

---

# APPROVAL SHEET

P/N : EP-CHUPSMTDINLP

---

---

# CONTENTS

1. COMPONENTS LIST , DESCRIPTION & PHOTO OF PRODUCT.....	3
1.1 COMPONENTS LIST .....	3
1.2 DESCRIPTION & PHOTO OF PRODUCT .....	4
2. CHARACTERISTICS .....	4
2.1 MECHANICAL CHARACTERISTICS.....	4
3. DRAWINGS: .....	5
3.1 AL PLATE.....	5
3.2 SCREW.....	6

---

## 1. COMPONENTS LIST, DESCRIPTION & PHOTO OF PRODUCT

### 1.1 COMPONENTS LIST

NO.	PART	SPEC/mm	QTY.	PAGE
1	AL PLATE	151X104X21	1	5
2	SCREW	MM3X6PM	3	6
3	SCREW	M2.5X8KM	4	7

---

## 1. DESCRIPTION & PHOTO OF PRODUCT



View

This thermal solution intends to be used for:  
Industrial Control

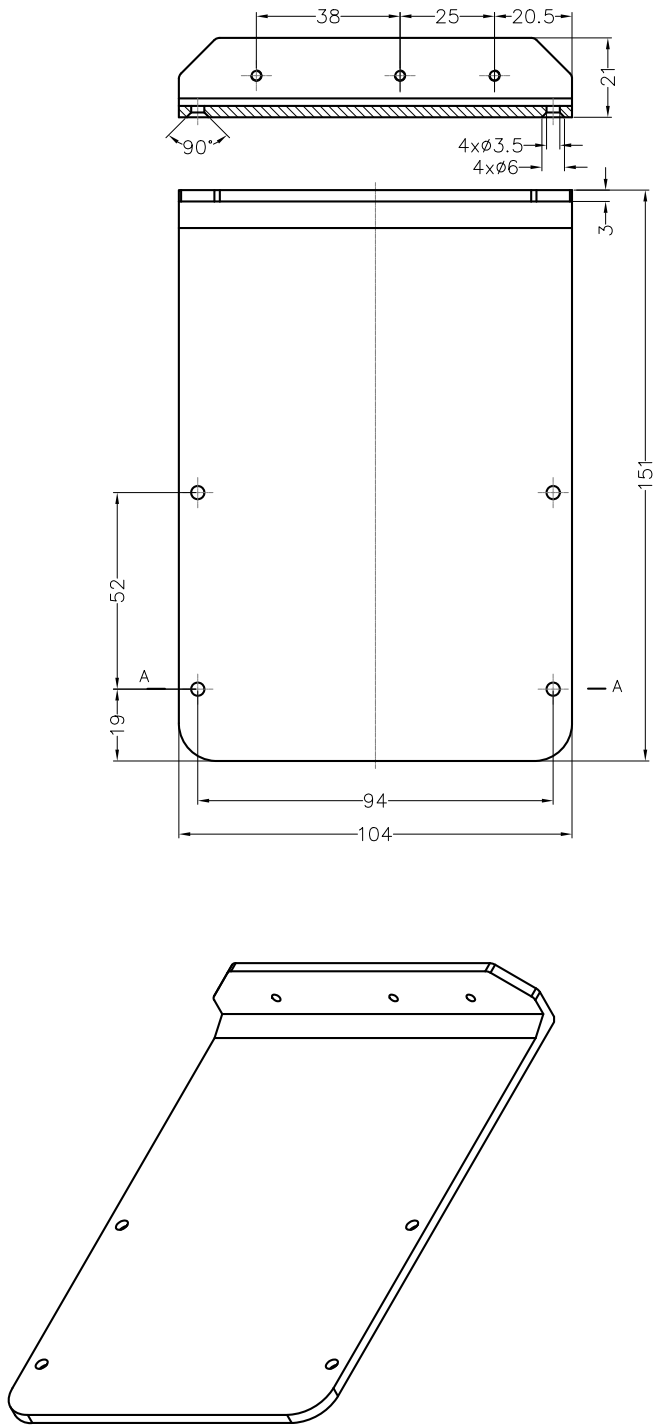
## 2. CHARACTERISTICS

### 2.1 MECHANICAL CHARACTERISTICS

AL PLATE Dimension	151X104X21
--------------------	------------

### 3.1 AL PLATE

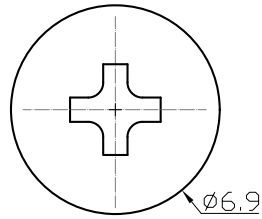
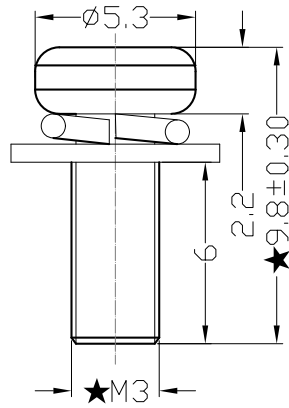
**GP**



Tolerance as below, unless otherwise specified										
DIMENSION	0.5~3	>3~6	>6~30	>30~120	>120~400	>400~1000				
TOLERANCE	±0.1	±0.2	±0.3	±0.5	±0.8					
DESIGN							MATERIAL	AL 1100	SCALE	1:2
PREPARED							MATERIAL CODE	1.01.050.2660	PAGE	1/1
CHECKED							P/N	AL PLATE UP2-L		
APPROVAL							DWG. NO.	1.01.050.2660		
MODIFICATION										
VER										
NAME										
DATE										
BEIJING DEEPCOOL INDUSTRIES CO., LTD										

**3.2 SCREW**

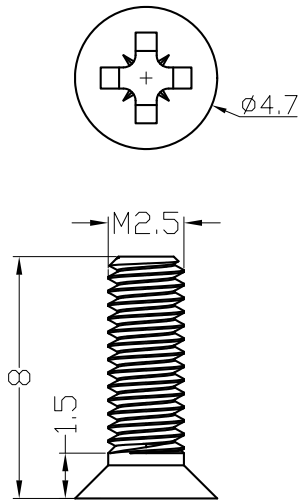
**GP**



										Tolerance as below, unless otherwise specified	
DIMENSION	0.5~3	>3~6	>6~30	>30~120	>120~400	>400~1000					
TOLERANCE	±0.1	±0.1	±0.2	±0.3	±0.5	±0.8					
	DESIGN			MATERIAL	SAE 1018	SCALE	4:1				
	PREPARED	LI XIN 2017/11/30		MATERIAL CODE		PAGE	1/1				
	CHECKED			P/N	SCREW M3X6PM						
	APPROVAL			DWG. NO.							
MODIFICATION	VER	NAME	DATE	BEIJING DEEPCOOL INDUSTRIES CO., LTD							

**3.2 SCREW**

**GP**



DIMENSION		Tolerance as below, unless otherwise specified										
TOLERANCE		0.5~3	>3~6	>6~30	>30~120	>120~400	>400~1000					
		±0.1	±0.1	±0.2	±0.3	±0.5	±0.8	DESIGN	MATERIAL	SAE 1018	SCALE	4:1
								PREPARED	LI XIN 2017/11/30	MATERIAL CODE	PAGE	1/1
								CHECKED		P/N	SCREW M2.5X8KM	
								APPROVAL		DWG. NO.		
MODIFICATION	VER	NAME	DATE	BEIJING DEEPCOOL INDUSTRIES CO., LTD								