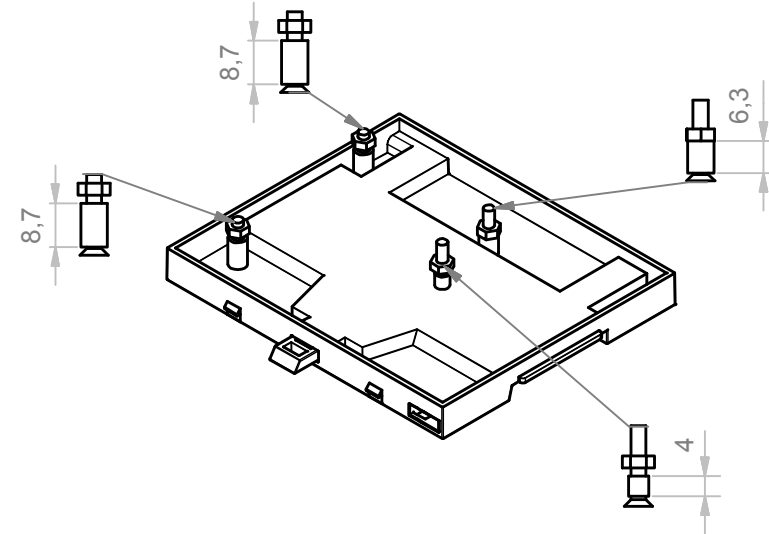
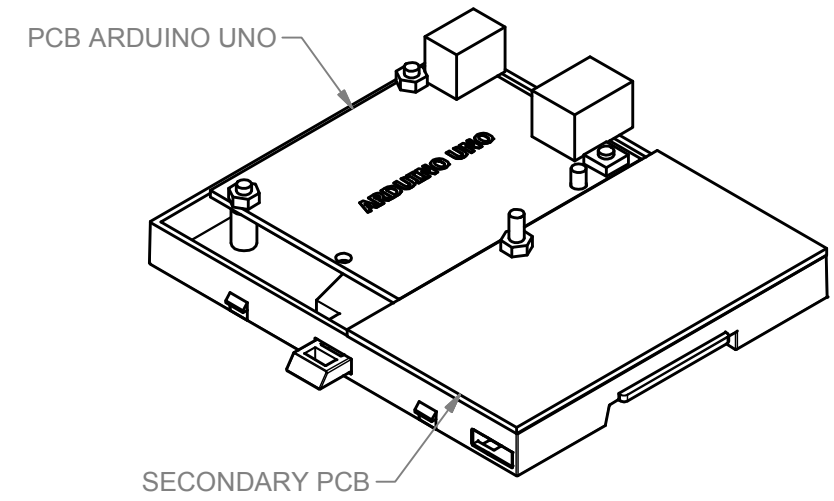
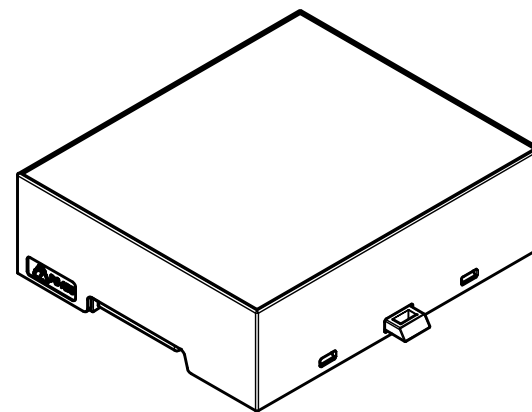
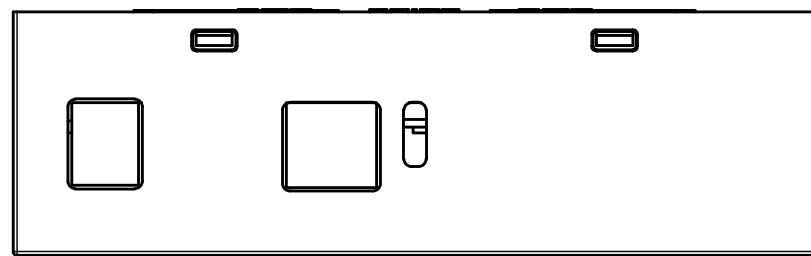
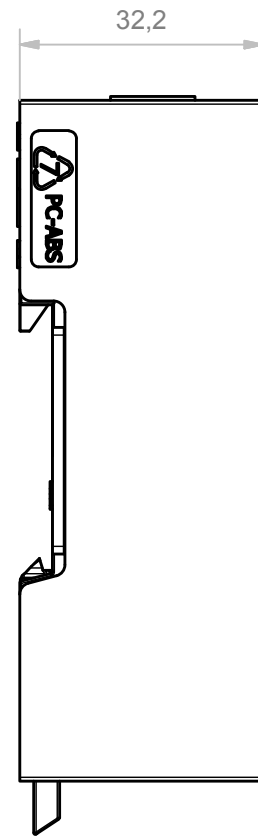
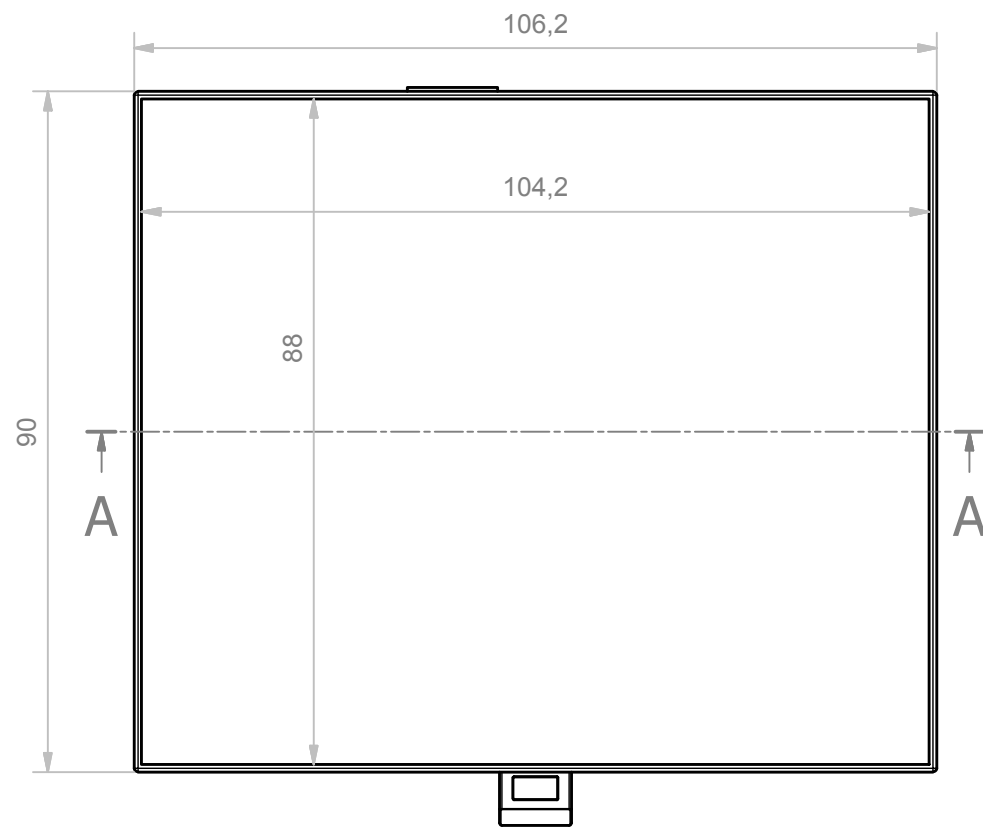
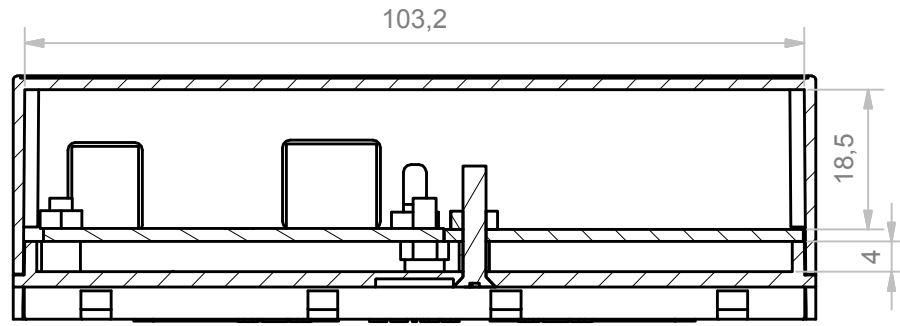


A-A (1:1)



RIF.	Q.TY	DESCRIPTION	CODE
1	1	HOOK MODULBOX LONG	M-01900
2	1	BASE 6M XT ARDUINO	M-05634
3	2	SPACER ROUND 5 X 3.2 X 8.7 PLASTIC	PM10012030
4	4	NUT M3X0.5 PLASTIC	PM10012026
5	4	SCREW TS M3X16 PLASTIC	PM10012027
6	1	SPACER ROUND 5 X 3.2 X 4 PLASTIC	PM10012031
7	1	SPACER ROUND 5 X 3.2 X 6.3 PLASTIC	PM10012032
8	1	BODY 6MC33-C XTS ARDUINO UNO	M-06459

RESERVED PROPERTY: The present drawing cannot be reproduced or communicated to 3d parties, even partially, without the authorization of ITALTRONIC Srl. Italtronic reserves to protect its own rights according to the law.

GENERAL TOLERANCE	UNI EN 22768/1 Media (m)	Drawn:	Checked:	Revision description
SHEET NR.	1 / 1	Rigato N.	Fanin F.	Scale: 1 : 1
Dimension in mm		Date:	Replace nr.	Part number:
DRAWING BY		18/01/2017		
Manual modification are not allowed		Denomination:		
		KIT 6MC33-C XTS COMPACT ARDUINO UNO E 101		
		Drawing nr.		
UN PARTNER PER IL FUTURO		ITALTRONIC S.R.L.		M-06460-00
www.italtronic.com		VIA AUSTRIA 25/D 35127 PADOVA - ITALY		