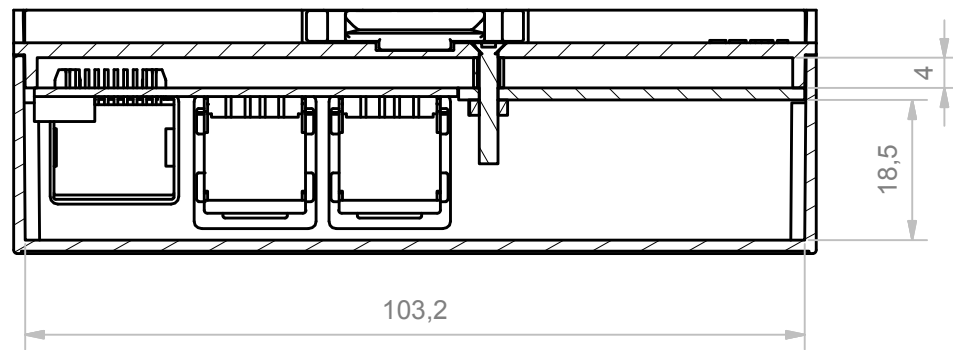


A-A (1:1)



RIF.	Q.TY	DESCRIPTION	CODE
1	3	NUT M2.5X0.45 PLASTIC	PM10012028
2	3	SCREW TS M2.5X16 PLASTIC	PM10012029
3	1	HOOK MODULBOX LONG	M-01900
4	1	SPACER ROUND 5 X 3.2 X 8.7 PLASTIC	PM10012030
5	2	SPACER ROUND 5 X 3.2 X 4 PLASTIC	PM10012031
6	1	BASE 6M XT ODROID C1	M-05853
7	1	BODY 6MC33-C XTS ODROID C1+	M-06465

RESERVED PROPERTY: The present drawing cannot be reproduced or communicated to 3d parties, even partially, without the authorization of ITALTRONIC Srl. Italtronic reserves to protect its own rights according to the law.

GENERAL TOLERANCE	<b>UNI EN 22768/1 Media (m)</b>	Drawn:	Checked:	Revision description
SHEET NR.	1 / 1	DRAWING BY	Rigato N.	Fanin F.
	Dimension in mm	Manual modification are not allowed	Date:	Replace nr.
			18/01/2017	Part number:
Denomination:		KIT 6M XTS COMPACT ODROID C1+		
		ITALTRONIC S.R.L.		Drawing nr.
UN PARTNER PER IL FUTURO		VIA AUSTRIA 25/D 35127 PADOVA - ITALY		M-06856-00
www.italtronic.com				