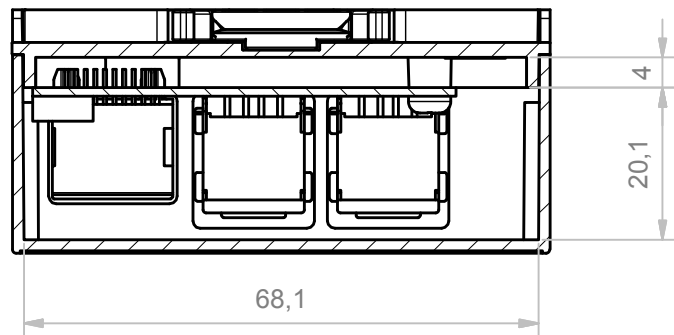


A-A (1:1)



RIF.	Q.TY	DESCRIPTION	CODE
1	1	BASE 4M XT RASPBERRY B+/A+/ODROID	M-05556
2	2	SCREW 2.9X6.5 d TRUNC	PM10012021
3	1	HOOK MODULBOX LONG	M-01900
4	1	BODY 4MC33-C XTS COMPACT ODROID C1+	M-06463

RESERVED PROPERTY: The present drawing cannot be reproduced or communicated to 3d parties, even partially, without the authorization of ITALTRONIC Srl. Italtronic reserves to protect its own rights according to the law.

GENERAL TOLERANCE	UNI EN 22768/1 Media (m)	Drawn:	Checked:	Revision description
SHEET NR.	Dimension in mm	DRAWING BY	Rigato N.	Fanin F.
1 / 1		 Manual modification are not allowed	Date: 18/01/2017	Replace nr.
Denomination:		KIT 4M XTS COMPACT ODROID C1+		
		 ITALTRONIC S.R.L. VIA AUSTRIA 25/D 35127 PADOVA - ITALY www.italtronic.com		Drawing nr. M-06855-00