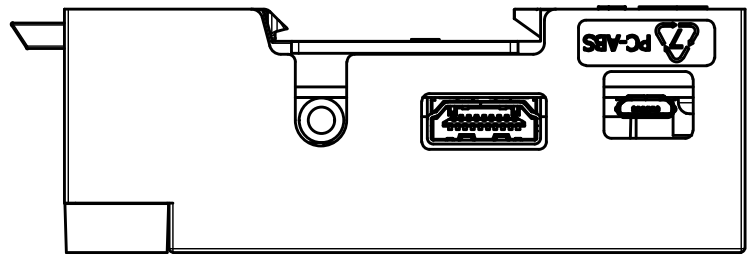
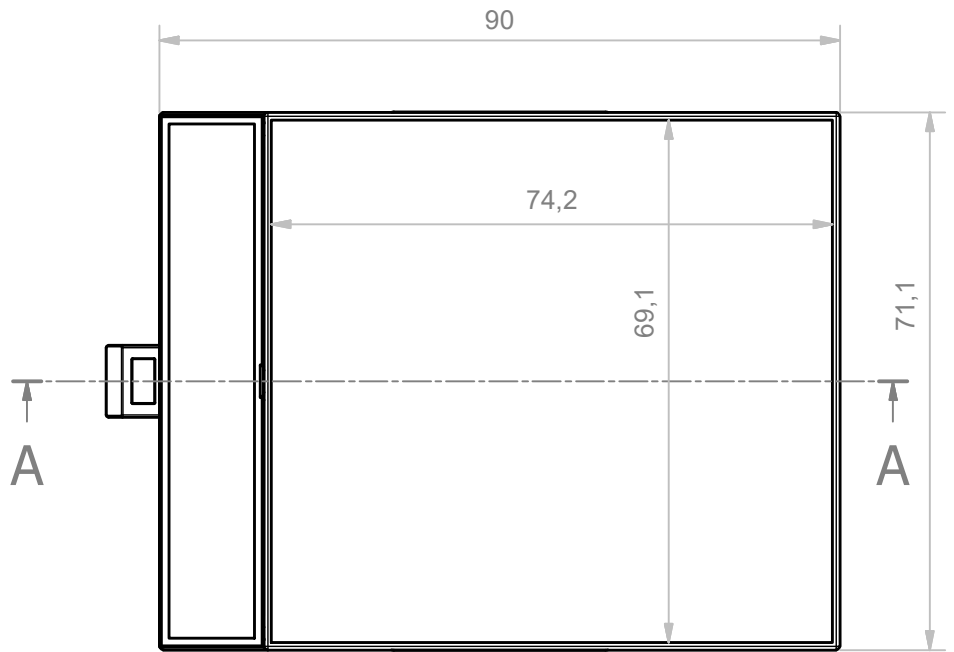
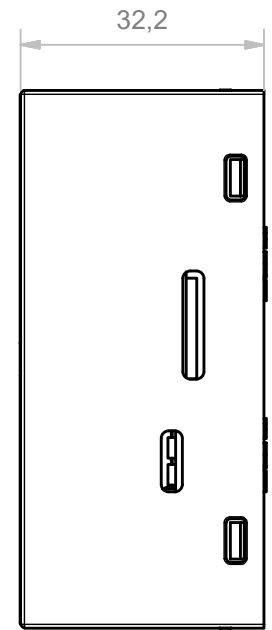
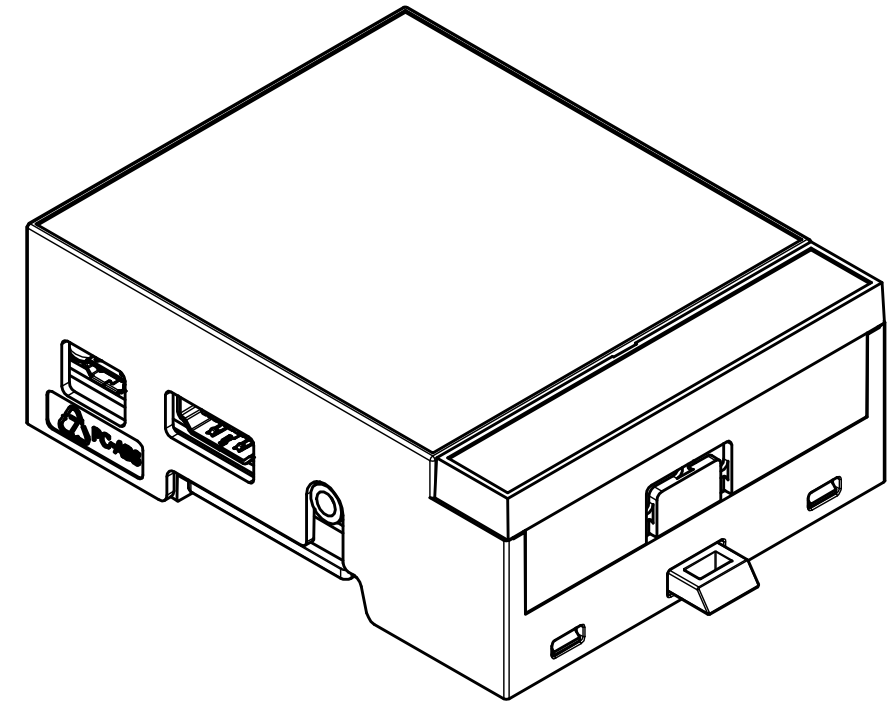
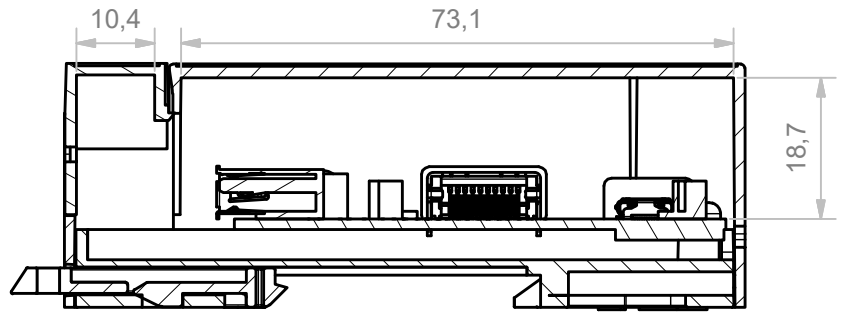


A-A (1:1)



RIF.	Q.TY	DESCRIPTION	CODE
1	1	HOOK MODULBOX LONG	M-01900
2	1	BASE 4M XT RASPBERRY B+/A+/ODROID	M-05556
3	2	SCREW 2.9X6.5 d TRUNC	PM10012021
4	1	TERMINAL COVER 4MPN FOR RASPBERRY A+	M-05837
5	1	BODY 4MHC33-B XTS COMPACR RASPBERRY A+	M-05839

RESERVED PROPERTY: The present drawing cannot be reproduced or communicated to 3d parties, even partially, without the authorization of ITALTRONIC Srl. Italtronic reserves to protect its own rights according to the law.

GENERAL TOLERANCE	UNI EN 22768/1 Media (m)	Drawn:	Checked:	Revision description
SHEET NR.	1 / 1	Dimension in mm	Rigato N.	Fanin F.
DRAWING BY		Date:	Replace nr.	Part number:
GAP		19/12/2016		
Manual modification are not allowed		Denomination: Kit 4M XTS COMPACT Raspberry A+		
				Drawing nr.
UN PARTNER PER IL FUTURO www.italtronic.com		VIA AUSTRIA 25/D 35127 PADOVA - ITALY www.italtronic.com		M-06849-00

5 4 3 2 1

Scale: 1 : 1

Part number:

Replace nr.

Checked:

Drawn:

Revision description