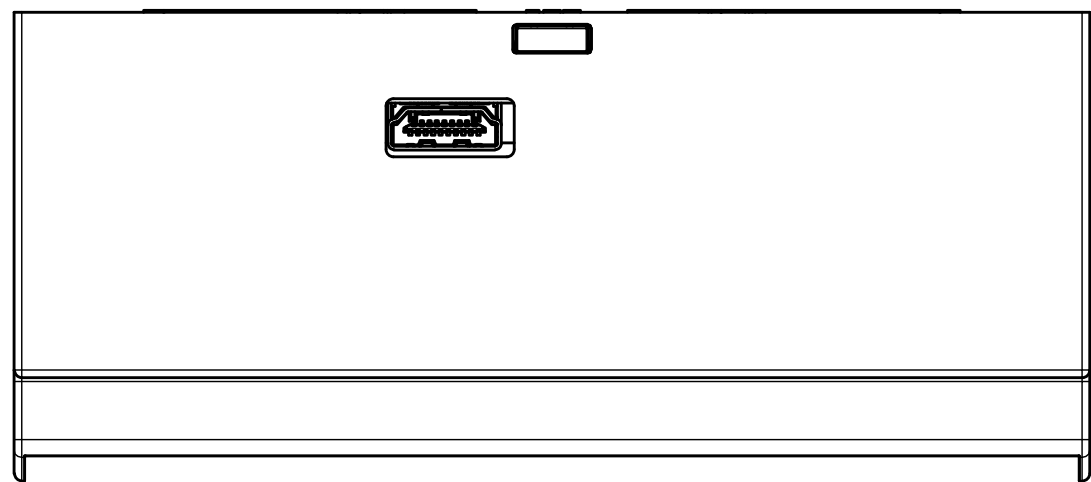
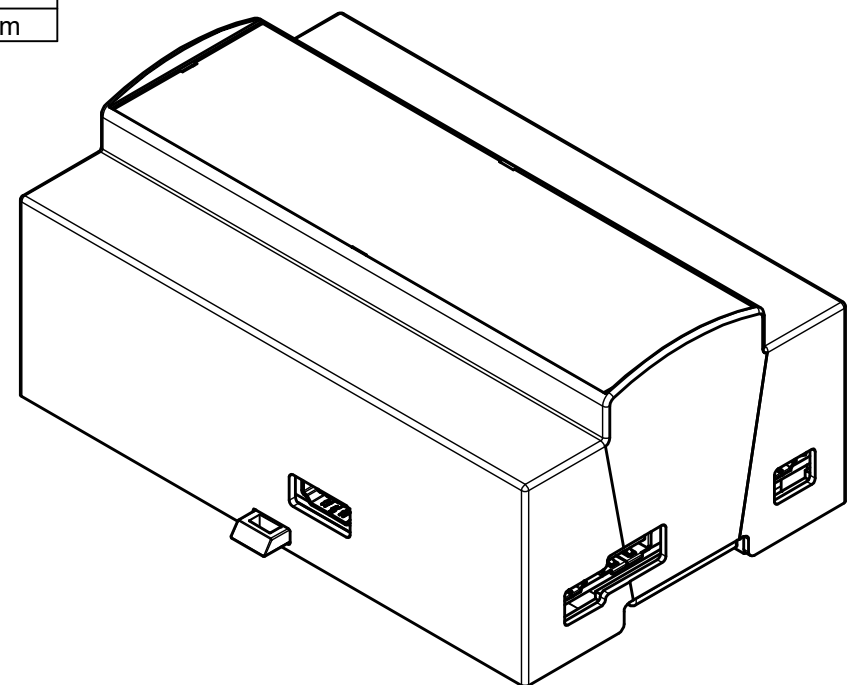
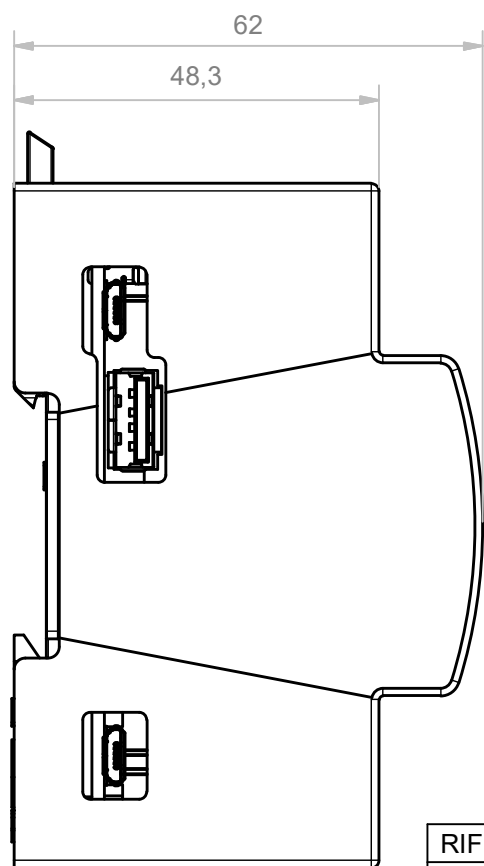
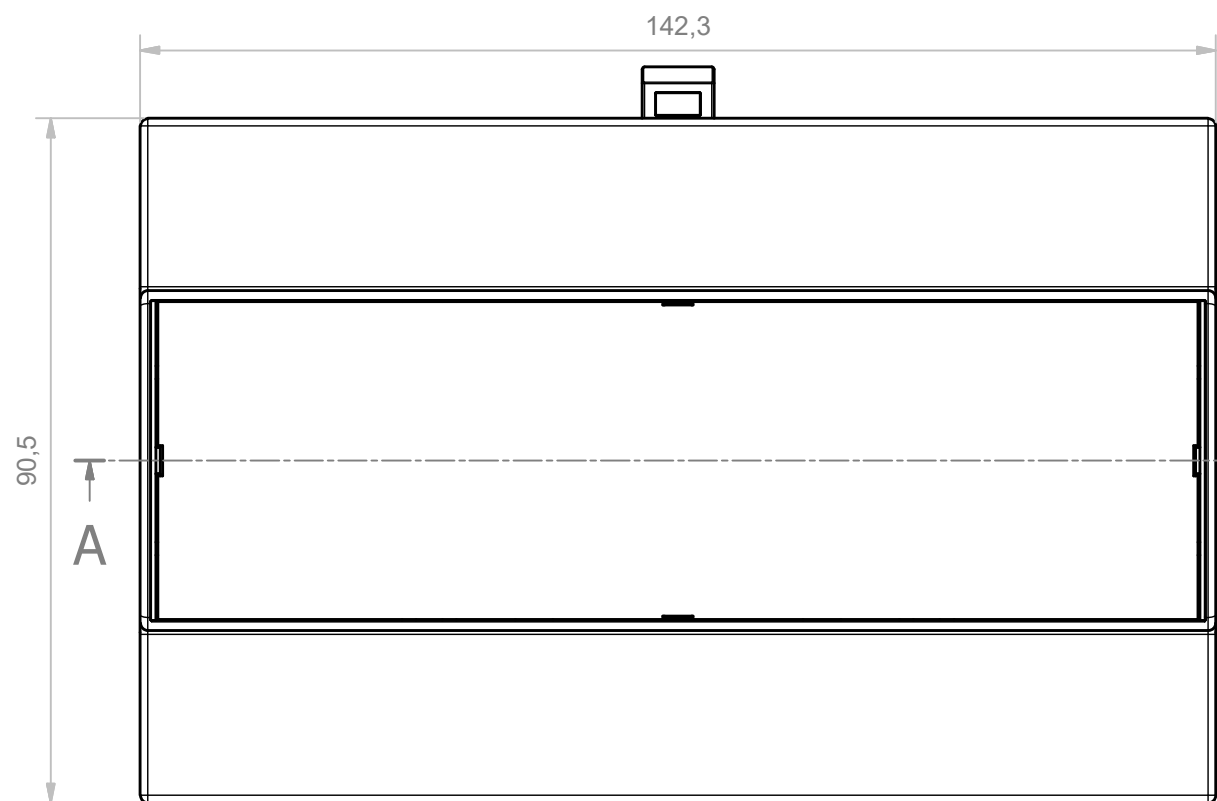
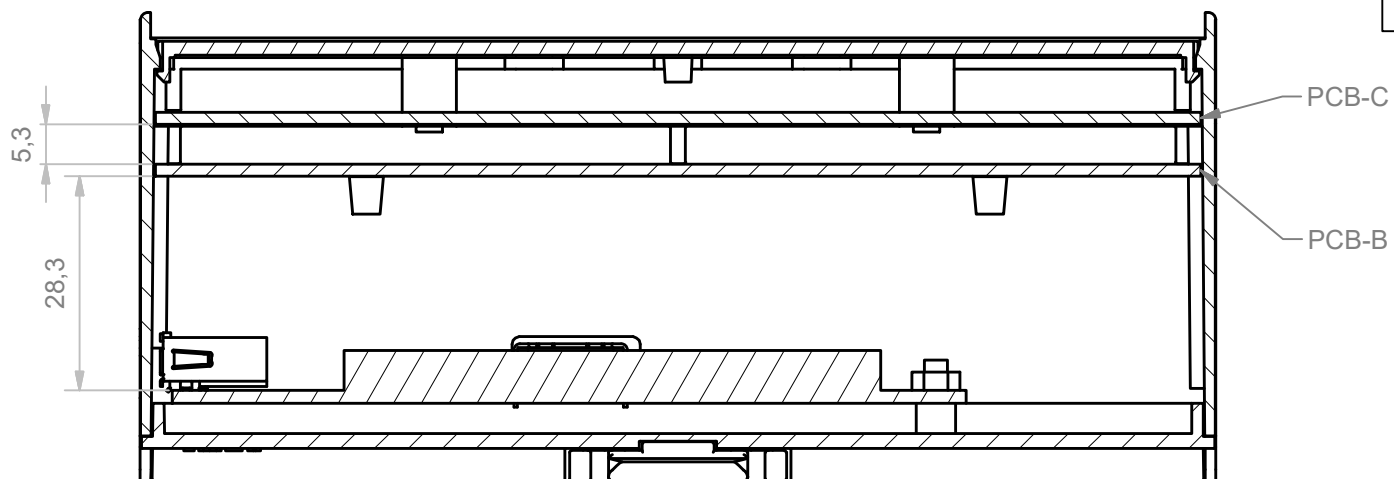


A-A (1:1)

PCB TYPE	PCB DIMENS	TOLERANCE
B	138,3 x 86,4	±0,1 mm
C	138,3 x 42,0	±0,1 mm



RIF.	Q.TY	DESCRIPTION	CODE
1	1	BASE 8M XT RASPBERRY COMPUTE MODULE	M-05562
2	1	BODY 8M53-C XTS RASPBERRY COMPUTE MODULE	M-05561
3	2	SCREW TS M3X16 PLASTIC	PM10012027
4	2	SPACER ROUND 5 X 3.2 X 8.7 PLASTIC	PM10012030
5	2	NUT M3X0.5 PLASTIC	PM10012026
6	1	PANEL 8M WITHOUT FRAME	M-02249
7	1	HOOK MODULBOX LONG	M-01900

RESERVED PROPERTY: The present drawing cannot be reproduced or communicated to 3d parties, even partially, without the authorization of ITALTRONIC Srl. Italtronic reserves to protect its own rights according to the law.

GENERAL TOLERANCE	<b>UNI EN 22768/1 Media (m)</b>	Drawn:	Checked:	Revision description
SHEET NR.	1 / 1	DRAWING BY	Rigato N.	Dalla Montà D.
	Dimension in mm	Manual modification are not allowed	Date:	Replace nr.
			06/10/2014	Part number:

	Denomination:	Kit 8M Raspberry Pi Compute Module
		Drawing nr.

5 4 3 2 1

Revision description

Scale:

Part number:

**ITALTRONIC S.R.L.**  
 VIA AUSTRIA 25/D 35127  
 PADOVA - ITALY  
[www.italtronic.com](http://www.italtronic.com)