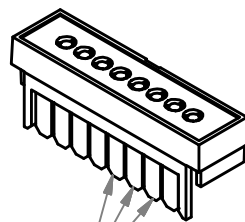
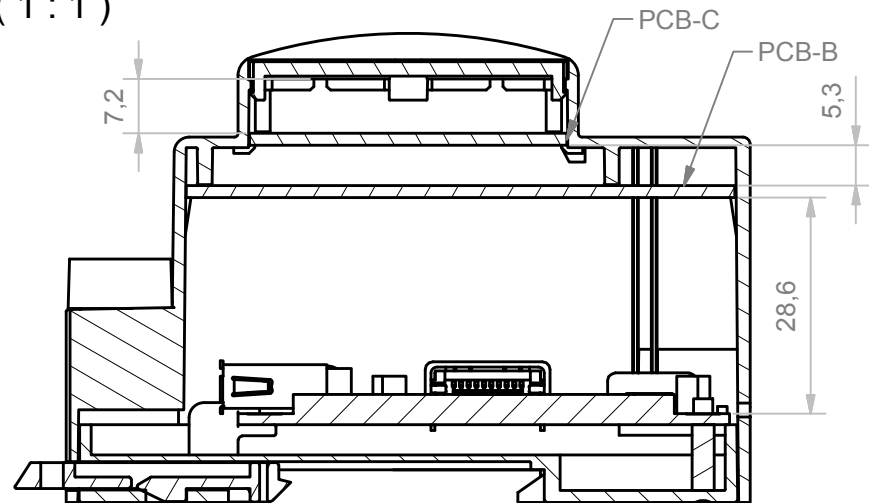
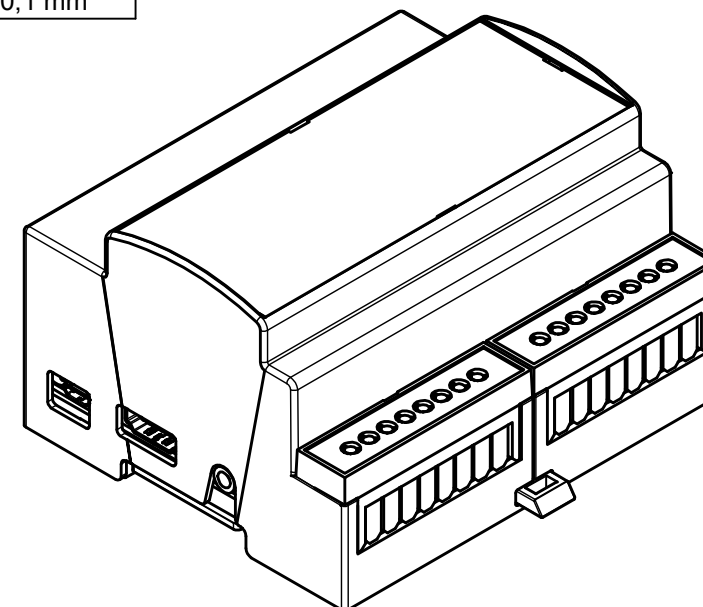


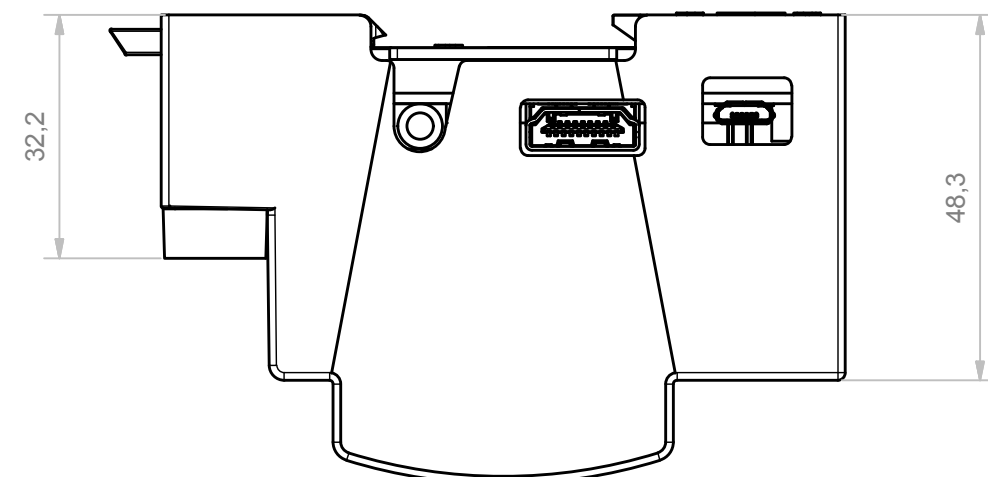
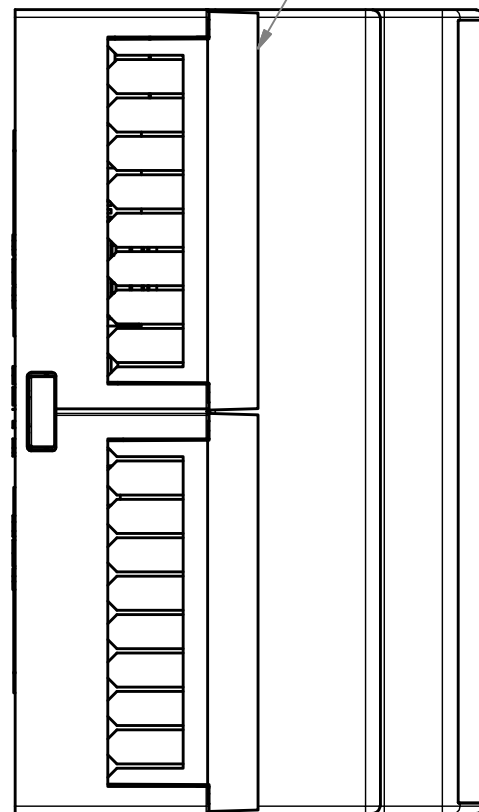
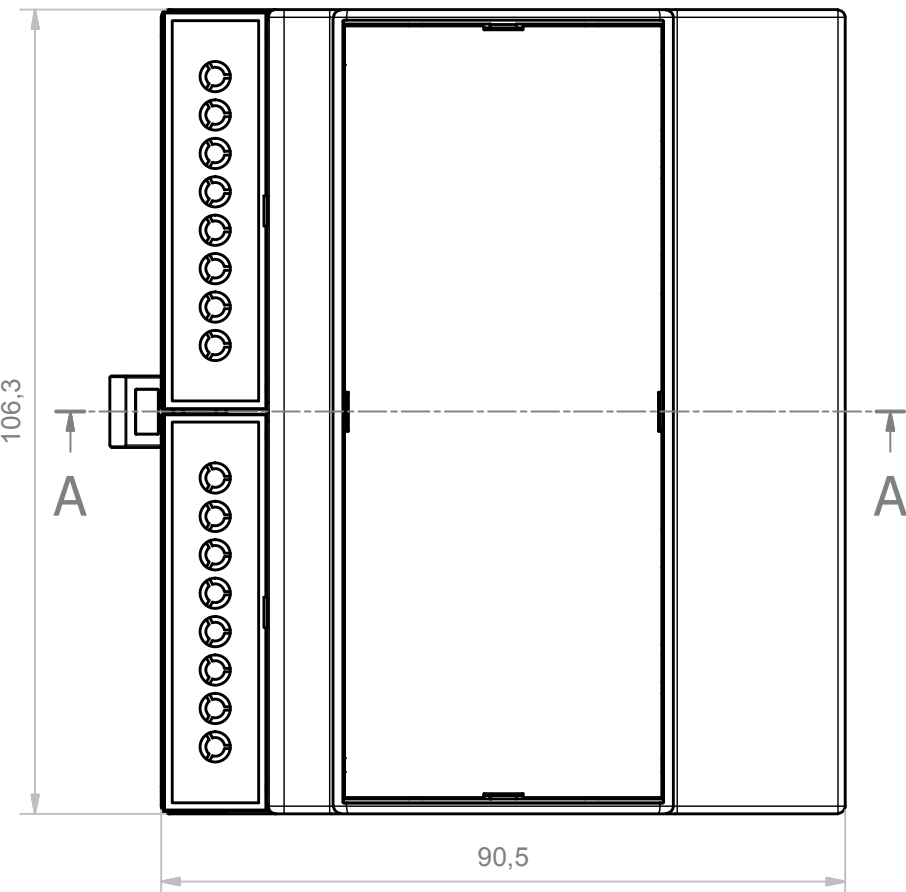
A-A (1:1)



break to insert the USB cable



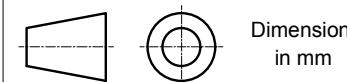
| PCB TYPE | PCB DIMENS | TOLERANCE |
|----------|------------|-----------|
| B | 102.5X72.6 | ±0,1 mm |
| C | 102.1X42.0 | ±0,1 mm |



| COMPONENTS LIST | | | | | | |
|-----------------|------|---|------------------|-------------------|---------------------|-----------|
| RIF. | Q.TY | DESCRIPTION | CODE | | | |
| 1 | 2 | DADO M2.5X0.45 PLASTICA - NUT M2.5X0.45 PLASTIC | PM10012028 | | | |
| 2 | 2 | VITE TS M2.5X16 PLASTICA - SCREW TS M2.5X16 PLASTIC | PM10012029 | | | |
| 3 | 1 | AGGANCIAMENTO MODULBOX LUNGO- HOOK MODULBOX LONG | P05990002A | | | |
| 4 | 1 | PANNELLO 6M SENZA CORNICE - PANEL 6M WITHOUT FRAME | M-00155 | | | |
| 5 | 1 | DISTANZIALE TONDO 5 X 3.2 X 8.7 PLASTICA - SPACER ROUND 5 X 3.2 X 8.7 PLASTIC | PM10012030 | | | |
| 6 | 1 | DISTANZIALE TONDO 5 X 3.2 X 4 PLASTICA - SPACER ROUND 5 X 3.2 X 4 PLASTIC | PM10012031 | | | |
| 7 | 1 | Corpo 6MH53-B XTS Raspberry A+ - Body 6MH53-B XTS Raspberry A+ | M-05841 | | | |
| 8 | 2 | Coprimorsetto speciale 3M-CM061 - Special terminalcover 3M-CM061 | P05030261T | | | |
| 9 | 1 | Base 6M XT Raspberry A+ | M-05843 | | | |
| 10 | 1 | accessorio porta PCB Raspberry A+ - Accessory bear PCB Raspberry A+ | M-05857 | | | |
| 11 | 1 | vite 2.9x9.5 tronca TS - Screw 2.9x9.5 cut off TS | PM10012018 | | | |
| | | Da 0,5 a 3 | Oltre 3 fino a 6 | Oltre 6 fino a 30 | Oltre 30 fino a 120 | Oltre 120 |
| | | ± 0,1 | ± 0,1 | ± 0,2 | ± 0,3 | ± 0,5 |

RESERVED PROPERTY

The present drawing cannot be reproduced or communicated to 3d parties, even partially, without the authorization of ITALTRONIC Srl. Italtronic reserves to protect its own rights according to the law.



SHEET NR.
1 / 1

DRAWING BY
GAD
Manual modification are not allowed

GENERAL TOLERANCE
UNI EN 22768/1
Media (m)

5 4 3 2 1

Date: 10/02/2015
Drawed: Rigato N.
Checked: Dalla Montà D.

Replace nr.
Scale:
Revision description



Denomination:
Kit 6M XTS Raspberry A+

ITALTRONIC S.R.L.
VIA AUSTRIA 25/D 35127
PADOVA - ITALY
www.italtronic.com

Drawing nr.
M-05856-00