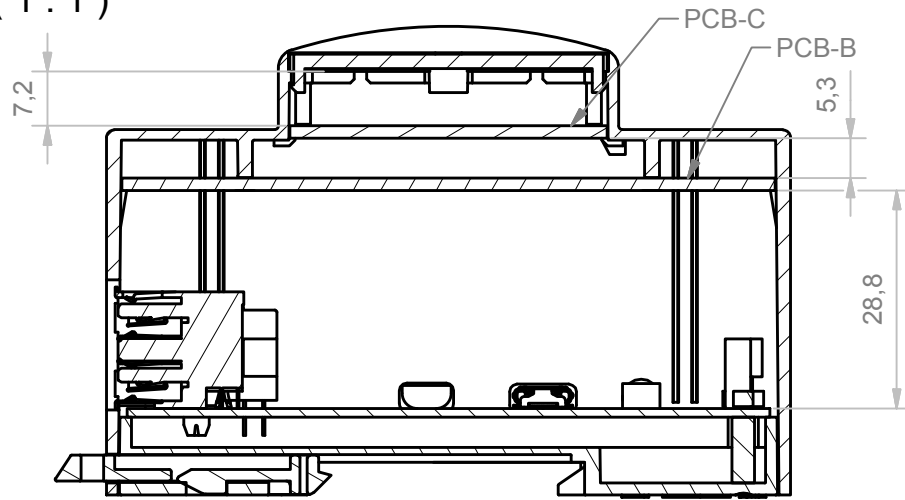
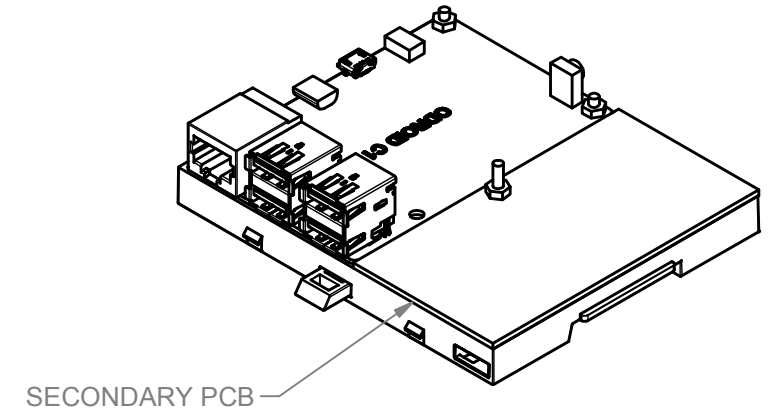
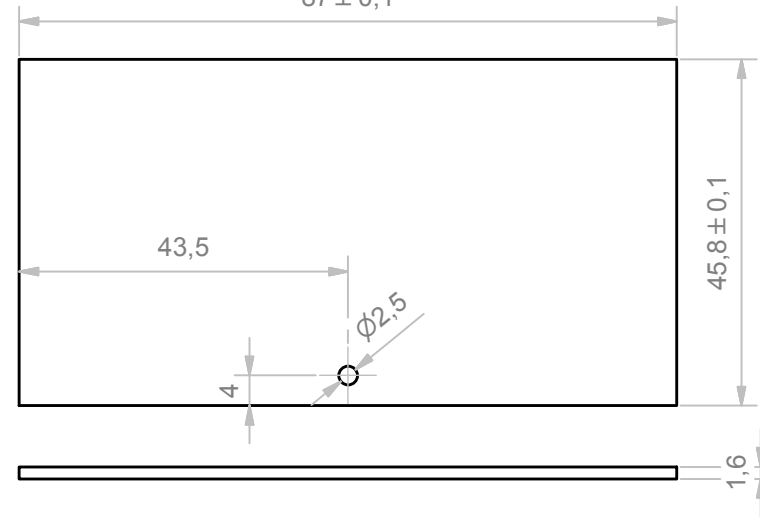


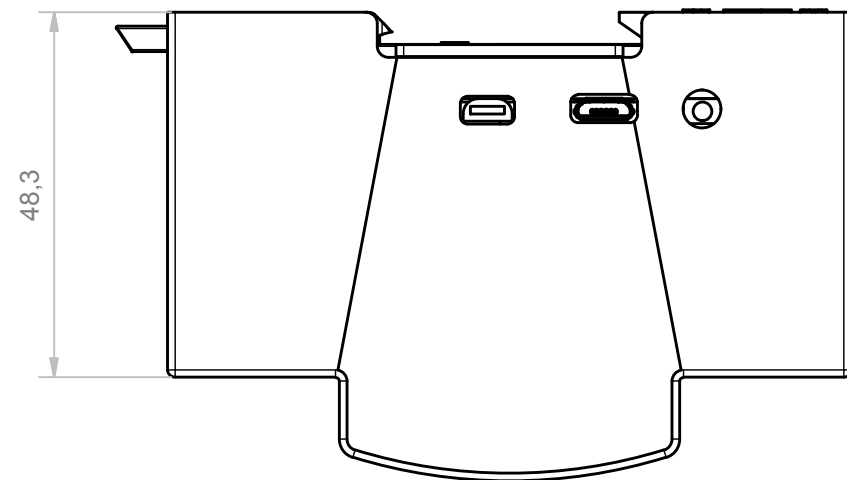
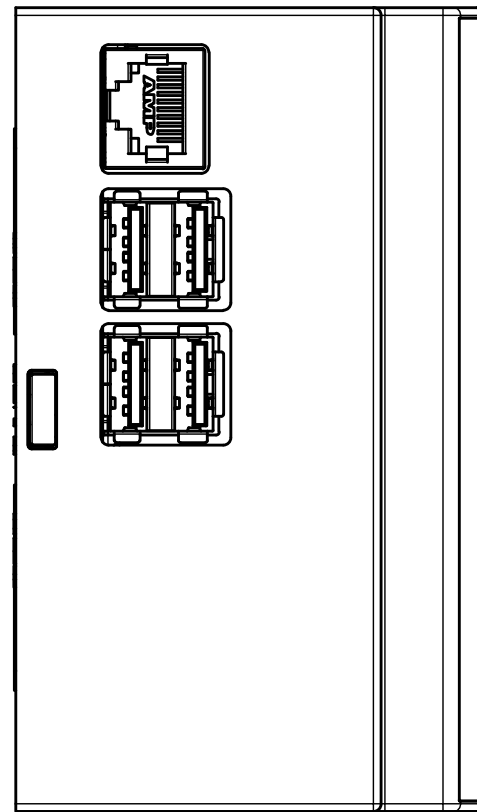
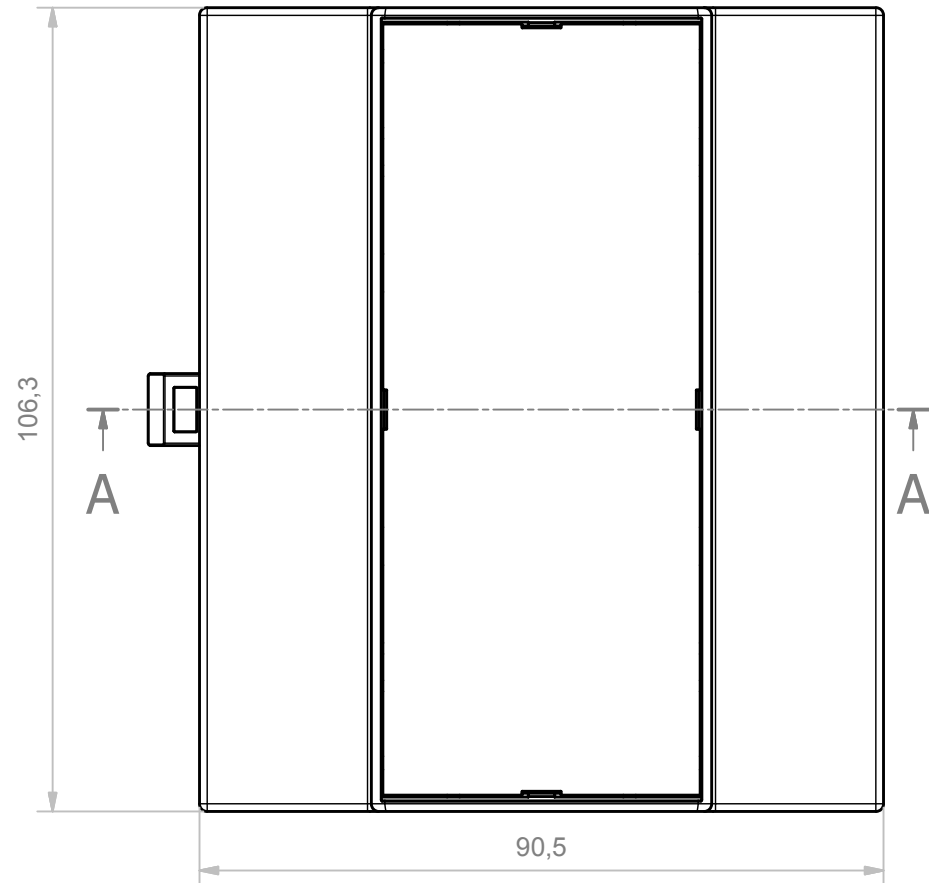
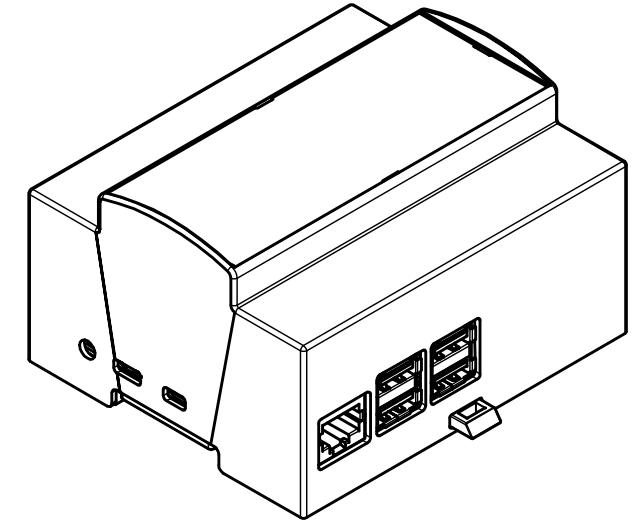
A-A (1:1)



SECONDARY PCB  
87 ± 0,1



SECONDARY PCB



PCB TYPE	PCB DIMENS	TOLERANCE
B	102,5 x 86,4	+/- 0.1 mm
C	102,1 x 42,0	+/- 0.1 mm

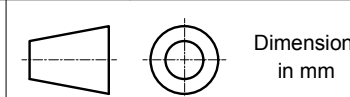
COMPONENTS LIST

RIF.	Q.TY	DESCRIPTION	CODE
1	3	DADO M2.5X0.45 PLASTICA - NUT M2.5X0.45 PLASTIC	PM10012028
2	3	VITE TS M2.5X16 PLASTICA - SCREW TS M2.5X16 PLASTIC	PM10012029
3	1	AGGANCIO MODULBOX LUNGO- HOOK MODULBOX LONG	P05990002A
4	1	PANNELLO 6M SENZA CORNICE - PANEL 6M WITHOUT FRAME	M-00155
5	1	DISTANZIALE TONDO 5 X 3.2 X 8.7 PLASTICA - SPACER ROUND 5 X 3.2 X 8.7 PLASTIC	PM10012030
6	2	DISTANZIALE TONDO 5 X 3.2 X 4 PLASTICA - SPACER ROUND 5 X 3.2 X 4 PLASTIC	PM10012031
7	1	Corpo 6M53-C XTS Odroid C1 - Body 6M53-C XTS Odroid C1	M-05850
8	1	Base 6M XT Odroid C1	M-05853

Da 0,5 a 3	Oltre 3 fino a 6	Oltre 6 fino a 30	Oltre 30 fino a 120	Oltre 120
± 0,1	± 0,1	± 0,2	± 0,3	± 0,5

RESERVED PROPERTY

The present drawing cannot be reproduced or communicated to 3d parties, even partially, without the authorization of ITALTRONIC Srl. Italtronic reserves to protect its own rights according to the law.



SHEET NR.  
1 / 1

DRAWING BY  
GAD  
Manual modification are not allowed

GENERAL TOLERANCE  
**UNI EN 22768/1**  
**Media (m)**

Date: 10/02/2015

Replace nr.

Drawed: Rigato N.

Checked: Dalla Montà D.

Scale:

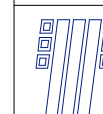
Revision description

5 4 3 2 1



Denomination:

Kit 6M XTS Odroid C1



**ITALTRONIC S.R.L.**  
VIA AUSTRIA 25/D 35127  
PADOVA - ITALY  
www.italtronic.com

Drawing nr.

**M-05858-00**