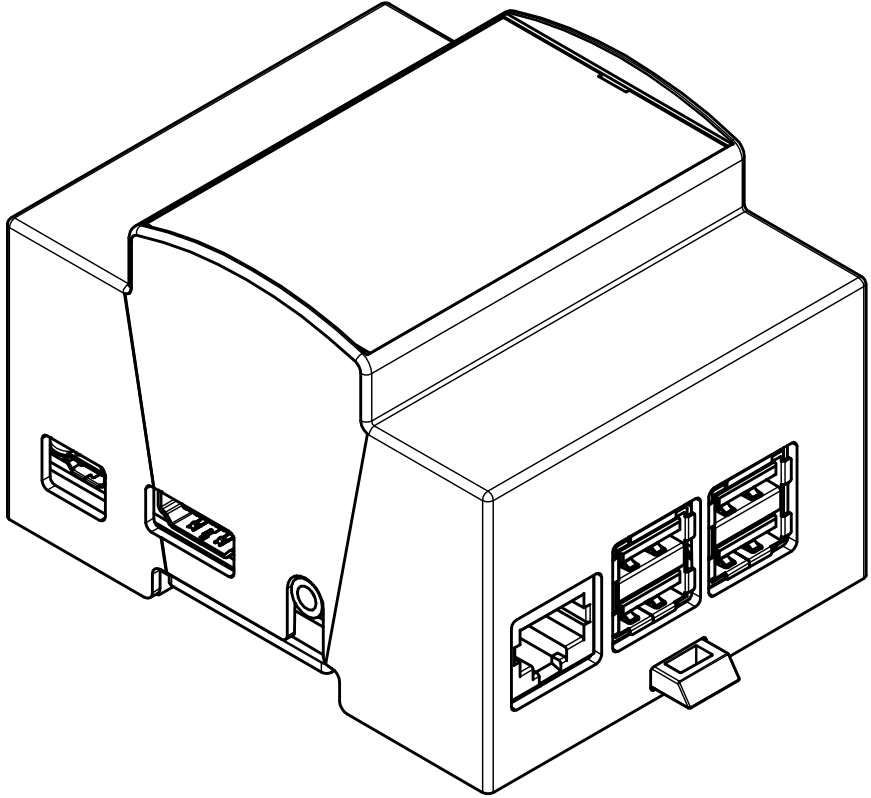


COMPONENTS LIST

PCB TYPE	PCB DIMENS	TOLERANCE
B	67.6X86.4	±0,1 mm
C	67.4X42.0	±0,1 mm



COMPONENTS LIST

RIF.	Q.TY	DESCRIPTION	CODE
1	1	Corpo 4M53-C XTS Raspberry PiB+ - Body 4M53-C XTS Raspberry PiB+	M-05555
2	1	Base 4M XT Raspberry B+	M-05556
3	1	AGGANCIAMENTO MODULBOX - HOOK MODULBOX	M-01900
4	1	PANNELLO 4M SENZA CORNICE - PANEL 4M WITHOUT FRAME	M-00346
5	2	VITE d 2.9X6.5 TRONCA - SCREW 2.9X6.5 d TRUNC	

Da 0,5 a 3	Oltre 3 fino a 6	Oltre 6 fino a 30	Oltre 30 fino a 120	Oltre 120
± 0,1	± 0,1	± 0,2	± 0,3	± 0,5

RESERVED PROPERTY The present drawing cannot be reproduced or communicated to 3d parties, even partially, without the authorization of ITALTRONIC Srl. Italtronic reserves to protect its own rights according to the law.	Dimension in mm	SHEET NR.	DRAWING BY	GENERAL TOLERANCE
		1 / 1	Manual modification are not allowed	UNI EN 22768/1 Media (m)
Drawn: Rigato N.	Checked: Dalla Montà D.	Date: 06/10/2014	Replace nr.	Revision description

Denomination: **Kit 4M Raspberry Pi B+**

Plastic+
UN PARTNER PER IL FUTURO **Group**

ITALTRONIC S.R.L.
VIA AUSTRIA 25/D 35127 PADOVA - ITALY
www.italtronic.com

Drawing nr. **M-05636-01**

Aggiunto tabella componenti list. 04/12/2014 Rigato N.

5 4 3 2 1