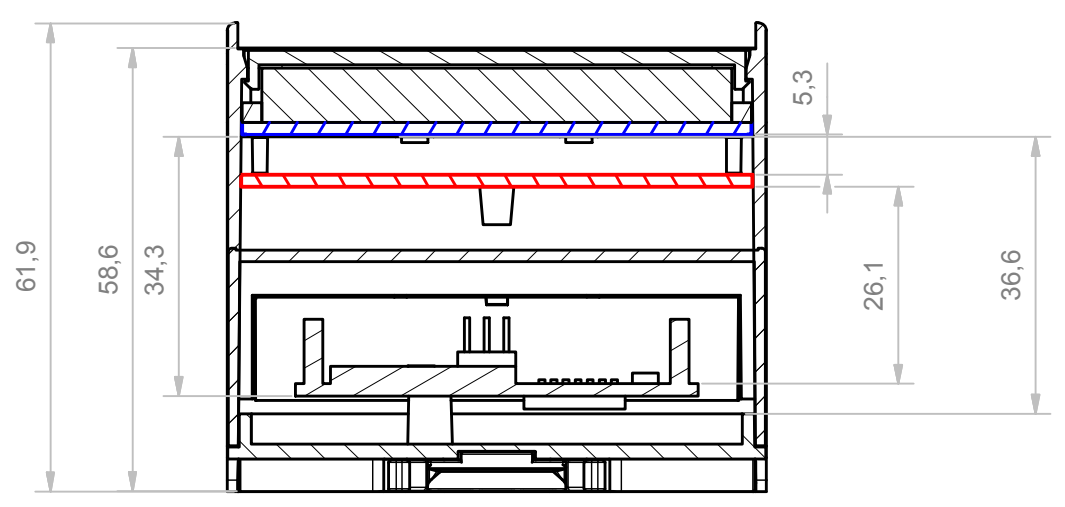
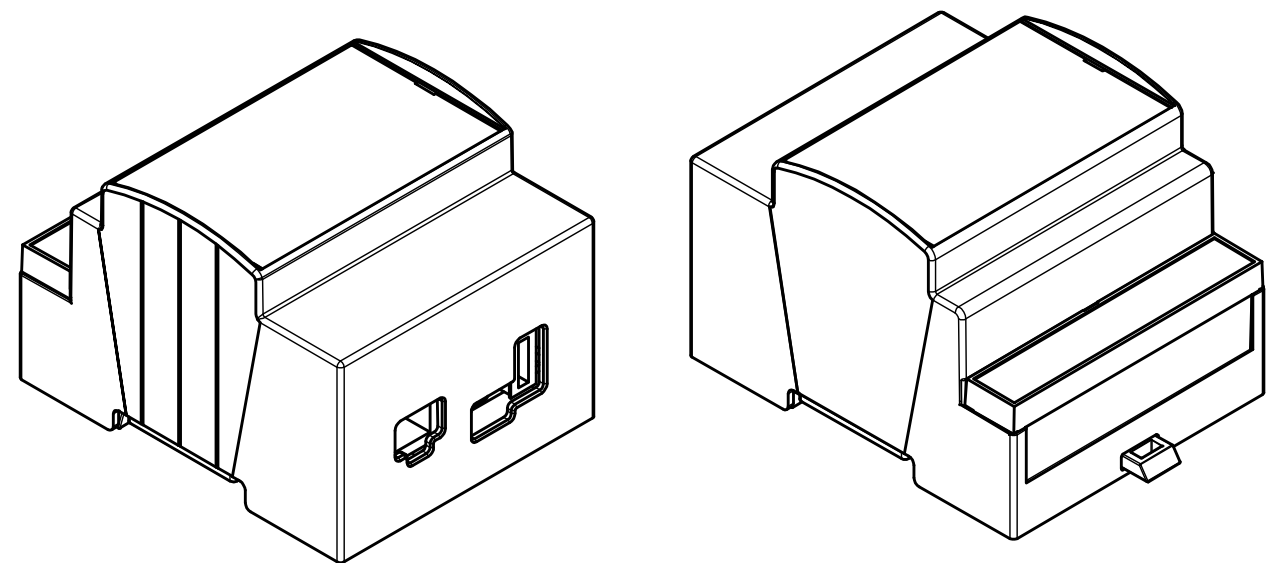


A-A

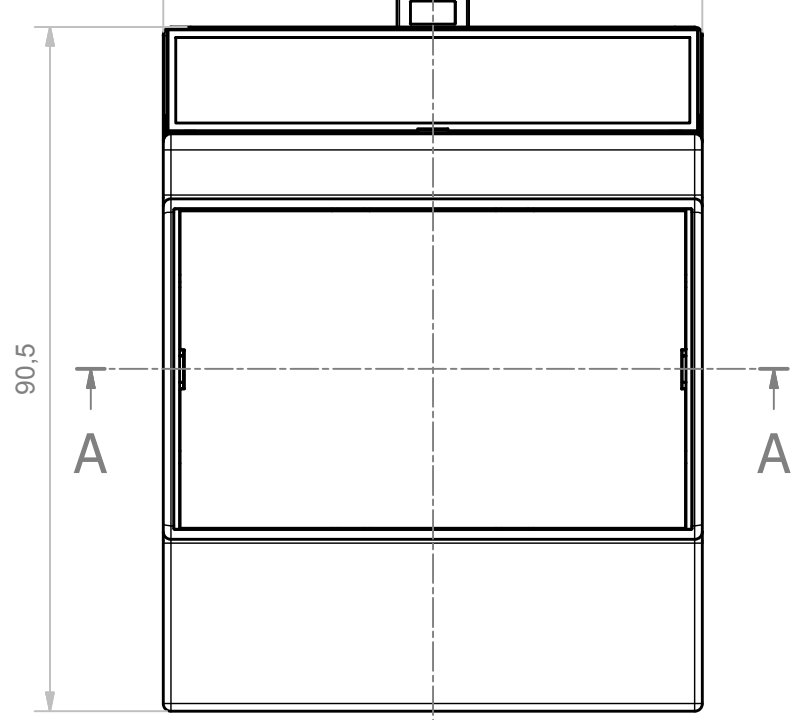


COMPONENTS LIST		
PCB TYPE	PCB DIMENS	TOLERANCE
B	67.6X72.6	±0,1 mm
C	67.4X42.0	±0,1 mm

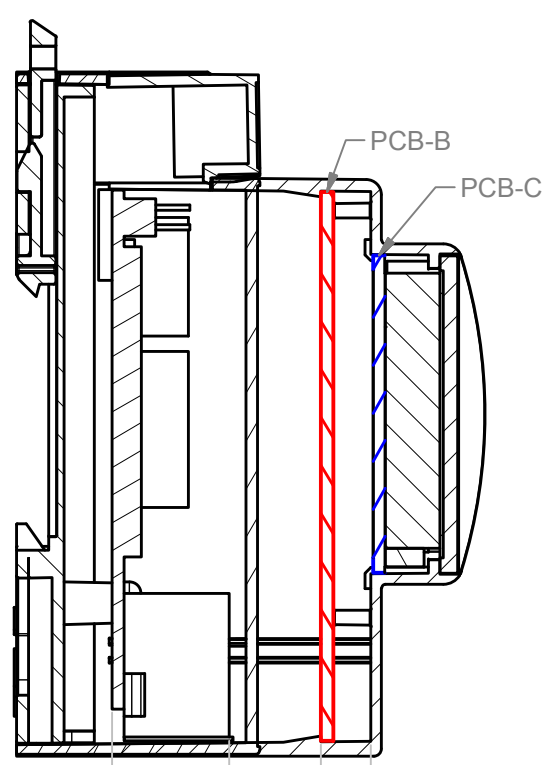


71,3

B



B-B



COMPONENTS LIST

RIF.	Q.TY	DESCRIPTION	CODE
1	1	CORPO 4M53-B XTS ARDUINO YUN - BODY 4M53-B XTS ARDUINO YUN	M-05214
2	1	BASE 4M XT ARDUINO	M-05215
3	1	PANNELLO 4M SENZA CORNICE - PANEL 4M WITHOUT FRAME	M-00346
4	1	AGGANCIO MODULBOX LUNGO- HOOK MODULBOX LONG	P05990002A
5	1	COPRIMORSETTO 4MPN - TERMINAL COVER 4MPN	M-00219
6	3	VITE d 2.9X6.5 TRONCA - SCREW 2.9X6.5 d TRUNC	PM10012021

Da 0,5 a 3	Oltre 3 fino a 6	Oltre 6 fino a 30	Oltre 30 fino a 120	Oltre 120
± 0,1	± 0,1	± 0,2	± 0,3	± 0,5

RESERVED PROPERTY
The present drawing cannot be reproduced or communicated to 3d parties, even partially, without the authorization of ITALTRONIC Srl. Italtronic reserves to protect its own rights according to the law.

Date: 27/02/2014

Drawed: Rigato N. Checked: Dalla Montà D.

SHEET NR. 1 / 1

DRAWING BY GAD

Manual modification are not allowed

GENERAL TOLERANCE UNI EN 22768/1 Media (m)

Scale:

Revision description

Denomination: Modulbox 4M Arduino Yun

Modulbox 4M Arduino Yun

UN PARTNER PER IL FUTURO **Plastic+** Group

PLASTIC+ eternovica Italtronic

ITALTRONIC S.R.L.
VIA AUSTRIA 25/D 35127 PADOVA - ITALY
www.italtronic.com

Drawing nr. M-05341-01

Aggiunto quote. 03/12/2014 Rigato N.

5 4 3 2 1