



Pololu Wheel 60x8mm Pair - Red



60x8mm wheel with tire removed.

Description

These wheels are designed to press-fit securely onto the 3mm D output shafts on many of our gearmotors, including our micro metal gearmotors and our plastic gearmotors with 3mm D-shafts. They also work with our 35:1 and 115:1 15.5D metal gearmotors, as well as with our selection of Solarbotics metal gear motors. The wheels have silicone tires and measure 60 mm (2.36") in diameter. Two additional mounting holes for 4-40 screws make it possible to use the wheel with our universal mounting hubs for 3mm shafts, 4mm shafts, and 5mm shafts. The slots in the five spokes allow additional accessories to be mounted to the wheel (e.g. decorations or parts of an encoder system).

The left picture below shows this wheel mounted to a 20D mm metal gearmotor with a universal mounting hub for 4mm shafts. The right picture below shows a slightly larger version of this wheel mounted to a micro metal gearmotor.



White Pololu 60x8mm wheel on a Pololu 20D mm metal gearmotor.



Black Pololu 70x8mm wheel on a Pololu micro metal gearmotor.

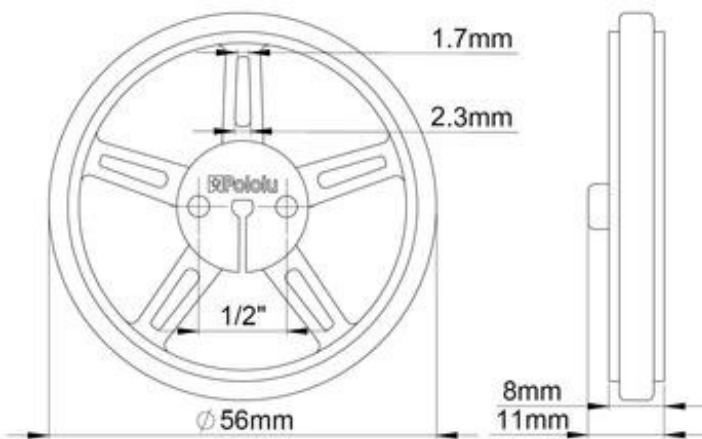
We have similar wheels available in different sizes and colors:



Pololu wheels with 90, 80, 70, 60, and 32mm diameters.



Pololu wheels with 90, 80, 70, and 60mm diameters in three colors: blue, red, and yellow.



Mechanical drawing of Pololu wheel 60×8mm without tire.



Pololu universal hub for 4mm shaft mounted to Pololu 60×8mm wheel.

[Documentation on producer website.](#)