

1. Apply Environmental Condition :

No.	Item	Specification
1-1	Storage Temperature Range	-20°C ~ 60°C
1-2	Operating Temperature Range	-10°C ~ 50°C
1-3	Operating Voltage Range	4.0V ~ 6.0V

2. Standard Test Environment :

2-1	Standard Test Environment	Every characteristic of the inspect must be normal temperature and humidity carry out the test , temperature 25±5°C and relative humidity 65±10% of judgment made in accordance with this specification standard testing conditions.
-----	---------------------------	--

3. Appearance Inspection :

No.	Item	Specification
3-1	Outline Drawing	Dimension see the last page
3-2	Appearance	No damage which affects functions allowed

4. Electrical Specification (Function of the Performance) :

No.	Item	4.8V	6.0V
4-1	Operating speed (at no load)	0.16 sec/60°	0.13 sec/60°
4-2	Running current (at no load)	180 mA	240 mA
4-3	Stall torque (at locked)	3.1 kg-cm	3.9 kg-cm
4-4	Stall current (at locked)	1200 mA	1400 mA
4-5	Idle current (at stopped)	5 mA	5 mA

Note: Item 4-2 definition is average value when the servo running with no load

5. Mechanical Specification :

No.	Item	Specification
5-1	Overall Dimensions	See the drawing
5-2	Limit angle	220°±10°
5-3	Weight	15.8 ± 0.2 grams (without servo horn)
5-4	Connector wire gauge	# 26 AWG
5-5	Connector wire length	250 ±5 mm
5-6	Horn gear spline	21T/ $\phi$ 4.97
5-7	Horn type	Cross , Big cross , Disk , Flat
5-8	Reduction ratio	1/383



Product Name

**DIGITAL SERVO**

Model No.

**HD-1810MG**

Version

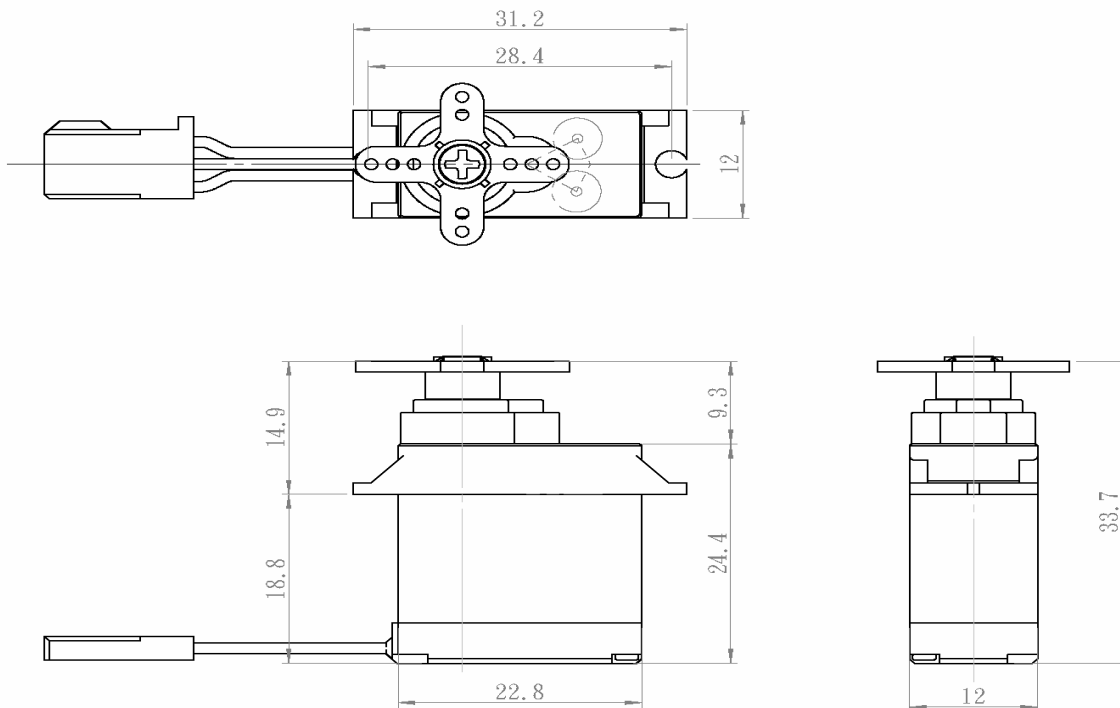
**V1**

Page

**2/3**

6. Control Specification :

No.	Item	Specification
6-1	Control system	Pulse width modification
6-2	Amplifier type	Digital controller
6-3	Operating travel	45° (when 1500→2000 $\mu$ sec)
6-4	Neutral position	1500 $\mu$ sec
6-5	Dead band width	5 $\mu$ sec
6-6	Rotating direction	Clockwise (when 1500→2000 $\mu$ sec)
6-7	Pulse width range	750→2250 $\mu$ sec
6-8	Maximum travel	Approx 145°(when 750→2250 $\mu$ sec)



UNIT : MILLIMETERS



Product Name  
**DIGITAL SERVO**

Model No.  
**HD-1810MG**

Version  
**V1**

Page  
**3/3**