

# RLK-1

## single-phase control lamps

RLK-1G

RLK-1R

RLK-1Y



NEW

- Self-operating control lamps (optic signaling of AC/DC voltage presence in 1-phase network via lighting of one non-replaceable LED)
- Cover - modular, width 17,5 mm
- Direct mounting on 35 mm rail mount acc. to EN 60715
- Applications: in low-voltage systems
- Compliance with standards: EN 62094-1, EN 61000-4-2,3,4,5,6,11
- Recognitions, certifications, directives:

### Input circuit

Supply voltage	AC: 50/60 Hz AC/DC	130...260 V	terminals (+)L – (-)N
Operating range of supply voltage		0,85...1,1 U <sub>n</sub>	
Rated power consumption	DC	≤ 0,7 W	
Rated current consumption		1,7 mA	
Range of supply frequency	AC	48...63 Hz	
<b>Control circuit</b>	• LED indicator	one LED L ON - indication of supply voltage U	
		RLK-1G: green RLK-1R: red RLK-1Y: yellow	

### Insulation according to EN 60664-1

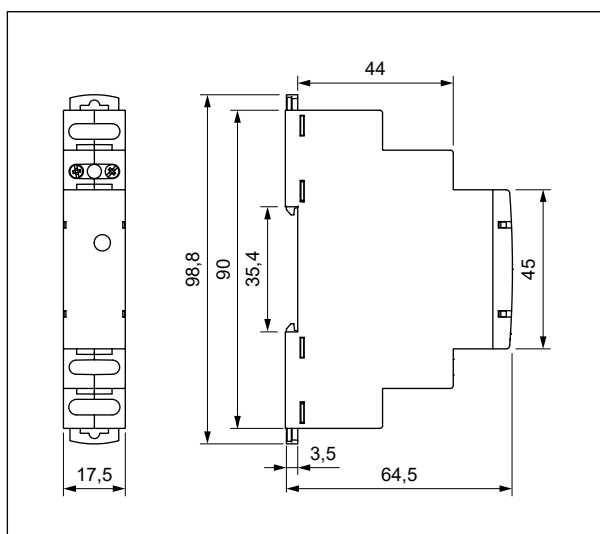
Insulation rated voltage	250 V AC
Rated surge voltage	
• input	1 000 V EN 61000-4-5
• 35 mm rail - terminals	4 000 V 1,2 / 50 μs
Protection class	II
Overvoltage category	II
Insulation pollution degree	2
Flammability class	cover: V-0      face panel: V-2      UL94
Dielectric strength	
• 35 mm rail - terminals	4 000 V AC

### General data

Dimensions (L x W x H)	90  x 17,5 x 64,5 mm
Weight	35 g
Ambient temperature	• storage -40...+70 °C
(non-condensation and/or icing)	• operating -20...+55 °C
Cover protection category	IP 20      EN 60529

- With the use of a light element (LED located in the center of the face panel), phase decay is promptly recognizable. The signal of the LED is well visible even at strong light, and its brightness depends on the current value of the supply voltage.
- Length with 35 mm rail taps: 98,8 mm.

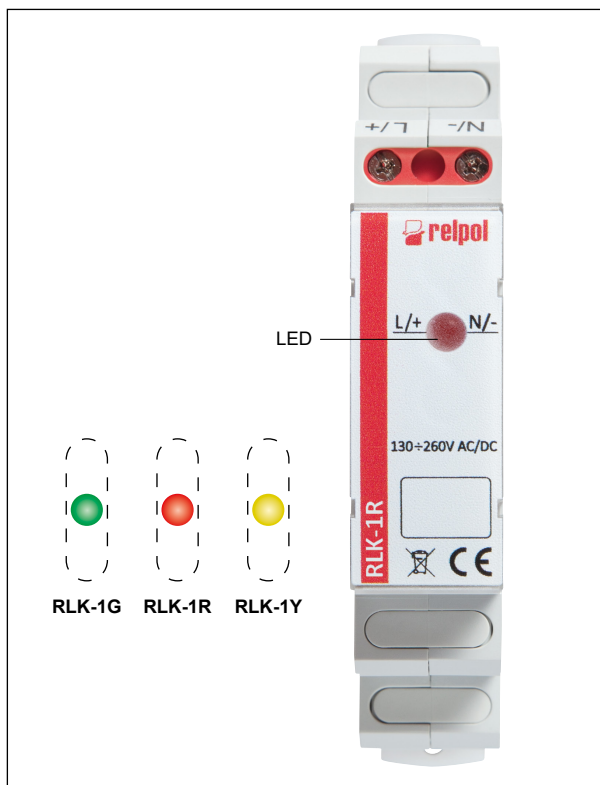
### Dimensions



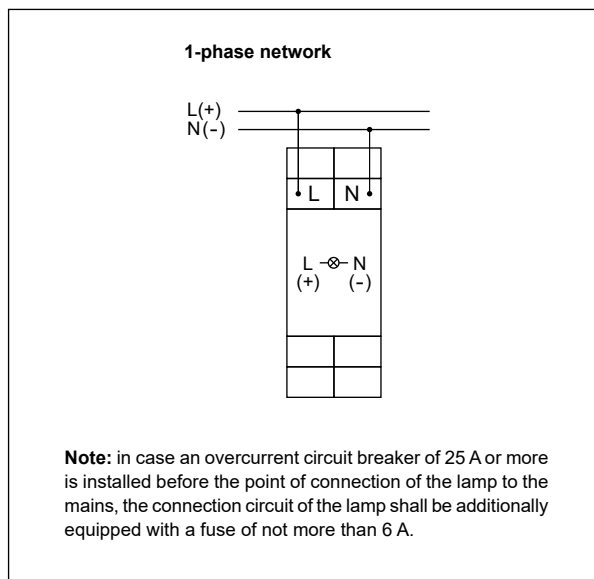
# RLK-1

## single-phase control lamps

### Front panel description



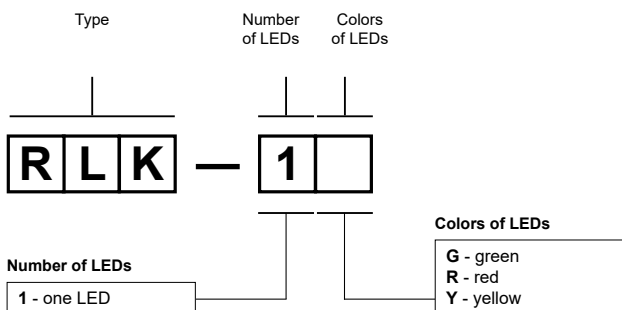
### Connection diagram



### Mounting

Lamps **RLK-1** are designed for direct mounting on 35 mm rail mount acc. to EN 60715. Operational position - any. **Connections:** max. cross section of the cables: 1 x 2,5 mm<sup>2</sup> / 2 x 1,5 mm<sup>2</sup> (1 x 14 / 2 x 16 AWG), length of the cable deinsulation: 6,5 mm, max. tightening moment for the terminal (universal screw - cross-recessed or slotted head): 0,6 Nm.

### Ordering codes



Examples of ordering codes:

- RLK-1G** control lamp **RLK-1G** with one green LED, supply voltage 130...260 V AC/DC AC: 50/60 Hz
- RLK-1R** control lamp **RLK-1R** with one red LED, supply voltage 130...260 V AC/DC AC: 50/60 Hz
- RLK-1Y** control lamp **RLK-1Y** with one yellow LED, supply voltage 130...260 V AC/DC AC: 50/60 Hz



**Two taps:** easy assembly on 35 mm rail, firm tapping (top and bottom).

### PRECAUTIONS:

1. Ensure that the parameters of the product described in its specification provide a safety margin for the appropriate operation of the device or system and never use the product in circumstances which exceed the parameters of the product. 2. Never touch any live parts of the device. 3. Ensure that the product has been connected correctly. An incorrect connection may cause malfunction, excessive heating or risk of fire. 4. In case of any risk of any serious material loss or death or injuries of humans or animals, the devices or systems shall be designed so to equip them with double safety system to guarantee their reliable operation.