



Breakers and Switches

Switches

Switch-disconnectors

OT and OTM

Switch-disconnectors

OT16...4000 and OTM40...2500

Features

Product overview	4
High performance, compact solution	6

Technical data

Switch-disconnectors, IEC	8
Non fusible disconnect switches, UL/CSA	14
Motor operators, IEC	18

Type designation key

Type designation key	20
----------------------	----

Ordering information

Front operated, switch-disconnectors, IEC	21
Front operated, non-fusible disconnect switches, UL/CSA	30
Side operated switch-disconnectors, IEC	33
Earthing switches, IEC	34
Motorized switch-disconnectors, IEC	36

Accessories

Selection overview	39
--------------------	----

Ordering information, accessories

Optional handles and handle accessories	42
Shafts and shaft accessories	52
Auxiliary contacts	56
Fourth poles and neutral/earth links	60
Terminal shrouds	62
Mounting and locking accessories	64
Terminal clamps	65
Conversion kits	68
Mechanical and electrical interlocks	70

Dimension drawings

Front operated, switch-disconnectors, IEC and UL/CSA	72
Side operated switch-disconnectors, IEC	91
Earthing switches, IEC	93
Motorized switch-disconnectors, IEC	95
Accessories	99

Contact functions

ON and OFF-functions of main and auxiliary contacts	105
---	-----

Index

Index	107
-------	-----

Switch-disconnectors 16... 4000 Amperes

High performance, compact solution



Manual operation

IEC		OT16F	OT63F	OT100F	OT160EV		OT315E
		OT25F	OT80F	OT125F	OT200E		OT400E
		OT40F			OT250E		
UL 98 file # E101914		OT16F	OT63F	OT30F		OT200U	
UL 508 file # E63822		OT25F	OT80F	OT60F			
		OT40F		OT100F			
Switch size		16 25 40	63 80	30 60 100 125	160 200 250	200	315 400
IEC	I_{th} [A]	25 32 40	63 80	115 125	160 200 250		315 400
	I_e /AC22A, 415V [A]	16 25 40	63 80	100 125	160 200 250		315 400
	I_e /AC23A, 415V [A]	16 20 23	45 75	80 90	160 200 250		315 400
UL	Ampere rating [A]	20 30 40	60 80	30 60 100		200	

*) Please consult us for UL 98 ratings above 1200 A



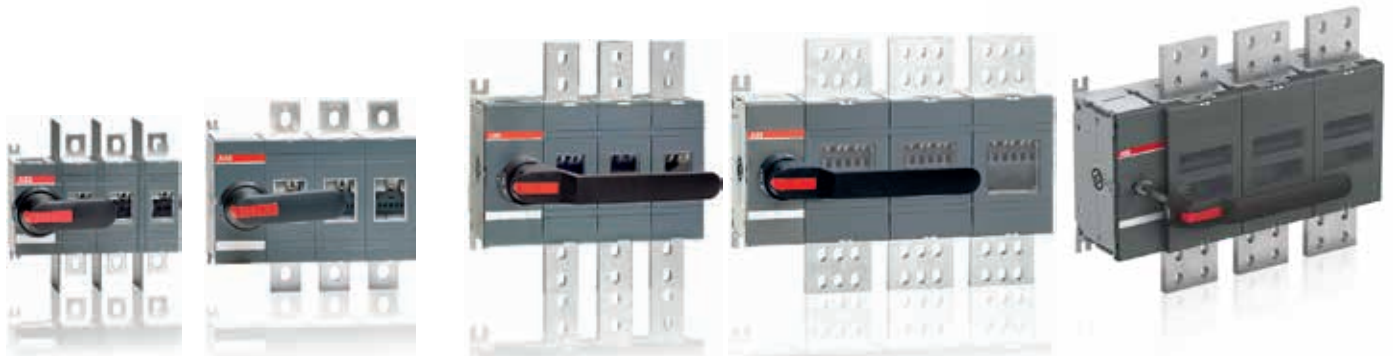
Motor operation

IEC		OTM40F	OTM160E	OTM315E	OTM630E
		OTM63F	OTM200E	OTM400E	OTM800E
		OTM80F	OTM250E		
		OTM100F			
		OTM125F			
Switch size [A]		40 63 80 100 125	160 200 250	315 400	630 800

Accessories

Optional handles
 Extended shafts
 Legend plates
 Auxiliary contacts
 Fourth poles

N & PE terminals
 Terminal shrouds
 Connecting accessories
 Conversion kits
 Locking accessories



	OT630E	OT1000E	OT2000E	OT3200E
	OT800E	OT1250E	OT2500E	OT4000E
		OT1600E		
OT400U	OT600U	OT800U	*)	
		OT1200U		
400	600 630 800	800 1000 1200 1250 1600	2000 2500	3200 4000
	630 800	1000 1250 1600	2000 2500	3200 4000
	630 800	1000 1250 1600	2000 2500	
	630 800	1000 1250 1600		
400	600	800 1200		



OTM1000E	OTM1600E	OTM2000E
OTM1250E		OTM2500E
1000 1250	1600	2000 2500

Switch-disconnectors 16 to 4000 Amperes

High performance, compact solution



The most compact solution

Possible thanks to a uniquely short current path and a double-sided spring construction combined with a small amount of components. ABB's switches therefore have a small footprint area, allowing installation in confined spaces.

- ▶ Space savings mean cost reduction

Quick and perfect installation every time

- Base, door or DIN rail mounted
- Installation in any direction: horizontal, vertical or even at the ceiling

- A wide variety of accessories to customize the installation such as handles shafts, auxiliary contacts, cabling accessories and additional power poles.

- ▶ Flexibility to plan your installation

Switches from 16 to 125 Amperes can be snap-on or screw-mounted and switches from 160 to 4000 Amperes have adjustable feet that allow top or side mounting. Snap-on accessories available.

- ▶ Easy to install



ABB offers AC and DC rated switch-disconnectors suitable for diverse applications such as machinery, power distribution, switchboards, motor control centers or photovoltaic installations.

High performance

ABB switch-disconnectors have a powerful construction and quick-make/ quick-break operation features that enhance performance.

Full I_{th} ratings can be used in both open air and enclosures.

- ▶ There is no need of derating or increasing the size of the enclosure.

AC switch-disconnectors have full AC-23A current ratings for voltage levels up to 690/1000 V

- ▶ Suitable for diverse applications

ABB's offering includes manual and motorized switches from 16 to 4000 Amperes.



Technical data, IEC

Switch-disconnectors OT16...125 and OTM40...125

Technical data according to IEC 60947-3				Size [A] / Switch type
				16 / OT16F
Rated insulation voltage and rated operational voltage AC20/DC20	Pollution degree 3		V	750
Dielectric strength		50 Hz 1min.	kV	6
Rated impulse withstand voltage			kV	8
Rated thermal current and rated operational current AC20/DC20 ...with minimum conductor cross section	Ambient 40°C ²⁾	In open air	A	25
	Ambient 40°C ²⁾	In enclosure	A	25
	Ambient 60°C	In enclosure	A	20
		Cu	mm ²	4
Rated operational current, AC-21A		up to 415 V	A	16
		440...690 V	A	16
Rated operational current, AC-22A		up to 415 V	A	16
		440...500 V	A	16
		690 V	A	16
Rated operational current, AC-23A		up to 415 V	A	16
		440 V	A	16
		500 V	A	16
		690 V	A	10
Rated operational current / poles in series, DC-21A		24...48 V ¹⁾	A	16/1
		110 V	A	16/2
		220 V	A	16/3
		440 V	A	16/4
		500 V	A	16/4
		750 V	A	16/8
Rated operational current / poles in series, DC-22A		24...48 V ¹⁾	A	16/1
		110 V	A	16/2
		220 V	A	16/3
		440 V	A	10/4
		750 V	A	16/8
Rated operational current / poles in series, DC-23A		24...48 V ¹⁾	A	16/1
		110 V	A	16/2
		220 V	A	16/4
		440 V	A	10/4
		750 V	A	16/8
Rated operational power, AC-23A (These values are given for guidance and may vary acc. to the motor manufacturer)		220...240 V	kW	3
		400...415 V	kW	7.5
		440 V	kW	7.5
		500 V	kW	7.5
		690 V	kW	7.5
Rated breaking capacity, AC-23A		up to 415 V	A	128
		440 V	A	128
		500 V	A	128
		690 V	A	80
Rated breaking capacity/poles in series, DC-23A		24...48 V	A	64/1
		220 V	A	64/3
		110 V	A	64/2
		440 V	A	40/4
		750 V	A	64/8
Rated conditional short-circuit current I_p (r.m.s.) and corresponding max. allowed cut-off current \hat{I}_c . The cut-off current \hat{I}_c refers to values listed by fuse manufacturers (single phase test acc. to IEC60269)	I_p (r.m.s.)	50 kA	kA	6.5
	Max. OFA_fuse size gG/aM	≤ 415 V	A	40/32
	I_p (r.m.s.)	100 kA	kA	
	Max. OFA_fuse size gG/aM	≤ 500 V	A	
	I_p (r.m.s.)	10 kA	kA	
	Max. OFA_fuse size gG/aM	≤ 690 V	A	
Rated short-time withstand current	I_p (r.m.s.)	50 kA	kA	4
	Max. OFA_fuse size gG/aM	≤ 690 V	A	25/16
	r.m.s.-value I_{cw}	690 V, 0.25 s	kA	
	r.m.s.-value I_{cw}	690 V, 1 s	kA	0.5
	Peak value I_{cm}	690 V/500 V	kA	0.705
Rated capacitor power (The capacitor ratings are limited by the fuse link.)		400...415 V	kVAr	6.5
Power loss / pole	At rated operational current		W	0.3
Mechanical endurance	Divide by two for operation cycles		Oper.	20 000
Weight without accessories	3-pole		kg	0.11
	4-pole		kg	0.15
Cable size	Cu-wire size suitable for terminal clamps		mm ²	0.75...10
			AWG	18-8
Terminal tightening torque	Counter torque required		Nm	0.8
Operating torque	3-pole switch-disconnector		Nm	1

¹⁾ Below 48 V, two poles in parallel up to OT80 are recommended particularly in polluted atmosphere. ²⁾ Acc. to IEC 60947-1, § 6.1.1.

25 / OT25	40 / OT40F	63 / OT63F	80 / OT80F	100 / OT100F	125 / OT125F
750	750	750	750	750	750
6	6	6	6	6	6
8	8	8	8	8	8
32	40	63	80	115	125
32	40	63	80	115	125
25	32	50	63	80	100
6	10	16	25	35	50
25	40	63	80	100	125
25	40	63	80	100	125
25	40	63	80	100	125
25	40	63	80	100	125
25	40	63	80	100	125
20	23	63	75	80	90
20	23	63	65	65	78
20	23	45	58	60	70
11	12	20	20	40	50
25/1	32/1	63/1	80/1	100/1	125/1
25/2	32/2	63/2	80/2	100/2	125/2
25/3	32/3	63/4	80/4	100/4	125/4
16/4	16/4	16/4	16/4		
16/4	16/4	16/4	16/4		
25/8	32/8				
25/1	32/1	63/1	80/1	100/1	125/1
25/2	32/2	63/2	80/2	100/2	125/2
25/3	32/4	45/4	45/4	63/4	80/4
10/4	10/4	10/4	10/4		
25/8	25/8				
25/1	32/1	63/1	80/1	100/1	125/1
25/2	32/2	63/2	80/2	100/2	125/2
25/4	32/4	45/4	45/4	63/4	63/4
10/4	10/4	10/4	10/4		
16/8	16/8				
4	5.5	11	22	22	22
9	11	22	37	37	45
9	11	22	37	37	45
9	11	22	37	37	45
9	11	15	18.5	37	45
160	184	360	640	640	720
160	184	360	448	520	624
160	184	360	464	480	560
88	96	160	160	320	40
100/1	128/1	180/1	252/1	400/1	500/1
100/4	128/4	180/4	180/4	252/4	252/4
100/2	128/2	180/2	252/2	400/2	500/2
40/4	40/4	40/4	40/4		
64/8	64/8				
6.5	6.5	13	13	16.5	16.5
40/32	40/32	100/80	100/80	125/125	125/125
		17	17		
		100/80	100/80		
				8.2	8.2
				125/100	125/100
4	4	11	11	10	10
25/16	25/16	80/63	80/63	63/63	63/63
0.5	0.5	1	1.5	2.5	2.5
0.705	0.705	1.4	2.1	3.6	3.6
10	15	25	30	40	50
0.6	1.6	2.8	4.5	4.0	6.3
20 000	20 000	20 000	20 000	20 000	20 000
0.11	0.11	0.27	0.27	0.36	0.36
0.15	0.15	0.35	0.35	0.50	0.50
0.75...10	0.75...10	1.5...35	1.5...35	10...70	10...70
18-8	18-8	14-4	14-4	8-00	8-00
0.8	0.8	2	2	6	6
1	1	1.2	1.2	2	2

Technical data, IEC

Switch-disconnectors OT160...800 and OTM160...800

Technical data according to IEC 60947-3				Size [A] / Switch type
				160 / OT160EV
Rated insulation voltage and rated operational voltage AC-20, DC-20	Pollution degree 3		V	1 000
Dielectric strength		50 Hz 1min.	kV	10
Rated impulse withstand voltage			kV	12
Rated thermal current and rated operational current AC-20, DC-20 in ambient 40 °C ⁴⁾	In open air		A	200
	In enclosure		A	160
...with minimum cable cross section		Cu	mm ²	70
Rated operational current, AC-21A		≤ 500 V	A	200
		690 V	A	160
		1000 V	A	160
Rated operational current, AC-22A		≤ 500 V	A	200
		690 V	A	160
		1000 V	A	160
Rated operational current, AC-23A		≤ 500 V	A	160
		690 V	A	160
		1000 V	A	135
Rated operational current / poles in series, DC-21A ¹⁾		24...110 V	A	160/2
		220 V	A	160/2
		440 V	A	160/3
		660 V	A	160/4
Rated operational current / poles in series, DC-21B		800 V	A	160/5
		1000 V	A	160/6
Rated operational power, AC-23 ³⁾		230 V	kW	48
		400 V	kW	80
		415 V	kW	88
		500 V	kW	112
		690 V	kW	144
Rated breaking capacity in category AC-23		≤ 500 V	A	1 280
		690 V	A	1 280
Rated conditional short-circuit current I_p (r.m.s.) and corresponding max. allowed cut-off current \hat{i}_c . The cut-off current \hat{i}_c refers to values listed by fuse manufacturers (single phase test acc. to IEC60269).	I_p (r.m.s.)	100 kA, 500 V	kA	40.5
	Max. OFA_fuse size	gG/aM	A	315/315
	I_p (r.m.s.)	80 kA, 690 V	kA	40.5
	Max. OFA_fuse size	gG/aM	A	355/315
Rated short-time withstand current	r.m.s. value I_{cw}	≤ 1000 V 0,15 s	kA	15
		≤ 1000 V 0,25 s	kA	15
		≤ 1000 V 1 s	kA	8
Rated short-time making capacity	Peak value I_{cm}	≤ 1000 V	kA	30
Rated capacitor power when no initial charge on the capacitor	The capacitor ratings are limited by the fuse links	415 V	kVAr	80
		500 V	kVAr	96
		690 V	kVAr	128
Power loss / pole	With rated current		W	3.2
Mechanical endurance	Divide by two for oper. cycles		Oper.	20 000
Weight without accessories	3-pole switch		kg	1.2
Terminal bolt size	Metric thread diameter x length		mm	M8x25
Terminal tightening torque	Counter torque required		Nm	15-22
Operating torque	3-pole switch disconnecter		Nm	7

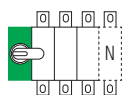
¹⁾ Further ratings on request.

²⁾ Category B.

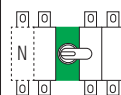
³⁾ These values are given for guidance and may vary acc. to the motor manufacturer.

⁴⁾ Acc. to IEC 60947-1, § 6.1.1.

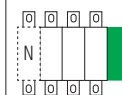
Placing options of the operating mechanism for OT160EV...800



At the end of the switch
OT_03 or 04



Between the poles
OT_12 or 22



Side operated types
OT_30 or 40,
OT_03 or 04

200 / OT200E	250 / OT250E	315 / OT315E	400 / OT400E	630 / OT630E	800 / OT800E
1 000	1 000	1 000	1 000	1 000	1 000
10	10	10	10	10	10
12	12	12	12	12	12
200	250	315	400	630	800
200	250	315	400	630	800
95	120	185	240	2x185	2x240
200	250	315	400	630	800
200	250	315	400	630	800
200	250	315	400	630	800
200	250	315	400	630	800
200	250	315	400	630	800
200	250	315	400	630	800
200	250	315	400	630	800
200	250	315	400	630	800
135	135	200	200	400	400
200/2	250/2	315/1 ²⁾	400/1 ²⁾	630/1	800/1
200/2	250/2	315/2 ²⁾	400/2 ²⁾	630/1	800/1
200/3	250/3	315/3	360/3	630/2	800/2
200/4	230/4 ²⁾	315/4	360/4	630/4 ²⁾	650/4 ²⁾
200/5	250/5	315/5	400/5	600/5	600/5
200/6	250/6	315/6	400/6	600/6	600/6
60	75	100	132	200	250
110	140	160	220	355	450
110	145	180	230	355	450
132	170	220	280	400	560
200	250	315	400	630	800
1 600	2 000	2 520	3 200	5 040	6 400
1 600	2 000	2 520	3 200	5 040	6 400
40.5	40.5	61.5	61.5	90	90
315/315	315/315	500/450	500/450	800/1 000	800/1 000
40.5	40.5	59	59	83.5	83.5
355/315	355/315	500/500	500/500	800/1 000	800/1 000
15	15	31	31	38	38
15	15	24	24	36	36
8	8	15	15	20	20
30	30	65	65	80	80
100	115	145	180	250	310
120	135	175	215	300	375
160	190	250	325	450	550
4	6.5	6.5	10	25	40
20 000	20 000	16 000	16 000	10 000	10 000
1.2	1.2	2.2	2.2	5.2	5.2
M8x25	M8x25	M10x30	M10x30	M12x40	M12x40
15-22	15-22	30-44	30-44	50-75	50-75
7	7	16	16	27	27

Technical data, IEC

Switch-disconnectors OT1000...4000 and OTM1000...2500

Technical data according to IEC 60947-3				Size [A] / Switch type
				1000 / OT1000E
Rated insulation voltage and rated operational voltage AC20/DC20	Pollution degree 3		V	1 000
Dielectric strength		50 Hz 1min.	kV	10
Rated impulse withstand voltage			kV	12
Rated thermal current and rated operational current AC20/DC20	Ambient 40°C ¹⁾	In open air	A	1 000
..with minimum conductor cross section	Ambient 40°C ¹⁾	In enclosure	A	1 000
Rated operational current, AC-21A	Cu		mm ²	2x300
Rated operational current, AC-22A		up to 690 V	A	1 000
Rated operational current, AC-23A		1000 V	A	1 000
Rated operational current, AC-22A		up to 415 V	A	1 000
Rated operational current, AC-23A		500 - 690 V	A	1 000
Rated operational current, AC-23A		up to 500 V	A	1 000
Rated operational power, AC-23A (These values are given for guidance and may vary acc. to the motor manufacturer)		690 V	A	1 000
Rated breaking capacity, AC-23A		400...415 V	kW	560
Rated conditional short-circuit current I_p (r.m.s.) and corresponding max. allowed cut-off current I_c . The cut-off current I_c refers to values listed by fuse manufacturers (single phase test acc. to IEC60269).	I_p (r.m.s.)	440 V	kW	630
	Max. OFA_fuse size gG/aM	500 V	kW	710
	I_p (r.m.s.)	690 V	kW	1 000
	Max. OFA_fuse size gG/aM	up to 500 V	A	10 000
Rated short-time withstand current	r.m.s. -value I_{cw}	690 V	A	10 000
Rated short circuit making capacity	Peak value I_{cm}	80 kA	kA	100
	Max. distance from switch frame to nearest busbar/cable support	≤ 415 V	A	1 250/1 250
Rated capacitor power when no initial charge on the capacitor	The capacitor ratings are limited by the fuse links	100 kA	kA	106
		≤ 500 V	A	1 250/1 250
Power loss / pole	At rated operational current	690 V, 0.25 s	kA	50
Mechanical endurance	Divide by two for operation cycles	690 V, 1 s	kA	50
Weight without accessories	3-pole	690 V	kA	110 ⁴⁾
	4-pole		mm	150
Terminal bolt size	Metric thread diameter x length	415 V	kVAr	460
Terminal tightening torque	Counter torque required	500 V	kVAr	550
Operating torque	3-pole switch-disconnector	690 V	kVAr	750
			W	19
			Oper.	6 000
			kg	14.1
			kg	18
			mm	M12x50
			Nm	50...75
			Nm	65

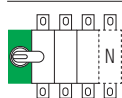
¹⁾ Acc. to IEC60947-1, § 6.1.1.

²⁾ IEC 947-3, utilization category B, infrequent operation.

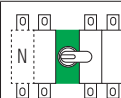
³⁾ Phase barriers or terminal shrouds must be used on both sides of the switch at voltages ≥ 500 V.

⁴⁾ The value is 92 kA for 4-pole switch-disconnectors.

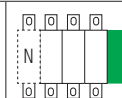
Placing options of the operating mechanism for OT1000...3200



At the end of the switch
OT_03 or 04



Between the poles
OT_12 or 22



Side operated types
OT_30 or 40,
OT_03 or 04

	1250 / OT1250E	1600 / OT1600E	2000 / OT2000E	2500 / OT2500E	3200 / OT3200E	4000/OT4000E
	1 000	1 000	1 000	1 000	1 000	1 000
	10	10	10	10	10	10
	12	12	12	12	8	8
	1 250	1 600	2 000	2 500	3 200	3 800
	1 250	1 600				
	2x400	2x500	3x500	4x500	4x1 000	5x1 000
	1 250	1 600	2 000 ²⁾	2 500 ²⁾	3 200 ²⁾	3 800
	1 250	1 600				
	1 250	1 600	2 000 ²⁾	2 500 ²⁾	3 200 ²⁾	3 800
	1 250	1 600	2 000 ²⁾³⁾	2 500 ²⁾³⁾		
	1 250	1 250				
	1 250	1 250				
	710	710				
	800	800				
	900	900				
	1 200	1 200				
	10 000	10 000				
	10 000	10 000				
	100	100				
	1 250/1 250	1 250/1 250				
	106	106				
	1 250/1 250	1 250/1 250				
	50	50	80	80	60	60
	50	50	55	55		
	110 ⁴⁾	110 ⁴⁾	176	176	176	176
	150	150	150	150	150	150
	575	575				
	690	690				
	950	950				
	29	48	55	85	95	120
	6 000	6 000	6 000	6 000	5 000	5 000
	14.1	15.2	22	22	24.7	28.9
	18	19.5	28	28	32.1	37.7
	M12x50	M12x60	M12x60	M12x60	M12x60	M12x60
	50...75	50...75	50...75	50...75	50...75	50...75
	65	65	65	65	65	65

Technical data, UL/CSA

Non fusible disconnect switches OT16...100

Technical data according to UL/CSA, AC ratings				Size [A] / Switch type	
				20 / OT16F	
		Approvals ¹⁾	3 pole 4 pole	UL508 & IEC UL508 & IEC	
General purpose amp rating	pf= 0.7...0.8	-40° to 40 °C	A	20	
Max. operating voltage			V	600	
Max. horsepower rating / motor FLA current	pf= 0.4...0.5 Three phase	240 V	HP/A	5/15.2	
		480 V	HP/A	10/14.0	
	Single phase	600 V	HP/A	10/11	
		120 V	HP/A	1/16.0	
Short circuit rating with fuse	Maximum fuse size	240 V	HP/A	2/13.2	
			A	30	60 ²⁾
	Fuse type	CC	kA	10	
	Fuse type	J	kA	10	10
	Fuse type	T	kA	10	10
	Fuse type	RK1	kA	10	
	Fuse type	RK5	kA	5	5
	Fuse type	L	kA		
Fuse type	H	kA			
Maximum General Use, DC ratings					
Current rating		at 250 VDC at 600 VDC	A A		
DC horsepower rating for 4-pole switch		at 600 VDC	HP		
DC horsepower rating for 2-pole switch		at 125 VDC at 250 VDC	HP HP		
DC short circuit rating for 4-pole switch		with circuit breaker	kA		
DC short circuit rating for 2-pole switch		with circuit breaker at 250 VDC with circuit breaker at 600 VDC with class J fuse at 250 VDC ... with fuse size	kA kA kA A		
Endurances					
Min. electrical endurance, pf. 0.75...0.8			oper. cycles	6 000	
Mechanical endurance			operations	20 000	
Terminal lug kits				integral	
Wire range			AWG	18-8	
Torque		Wire tightening Lug mounting	lb.in	7	
Technical data according to IEC 60947-3					
Rated insulation voltage and rated operational voltage AC20/DC20	Pollution degree 3		V	750	
Dielectric strength		50 Hz 1min.	kV	6	
Rated impulse withstand voltage			kV	8	
Rated operational current, AC-22A		up to 415 V	A	16	
		440...500 V	A	16	
		690 V	A	16	
			A	16	
Rated operational current, AC-23A		up to 415 V	A	16	
		440 V	A	16	
		500 V	A	16	
		690 V	A	10	
			A	16	
Rated conditional short-circuit current I_p (r.m.s.) and corresponding max. allowed cut-off current I_c . The cut-off current I_c refers to values listed by fuse manufacturers (single phase test acc. to IEC60269).	I_p (r.m.s.) Max. OFA_fuse size gG/aM	50 kA	kA	6.5	
		415 V	A	40/32	
	I_p (r.m.s.) Max. OFA_fuse size gG/aM	10 kA	kA		
		690 V	A		
	I_p (r.m.s.) Max. OFA_fuse size gG/aM	50 kA	kA	4	
		690 V	A	25/16	
At prospective SC-current Max. OFA_fuse size gG/aM	80 kA	kA			
	690 V	A			
Rated short-time withstand current	r.m.s.-value I_{cw}	690 V, 1 s	kA	0.5	
Rated short circuit making capacity	Peak value I_{cm}	690 V/500 V	kA	0.705	
Power loss / pole		At rated operational current	W	0.3	
Mechanical endurance		Divide by two for operation cycles	Oper.	20 000	
Weight without accessories		3-pole	kg	0.11	
		4-pole	kg	0.15	

¹⁾ UL Listed switches are also listed under CSA requirements

²⁾ Fuse size 70A for RK5.

Technical data, UL/CSA

Non fusible disconnect switches

OT200...1200U

				Size [A] / Switch type	
				200 / OT200U	
		Approvals ¹⁾	2 pole 3 pole 4 pole	UL 98 & IEC UL 98 & IEC UL 98 & IEC	
Technical data according to UL/CSA AC Ratings					
General purpose amp rating	pf= 0.7...0.8	-40° to 40 °C	A	200	
Max. operating voltage			V	600	
Max. horsepower rating / max. motor FLA current	pf= 0.4...0.5 Three phase	240 V 480 V 600 V	HP/A HP/A HP/A	75/192.0 150/180.0 200/192.0	
Short circuit rating with fuse	Fuse type	J	kA	200	65
	Fuse type	T	kA		
	Fuse type	RK5	kA		
	Fuse type	L	kA		
Maximum fuse size			A	200	400
Maximum General Use, DC ratings					
Current rating		at 250 VDC	A	200	
		at 600 VDC	A	100	
DC horsepower rating for 4-pole switch		at 600 VDC	HP	50	
DC horsepower rating for 2-pole switch		at 125 VDC	HP	20	
		at 250 VDC	HP	-	
DC short circuit rating for 4-pole switch		with circuit breaker	kA	10	
DC short circuit rating for 2-pole switch		with circuit breaker at 250 VDC	kA	14	
		with circuit breaker at 600 VDC	kA	10	
		with class J fuse at 250 VDC	kA	100	
		... with fuse size	A	200	
Endurances					
Min. electrical endurance, pf. 0.75...0.8		oper. cycles		6 000	
Mechanical endurance		Divide by two for operation cycles	operations	20 000	
Terminal lug kits				OZXA-200	
Wire range			AWG	4-300MCM	
Torque		Wire tightening	lb.in	275	
		Lug mounting	lb.in	72	
Technical data according to IEC 60947					
Rated insulation voltage and rated operational voltage AC20/DC20	Pollution degree 3		V	1 000	
Dielectric strength	50 Hz, 1min.		kV	10	
Rated impulse withstand voltage			kV	12	
Rated operational current, AC-22A		up to 415 V	A	250	
		440...500 V	A	250	
		690 V	A	250	
Rated operational current, AC-23A		up to 415 V	A	250	
		440 V	A	250	
		500 V	A	250	
		690 V	A	250	
Rated conditional short-circuit current I_{cs} (r.m.s.) and corresponding max. allowed cut-off current \hat{I}_c . The cut-off current \hat{I}_c refers to values listed by fuse manufacturers (single phase test acc. to IEC60269)	I_{cs} (r.m.s.)	50 kA	kA	35	
	Max. OFA_fuse size gG/aM	690 V	A	355/315	
	At prospective SC-current	80 kA	kA	40.5	
	Max. OFA_fuse size gG/aM	690 V	A	355/315	
Rated short-time withstand current	r.m.s. -value I_{cw}	690 V, 1 s	kA	8	
Rated short circuit making capacity	Peak value I_{sm}	500/690 V	kA	30	
Power loss / pole	At rated operational current		W	6.5	
Weight without accessories		3-pole	kg	1.2	
		4-pole	kg	1.5	
Terminal bolt size	Metric thread diameter x length		mm	M8x25	

¹⁾ UL Listed switches are also listed under CSA requirements.

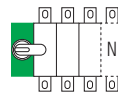
²⁾ Max. distance between busbar support and switch terminal 70 mm.

³⁾ IEC60947-3 category B.

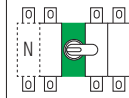
⁴⁾ The value is 92 kA for 4-pole switch disconnecter.

⁵⁾ Please consult us for UL 98 ratings above 1200 A.

Placing options of the operating mechanism for OT200...1200



At the end of
the switch
OT_03 or 04



Between
the poles
OT_12 or 22

400 / OT400U	600 / OT600U	800 / OT800U	1200 / OT1200U ⁹⁾
UL 98 & IEC UL 98 & IEC UL 98 & IEC	UL 98 & IEC UL 98 & IEC UL 98 & IEC	UL 98 & IEC UL 98 & IEC	UL 98 & IEC UL 98 & IEC
400 600	600 600	800 600	1200 600
125/312.0 250/302.0 350/336.0	200/480.0 450/515.0 500/472.0	200/602 500/590 500/472	
100		100 100	
	100		
		100 800	100 1200
400 200 50 40 50 10 14 10 100 400	600 200 - - 50 10 18 10 100 600		
1 000 16 000 OZXA-400 2-600MCM 375 240	1 000 10 000 OZXA-800 2x2-600MCM 500 480	500 6 000 OZXA-800 2x2-600MCM 500 480	500 6 000 OZXA-1200 4x2-600MCM 500 450-670
1 000 10 12 400 400 400 400 400 400 400 50.5 500/500 59 500/500 15 65 10 2.2 2.8 M10x30	1 000 10 12 800 800 800 800 800 800 800 71.5 800/1 000 83.5 800/1 000 20 80 40 5.2 6.4 M12x40	1000 10 12 1600 1600 1600 1250 1250 1250 1250 50 1104) 29 15.2 19.5 M12x50	1000 10 12 1600 1600 1600 1250 1250 1250 1250 50 110 ⁴⁾ 48 15.2 19.5 M12x60

Technical data, IEC

Motor operators OTM40...2500

Data for motor operator of switch-disconnectors, OTM according to IEC 60947				Size [A] / Switch type
				40...125 / OTM
Rated operational voltage U_e	Pollution degree 3 50/60 Hz		V AC/DC V AC V DC	110...240 24
Operating voltage range				$0.85...1.1 \times U_e$
Operating time ¹⁾	90° I - 0, 0 - I	110...240 V AC/DC 24 V DC 220-240 VAC	s s s	0.5...1.0 0.6...1.3
Nominal current I_n ¹⁾		220-240 VAC	A	
Current inrush ¹⁾		220-240 VAC	A	
Overload fuse	Type / In / Capacity Size	220-240 VAC	mA mm	
Operating rate	Max. continuous Max. short-time ≤ 10 cycles		cycles / min cycles / min	1 10
Overvoltage category				III
Rated impulse withstand voltage U_{imp}			kV	4
Dielectric strength		50 Hz 1 min.	kV	1,5
Impulse command		Min. impulse duration	ms	100
Terminals				
Voltage supply wiring for U_e				PE - N - L
Cross section		solid/stranded	mm ²	1.5...2.5
Short-circuit protection device		max.MCB/fuse size	A	16
Control terminal for the push -buttons				C - I - 0
Push-button control				
Cross section		solid/stranded	mm ²	1.5 - 2.5
Maximum cable length			m	100
Terminal for state information		solid/stranded	mm ²	1,5
State information of locking				
Common, voltage supply		11		3A/AC-1/250V
Handle attached or motor operator locked		14		3A/AC-1/250V
Locking motor operator		11-12-14 (C/O)	cos=1	
Short-circuit protection device		23-24 (NO)	cos=1	
Protection degree (front panel)		MCB type and size	A	C/2A
Operating temperature			°C	-25...+55
Transportation and storage temperature			°C	-40...+70
Max. altitude			m	2 000

¹⁾ Under nominal conditions.

160...250 / OTM	315...400 / OTM	600...800 / OTM	1000...2500 / OTM
220...240	220...240	220...240	220...240
0.85...1.1 x U _e	0.85...1.1 x U _e	0.85...1.1 x U _e	0.85...1.1 x U _e
0.5...1.0	0.5...1.0	0.5...1.5	1.0...2.0
0,3	0,5	0,9	1,4
1,5	2,5	4	10
T / 315 / H	T / 500 / H	T / 1000 / H	T / 2000 / H
5x20	5x20	5x20	5x20
1	1	1	0,5
10	10	10	5
III	III	III	III
4	4	4	4
1,5	1,5	1,5	1,5
100	100	100	100
PE - N - L	PE - N - L	PE - N - L	PE - N - L
1.5...2.5	1.5...2.5	1.5...2.5	1.5...2.5
16	16	16	16
C - I - O	C - I - O	C - I - O	C - I - O
no SELV	no SELV	no SELV	no SELV
1.5 - 2.5	1.5...2.5	1.5...2.5	1.5...2.5
100	100	100	100
no SELV	no SELV	no SELV	no SELV
5A/250V	5A/250V	5A/250V	5A/250V
5A/250V	5A/250V	5A/250V	5A/250V
C/2A	C/2A	C/2A	C/2A
IP20	IP20	IP20	IP20
-25...+55	-25...+55	-25...+55	-25...+55
-40...+70	-40...+70	-40...+70	-40...+70
2 000	2 000	2 000	2 000

Type designation key

Explanation of the types OT16..125, OTM40...125

OT	16	F	4	N2		
OTM	40	F	3		M	230V
1	2	3	4	5	6	7

1	Brand
OT:	ABB switch-disconnector brand
OTM:	ABB motorized switch-disconnector brand
2	Switch size
16...125:	16...125
3	Mounting / Construction
F:	Base and DIN-rail mounting
FT:	Door mounting
FL:	Base and DIN-rail mounting, extended terminals on both sides of the switch
FLA:	Base and DIN-rail mounting, extended terminals on top side only
FLB:	Base and DIN-rail mounting, extended terminals on bottom side only
M, ML:	Installation switches for 45 mm standard opening, base and din-rail mounting

4	Number of poles
3:	3-poles
4:	4-poles
6:	6-poles
8:	8-poles
5	Fourth pole
N2:	Fourth pole, simultaneous function with the main contacts
6	Construction
M:	Motor operated
7	Code for motor voltage in motor operated switches
230V:	Motor voltage $U_e = 220...240$ VAC/DC

Explanation of the types OT160...4000, OTM160...2500

OT	400	E	03		W		P
OTM	400	E	3	M	W	230C	
1	2	3	4	5	6	7	8

1	Brand
OT:	ABB switch-disconnector / non-fusible disconnect switch brand
OTM:	ABB motorized switch-disconnector brand
2	Switch size / Ampere rating
160...4000:	160 A...4000 A
3	Mounting / Construction
E, EV:	Front operated, base mounting, IEC
U:	Front operated, base mounting, UL/CSA
ES, EVS:	Side operated, base mounting, IEC
EM:	Earthing switches, bottom mounted, IEC, the mechanism is turned 90 degrees for space saving
EP:	Earthing switches, base mounted, IEC
4	Number of poles and placing of the operating mechanism
03:	3-poles, operating mechanism at the left end of the switch
04:	4-poles, operating mechanism at the left end of the switch
12:	3-poles, operating mechanism between the poles

22:	4-poles, operating mechanism between the poles
30:	3-poles, operating mechanism at the right end of the switch
40:	4-poles, operating mechanism at the right end of the switch
2:	2-poles, motor operator at the left end of the switch
3:	3-poles, motor operator at the left end of the switch
4:	4-poles, motor operator at the left end of the switch
5	Construction 1
M:	Motor operated
6	Construction 2
K:	With direct mounted handle
W:	With wide phase distance
7	Code for motor voltage in motor operated switches
230V:	Motor voltage $U_e = 220...240$ VAC/DC
230C:	Motor voltage $U_e = 220...240$ VAC
8	Construction 3
P:	Handle included

Ordering information

Front operated switch-disconnectors, IEC



OT16...40F3



OT63...80F3



OT100...125F3



OT125FLB3



OT63...80M4



OT100...125M4

Switch-disconnectors, base and DIN-rail mounting, IEC

Including protected terminal clamps IP20, except OT125FL_ types.

The type and the ordering numbers are for one piece.

No. of poles	I_{th} (open) [A]	Cable cross section [mm ²]	Rated operat. currents AC22A/AC23A 400V [A/A]	Type	Order number	Delivery batch [pcs]	Weight/unit [kg]
Shaft and handle need to be ordered separately							
3	25	0.75...10	16/16	OT16F3	1SCA104811R1001	10	0.11
4	25	0.75...10	16/16	OT16F4N2	1SCA104829R1001	10	0.14
3	32	0.75...10	25/20	OT25F3	1SCA104857R1001	10	0.11
4	32	0.75...10	25/20	OT25F4N2	1SCA104886R1001	10	0.14
3	40	0.75...10	40/23	OT40F3	1SCA104902R1001	10	0.11
4	40	0.75...10	40/23	OT40F4N2	1SCA104932R1001	10	0.14
3	63	1.5...35	63/45	OT63F3	1SCA105332R1001	10	0.27
4	63	1.5...35	63/45	OT63F4N2	1SCA105365R1001	10	0.30
3	80	1.5...35	80/75	OT80F3	1SCA105798R1001	10	0.27
4	80	1.5...35	80/75	OT80F4N2	1SCA105413R1001	10	0.30
3	115	10...70	100/80	OT100F3	1SCA105004R1001	10	0.36
4	115	10...70	100/80	OT100F4N2	1SCA105018R1001	10	0.50
3	125	10...70	125/90	OT125F3	1SCA105033R1001	10	0.36
4	125	10...70	125/90	OT125F4N2	1SCA105051R1001	10	0.50
3	125		125/90	OT125FL3 ¹⁾	1SCA112372R1001	1	0.43
3	125		125/90	OT125FLA3 ²⁾	1SCA114832R1001	1	0.43
3	125		125/90	OT125FLB3 ³⁾	1SCA114833R1001	1	0.43

¹⁾ Extended terminals on both sides of the switch

²⁾ Extended terminals on top side only

³⁾ Extended terminals on bottom side only

Switch-disconnectors, base and DIN-rail mounting, IEC

Including a black knob handle and protected terminal clamps IP20. For standard 45 mm opening. OT16...125M: padlockable in OFF-position with one padlock (bail dia 5 mm). The type and order number are for one piece.

Number of poles / modules	I_{th} (open) [A]	Cable cross section [mm ²]	Rated operat. currents AC21/AC22A/AC23A ≤415V [A/A/A]	Type	Order number	Weight/unit [kg]
3/2	16	0.75...10	16/16/16	OT16M3	1SCA022497R0220	0.11
4/3	16	0.75...10	16/16/16	OT16M4	1SCA022497R0730	0.14
3/2	25	0.75...10	25/25/20	OT25M3	1SCA022497R0310	0.11
4/3	25	0.75...10	25/25/20	OT25M4	1SCA022497R0650	0.14
3/2	40	0.75...10	40/40/23	OT40M3	1SCA022497R0490	0.11
4/3	40	0.75...10	40/40/23	OT40M4	1SCA022497R0570	0.14
3/3	80	1.5...35	80/80/75	OT63ML3	1SCA022530R5770	0.27
4/4	80	1.5...35	80/80/75	OT63ML4	1SCA022530R6400	0.30
3/4	125	10...70	125/125/90	OT125M3	1SCA022429R9140	0.4
4/6	125	10...70	125/125/90	OT125M4	1SCA022429R9220	0.5

Ordering information

Front operated switch-disconnectors, IEC



OT16...40F6



OT63...80F8

6- and 8-pole switch-disconnectors, base and DIN-rail mounting, IEC

Including protected terminal clamps, IP20.

Number of poles	I_{th} (open) [A]	Cable cross section [mm ²]	Rated operat. currents AC22A/ AC23A 400V [A/A]	Type	Order number	Units/ type [pcs]	Weight/ unit [kg]
Shaft and handle need to be ordered separately							
6	25	0.75...10	16/16	OT16F6	1SCA104834R1001	1	0.25
6	32	0.75...10	25/20	OT25F6	1SCA104880R1001	1	0.25
6	40	0.75...10	40/23	OT40F6	1SCA104936R1001	1	0.25
6	63	1.5...35	63/45	OT63F6	1SCA105379R1001	1	0.61
6	80	1.5...35	80/75	OT80F6	1SCA105427R1001	1	0.61
6	115	10...70	100/80	OT100F6	1SCA105021R1001	1	0.81
6	125	10...70	125/90	OT125F6	1SCA105057R1001	1	0.81
8	25	0.75...10	16/16	OT16F8	1SCA104836R1001	1	0.31
8	32	0.75...10	25/20	OT25F8	1SCA104882R1001	1	0.31
8	40	0.75...10	40/23	OT40F8	1SCA104938R1001	1	0.31
8	63	1.5...35	63/45	OT63F8	1SCA105381R1001	1	0.67
8	80	1.5...35	80/75	OT80F8	1SCA105429R1001	1	0.67
8	115	10...70	100/80	OT100F8	1SCA105022R1001	1	1.10
8	125	10...70	125/90	OT125F8	1SCA105059R1001	1	1.10

Ordering information

Front operated switch-disconnectors, IEC



OT16...40FT3



OT63...80FT3



OT100...125FT3

Switch-disconnectors, door mounting, IEC

Include protected terminal clamps, IP20. The type and ordering numbers are for one piece.

Number of poles	I_{th} (open) [A]	Cable cross section [mm ²]	Rated operat. currents AC22A/ AC23A/ 400V [A/A]	Type	Order number	Delivery batch [pcs]	Weight/unit [kg]
Shaft and handle need to be ordered separately							
3	25	0.75...10	16/16	OT16FT3	1SCA104838R1001	10	0.13
4	25	0.75...10	16/16	OT16FT4N2	1SCA105711R1001	10	0.16
3	32	0.75...10	25/20	OT25FT3	1SCA104884R1001	10	0.13
4	32	0.75...10	25/20	OT25FT4N2	1SCA104900R1001	10	0.16
3	40	0.75...10	40/23	OT40FT3	1SCA104940R1001	10	0.13
4	40	0.75...10	40/23	OT40FT4N2	1SCA104956R1001	10	0.16
3	63	1.5...35	63/45	OT63FT3	1SCA105382R1001	10	0.28
4	63	1.5...35	63/45	OT63FT4N2	1SCA105393R1001	10	0.35
3	80	1.5...35	80/75	OT80FT3	1SCA105431R1001	10	0.28
4	80	1.5...35	80/75	OT80FT4N2	1SCA105499R1001	10	0.35
3	115	10...70	100/80	OT100FT3	1SCA105023R1001	10	0.40
4	115	10...70	100/80	OT100FT4N2	1SCA105031R1001	10	0.54
3	125	10...70	125/90	OT125FT3	1SCA105060R1001	10	0.40
4	125	10...70	125/90	OT125FT4N2	1SCA105066R1001	10	0.54

Ordering information

Front operated switch-disconnectors, IEC



OT315...400E03P



OT630...800E03P



OT630...800E04P



OT630...800E12P



OT630...800E22P

Switch-disconnectors, with pistol handle, base mounting, IEC

Including a black ON-OFF plastic handle and shaft as standard. The handle is IP65 protected, padlockable in the OFF-position and with door interlock in the ON-position. The shaft can be adjusted to different installation depths.

Number of poles	I _{th} (open) [A]	Rated operat. currents AC22A/AC23A 400V [A/A]	Type	Order number	Units/ type [pcs]	Weight/ unit [kg]
3	200	200/160	OT160EV03P	1SCA120514R1001	1	1.6
4	200	200/160	OT160EV04P	1SCA120521R1001	1	2.0
3	200	200/160	OT160EV12P	1SCA120529R1001	1	1.6
4	200	200/160	OT160EV22P	1SCA120537R1001	1	2.0
3	200	200/200	OT200E03P	1SCA022712R0800	1	1.6
4	200	200/200	OT200E04P	1SCA022713R4930	1	2.0
3	200	200/200	OT200E12P	1SCA022721R3990	1	1.6
4	200	200/200	OT200E22P	1SCA022721R4020	1	2.0
3	250	250/250	OT250E03P	1SCA022710R0100	1	1.6
4	250	250/250	OT250E04P	1SCA022710R0520	1	2.0
3	250	250/250	OT250E12P	1SCA022721R4110	1	1.6
4	250	250/250	OT250E22P	1SCA022721R4290	1	2.0
3	315	315/315	OT315E03P	1SCA022718R8510	1	3.1
4	315	315/315	OT315E04P	1SCA022719R1730	1	3.7
3	315	315/315	OT315E12P	1SCA022727R4190	1	3.1
4	315	315/315	OT315E22P	1SCA022727R4270	1	3.7
3	400	400/400	OT400E03P	1SCA022718R8780	1	3.1
4	400	400/400	OT400E04P	1SCA022719R1810	1	3.7
3	400	400/400	OT400E12P	1SCA022727R5750	1	3.1
4	400	400/400	OT400E22P	1SCA022727R5830	1	3.7
3	630	630/630	OT630E03P	1SCA022718R8940	1	6.3
3+N ¹⁾	630	630/630	OT630E03N3P	1SCA022779R4860	1	6.7
4	630	630/630	OT630E04P	1SCA022719R2030	1	7.5
3	630	630/630	OT630E12P	1SCA022753R4790	1	6.3
4	630	630/630	OT630E22P	1SCA022753R4870	1	7.5
3	800	800/800	OT800E03P	1SCA022718R9410	1	6.3
3+N ¹⁾	800	800/800	OT800E03N3P	1SCA022779R4780	1	6.7
4	800	800/800	OT800E04P	1SCA022719R2110	1	7.5
3	800	800/800	OT800E12P	1SCA022753R5170	1	6.3
4	800	800/800	OT800E22P	1SCA022753R5250	1	7.5

¹⁾ Include a detachable neutral link integrated into the mechanism.

Shafts and handles included as standard

Suitable for switches	Shaft	Handle	Terminal bolts
OT160EV...250_P	XP6X210	OHB65J6	M8x25
OT315...400_P	XP12X185	OHB95J12	M10x30
OT630...800_P	XP12X185	OHB125J12	M12x40

Ordering information

Front operated switch-disconnectors, IEC



OT1000...1250E03P



OT1000...1250E22P



OT1600E04P



OT1600E12P



OT2000...2500E03P

Switch-disconnectors, with pistol handle, base mounting, IEC

Including terminal bolt kit, a black ON-OFF plastic handle and shaft as standard. The handle is IP65 protected, padlockable in the OFF-position and with door interlock in the ON-position. The shaft can be adjusted to different installation depths.

Number of poles	I_{th} (open) [A]	Rated operat. currents AC22A/AC23A 400V [A/A]	Type	Order number	Units/ type [pcs]	Weight/ unit [kg]
3	1000	1000/1000	OT1000E03P	1SCA022860R5930	1	17.0
3+N ¹⁾	1000	1000/1000	OT1000E03N3P	1SCA100761R1001	1	17.9
4	1000	1000/1000	OT1000E04P	1SCA022860R6150	1	19.5
3	1000	1000/1000	OT1000E12P	1SCA022871R5520	1	17.0
4	1000	1000/1000	OT1000E22P	1SCA022871R5610	1	19.5
3	1250	1250/1250	OT1250E03P	1SCA022860R6230	1	17.0
3+N ¹⁾	1250	1250/1250	OT1250E03N3P	1SCA022865R7060	1	17.9
4	1250	1250/1250	OT1250E04P	1SCA022860R6310	1	19.5
3	1250	1250/1250	OT1250E12P	1SCA022871R5790	1	17.0
4	1250	1250/1250	OT1250E22P	1SCA022871R5870	1	19.5
3	1600	1600/1250	OT1600E03P	1SCA022860R6580	1	19.0
3+N ¹⁾	1600 ²⁾	1600/1250	OT1600E03N3P	1SCA022865R6920	1	19.9
4	1600	1600/1250	OT1600E04P	1SCA022860R6740	1	22.0
3	1600	1600/1250	OT1600E12P	1SCA022871R5950	1	19.0
4	1600	1600/1250	OT1600E22P	1SCA022871R6090	1	22.0
3	2000	2000/-	OT2000E03P	1SCA108036R1001	1	42.0
3+N ¹⁾	2000 ²⁾	2000/-	OT2000E03N3P	1SCA108037R1001	1	42.0
4	2000	2000/-	OT2000E04P	1SCA108038R1001	1	48.0
3	2000	2000/-	OT2000E12P	1SCA108039R1001	1	42.0
4	2000	2000/-	OT2000E22P	1SCA108041R1001	1	48.0
3	2500	2500/-	OT2500E03P	1SCA104972R1001	1	42.0
3+N ¹⁾	2500 ²⁾	2500/-	OT2500E03N3P	1SCA108035R1001	1	42.0
4	2500	2500/-	OT2500E04P	1SCA105140R1001	1	49.0
3	2500	2500/-	OT2500E12P	1SCA104978R1001	1	42.0
4	2500	2500/-	OT2500E22P	1SCA105156R1001	1	49.0

¹⁾ Include a detachable neutral link integrated into the mechanism.

²⁾ I_{th} for N-pole = 1250A

Shafts and handles included as standard

Suitable for switches	Shaft	Handle	Terminal bolts
OT1000...1250_P	OXp12X280	OHB274J12	M12x50
OT1600_P	OXp12X280	OHB274J12	M12x60
OT2000...2500_P	OXp12X280	OHB274J12	M12x60

Ordering information

Front operated switch-disconnectors, IEC



OT3200...4000E02P



OT3200...4000E03P



OT3200...4000E04P

Switch-disconnectors, base mounting, IEC

Including terminal bolt kit. In OT_P -types a black ON-OFF plastic handle and shaft as standard. The handle is IP65 protected, padlockable in the OFF-position and with door interlock in the ON-position. The shaft can be adjusted to different installation depths.

Number of poles	I_{th} (open) [A]	Rated operat. currents AC21B/AC22B 415V [A/A]	Type	Order number	Units/type [pcs]	Weight/unit [kg]
Handle and shat have to be ordered separately						
2	3200	3200/3200	OT3200E02	1SCA128579R1001	1	22.3
3	3200	3200/3200	OT3200E03	1SCA128480R1001	1	29.7
4	3200	3200/3200	OT3200E04	1SCA128479R1001	1	37.1
2	3800	3800/3800	OT4000E02	1SCA128596R1001	1	25.4
3	3800	3800/3800	OT4000E03	1SCA124847R1001	1	33.9
4	3800	3800/3800	OT4000E04	1SCA124855R1001	1	42.7
The delivery includes the handle and the shaft						
2	3200	3200/3200	OT3200E02P	1SCA128581R1001	1	23.0
3	3200	3200/3200	OT3200E03P	1SCA128481R1001	1	30.7
4	3200	3200/3200	OT3200E04P	1SCA128482R1001	1	38.1
2	3800	3800/3800	OT4000E02P	1SCA128595R1001	1	26.0
3	3800	3800/3800	OT4000E03P	1SCA124848R1001	1	34.9
4	3800	3800/3800	OT4000E04P	1SCA124856R1001	1	43.7

Shafts and handles included as standard

Suitable for switches	Shaft	Handle	Terminal bolts
OT3200...4000E02...04	-	-	M12x60
OT3200...4000E02...04P	0XP12X280	0HB274J12	M12x60

Ordering information

Front operated switch-disconnectors, IEC



OT160EV03K
OT200...250E03K



OT315...400E03K



OT630...800E03K



OT630...800E04K

Switch-disconnectors with direct mount handle, base mounting, IEC

Including a black Test-OFF-ON plastic handle and shaft as standard.

The handle is padlockable in the OFF-position.

Number of poles	I _{th} (open) [A]	Rated operat. currents AC22A/AC23A 400V [A/A]	Type	Order number	Units/ type [pcs]	Weight/ unit [kg]
3	200	200/160	OT160EV03K	1SCA120513R1001	1	1.5
4	200	200/160	OT160EV04K	1SCA120520R1001	1	1.9
3	200	200/200	OT200E03K	1SCA022763R4820	1	1.5
4	200	200/200	OT200E04K	1SCA022763R4910	1	1.9
3	250	250/250	OT250E03K	1SCA022763R5040	1	1.5
4	250	250/250	OT250E04K	1SCA022763R5210	1	1.9
3	315	315/315	OT315E03K	1SCA022763R5630	1	2.9
4	315	315/315	OT315E04K	1SCA022763R5710	1	3.5
3	400	400/400	OT400E03K	1SCA022763R5390	1	2.9
4	400	400/400	OT400E04K	1SCA022763R5550	1	3.5
3	630	630/630	OT630E03K	1SCA022779R4940	1	6.3
4	630	630/630	OT630E04K	1SCA022779R5080	1	7.5
3	800	800/800	OT800E03K	1SCA022779R5160	1	6.3
4	800	800/800	OT800E04K	1SCA022779R5240	1	7.5
3	1000	1000/1000	OT1000E03K	1SCA108353R1001	1	17.5
4	1000	1000/1000	OT1000E04K	1SCA108355R1001	1	21.5
3	1250	1250/1250	OT1250E03K	1SCA108356R1001	1	17.5
4	1250	1250/1250	OT1250E04K	1SCA108357R1001	1	21.5
3	1600	1600/1250	OT1600E03K	1SCA108352R1001	1	18.5
4	1600	1600/1250	OT1600E04K	1SCA108358R1001	1	21.5
3	2000	2000/-	OT2000E03K	1SCA108359R1001	1	42.3
4	2000	2000/-	OT2000E04K	1SCA108362R1001	1	47.8
3	2500	2500/-	OT2500E03K	1SCA108361R1001	1	42.3
4	2500	2500/-	OT2500E04K	1SCA108363R1001	1	48.8

Shafts and handles included as standard

Suitable for switches	Handle	Terminal bolts
OT160EV...250_K	OTV250EK	M8x25
OT315...400_K	OTV400EK	M10x30
OT630...800_K	OTV800EK	M12x40
OT1000...1250_K	OTV1000EK	M12x50
OT1600_K	OTV1000EK	M12x60
OT2000...2500_K	OTV1000EK	M12x60

Ordering information

Front operated switch-disconnectors, IEC



OT160EV04WP
OT200...250E04WP



OT160EV22WP
OT200...250E22WP

Switch-disconnectors with wide phase distance, base mounting, IEC

The phase barriers are mounted as standard. Including a black ON-OFF plastic handle and shaft as standard. The handle is IP65 protected, padlockable in the OFF-position and with door interlock in the ON-position. The shaft can be adjusted to different installation depths.

Number of poles	I_{th} (open) [A]	Rated operat. currents AC22A/AC23A 400V [A/A]	Type	Order number	Units/type [pcs]	Weight/unit [kg]
3	200	200/160	OT160EV03WP	1SCA120517R1001	1	1.8
4	200	200/160	OT160EV04WP	1SCA120523R1001	1	2.2
3	200	200/160	OT160EV12WP	1SCA120606R1001	1	1.8
4	200	200/160	OT160EV22WP	1SCA120539R1001	1	2.2
3	200	200/200	OT200E03WP	1SCA022744R2670	1	1.8
4	200	200/200	OT200E04WP	1SCA022744R3130	1	2.2
3	200	200/200	OT200E12WP	1SCA022744R2910	1	1.8
4	200	200/200	OT200E22WP	1SCA022744R3300	1	2.2
3	250	250/250	OT250E03WP	1SCA022744R3560	1	1.8
4	250	250/250	OT250E04WP	1SCA022744R3810	1	2.2
3	250	250/250	OT250E12WP	1SCA022745R0000	1	1.8
4	250	250/250	OT250E22WP	1SCA022745R0180	1	2.2
3	315	315/315	OT315E03WP	1SCA022809R8650	1	3.4
4	315	315/315	OT315E04WP	1SCA022809R8900	1	4.0
3	315	315/315	OT315E12WP	1SCA022809R9380	1	3.4
4	315	315/315	OT315E22WP	1SCA022810R0900	1	4.0
3	400	400/400	OT400E03WP	1SCA022809R8310	1	3.4
4	400	400/400	OT400E04WP	1SCA022809R8810	1	4.0
3	400	400/400	OT400E12WP	1SCA022809R9200	1	3.4
4	400	400/400	OT400E22WP	1SCA022810R0570	1	4.0

Shafts and handles included as standard

Suitable for switches	Shaft	Handle	Terminal bolts
OT200...250_P	OXp6X210	OHB65J6	M8x25
OT315...400_P	OXp12X185	OHB95J12	M10x30

Ordering information

Front operated switch-disconnectors, IEC



OT1000...1250E03W4P



OT1000...1250E03W8P



OT2000...2500E03W4



OT2000...2500E03W8

Switch-disconnectors with wide phase distance, base mounting, IEC

Including a black ON-OFF plastic handle and shaft as standard. The handle is IP65 protected, padlockable in the OFF-position and with door interlock in the ON-position. The shaft is adjustable for a range of installation depths.

Number of poles	I_{th} (open) [A]	Rated operat. currents AC22A/400V AC23A 400V [A/A]	Type	Order number	Units/type [pcs]	Weight/unit [kg]
3	1000	1000/1000	OT1000E03W4P	1SCA022871R7310	1	19.8
4	1000	1000/1000	OT1000E04W4P	1SCA100762R1001	1	24.0
3	1000	1000/1000	OT1000E03W8P	1SCA022871R8110	1	22.0
3	1250	1250/1250	OT1250E03W4P	1SCA022866R1920	1	19.8
4	1250	1250/1250	OT1250E04W4P	1SCA022866R2220	1	24.0
3	1250	1250/1250	OT1250E03W8P	1SCA022871R8540	1	22.0
3	1600	1600/1250	OT1600E03W4P	1SCA022865R9860	1	22.0
4	1600	1600/1250	OT1600E04W4P	1SCA022866R1090	1	26.0
3	1600	1600/1250	OT1600E03W8P	1SCA022871R8970	1	24.0
3	2000	2000/-	OT2000E03W4P	1SCA108042R1001	1	42.0
4	2000	2000/-	OT2000E13W4P	1SCA109284R1001	1	48.0
3	2000	2000/-	OT2000E03W8P	1SCA108045R1001	1	42.0
4	2000	2000/-	OT2000E13W8P	1SCA109283R1001	1	48.0
3	2500	2500/-	OT2500E03W4P	1SCA108047R1001	1	49.0
4	2500	2500/-	OT2500E13W4P	1SCA109285R1001	1	49.0
3	2500	2500/-	OT2500E03W8P	1SCA108049R1001	1	49.0
4	2500	2500/-	OT2500E13W8P	1SCA109286R1001	1	49.0

W4 = Phase distance 140 mm
W8 = Phase distance 185 mm

Shafts and handles included as standard

Suitable for switches	Shaft	Handle	Terminal bolts
OT1000...1250_P	OX P12X280	OHB274J12	M12X50
OT1600_P	OX P12X280	OHB274J12	M12X60
OT2000...2500_P	OX P12X280	OHB274J12	M12X60

Ordering information

Front operated, non-fusible disconnect switches, UL/CSA



OT16...40F3



OT16...40FT3



OT63...80F3



OT63...80FT3



OT30...100F3

Non-fusible disconnect switches, base/DIN-rail mounting and door mounting, UL/CSA

The type and ordering numbers are for one piece.

F -types = base and DIN-rail mounting, _FT_ -types = door mounting

Number of poles	Ampere rating [A]	Horsepower rating 3-phase [HP]			Type	Order number	Delivery batch [pcs]	Weight/unit [kg]
		240V	480V	600V				
Shafts and handles need to be ordered separately.								
3	20	5	10	10	OT16F3	1SCA104811R1001	10	0.11
4	20	5	10	10	OT16F4N2	1SCA104829R1001	10	0.14
3	20	5	10	10	OT16FT3	1SCA104838R1001	10	0.13
4	20	5	10	10	OT16FT4N2	1SCA105711R1001	10	0.16
3	30	7.5	15	20	OT25F3	1SCA104857R1001	10	0.11
4	30	7.5	15	20	OT25F4N2	1SCA104886R1001	10	0.14
3	30	7.5	15	20	OT25FT3	1SCA104884R1001	10	0.13
4	30	7.5	15	20	OT25FT4N2	1SCA104900R1001	10	0.16
3	40	10	20	25	OT40F3	1SCA104902R1001	10	0.11
4	40	10	20	25	OT40F4N2	1SCA104932R1001	10	0.14
3	40	10	20	25	OT40FT3	1SCA104940R1001	10	0.13
4	40	10	20	25	OT40FT4N2	1SCA104956R1001	10	0.16
3	60	15	30	30	OT63F3	1SCA105332R1001	10	0.27
4	60	15	30	30	OT63F4N2	1SCA105365R1001	10	0.30
3	60	15	30	30	OT63FT3	1SCA105382R1001	10	0.28
4	60	15	30	30	OT63FT4N2	1SCA105393R1001	10	0.35
3	80	20	40	40	OT80F3	1SCA105798R1001	10	0.27
4	80	20	40	40	OT80F4N2	1SCA105413R1001	10	0.30
3	80	20	40	40	OT80FT3	1SCA105431R1001	10	0.28
4	80	20	40	40	OT80FT4N2	1SCA105499R1001	10	0.35
3	30	10	20	30	OT30F3	1SCA105068R1001	10	0.36
4	30	10	20	30	OT30F4N2	1SCA108347R1001	10	0.50
3	60	20	40	40	OT60F3	1SCA105076R1001	10	0.36
4	60	20	40	40	OT60F4N2	1SCA108348R1001	10	0.50
3	100	30	50	50	OT100F3	1SCA105004R1001	10	0.36
4	100	30	50	50	OT100F4N2	1SCA105018R1001	10	0.50

Approvals:

- OT16...80: UL 508, CSA 22-2 # 14

- OT30...100: UL 98, CSA 22-2 # 4

- IEC 60947-3

Ordering information

Front operated, non-fusible disconnect switches, UL/CSA



OT16...40F6



OT63...80F8

6- and 8-pole non-fusible disconnect switches, base/DIN-rail mounting, UL/CSA

Including protected terminal clamps, IP20.

Number of poles	I_{th} (open) [A]	Cable cross section [mm ²]	Rated operat. currents AC22A/AC23A 400V [A/A]	Type	Order number	Units/type [pcs]	Weight/unit [kg]
Shaft and handle need to be ordered separately							
6	25	0.75...10	16/16	OT16F6	1SCA104834R1001	1	0.25
6	32	0.75...10	25/20	OT25F6	1SCA104880R1001	1	0.25
6	40	0.75...10	40/23	OT40F6	1SCA104936R1001	1	0.25
6	63	1.5...35	63/45	OT63F6	1SCA105379R1001	1	0.61
6	80	1.5...35	80/75	OT80F6	1SCA105427R1001	1	0.61
6	115	10...70	100/80	OT100F6	1SCA105021R1001	1	0.81
6	125	10...70	125/90	OT125F6	1SCA105057R1001	1	0.81
8	25	0.75...10	16/16	OT16F8	1SCA104836R1001	1	0.31
8	32	0.75...10	25/20	OT25F8	1SCA104882R1001	1	0.31
8	40	0.75...10	40/23	OT40F8	1SCA104938R1001	1	0.31
8	63	1.5...35	63/45	OT63F8	1SCA105381R1001	1	0.67
8	80	1.5...35	80/75	OT80F8	1SCA105429R1001	1	0.67
8	115	10...70	100/80	OT100F8	1SCA105022R1001	1	1.10
8	125	10...70	125/90	OT125F8	1SCA105059R1001	1	1.10

Ordering information

Front operated, non-fusible disconnect switches, UL/CSA



OT200U03P



OT400U03P



OT600U03P



OT600U12P



OT600U04P



OT600U22P



OT800...1200U03P

Non-fusible disconnect switches, base mounting, UL/CSA

Number of poles	Ampere rating* [A]	Horsepower rating 3-phase [HP]			Type	Order number	Units/ type [pcs]	Weight/ unit [kg]
		240V	480V	600V				
Handle (NEMA 1, 3R, 12, IP65) and shaft have to be ordered separately								
3	200	75	150	200	OT200U03	1SCA022723R0220	1	1.6
4	200	75	150	200	OT200U04	1SCA022723R0490	1	2.0
3	200	75	150	200	OT200U12	1SCA022752R1890	1	1.6
4	200	75	150	200	OT200U22	1SCA022741R8960	1	2.0
3	400	125	250	350	OT400U03	1SCA022747R6490	1	3.0
4	400	125	250	350	OT400U04	1SCA022748R1060	1	3.6
3	400	125	250	350	OT400U12	1SCA022754R6450	1	3.0
4	400	125	250	350	OT400U22	1SCA022762R7110	1	3.6
3	600	200	450	500	OT600U03	1SCA022798R0730	1	6.2
4	600	200	450	500	OT600U04	1SCA022800R1750	1	7.5
3	600	200	450	500	OT600U12	1SCA022800R1830	1	6.2
4	600	200	450	500	OT600U22	1SCA022800R2130	1	7.5
3	800	250	500	500	OT800U03	1SCA105635R1001	1	18
4	800	250	500	500	OT800U04	1SCA105636R1001	1	21
3	800	250	500	500	OT800U12	1SCA105637R1001	1	18
4	800	250	500	500	OT800U22	1SCA105639R1001	1	21
3	1200	-	-	-	OT1200U03	1SCA022860R6820	1	18
4	1200	-	-	-	OT1200U04	1SCA022860R7040	1	21
3	1200	-	-	-	OT1200U12	1SCA105659R1001	1	18
4	1200	-	-	-	OT1200U22	1SCA105663R1001	1	21

Approvals:

- OT160...1200: UL 98, CSA 22-2 # 4
- IEC 60947-3

*Please consult us for UL 98 rating above 1200 A

Recommended shafts and handles

Suitable for switches	Shaft	Handle	Terminal bolts
OT200U_	XP6X210	OHB65J6	M8x25
OT400U_	XP12X185	OHB95J12	M10x30
OT600U_	XP12X185	OHB125J12	M12x40

Ordering information

Side operated switch-disconnectors, IEC



OT160EVS04K
OT200...250ES04K



OT630...800ES03K



OT630...800ES04



OT630...800ES04K

Side operated switch-disconnectors, base mounting, IEC

Number of poles	I_{th} (open) [A]	Rated operat. currents AC22A/AC23A 400V [A/A]	Type	Order number	Units/ type [pcs]	Weight/ unit [kg]
Handle and shaft have to be ordered separately						
3	200	200/160	OT160EVS03	1SCA120563R1001	1	1.8
4	200	200/160	OT160EVS04	1SCA120564R1001	1	2.2
3	200	200/200	OT200ES03	1SCA022860R0200	1	1.8
4	200	200/200	OT200ES04	1SCA022860R0540	1	2.2
3	250	250/250	OT250ES03	1SCA022860R0890	1	1.8
4	250	250/250	OT250ES04	1SCA022860R1010	1	2.2
3	315	315/315	OT315ES03	1SCA022860R1270	1	3.4
4	315	315/315	OT315ES04	1SCA022860R1510	1	4.0
3	400	400/400	OT400ES03	1SCA022860R1780	1	3.4
4	400	400/400	OT400ES04	1SCA022860R1940	1	4.0
3	630	630/630	OT630ES03	1SCA022860R2240	1	7.0
4	630	630/630	OT630ES04	1SCA022860R2410	1	8.2
3	800	800/800	OT800ES03	1SCA022860R2670	1	7.0
4	800	800/800	OT800ES04	1SCA022860R2830	1	8.2

Including a black Test-ON-OFF direct mounting plastic handle and shaft as standard

The handle is padlockable in the OFF-position.

3	200	200/160	OT160EVS03K	1SCA120570R1001	1	1.9
4	200	200/160	OT160EVS04K	1SCA120565R1001	1	2.3
3	200	200/200	OT200ES03K	1SCA022860R0620	1	1.9
4	200	200/200	OT200ES04K	1SCA022860R0710	1	2.3
3	250	250/250	OT250ES03K	1SCA022860R0970	1	1.9
4	250	250/250	OT250ES04K	1SCA022860R1190	1	2.3
3	315	315/315	OT315ES03K	1SCA022860R1350	1	3.5
4	315	315/315	OT315ES04K	1SCA022860R1600	1	4.1
3	400	400/400	OT400ES03K	1SCA022860R1860	1	3.5
4	400	400/400	OT400ES04K	1SCA022860R2080	1	4.1
3	630	630/630	OT630ES03K	1SCA022860R2320	1	7.0
4	630	630/630	OT630ES04K	1SCA022860R2590	1	8.4
3	800	800/800	OT800ES03K	1SCA022860R2750	1	7.2
4	800	800/800	OT800ES04K	1SCA022860R2910	1	8.4

Terminal bolt kits included as standard

Suitable for switches	Terminal bolts
OT160EV...250	M8x25
OT315...400	M10x30
OT630...800	M12x40

Ordering information

Earthing switches, IEC



OT1000...1250EM03P



OT2000...2500EM03P

Earthing switches, bottom mounted, IEC

Number of poles	$I_{cw} / 1\text{ s}$ [kA]	$I_{cw} / 0,25\text{ s}$ [kA]	I_{cm} peak [kA]	Type	Order number	Unit/type [pcs]	Weight/unit [kg]
-----------------	----------------------------	-------------------------------	--------------------	------	--------------	-----------------	------------------

The mechanism is turned 90 degrees for space saving

Including terminal bolt kit, a black OFF - \perp plastic handle and shaft as standard. The handle is padlockable in OFF- and \perp -position.

$I_{cw} / 1\text{ s} = 50\text{ kA}$, $I_{cm} = 110\text{ kA}$ (peak)

3	50	50	110	OT1000EM03P	1SCA118937R1001	1	17.5
4	50	50	92	OT1000EM04P	1SCA118950R1001	1	20.0
3	50	50	110	OT1250EM03P	1SCA115708R1001	1	17.5
4	50	50	92	OT1250EM04P	1SCA118949R1001	1	20.0
3	50	50	110	OT1600EM03P	1SCA115815R1001	1	19.5
4	50	50	92	OT1600EM04P	1SCA118948R1001	1	22.5

$I_{cw} / 1\text{ s} = 55\text{ kA}$, $I_{cw} / 0,25\text{ s} = 80\text{ kA}$, $I_{cm} = 176\text{ kA}$ (peak)

3	55	80	176	OT2000EM03P	1SCA118939R1001	1	42.5
4	55	80	176	OT2000EM04P	1SCA118947R1001	1	49.5
3	55	80	176	OT2500EM03P	1SCA115835R1001	1	42.5
4	55	80	176	OT2500EM04P	1SCA118946R1001	1	49.5

Earthing switches with wide phase distances, bottom mounted, IEC

Number of poles	$I_{cw} / 1\text{ s}$ [kA]	$I_{cw} / 0,25\text{ s}$ [kA]	I_{cm} peak [kA]	Type	Order number	Unit/type [pcs]	Weight/unit [kg]
-----------------	----------------------------	-------------------------------	--------------------	------	--------------	-----------------	------------------

The mechanism is turned 90 degrees for space saving

Including terminal bolt kit, a black OFF - \perp plastic handle and shaft as standard. The handle is padlockable in OFF- and \perp -position. W4=140mm, W8=185mm.

$I_{cw} / 1\text{ s} = 50\text{ kA}$, $I_{cm} = 110\text{ kA}$ (peak)

3	50	50	110	OT1250EM03W4P	1SCA115805R1001	1	20.5
3	50	50	110	OT1250EM03W8P	1SCA115810R1001	1	22.5
4	50	50	92	OT1250EM04W4P	1SCA118940R1001	1	24.5
4	50	50	92	OT1250EM04W8P	1SCA118941R1001	1	26.5
3	50	50	110	OT1600EM03W4P	1SCA115822R1001	1	20.5
3	50	50	110	OT1600EM03W8P	1SCA115827R1001	1	22.5
4	50	50	92	OT1600EM04W4P	1SCA118942R1001	1	24.5
4	50	50	92	OT1600EM04W8P	1SCA118944R1001	1	26.5

$I_{cw} / 1\text{ s} = 55\text{ kA}$, $I_{cw} / 0,25\text{ s} = 80\text{ kA}$, $I_{cm} = 176\text{ kA}$ (peak)

3	55	80	176	OT2500EM03W4P	1SCA115840R1001	1	45.0
3	55	80	176	OT2500EM03W8P	1SCA115843R1001	1	47.0
4	55	80	176	OT2500EM04W4P	1SCA118943R1001	1	52.0
4	55	80	176	OT2500EM04W8P	1SCA118945R1001	1	54.0

Ordering information

Earthing switches, IEC



OT1000...1250EP03P



OT1600EP04P



OT2000...2500EP03P

Earthing switches, base mounted, IEC

Including terminal bolt kit, a black OFF - \perp plastic handle and shaft as standard.

The handle is padlockable in OFF- and \perp -position

Number of poles	$I_{cw} / 1\text{ s}$ [kA]	$I_{cw} / 0,25\text{ s}$ [kA]	I_{cm} peak [kA]	Type	Order number	Unit/type [pcs]	Weight/unit [kg]
$I_{cw} / 1\text{ s} = 50\text{ kA}, I_{cm} = 110\text{ kA (peak)}$							
3	50	50	110	OT1000EP03P	1SCA118451R1001	1	17.0
4	50	50	92	OT1000EP04P	1SCA118452R1001	1	19.5
3	50	50	110	OT1250EP03P	1SCA118453R1001	1	17.0
4	50	50	92	OT1250EP04P	1SCA118454R1001	1	19.5
3	50	50	110	OT1600EP03P	1SCA118455R1001	1	19.0
4	50	50	92	OT1600EP04P	1SCA118456R1001	1	22.0
$I_{cw} / 1\text{ s} = 55\text{ kA}, I_{cw} / 0,25\text{ s} = 80\text{ kA}, I_{cm} = 176\text{ kA (peak)}$							
3	55	80	176	OT2000EP03P	1SCA118457R1001	1	42.0
4	55	80	176	OT2000EP04P	1SCA118458R1001	1	49.0
3	55	80	176	OT2500EP03P	1SCA118459R1001	1	42.0
4	55	80	176	OT2500EP04P	1SCA118460R1001	1	49.0

Ordering information

Motorized switch-disconnectors, IEC



OTM40...125F3M_



OTM40...125F4M_

Motorized switch-disconnectors OTM, IEC

Including a handle for manual operation and tunnel terminals.

Type codes for motor voltage $U_e = 220...240$ VAC/DC.

Rated current			Number of poles	Type	Order code	Unit/type [pcs]	Weight/unit [kg]
AC-22A $\leq 690V$ [A]	AC-23A 415/690V [A]						
40	40/40	3	OTM40F3M230V	1SCA122972R1001	1	1.13	
63	63/40	3	OTM63F3M230V	1SCA122971R1001	1	1.13	
80	80/40	3	OTM80F3M230V	1SCA122970R1001	1	1.13	
100	80/40	3	OTM100F3M230V	1SCA122969R1001	1	1.13	
125	90/50	3	OTM125F3M230V	1SCA122968R1001	1	1.13	
40	40/40	4	OTM40F4M230V	1SCA122977R1001	1	1.24	
63	63/40	4	OTM63F4M230V	1SCA122976R1001	1	1.24	
80	80/40	4	OTM80F4M230V	1SCA122975R1001	1	1.24	
100	80/40	4	OTM100F4M230V	1SCA122974R1001	1	1.24	
125	90/50	4	OTM125F4M230V	1SCA122973R1001	1	1.24	

Handle included as standard

Suitable for switch disconnectors	Handle+shaft kit
OTM40...125	OHB65D6CM

Ordering information

Motorized switch-disconnectors, IEC



OTM315...400E3M_



OTM630...800E3M_



OTM1000...1250E3M_



OTM1600E3M_



OTM2000...2500EM_

Motorized switch-disconnectors OTM, IEC

Including a handle for manual operation, bolt kit with nut and washers for all terminals, male connectors for control circuit and a handle and spare fuse storage clip. Type codes for motor voltage $U_e = 220...240$ VAC or VAC/DC, see table below. IEC type with standard phase distance.

Rated current AC-22A/AC-23A ≤ 690V [A]	Voltage U_e 220...240V	Number of poles	Type	Order number	Units/ type [pcs]	Weight/ unit [kg]
160/160	AC/DC	2	OTM160E2M230V	1SCA121183R1001	1	4.3
160/160	AC	3	OTM160E3M230C	1SCA115283R1001	1	4.6
160/160	AC	4	OTM160E4M230C	1SCA115293R1001	1	5.0
200/200	AC/DC	2	OTM200E2M230V	1SCA121184R1001	1	4.3
200/200	AC	3	OTM200E3M230C	1SCA115284R1001	1	4.6
200/200	AC	4	OTM200E4M230C	1SCA115292R1001	1	5.0
250/250	AC/DC	2	OTM250E2M230V	1SCA121185R1001	1	4.3
250/250	AC	3	OTM250E3M230C	1SCA115285R1001	1	4.6
250/250	AC	4	OTM250E4M230C	1SCA115290R1001	1	5.0
315/315	AC/DC	2	OTM315E2M230V	1SCA121189R1001	1	7.7
315/315	AC	3	OTM315E3M230C	1SCA115334R1001	1	8.4
315/315	AC	4	OTM315E4M230C	1SCA115335R1001	1	9.0
400/400	AC/DC	2	OTM400E2M230V	1SCA121199R1001	1	7.7
400/400	AC	3	OTM400E3M230C	1SCA115333R1001	1	8.4
400/400	AC	4	OTM400E4M230C	1SCA115336R1001	1	9.0
630/630	AC/DC	2	OTM630E2M230V	1SCA121190R1001	1	11.6
630/630	AC	3	OTM630E3M230C	1SCA115354R1001	1	17.4
630/630	AC	4	OTM630E4M230C	1SCA115357R1001	1	18.9
800/800	AC/DC	2	OTM800E2M230V	1SCA121197R1001	1	11.6
800/800	AC	3	OTM800E3M230C	1SCA115355R1001	1	17.4
800/800	AC	4	OTM800E4M230C	1SCA115356R1001	1	18.9
1000/1000	AC/DC	2	OTM1000E2M230V	1SCA121396R1001	1	32.4
1000/1000	AC	3	OTM1000E3M230C	1SCA115364R1001	1	37.0
1000/1000	AC	4	OTM1000E4M230C	1SCA115368R1001	1	42.0
1250/1250	AC/DC	2	OTM1250E2M230V	1SCA121193R1001	1	32.4
1250/1250	AC	3	OTM1250E3M230C	1SCA115365R1001	1	37.0
1250/1250	AC	4	OTM1250E4M230C	1SCA115367R1001	1	42.0
1600/1250	AC	3	OTM1600E3M230C	1SCA115366R1001	1	39.0
1600/1250	AC	4	OTM1600E4M230C	1SCA115369R1001	1	44.0
2000 ¹⁾ /-	AC/DC	2	OTM2000E2M230V	1SCA121201R1001	1	32.4
2000 ¹⁾ /-	AC	3	OTM2000E3M230C	1SCA115372R1001	1	47.0
2000 ¹⁾ /-	AC	4	OTM2000E4M230C	1SCA115374R1001	1	55.0
2500 ¹⁾ /-	AC/DC	2	OTM2500E2M230V	1SCA121195R1001	1	32.4
2500 ¹⁾ /-	AC	3	OTM2500E3M230C	1SCA115373R1001	1	47.0
2500 ¹⁾ /-	AC	4	OTM2500E4M230C	1SCA115375R1001	1	55.0

¹⁾ Category B, infrequent operation

Handle and bolt kits included as standard

Suitable for switch disconnectors	Handle+shaft kit	Bolt kit
OTM160...250	OTV250EMK	M8x25
OTM315...400	OTV400EMK	M10x30
OTM630...800	OTV800EMK	M12x40
OTM1000...1250	OTV1000EMK	M12x50
OTM1600...2500	OTV1000EMK	M12x60

Ordering information

Motorized switch-disconnectors, IEC



OTM160...250E3WM_



OTM160...250E4WM_

Motorized switch-disconnectors OTM with wide phase distance, IEC

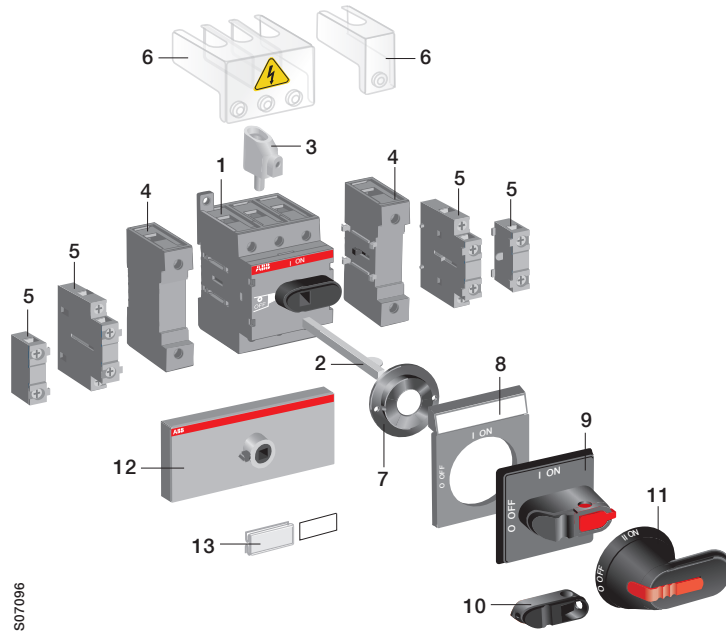
Including a handle for manual operation, bolt kit with nut and washers for all terminals, male connectors for control circuit and a handle and spare fuse storage clip. Type codes for motor voltage $U_e = 220...240$ VAC or VAC/DC, see table below.

Rated current AC-22A/ AC-23A $\leq 690V [A]$	Voltage U_e 220...240V	Number of poles	Type	Order number	Units/ type [pcs]	Weight/ unit [kg]
160/160	AC/DC	2	OTM160E2WM230V	1SCA121186R1001	1	4.3
160/160	AC	3	OTM160E3WM230C	1SCA115286R1001	1	4.7
160/160	AC	4	OTM160E4WM230C	1SCA115295R1001	1	5.1
200/200	AC/DC	2	OTM200E2WM230V	1SCA121187R1001	1	4.3
200/200	AC	3	OTM200E3WM230C	1SCA115288R1001	1	4.7
200/200	AC	4	OTM200E4WM230C	1SCA115296R1001	1	5.1
250/250	AC/DC	2	OTM250E2WM230V	1SCA121188R1001	1	4.3
250/250	AC	3	OTM250E3WM230C	1SCA115289R1001	1	4.7
250/250	AC	4	OTM250E4WM230C	1SCA115297R1001	1	5.1
Handle and bolt kits included as standard						
Suitable for switch disconnectors			Handle+shaft kit	Bolt kit		
OTM160...250			OTV250EMK	M8x25		

Accessories

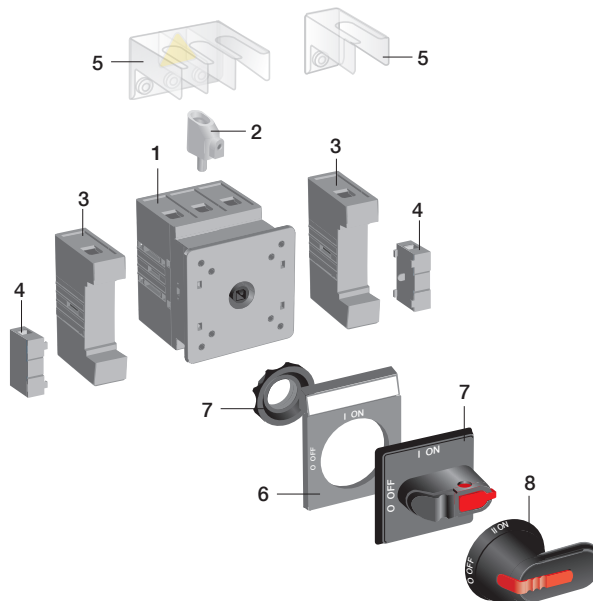
Selection overview

OT16F...OT125F



1 Switch-disconnector | 2 Extended shaft | 3 Terminal clamp | 4 Fourth pole, N- and PE-terminals | 5 Auxiliary contact | 6 Terminal shroud | 7 Shaft alignment ring | 8 Legend plate | 9 Selector type handle | 10 Handle knob | 11 Pistol type handle | 12 Conversion kit | 13 Labelling accessories

OT16FT...OT125FT

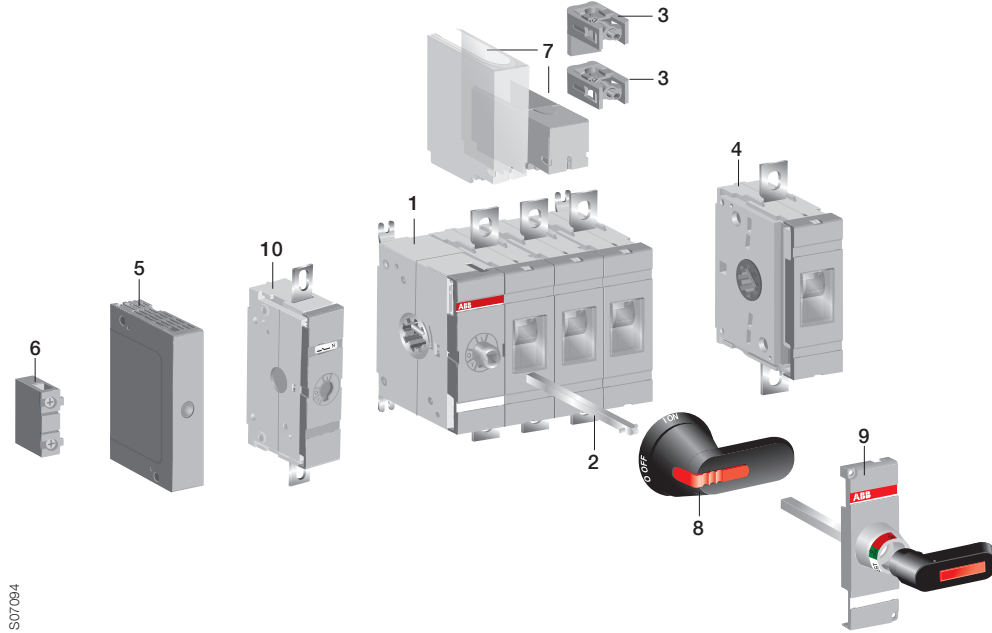


1 Switch-disconnector | 2 Terminal clamp | 3 Fourth pole, N- and PE-terminals | 4 Auxiliary contact | 5 Terminal shroud | 6 Legend plate | 7 Selector type handle | 8 Pistol type handle

Accessories

Selection overview

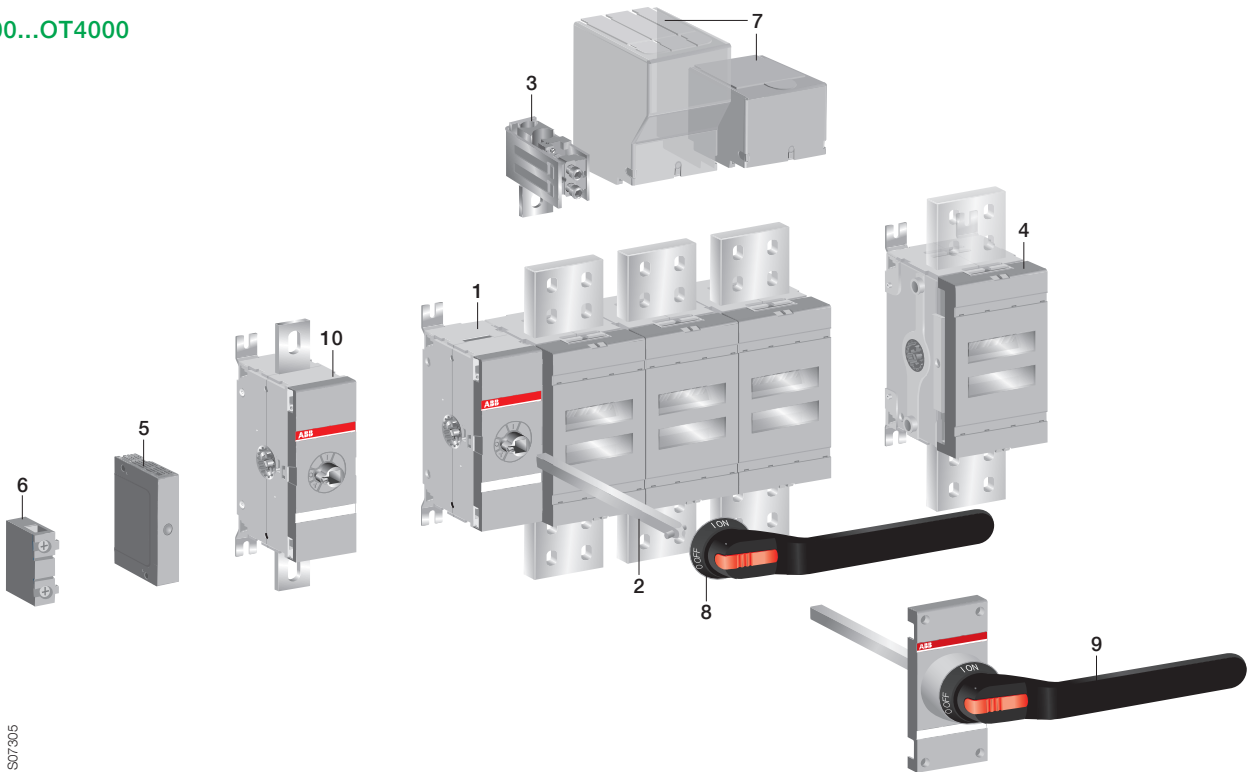
OT160EV...OT1600



S07094

1 Switch-disconnector | 2 Extended shaft | 3 Terminal clamp | 4 Fourth pole | 5 Module for auxiliary contact | 6 Auxiliary contact | 7 Terminal shroud | 8 Pistol type handle | 9 Direct mounting type handle | 10 Detachable neutral link

OT2000...OT4000



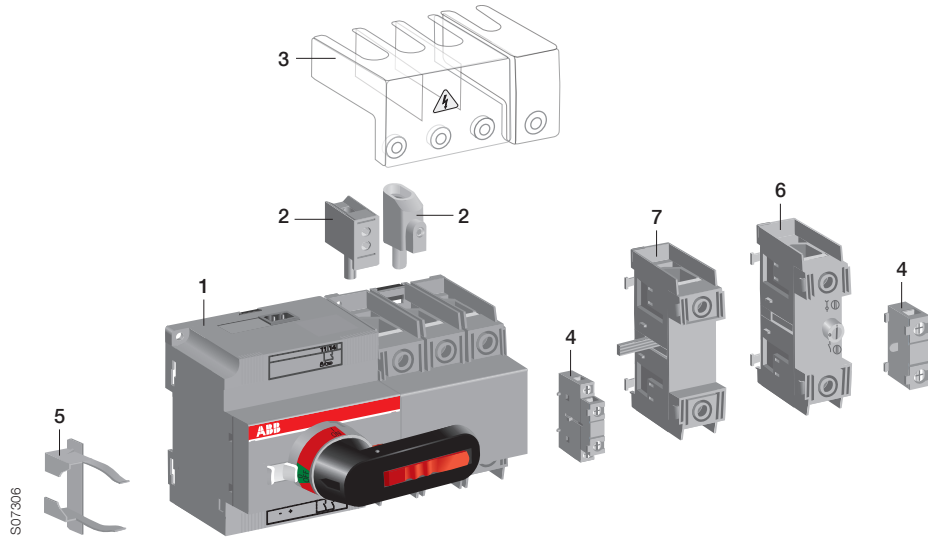
S07305

1 Switch-disconnector | 2 Extended shaft | 3 Terminal clamp | 4 Fourth pole | 5 Module for auxiliary contact | 6 Auxiliary contact | 7 Terminal shroud | 8 Pistol type handle | 9 Direct mounting type handle | 10 Detachable neutral link

Accessories

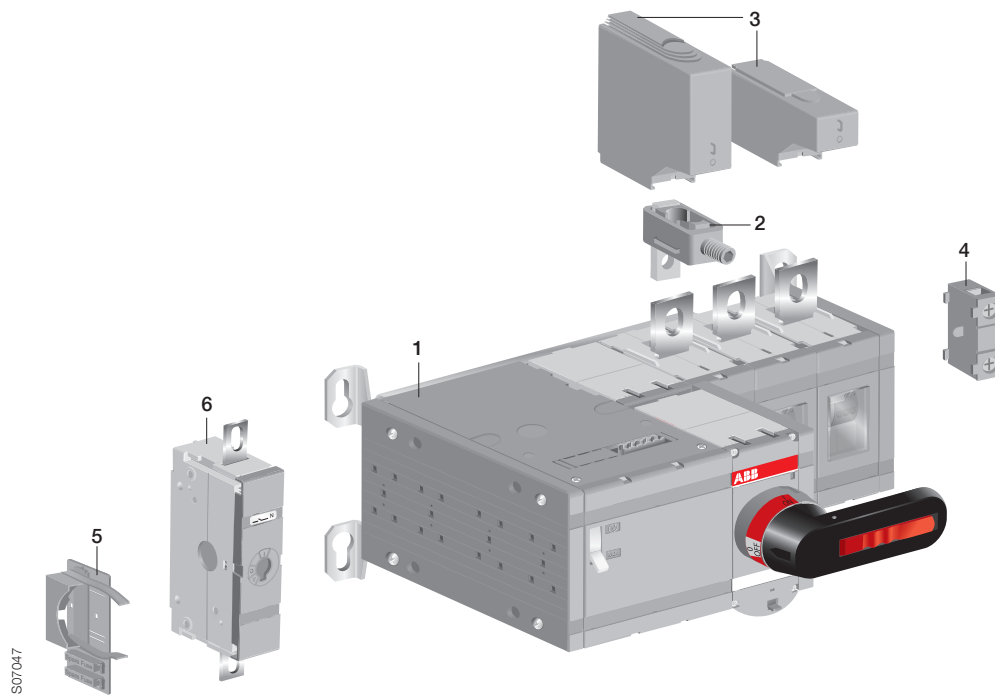
Selection overview

OTM40...OTM125



1 Motorized switch-disconnector | 2 Terminal clamp | 3 Terminal shroud | 4 Auxiliary contact | 5 Storage for handle and fuses | 6 Detachable neutral link | 7 Fourth pole

OTM160...OTM2500



1 Motorized switch-disconnector | 2 Terminal clamp | 3 Terminal shroud | 4 Auxiliary contact | 5 Storage for handle and fuses | 6 Detachable neutral link

Ordering information

Accessories – Handles



OHRS2



OHBS1



OHBS3



OHRS3



OHRS9

Handle knobs, for base and DIN-rail mounted switches

Mounting directly to the switch, no shaft needed.

Colour	Handle length [mm]	Suitable for switches	Type	Order number	Units/ type [pcs]	Weight/ unit [kg]
Padlockable in 0-position with one padlock with bail diameter 5 mm						
Black	37	OT16...40F3/F4	OHBS12	1SCA108252R1001	10	0.01
Red	37	OT16...40F3/F4	OHRS12	1SCA108253R1001	10	0.01
Black	40	OT63...125F3/F4, OT16...40F6/F8	OHBS2	1SCA109089R1001	10	0.01
Black	40	OT63...125F3/F4, OT16...40F6/F8	OHBS2/1	1SCA109090R1001	1	0.01
Red	40	OT63...125F3/F4, OT16...40F6/F8	OHRS2	1SCA108598R1001	10	0.01
Red	40	OT63...125F3/F4, OT16...40F6/F8	OHRS2/1	1SCA108599R1001	1	0.01
Non-padlockable						
Black	31	OT16...80F3/F4	OHBS1	1SCA109087R1001	10	0.01
Black	31	OT16...80F3/F4	OHBS1/1	1SCA109088R1001	1	0.01
Red	31	OT16...80F3/F4	OHRS1	1SCA109095R1001	10	0.01
Red	31	OT16...80F3/F4	OHRS1/1	1SCA109096R1001	1	0.01
Black	39	OT16...125F3/F4, OT16...40F6/F8	OHBS3	1SCA108320R1001	10	0.01
Black	39	OT16...125F3/F4, OT16...40F6/F8	OHBS3/1	1SCA108319R1001	1	0.01
Red	39	OT16...125F3/F4, OT16...40F6/F8	OHRS3	1SCA108667R1001	10	0.01
Red	39	OT16...125F3/F4, OT16...40F6/F8	OHRS3/1	1SCA108688R1001	1	0.01
Black	72	OT63...125F6/F8	OHBS9	1SCA108665R1001	10	0.01
Black	72	OT63...125F6/F8	OHBS9/1	1SCA108689R1001	1	0.01
Red	72	OT63...125F6/F8	OHRS9	1SCA108666R1001	10	0.01
Red	72	OT63...125F6/F8	OHRS9/1	1SCA108690R1001	1	0.01
Handle type			Shaft through the handle		45 mm cut-out enable*	
OHBS1_ , OHRS1_			No		Yes	
OHBS12, OHRS12			Yes		Yes	
OHBS2_ , OHRS2_			No		Yes	
OHBS3_ , OHRS3_			No		Yes	
OHBS9_ , OHRS9_			No		No	

* in I-position the handle shall remain within the cut-out height

Ordering information

Accessories – Handles



OHBS3AH



OHYS3AH



OHBS2AJ



OHYS2AJ



OHBS2AJ_EH

Selector type handles, for base and DIN-rail mounted switches

For shaft diameter 6 mm, door drilling 22.5 mm.

The type and the ordering numbers are for one piece. Indication I-O and ON-OFF.

Colour	Suitable for switches	Type	Order number	Delivery batch [pcs]	Weight/unit [kg]
IP54 handles, NEMA 1					
Black	OT16...80F	OHBS1AH	1SCA102680R1001	150	0.05
Red-yellow	OT16...80F	OHYS1AH	1SCA105290R1001	150	0.05
Silver	OT16...80F	OHSS1AH	1SCA105274R1001	150	0.05
Grey	OT16...80F	OHGS1AH	1SCA105261R1001	150	0.05
Door interlock in ON-position					
Black	OT16...80F	OHBS1AH1	1SCA105210R1001	150	0.05
Red-yellow	OT16...80F	OHYS1AH1	1SCA105291R1001	150	0.05
Silver	OT16...80F	OHSS1AH1	1SCA105275R1001	150	0.05
Grey	OT16...80F	OHGS1AH1	1SCA105262R1001	150	0.05
Padlockable with one padlock with bail diameter 5...6.3 mm					
Black	OT16...125F	OHBS3AH	1SCA105234R1001	150	0.05
Red-yellow	OT16...125F	OHYS3AH	1SCA105325R1001	150	0.05
Silver	OT16...125F	OHSS3AH	1SCA105283R1001	150	0.05
Grey	OT16...125F	OHGS3AH	1SCA105270R1001	150	0.05
Padlockable with one padlock with bail diameter 5...6.3 mm, door interlock in ON-position					
Black	OT16...125F	OHBS3AH1	1SCA105235R1001	150	0.05
Red-yellow	OT16...125F	OHYS3AH1	1SCA105326R1001	150	0.05
Silver	OT16...125F	OHSS3AH1	1SCA105284R1001	150	0.05
Grey	OT16...125F	OHGS3AH1	1SCA105271R1001	150	0.05
IP65 handles, NEMA 1, 3R, 12					
Padlockable with max. 3 padlocks with bail diameter 5...8 mm, door interlock in ON-position, defeatable					
Black	OT16...125F	OHBS2AJ	1SCA105213R1001	120	0.07
Red-yellow	OT16...125F	OHYS2AJ	1SCA105296R1001	120	0.07
Silver	OT16...125F	OHSS2AJ	1SCA105278R1001	120	0.07
Grey	OT16...125F	OHGS2AJ	1SCA105265R1001	120	0.07
Padlockable with max. 3 padlocks with bail diameter 5...8 mm, door interlock in ON-position					
Black	OT16...125F	OHBS2AJ1	1SCA105215R1001	120	0.07
Red-yellow	OT16...125F	OHYS2AJ1	1SCA105297R1001	120	0.07
Silver	OT16...125F	OHSS2AJ1	1SCA105279R1001	120	0.07
Grey	OT16...125F	OHGS2AJ1	1SCA105266R1001	120	0.07

Selector type handle with metal hasp

IP65 handles, NEMA 1, 3R, 12

Padlockable with max. 3 padlocks, door interlock in the ON-position, defeatable

Black	OT16...125F	OHBS2AJEH	1SCA108230R1001	120	0.07
-------	-------------	-----------	-----------------	-----	------

Padlockable with max. 3 padlocks, door interlock in the ON-position, non-defeatable

Black	OT16...125F	OHBS2AJ1EH	1SCA105217R1001	120	0.07
-------	-------------	------------	-----------------	-----	------

- Door interlocking in ON-position means that the door can not be opened, when the handle is in ON-position. This can be defeated in IP65 types to allow authorized personnel access for inspection.

Ordering information

Accessories – Handles



OHBS3PH



OHYS3PH



OHBS2PJ



OHYS2PJ



OHBS3RH



OHYS3RH



OHBS2RJ



OHYS2RJ

Selector type handles, for door mounted switches

Indication I-O and ON-OFF. No separate shaft needed.

The type and the ordering numbers are for one piece.

Colour	Suitable for switches	Type	Order number	Units/type [pcs]	Weight/unit [kg]
Snap-on mounting, door drilling 22,5 mm					
No padlocking, IP54, NEMA 1					
Black	OT16...40FT	OHBS1PH	1SCA105211R1001	150	0.05
Red-yellow	OT16...40FT	OHYS1PH	1SCA105294R1001	150	0.05
Silver	OT16...40FT	OHSS1PH	1SCA105276R1001	150	0.05
Grey	OT16...40FT	OHGS1PH	1SCA105263R1001	150	0.05
Padlockable with one padlock, IP54, NEMA 1					
Black	OT16...40FT	OHBS3PH	1SCA105236R1001	150	0.05
Red-yellow	OT16...40FT	OHYS3PH	1SCA105327R1001	150	0.05
Silver	OT16...40FT	OHSS3PH	1SCA105285R1001	150	0.05
Grey	OT16...40FT	OHGS3PH	1SCA105272R1001	150	0.05
Padlockable with max. 3 padlocks, IP65, NEMA 1, 3R, 12					
Black	OT16...40FT	OHBS2PJ	1SCA105231R1001	120	0.07
Red-yellow	OT16...40FT	OHYS2PJ	1SCA105322R1001	120	0.07
Silver	OT16...40FT	OHSS2PJ	1SCA105280R1001	120	0.07
Grey	OT16...40FT	OHGS2PJ	1SCA105268R1001	120	0.07
Screw mounting, hole distance 36 mm					
No padlocking, IP54, NEMA 1					
Black	OT16...80FT	OHBS1RH	1SCA105212R1001	150	0.05
Red-yellow	OT16...80FT	OHYS1RH	1SCA105295R1001	150	0.05
Silver	OT16...80FT	OHSS1RH	1SCA105277R1001	150	0.05
Grey	OT16...80FT	OHGS1RH	1SCA105264R1001	150	0.05
Padlockable with one padlock, IP54, NEMA 1					
Black	OT16...80FT	OHBS3RH	1SCA105237R1001	150	0.05
Red-yellow	OT16...80FT	OHYS3RH	1SCA105328R1001	150	0.05
Silver	OT16...80FT	OHSS3RH	1SCA105286R1001	150	0.05
Grey	OT16...80FT	OHGS3RH	1SCA105273R1001	150	0.05
Padlockable with max. 3 padlocks, IP65, hole distance 36/48 mm, NEMA 1, 3R, 12					
Black	OT16...125FT	OHBS2RJ	1SCA105232R1001	120	0.07
Red-yellow	OT16...125FT	OHYS2RJ	1SCA105323R1001	120	0.07
Silver	OT16...125FT	OHSS2RJ	1SCA105281R1001	120	0.07
Grey	OT16...125FT	OHGS2RJ	1SCA105269R1001	120	0.07

- Door interlocking in ON-position means that the door can not be opened, when the handle is in ON-position. This can be defeated in IP65 types to allow authorized personnel access for inspection.

Ordering information

Accessories – Handles



OZ331_B



OZ331_RY



OZ371PB

Round padlockable handles, for base and DIN-rail mounted switches

Padlockable in 0-position, max 3 padlocks with max 8 mm hasp diameter.
Indication I-O and ON-OFF

Colour	Suitable for switches	Type	Order number	Delivery batch [pcs]	Weight/unit [kg]
One hole mounting handle, IP65, NEMA 4X outdoor, size 66x66					
Black	OT16...125F_	OZ331SPB	1SCA112983R1001	10	0.05
Red-yellow	OT16...125F_	OZ331SPRY	1SCA113097R1001	10	0.05
IP67, IP69K, NEMA 4X, size 66x66					
Black	OT16...125F_	OZ331P67B	1SCA111427R1001	10	0.04
Red-yellow	OT16...125F_	OZ331P67RY	1SCA111429R1001	10	0.04
Handles with door coupling in ON-position, not defeatable, IP65, NEMA 4X, size 66x66					
Shaft alignment ring for OZ371P_ handle, see page 54.					
Black	OT16...125F_	OZ371PB	1SCA111684R1001	10	0.05
Red-yellow	OT16...125F_	OZ371PRY	1SCA111685R1001	10	0.05

Ordering information

Accessories – Handles



OHB_



OHY_



OHB_

Pistol type handles, for base and DIN-rail mounted switches

IP65, NEMA 1, 3R, 12, padlockable with three padlocks in OFF-position, door interlock in ON-position. Screw fixing from the back side of the handle. No screws on the front ensures double insulation. The type and the ordering numbers are for one piece.

Colour	Handle length [mm]	Type	Order number	Delivery batch [pcs]	Weight/unit [kg]
Suitable for switches OT16...125F, for shaft diameter 6 mm					
Indication in types OHB and OHY: I-0, ON-OFF, in types OHG: I-0					
Black	45	OHB45J6	1SCA022380R8770	100	0.10
Red-yellow	45	OHY45J6	1SCA022380R8930	100	0.10
Grey	45	OHG45J6	1SCA022380R8850	100	0.10
Suitable for switches OT160EV...250, for shaft diameter 6 mm					
Indication in types OHB and OHY: I-0, ON-OFF, in types OHG: I-0					
Black	65	OHB65J6	1SCA022380R9660	100	0.12
Red-yellow	65	OHY65J6	1SCA022380R9820	100	0.12
Grey	65	OHG65J6	1SCA022380R9740	100	0.12
Black	80	OHB80J6	1SCA022381R0240	100	0.14
Red-yellow	80	OHY80J6	1SCA022381R0410	100	0.14
Grey	80	OHG80J6	1SCA022381R0320	100	0.14
Indication: Test-OFF-ON/Test-0-I					
Black	65	OHB65J6T	1SCA022399R8110	100	0.12
Red-yellow	65	OHY65J6T	1SCA022456R9540	100	0.12
Suitable for switches OT315...400, for shaft diameter 12 mm					
Indication OHB and OHY: I-0, ON-OFF, in types OHG: I-0					
Black	95	OHB95J12	1SCA022381R0830	90	0.16
Red-yellow	95	OHY95J12	1SCA022381R1050	90	0.16
Grey	95	OHG95J12	1SCA022381R0910	90	0.16
Indication: Test-OFF-ON/Test-0-I					
Black	95	OHB95J12T	1SCA022736R1750	90	0.16
Red-yellow	95	OHY95J12T	1SCA022736R1910	90	0.16
Suitable for switches OT630...800, for shaft diameter 12 mm					
Indication OHB and OHY: I-0, ON-OFF, in types OHG: I-0					
Black	125	OHB125J12	1SCA022381R1560	90	0.17
Red-yellow	125	OHY125J12	1SCA022381R1720	90	0.17
Grey	125	OHG125J12	1SCA022381R1640	90	0.17
Black	145	OHB145J12	1SCA022381R2110	90	0.17
Red-yellow	145	OHY145J12	1SCA022381R2370	90	0.17
Grey	145	OHG145J12	1SCA132709R1001	90	0.17
Indication: Test-OFF-ON/Test-0-I					
Black	125	OHB125J12T	1SCA022652R2220	90	0.17
Red-yellow	125	OHY125J12T	1SCA022652R2310	90	0.17
Black	145	OHB145J12T	1SCA022652R2570	90	0.17
Red-yellow	145	OHY145J12T	1SCA022652R2650	90	0.17
Black	175	OHB175J12T	1SCA022708R0740	90	0.18
Red-yellow	175	OHY175J12T	1SCA111508R1001	90	0.18

- Door interlocking in ON-position means that the door can not be opened, when the handle is in ON-position. This can be defeated in IP65 types to allow authorized personnel access for inspection.
- NEMA 4, 4x pistol handles available on request.
- Handles padlockable in all positions available on request.
- Consult us for NEMA4/4X versions.

Ordering information

Accessories – Handles



OHB150/200J12P



OHB274/330J12

Pistol type handles, for base and DIN-rail mounted switches

Padlockable with three padlocks in OFF-position, door interlock in ON-position. Screw fixing from the back side of the handle. No screws on the front ensures double insulation. The type and the ordering numbers are for one piece.

Colour	Handle length [mm]	Type	Order number	Delivery batch [pcs]	Weight/unit [kg]
Suitable for switches OT1000...2500, for shaft diameter 12 mm, IP65, NEMA 1, 3R, 12					
Indication OHB and OHY: I-0, ON-OFF					
Black	2x150	OHB150J12P	1SCA022865R9430	50	0.17
Red-yellow	2x150	OHY150J12P	1SCA101586R1001	50	0.17
Black	2x200	OHB200J12P	1SCA022865R9510	50	0.40
Red-yellow	2x200	OHY200J12P	1SCA101587R1001	50	0.40
Indication: Test-OFF-ON/Test-0-I					
Black	2x200	OHB200J12PT	1SCA106510R1001	50	0.40
Red-yellow	2x200	OHY200J12PT	1SCA111512R1001	50	0.04
Suitable for switches OT1000...2500, for shaft diameter 12 mm, NEMA 4X					
Indication OHB and OHY: I-0, ON-OFF					
Black	2x200	OHB200L12P	1SCA111564R1001	50	0.40
Red-yellow	2x200	OHY200L12P	1SCA111569R1001	50	0.40
Suitable for switches OT1000...4000, for shaft diameter 12 mm, IP65, NEMA 1, 3R, 12					
Indication OHB and OHY: I-0, ON-OFF					
Black	274	OHB274J12	1SCA115920R1001	25	0.54
Red-yellow	274	OHY274J12	1SCA115919R1001	25	0.54
Black	330	OHB330J12	1SCA115922R1001	25	0.58
Red-yellow	330	OHY330J12	1SCA115921R1001	25	0.58
Indication: Test-OFF-ON/Test-0-I					
Black	274	OHB274J12T	1SCA120250R1001	25	0.54
Black	330	OHB330J12T	1SCA120252R1001	25	0.58

- Door interlocking in ON-position means that the door can not be opened, when the handle is in ON-position. This can be defeated in IP65 types to allow authorized personnel access for inspection.
- NEMA 4, 4x pistol handles available on request.
- Handles padlockable in all positions available on request.

Ordering information

Accessories – Handles



OTV400EK



OTV1000EK



OTV1000EPK



YASDA35

Direct mount handles for base mounted switches

Includes a shaft and a mechanism cover. Indication Test-OFF-ON/Test-O-I.
Padlockable with three padlocks in OFF-position.

Colour	Handle length [mm]	Suitable for switches	Type	Order number	Units/type [pcs]	Weight/unit [kg]
Black	65	OT160EV...250	OTV250EK	1SCA022763R2700	1	0.10
Red-yellow	65	OT160EV...250	OTVY250EK	1SCA022772R7910	1	0.10
Black	95	OT315...400	OTV400EK	1SCA022763R2960	1	0.20
Red-yellow	95	OT315...400	OTVY400EK	1SCA022772R7830	1	0.20
Black	125	OT630...800	OTV800EK	1SCA022804R6340	1	0.30
Red-yellow	125	OT630...800	OTVY800EK	1SCA022810R2780	1	0.30
Black	274	OT1000...4000	OTV1000EK	1SCA106608R1001	1	0.75
Black	2x200	OT1000...2500	OTV1000EPK	1SCA121085R1001	1	0.90

Metallic handles, for base mounted switches

Colour	Handle length [mm]	Suitable for switches	Type	Order number	Units/type [pcs]	Weight/unit [kg]
For shaft diameter 12 mm, IP65, NEMA 1, 3R, 4, 4x, 12						
Indication I-0, padlockable with 3 padlocks in OFF-position, door interlock in ON-position.						
Black	320	OT1000...4000	YASDA35	1SCA104400R1001	1	0.80

- Door interlocking in ON-position means that the door can not be opened, when the handle is in ON-position.
This can be defeated in IP65 types to allow authorized personnel access for inspection.

Ordering information

Accessories – Handles



OHM65L6

Stainless steel handles, for base mounted switches

Stainless steel handles, indication I-O/ON-OFF, padlockable with 3 padlocks in the OFF-position, door interlock in the ON-position, IP66 (NEMA 4X).

Colour	Handle length [mm]	Type	Order number	Units/ type [pcs]	Weight/ unit [kg]
For shaft diameter 6 mm					
Grey	65	OHM65L6	1SCA022739R1070	1	0.73
For shaft diameter 12 mm					
Grey	125	OHM125L12	1SCA022739R1150	1	0.76
Grey	175	OHM175L12	1SCA022739R1230	1	0.83
Grey	275	OHM275L12	1SCA022832R4840	1	0.96
Grey	2x200	OHM200L12P	1SCA104439R1001	1	2.00



OHB65J6E00S

Handles for side operated switch-disconnectors

For mounting on the side of the enclosure. Padlockable with three padlocks in the OFF-position, door interlock in the ON-position, IP65. The position indications are rotated 90°.



OHY65J6E00S

Colour	Handle length [mm]	Type	Order number	Units/ type [pcs]	Weight/ unit [kg]
For shaft diameter 6 mm, IP65, Nema type 1, 3R, 12					
Plastic handles, black and red-yellow: I-O/ON-OFF, grey: I-O.					
Black	65	OHB65J6E00S	1SCA022382R9850	1	0.12
Red-yellow	65	OHY65J6E00S	1SCA022382R9930	1	0.12
Grey	65	OHG65J6E00S	1SCA022383R4510	1	0.12
Plastic handles, black and red-yellow: Test/I-O/ON-OFF, grey: Test/I-O.					
Black	65	OHB65J6TE00S	1SCA109016R1001	1	0.12
Red-yellow	65	OHY65J6TE00S	1SCA022688R0140	1	0.12
Grey	65	OHG65J6TE00S	1SCA109014R1001	1	0.12
For shaft diameter 12 mm, IP65, Nema type 1, 3R, 12					
Plastic handles, indication I-O/ON-OFF					
Black	145	OHB145J12E00S	1SCA022679R9700	1	0.17

- Door interlocking in ON-position means that the door can not be opened, when the handle is in ON-position. This can be defeated in IP65 types to allow authorized personnel access for inspection.

Ordering information

Accessories – Legend plates



OPBS1



OPB2



OPG2



OPS2



OPBS1EN1



OPSS1EN1



OPB2EN1



OPG2EN1



OPS2EN1



OPB3

Legend plates for selector type handles

Colour	Type	Order number	Units/ type [pcs]	Weight/ unit [kg]
Plain plates for OH 1_ and OH 3_ handles.				
Black	OPBS1	1SCA111519R1001	1	0.01
Yellow	OPYS1	1SCA111528R1001	1	0.01
Silver	OPSS1	1SCA111523R1001	1	0.01
Grey	OPGS1	1SCA111563R1001	1	0.01
Plain plates for OH 2_ handles.				
Black	OPB2	1SCA022353R4110	1	0.01
Yellow	OPY2	1SCA022353R4200	1	0.01
Silver	OPS2	1SCA022353R4460	1	0.01
Grey	OPG2	1SCA022353R4380	1	0.01
Printed plates for OH 1_ and OH3_ handles. Text: MAIN SWITCH.				
Black	OPBS1EN1	1SCA111520R1001	1	0.01
Yellow	OPYS1EN1	1SCA111530R1001	1	0.01
Silver	OPSS1EN1	1SCA111525R1001	1	0.01
Grey	OPGS1EN1	1SCA111526R1001	1	0.01
Printed plates for OH 2_ handles. Text: MAIN SWITCH.				
Black	OPB2EN1	1SCA022400R2070	1	0.01
Yellow	OPY2EN1	1SCA022400R2740	1	0.01
Silver	OPS2EN1	1SCA022400R2230	1	0.01
Grey	OPG2EN1	1SCA022400R2310	1	0.01

Legend plates for pistol type handles

Colour	Text	Type	Order number	Units/ type [pcs]	Weight/ unit [kg]
Holder					
Black		OPB3	1SCA022679R3410	1	0.01
Yellow		OPY3	1SCA022695R0450	1	0.01
Lettering plate suitable for holder					
Silver	Blanco	OPX3	1SCA022679R3500	1	0.01
Silver	Pääkytkin	OPX3FI1	1SCA022695R0530	1	0.01
Silver	Main Switch	OPX3EN1	1SCA022695R0610	1	0.01
Silver	Hauptschalter	OPX3DE1	1SCA022695R0700	1	0.01
Silver	Huvudbrytare	OPX3SE1	1SCA022695R0880	1	0.01
Silver	Customer's own text	OPX3/TEXT	1SCA022696R6370	1	0.01

Ordering information

Accessories – Label and handle accessories



OTVS2

Labelling accessories

Suitable for OT63F, OT80F, OT100F and OT125F. Suitable also for installation switches OT63ML, OT125M_ and OT160M_.

Description	Type	Order number	Units/ type [pcs]	Weight/ unit [kg]
Label carrier, snap-on fixing	ST	1SCA022407R8210	10	0.01
Description label, in a sheet 250 labels	ST-E	1SCA022407R8300	1	0.01

Pistol handle mounting kit for OT 100...125 FT_ switches

Pistol handle is not included

Black	OT100...125FT_	OHZX6	1SCA022559R5670	10	0.01
-------	----------------	-------	-----------------	----	------

Handle and spare fuse storage clip for motorized switches OTM_

OTM40...125, the handle can be stored in the handle storage clip OTVS0. The clip can be fixed to a panel frame using the included adhesive tape. OTM160...2500, the handle and two spare fuses can be stored in the OTVS1 and OTVS2. OTVS1 and OTVS2 can be installed onto the left side of the motorized switch-disconnector OTM. Snap-on mounting, no tools required. On OTM1000...2500E_, the size of the handle prevents the installation onto the switch frame. However, the handle clip can be installed separately onto the panel frame and the fuse holder clip onto the switch frame.

Suitable for switches	Type	Order number	Units/ type [pcs]	Weight/ type [kg]
OTM40...125F	OTVS0	1SCA117524R1001	1	0.02
OTM160...250E	OTVS1	1SCA111413R1001	1	0.02
OTM315...800E	OTVS2	1SCA111414R1001	1	0.04

Ordering information

Accessories – Shafts



OXS6X_



OX6X_



EXP6X_

Shafts

The type and ordering numbers are for one piece

Shaft length [mm]	H [mm]	Type	Order number	Delivery batch [pcs]	Weight/unit [kg]
For selector type handles, suitable for OT16...125F					
Shaft diameter 6 mm					
85	See	OXS6X85	1SCA101647R1001	10	0.02
105	dimension	OXS6X105	1SCA108043R1001	10	0.02
120	drawings	OXS6X120	1SCA101654R1001	10	0.03
130		OXS6X130	1SCA101655R1001	10	0.03
160		OXS6X160	1SCA101656R1001	10	0.04
180		OXS6X180	1SCA101659R1001	10	0.04
250		OXS6X250	1SCA101660R1001	10	0.05
330		OXS6X330	1SCA101661R1001	10	0.05
For round padlockable type handles, suitable for OT16...125F					
Shaft diameter 6 mm					
60	See	OX6X60	1SCA111459R1001	10	0.02
85	dimension	OX6X85	1SCA111274R1001	10	0.02
105	drawings	OX6X105	1SCA111930R1001	10	0.02
115		OX6X115	1SCA111931R1001	10	0.03
130		OX6X130	1SCA111460R1001	10	0.03
155		OX6X155	1SCA111275R1001	10	0.04
200		OX6X200	1SCA111932R1001	10	0.04
300		OX6X300	1SCA111933R1001	10	0.05
For pistol type handles, suitable for OT16...125F					
Shaft diameter 6 mm					
150	See	EXP6X150	1SCA022295R5600	10	0.05
170	dimension	EXP6X170	1SCA108224R1001	10	0.05
265	drawings	EXP6X265	1SCA108225R1001	10	0.08
400		EXP6X400	1SCA108226R1001	10	0.12
For pistol type handles, suitable for OT160EV...250¹⁾					
Shaft diameter 6 mm					
130	109...174	EXP6X130	1SCA022057R0570	10	0.04
150	129...194	EXP6X150	1SCA022295R5600	10	0.05
161	140...205	EXP6X161	1SCA022067R1760	10	0.05
210	189...254	EXP6X210	1SCA022295R6080	10	0.06
290	269...334	EXP6X290	1SCA022042R6370	10	0.08

¹⁾ Longer shafts on request

Ordering information

Accessories – Shafts



OXP12_

Shafts

The type and ordering numbers are for one piece

Shaft length [mm]	H [mm]	Type	Order number	Delivery batch [pcs]	Weight/unit [kg]
For pistol type handles, suitable for OT315...400					
Shaft diameter 12 mm					
166	146...226	OXP12X166	1SCA022325R7100	1	0.20
185	165...245	OXP12X185	1SCA022325R6710	1	0.20
250	230...310	OXP12X250	1SCA022325R6980	1	0.28
280	260...340	OXP12X280	1SCA022137R5140	1	0.30
325	305...385	OXP12X325	1SCA022042R5810	1	0.36
395	375...455	OXP12X395	1SCA022042R5990	1	0.43
465	445...525	OXP12X465	1SCA022042R6020	1	0.51
535	515...595	OXP12X535	1SCA022042R6110	1	0.59
For pistol type handles, suitable for OT630...800					
Shaft diameter 12 mm					
250	230...345	OXP12X250	1SCA022325R6980	1	0.28
280	260...375	OXP12X280	1SCA022137R5140	1	0.30
325	305...420	OXP12X325	1SCA022042R5810	1	0.36
395	375...490	OXP12X395	1SCA022042R5990	1	0.43
465	445...560	OXP12X465	1SCA022042R6020	1	0.51
535	515...630	OXP12X535	1SCA022042R6110	1	0.59
For pistol type handles, suitable for OT1000...2500¹⁾					
Shaft diameter 12 mm					
250	221...350	OXP12X250	1SCA022325R6980	1	0.28
280	251...380	OXP12X280	1SCA022137R5140	1	0.30
325	296...425	OXP12X325	1SCA022042R5810	1	0.36
395	366...495	OXP12X395	1SCA022042R5990	1	0.43
465	436...565	OXP12X465	1SCA022042R6020	1	0.51
535	506...635	OXP12X535	1SCA022042R6110	1	0.59
For pistol type handles, suitable for OT3200...4000					
Shaft diameter 12 mm					
280	251...380	OXP12X280	1SCA022137R5140	1	0.30
325	296...425	OXP12X325	1SCA022042R5810	1	0.36
395	366...495	OXP12X395	1SCA022042R5990	1	0.43
465	436...565	OXP12X465	1SCA022042R6020	1	0.51
535	506...635	OXP12X535	1SCA022042R6110	1	0.59

¹⁾ Wide versions OT1000-2500W_: with shafts over 280 mm, shaft tube OXT20X210X must be used, see page 55

Ordering information

Accessories – Shafts



OXP6X_-45



OXP12X_-45

Twisted shafts

Twisted shafts for pistol type handles, the shaft position is rotated 45 degrees. The type and the ordering numbers are for one piece.

Shaft length [mm]	H [mm]	Type	Order number	Delivery batch [pcs]	Weight/unit [kg]
For pistol type handles, suitable for OT16...125F					
Shaft diameter 6 mm					
150	See dimension	OXP6X150-45	1SCA022294R4400	10	0.05
170	drawings	OXP6X170-45	1SCA108227R1001	10	0.05
265		OXP6X265-45	1SCA108228R1001	10	0.08
400		OXP6X400-45	1SCA108229R1001	10	0.12
For pistol type handles, suitable for OT160EV...250					
Shaft diameter 6 mm					
130	109...174	OXP6X130-45	1SCA022355R9110	10	0.04
150	129...194	OXP6X150-45	1SCA022294R4400	10	0.05
210	189...254	OXP6X210-45	1SCA022294R4230	10	0.06
290	269...334	OXP6X290-45	1SCA022304R4290	10	0.08
For pistol type handles, suitable for OT315...400					
Shaft diameter 12 mm					
250	230...310	OXP12X250-45	1SCA022293R9400	1	0.28
280	260...340	OXP12X280-45	1SCA022382R0800	1	0.30
325	305...385	OXP12X325-45	1SCA022304R4450	1	0.36
395	445...525	OXP12X395-45	1SCA022749R0640	1	0.43
465	439...519	OXP12X465-45	1SCA022423R1770	1	0.51
535	515...595	OXP12X535-45	1SCA022723R2940	1	0.59
For pistol type handles, suitable for OT1000...2500					
Shaft diameter 12 mm					
250	226...355	OXP12X250-45	1SCA022293R9400	1	0.28
280	256...385	OXP12X280-45	1SCA022382R0800	1	0.30
325	301...430	OXP12X325-45	1SCA022304R4450	1	0.36
395	371...500	OXP12X395-45	1SCA022749R0640	1	0.43
465	441...570	OXP12X465-45	1SCA022423R1770	1	0.51
535	511...640	OXP12X535-45	1SCA022723R2940	1	0.59
For pistol type handles, suitable for OT3200...4000					
Shaft diameter 12 mm					
280	256...385	OXP12X280-45	1SCA022382R0800	1	0.30
325	301...430	OXP12X325-45	1SCA022304R4450	1	0.36
395	371...500	OXP12X395-45	1SCA022749R0640	1	0.43
465	441...570	OXP12X465-45	1SCA022423R1770	1	0.51
535	511...640	OXP12X535-45	1SCA022723R2940	1	0.59

Ordering information

Accessories – Shaft accessories



OHZX10

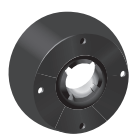
Shaft alignment ring

Improves the handle operation if a handle and a shaft have been poorly aligned.
The type and the ordering numbers are for one piece.

Colour	Type	Order number	Delivery batch [pcs]	Weight/unit [kg]
For pistol type handles OH_65...275J6...12				
Black	OHZX10	1SCA022661R3610	10	0.23
For selector type handles OH_1...3				
Black	OHZX11	1SCA022708R3170	10	0.23
For round padlockable handle OZ371P_				
Black	OZG71	1SCA111686R1001	10	0.05



OHZX11



OHZX14

Extension ring for pistol type handles

Improves the handle operation if a handle and a shaft have been poorly aligned.
The type and the ordering numbers are for one piece.

Colour	Suitable for handle	Type	Order number	Delivery batch [pcs]	Weight/unit [kg]
Black	OHB_	OHZX14	1SCA022851R6590	1	0.06



OETLZX58

Shaft support for long shafts

The type and the ordering numbers are for one piece.

Suitable for switches	Type	Order number	Delivery batch [pcs]	Weight/unit [kg]
Shaft support				
OT16...125	OETLZX58	1SCA022068R8220	1	0.10
Shaft tube				
For switch-disconnectors with wide phase distance (140 mm or 185 mm). Supporting 12 mm shafts longer than 280 mm.				
OT1000...2500	OXT20X210X	1SCA103684R1001	1	1.50



OXT20X210X

Ordering information

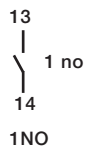
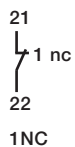
Accessories – Auxiliary contacts



OA1G_



OA2G11



Auxiliary contact blocks, IP20, for OT16...125F/FT_ and OT16...125M_

Contact numbering according to EN 50013. The type and the ordering numbers are for one piece. Snap-on mounting to the side of the switch. $I_{th} = 16A$, cable cross section max. $2 \times 2.5 \text{ mm}^2$. Early-break type OA1G10.

Suitable for switches	Function	Type	Order number	Delivery batch ⁴⁾ [pcs]	Weight/unit [kg]
Mountable on left side, max. 2 pcs					
OT16...125F_, FT_	1NC	OA1G01	1SCA022353R4890	10	0.03
OT16...125F_, FT_	1NC	OA1G01AU ¹⁾	1SCA022436R7830	10	0.03
Mountable on the right side, max. 2 pcs					
OT16...125F_, FT_	1NO	OA1G10	1SCA022353R4970	10	0.03
OT16...125F_, FT_	1NO	OA1G10AU ¹⁾	1SCA022436R7910	10	0.03
Mountable on both sides, simultaneous function with the main contacts					
OT16...40F_: max. 2NO+2NC, OT63...125F: max. 4NO+4NC ³⁾					
OT16...125F_	1NO+1NC	OA2G11 ²⁾	1SCA022379R8100	10	0.03
Mountable on both sides, simultaneous function with the main contacts					
Snap-on mounting to the switch, including a grey cover, IP 20, width 1/2 module. OT16...125M: 3-pole switches max 2NO+2NC, 4-pole switches max 1NO+1NC.					
OT16...40M_	1NO+1NC	OA1L11	1SCA022555R9870	10	0.04
OT63ML_	1NO+1NC	OA2L11	1SCA022424R3190	10	0.04
OT125M_	1NO+1NC	OA3L11	1SCA022555R9950	10	0.04

¹⁾ Types _AU are gold plated for extremely difficult circumstances and low voltages.

²⁾ Not mountable on the same side as the fourth pole.

³⁾ Contact numbering: (83) (43) (53) 13 21 (61) (31) (71)
(84) (44) (54) 14 22 (62) (32) (72)

⁴⁾ Auxiliary contacts OA1G_ are available in larger packing as well. A bulk package includes 50 switches.
Type number: add a suffix: /B, e.g. OA1G01/B.

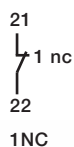
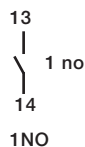
- Early break type auxiliary contacts means that in the switches, the NO aux.contacts break before the main contacts open.
- Performance data of auxiliary contacts, see page 59.
- The contact timing: see the charts on page 105.

Ordering information

Accessories – Auxiliary contacts



OA1G10, OA3G01



OEA28

Auxiliary contact blocks, IP20, for OT160EV...4000

Contact numbering according to EN 50013.

The type and the ordering numbers are for one piece.

Function	Type	Order number	Delivery batch ²⁾ [pcs]	Weight/unit [kg]
Suitable for switches OT160EV...4000				
1NO	OA1G10	1SCA022353R4970	10	0.03
1NO	OA1G10AU ¹⁾	1SCA022436R7910	10	0.03
1NC	OA3G01	1SCA022456R7410	10	0.03
1NC	OA3G01AU ¹⁾	1SCA022819R5260	10	0.03

Mounting under the mechanism cover

The "test" contacts operate in ON- and OFF-positions as well as when the handle is turned to TEST-position = 45 degrees over the OFF-position. The "test indication" contacts operate only when the handle is turned to TEST-position. See the function table below. The OA1G10 (N.O.) or OA3G01 (N.C.) auxiliary contact blocks can be used as standard auxiliary contacts, "test" or "test indication" contacts. The desired functions are achieved when an auxiliary contact block is installed in a specific place shown in the mounting instruction. In order to activate the "test" and "test indication" features a handle with test function is required. See the optional handles, from page 46.

OT160EV...250: Max. 4 test contacts or 2 test contacts + 2 test indication contacts

OT315...800: Max. 4 test contacts + 4 test indication contacts

Switches with _K handle: 2+4 auxiliary contacts with _P handle: 4+4 auxiliary contacts

OT1000...4000: Max 4 test indication contacts + 6 test contacts + 2 early operation test contacts

The test contacts can be used as standard auxiliary contacts as well.

Handle position	Main contacts	Aux./Test contacts N.O.	Test indication contact N.O.
Function table of auxiliary contacts			
Test	open	closed	closed
0	open	open	open
I	closed	closed	open

Mounting on the left side of the switch

Max. 8 auxiliary contact blocks with the OEA28 module.

Module for auxiliary contacts with OT160EV...4000

Screw mounting to the left side of the switch.

Suitable for switches	Type	Order number	Units/type [pcs]	Weight/unit [kg]
OT160EV...4000	OEA28	1SCA022714R8810	1	0.04

¹⁾ Types _AU are gold plated for extremely difficult circumstances and low voltages.

²⁾ Auxiliary contacts OA1G_ are available in larger packing as well. A bulk package includes 50 switches. Type number: add a suffix: /B, e.g. OA1G01/B.

- Early break type auxiliary contacts means that in the switches, the NO aux.contacts break before the main contacts open.
- Performance data of auxiliary contacts, see page 59.
- The contact timing: see the charts on page 105.

Ordering information

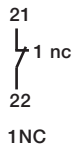
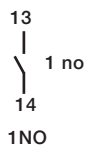
Accessories – Auxiliary contacts



OA1G10, OA8G01, OA3G01



OA2G11



Auxiliary contacts, IP20, for OTM40...2500

Contact numbering according to EN 50013. The type and the ordering numbers are for one piece. Types _AU have gold plated contacts for harsh environments and low operating voltages. Auxiliary contacts are mountable on right side in types OTM40...2500 or under mechanism cover in types OTM160...2500.

Suitable for switches	Function	Protection degree	Type	Order number	Delivery batch [pcs]	Weight/unit [kg]
OTM40...2500	1NO	IP20	OA1G10	1SCA022353R4970	10	0.03
OTM40...125	1NC	IP20	OA8G01	1SCA022744R2240	10	0.03
OTM160...2500	1NC	IP20	OA3G01	1SCA022456R7410	10	0.03
OTM40...2500	1NO	IP20	OA1G10AU	1SCA022436R7910	10	0.03
OTM160...2500	1NC	IP20	OA3G01AU	1SCA022819R5260	10	0.03

Mounting on the right side OTM40...2500

OTM40...125: Maximum 2 auxiliary contact blocks, snap-on mounting

OTM160...2500: Maximum 2+2 auxiliary contact blocks (N.O. or N.C.), snap-on mounting.

Mounting under the mechanism cover, OTM160...2500:

The "test" contacts operate in ON- and OFF-positions as well as when the handle is turned to TEST-position = 45 degrees over the OFF-position. The "test indication" contacts operate only when the handle is turned to TEST-position. See the function table below. The OA1G10 (N.O.) or OA3G01 (N.C.) auxiliary contact blocks can be used as standard auxiliary contacts, "test" or "test indication" contacts. The desired functions are achieved when an auxiliary contact block is installed in a specific place shown in the mounting instruction.

Handle position	Main contacts	Aux./Test contacts N.O.	Test indication contacts N.O.
-----------------	---------------	-------------------------	-------------------------------

Function table of OTM160...2500 auxiliary contacts

Test	open	closed	closed
0	open	open	open
I	closed	closed	open
	OTM 160...250	OTM315...400	OTM630...800
			OTM 1000...2500

Maximum number of contact blocks, "Aux./test" contacts and "test indication" contacts under the mechanism cover of OTM160...2500				
Maximum number of contact blocks	2	4	4	6
Aux./Test contacts	2	-	-	2 ¹⁾
Test indication contacts	-	4	4	4

Auxiliary contacts, IP20, for OTM40...125, 3 pole switches

Contact numbering according to EN 50013. The type and the ordering numbers are for one piece.

Mountable on right side, simultaneous function with the main contacts

OTM40...125F3M_	1NO+1NC	IP20	OA2G11	1SCA022379R8100	10	0.03
-----------------	---------	------	--------	-----------------	----	------

¹⁾ Early operation test contact

- Early break type auxiliary contacts means that in the switches, the NO aux.contacts break before the main contacts open.
- Performance data of auxiliary contacts, see next page.
- The contact timing: see the charts on page 105.

Ordering information

Accessories – Auxiliary contacts

Performance data of auxiliary contacts according to IEC 60947-5-1

For **0A1G_**, **0A2G_**, **0A3G_**, **0A8G_**

AC15		U _e /[V]	DC12		DC13	
U _e /[V]	I _e /[A]		I _e /[A]	P/[W]	I _e /[A]	P/[W]
230	6	24	10	240	2	50
400	4	72	4	290	0.8	60
415	4	125	2	250	0.55	70
690	2	250	0.55	140	0.27	70
		440	0.1	44		

For **0A1G_**, **0A2G_**, **0A3G_**, **0A8G_**

U _e /[V]	690
U _{imp} /[kV]	4
Pollution degree	3
I _{th} /[A]	16
Cable size	1...2 x 0.75...2.5 mm ²
Maximum fuse	16A / gG
NEMA	A600, R300, wire size: 18 - 14 AWG, 1(2)

Ordering information

Accessories – Fourth poles



OTZ400E



OTZ800E



OTZ1250E



OTZ1600E



OTZ1500E

Fourth poles, simultaneous function with the main contacts

Mountable on the side of the switch. The type and the ordering numbers are for one piece.

Suitable for switches	Type	Order number	Delivery batch [pcs]	Weight/unit [kg]
For OT switch-disconnectors				
OT16...40F3	OTPS40FPN1*)	1SCA105001R1001	10	0.03
OT16...40F3	OTPS40FPN2*)	1SCA105000R1001	10	0.06
OT63...80F3	OTPS80FP	1SCA105461R1001	10	0.14
OT30F3, OT60F3, OT100F3, OT125F3	OTPS125FP	1SCA105099R1001	10	0.30
OT63ML3	OTPS63MLP	1SCA022530R6580	10	0.08
OT125M3	OTPS125MP	1SCA022436R9110	10	0.08
OT160M3	OTPS160MP	1SCA022325R7520	1	0.30
OT16...40FT3	OTPS40FDN1*)	1SCA104999R1001	10	0.06
OT16...40FT3	OTPS40FDN2*)	1SCA104998R1001	10	0.14
OT63...80FT3	OTPS80FD	1SCA105458R1001	5	0.30
OT100...125FT3	OTPS125FD	1SCA105096R1001	1	0.30
OT160EV...250	OTZ250E	1SCA022735R9420	10	0.35
OT315...400	OTZ400E	1SCA022749R1960	10	0.59
OT630...800	OTZ800E	1SCA022807R5100	1	1.70
OT1000...1250	OTZ1250E	1SCA103765R1001	1	4.30
OT1600	OTZ1600E	1SCA100431R1001	1	4.54
OT2000...2500	OTZ2500E	1SCA107931R1001	1	4.30
OT3200...4000	OTZ4000E	1SCA128807R1001	1	8.40
For OTM motorized switch-disconnectors				
OTM40	OTPS60FP	1SCA111009R1001	10	0.14
OTM63...125	OTPS125FP	1SCA105099R1001	10	0.30

Fourth poles, late-break and early-make

Mountable on the side of the switch. The type and the ordering numbers are for one piece.

Suitable for switches	Type	Order number	Delivery batch [pcs]	Weight/unit [kg]
For OT switch-disconnectors				
OT16...40F3	OTPL40FP	1SCA105717R1001	10	0.03
OT63...80F3	OTPL80FP	1SCA105452R1001	10	0.06
OT100...125F3	OTPL125FP	1SCA105090R1001	10	0.14
OT16...40FT3	OTPL40FD	1SCA105716R1001	10	0.03
OT63...80FT3	OTPL80FD	1SCA105451R1001	10	0.06
OT100...125FT3	OTPL125FD	1SCA105088R1001	10	0.14
For OTM motorized switch-disconnectors				
OTM40	OTPL60FP	1SCA111004R1001	10	0.14
OTM63...125	OTPL125FP	1SCA105090R1001	10	0.30

*) N1=On the left side of the switch
N2=On the right side of the switch

Ordering information

Accessories – Neutral and earth terminals



OTPD40FP

Fixed neutral

Mountable on the side of the switch. The type and the ordering numbers are for one piece.

Suitable for switches	Type	Order number	Delivery batch [pcs]	Weight/unit [kg]
For OT switch-disconnectors				
OT16...40F3	OTPN40FP	1SCA104997R1001	10	0.03
OT63...80F3	OTPN80FP	1SCA105457R1001	10	0.06
OT30F3, OT60F3, OT100F3, OT125F3	OTPN125FP	1SCA105094R1001	10	0.14
OT16...40FT3	OTPN40FD	1SCA105718R1001	10	0.03
OT63...80FT3	OTPN80FD	1SCA105456R1001	10	0.06
OT100...125FT3	OTPN125FD	1SCA105092R1001	10	0.14
For OTM motorized switch-disconnectors				
OTM40	OTPN60FP	1SCA117606R1001	10	0.14
OTM63...125	OTPN125FP	1SCA105090R1001	10	0.30

Detachable neutral

Mountable on the side of the switch. The type and the ordering numbers are for one piece.

For OT switch-disconnectors				
OT16...40F3	OTPD40FP	1SCA104994R1001	10	0.03
OT63...80F3	OTPD80FP	1SCA105445R1001	10	0.06
OT30F3, OT60F3, OT100F3, OT125F3	OTPD125FP	1SCA105083R1001	10	0.14
OT63...80FT3	OTPD80FD	1SCA105444R1001	1	0.06

Protective earth

Mountable on the side of the switch. The type and the ordering numbers are for one piece.

For OT switch-disconnectors				
OT16...40F3	OTPE40FP	1SCA104995R1001	10	0.03
OT63...80F3	OTPE80FP	1SCA105448R1001	10	0.06
OT30F3, OT60F3, OT100F3, OT125F3	OTPE125FP	1SCA105128R1001	10	0.14
OT16...40FT3	OTPE40FD	1SCA109884R1001	10	0.03
OT63...80FT3	OTPE80FD	1SCA105446R1001	10	0.06
OT100...125FT3	OTPE125FD	1SCA105698R1001	10	0.14
For OTM motorized switch-disconnectors				
OTM40	OTPE60FP	1SCA111016R1001	10	0.14
OTM63...125	OTPE125FP	1SCA105090R1001	10	0.30

Neutral links

Suitable for switches	I_{nA} [A]	Type	Order number	Units/type [pcs]	Weight/unit [kg]
Detachable, mountable separately to the base plate					
OT160EV...250/OTM160...250	250	OXN250	1SCA022752R9950	1	0.26
OT/OTM315...400	400	OXN400	1SCA022770R3060	1	0.70
OT/OTM630...800	800	OXN800T	1SCA022829R0840	1	0.96
OT/OTM1000...2500, OT3200...4000	1250	OXN1250T	1SCA104162R1001	1	2.20

Ordering information

Accessories – Terminal shrouds



OTS40T3



OTS63T3



OTS125T3



OTS125T3P



OTS63T1



OTS40T1



OTS125T1



OTS125T1P

Terminal shrouds for OT/OTM switches, snap-on mounting, transparent

The type and the ordering numbers are for one piece.

Suitable for switches	Type	Order number	Delivery batch [pcs]	Weight/unit [kg]
For 3-pole OT switches				
OT16...40F3, -FT3	OTS40T3	1SCA105317R1001	10	0.01
OT63...80F3, -FT3	OTS63T3	1SCA022353R6750	10	0.01
OT100...125F3, FT3, OT125M3	OTS125T3	1SCA022379R9680	10	0.01
For 3-pole OT switches with terminal clamps OZXL1 or OZXT1				
OT100...125F3	OTS125T3P	1SCA022491R9890	10	0.01
For 1 to 4-pole OT switches, shroud for single pole and for fourth pole				
OTP_40F_	OTS40T1	1SCA105314R1001	10	0.01
OTP_80F_	OTS63T1	1SCA022353R6910	10	0.01
OTP_125F_, OTPS125MP	OTS125T1	1SCA022379R9760	10	0.01
For 1 to 4-pole OT switches with terminal clamps OZXL1 or OZXT1, shroud for single pole and for fourth pole				
OT100...125F_	OTS125T1P	1SCA022491R9970	10	0.01
For OTM motorized switch-disconnectors				
OTM40...125, 3 pole	OTS125T3	1SCA022379R9680	10	0.01
OTM40...125, for fourth pole	OTS125T1	1SCA022379R9760	10	0.01

Ordering information

Accessories – Terminal shrouds



OTS400G1S



OTS800G1S



OTS1600G1L



OTS1600G1S



OTS2500G1L



OTS2500G1S

Terminal shrouds for OT/OTM switches, snap-on mounting, grey

Pack of single pole shrouds, IP3X. Transparent shrouds available on request.

Suitable for switches	Description	Type	Order number	Units/type [pcs]	Weight/unit [kg]
For 3-pole OT/OTM switches					
OT160EV...250/OTM160...250	Long type	OTS250G1L/3	1SCA022731R8150	3	0.09
OT160EV...250/OTM160...250	Short type	OTS250G1S/3	1SCA022731R8310	3	0.06
OT/OTM315...400	Long type	OTS400G1L/3	1SCA022736R8840	3	0.15
OT/OTM315...400	Short type	OTS400G1S/3	1SCA022736R9060	3	0.09
OT/OTM630...800	Long type	OTS800G1L/3	1SCA022776R7890	3	0.32
OT/OTM630...800	Short type	OTS800G1S/3	1SCA022776R8190	3	0.17
OT/OTM1000...1600	Long type	OTS1600G1L/3	1SCA022871R9510	3	0.60
OT/OTM1000...1600	Short type	OTS1600G1S/3	1SCA022871R9600	3	0.40
OT/OTM2000...2500	Long type	OTS2500G1L/3	1SCA107261R1001	3	1.00
OT/OTM2000...2500	Short type	OTS2500G1S/3	1SCA107260R1001	3	0.50
OT3200...4000	Long type	OTS4000G1L/3	1SCA129042R1001	3	1.0
OT3200...4000	Short type	OTS4000G1S/3	1SCA129044R1001	3	1.2
For 4-pole OT/OTM switches					
OT160EV...250/OTM160...250	Long type	OTS250G1L/4	1SCA022731R8230	4	0.12
OT160EV...250/OTM160...250	Short type	OTS250G1S/4	1SCA022731R8400	4	0.08
OT/OTM315...400	Long type	OTS400G1L/4	1SCA022736R9490	4	0.20
OT/OTM315...400	Short type	OTS400G1S/4	1SCA022736R9650	4	0.12
OT/OTM630...800	Long type	OTS800G1L/4	1SCA022776R7970	4	0.42
OT/OTM630...800	Short type	OTS800G1S/4	1SCA022776R8270	4	0.26
OT/OTM1000...1600	Long type	OTS1600G1L/4	1SCA022871R9780	4	0.80
OT/OTM1000...1600	Short type	OTS1600G1S/4	1SCA022871R9860	4	0.5
OT/OTM2000...2500	Long type	OTS2500G1L/4	1SCA107262R1001	4	1.30
OT/OTM2000...2500	Short type	OTS2500G1S/4	1SCA107271R1001	4	0.70
OT3200...4000	Long type	OTS4000G1L/4	1SCA129043R1001	4	1.4
OT3200...4000	Short type	OTS4000G1S/4	1SCA129045R1001	4	1.6

Terminal shrouds for terminal clamps

Snap-on mounting, transparent plastic, IP2X.

Suitable for terminal clamps	Type	Order number	Units/type [pcs]	Weight/unit [kg]
OZXB2, 2L	OZXB2K	1SCA022264R0010	3	0.05
OZXB3, 4	OZXB3K	1SCA022264R0440	3	0.20
OZXB5, 6	OZXB4K	1SCA022199R2850	3	0.24
OZXB7, 7L	OZXB5K	1SCA022283R8040	3	0.13

Ordering information

Accessories – Mounting and locking accessories

Phase separators

Grey plastic plate for maintaining 1" clearance between the phases without terminal shrouds. Snap-on mounting.

Suitable for switches	Type	Order number	Units/type [pcs]	Weight/type [kg]
OT600U, OT630...800E, 3- and 4-pole	OTB800/6	1SCA022821R7760	6	0.35
OT1000...2500, 3- and 4-pole	OTB1600/6	1SCA100768R1001	6	0.50

Phase barriers

The phase barriers designed for ABB Tmax T4-T5 MCCB's can also be used for OT200...800 switch disconnectors. 3-pole switch disconnectors need 4 barriers and 4-pole switch disconnectors need 6 barriers for full protection.

Suitable for switches	Number of poles	Height h [mm]	Cutting width w of the phase barrier [mm]	Type	Order number	Units/type [pcs]	Weight/type [kg]
OT160EV...250	3	100	55	PB100 low	1SDA054970R1	4	
OT160EV...250	3	200	55	PB200 high	1SDA054972R1	4	
OT160EV...250	4	100	55	PB100 low	1SDA054971R1	6	
OT160EV...250	4	200	55	PB200 high	1SDA054973R1	6	
OT315...400	3	100	67	PB100 low	1SDA054970R1	4	
OT315...400	3	200	67	PB200 high	1SDA054972R1	4	
OT315...400	4	100	67	PB100 low	1SDA054971R1	6	
OT315...400	4	200	67	PB200 high	1SDA054973R1	6	
OT600...800	3	100	90	PB100 low	1SDA054970R1	4	
OT600...800	3	200	90	PB200 high	1SDA054972R1	4	
OT600...800	4	100	90	PB100 low	1SDA054971R1	6	
OT600...800	4	200	90	PB200 high	1SDA054973R1	6	

DIN-rail mounting kit

For mounting a switch fuse into 35 mm DIN-rail

Suitable for switches	Type	Order number	Units/type [pcs]	Weight/type [kg]
OT160EV...250E	OSGZD1	1SCA115688R1001	1	0.20

Locking accessories

Suitable for switches	Type	Order number	Units/type [pcs]	Weight/unit [kg]
Padlocking adapter				
For a padlock with max. 3.5 mm bail.				
OT100...125F and OT125M_	SA1	GJF1 101 903 R000	1	0.01
Door interlock bracket for pistol type handles				
Prevents defeating the door interlock.				
For pistol type handles OH_45...275	OHZX4	1SCA022467R2470	1	0.03

Ordering information

Accessories – Terminal clamps



OZXB1L



OZXB2



OZXB2L



OZXB3



OZXB4



OZXB7



OZXB8



OZXB9



OZXB5



OZXB6

Terminal clamp sets for Al- and Cu-cables Insulated versions

Suitable for switches	Cable cross section [mm ²]	Type	Order number	Units/type [pcs]	Weight/unit [kg]
OT63...125, OTM40...125	16...50 Al, 2.5...50 Cu	OZXT1**)	1SCA022469R6310	3	0.05
OT100...125	16...120 Al/Cu	OZXT2	1SCA022620R7200	3	0.21
OT100...125, OTM63...125	2x(16...50) Al/Cu	OZXT3	1SCA022639R0720	3	0.21
Including 0.75...2.5 mm² voltage sensing connection. Voltage sensing wires are not included					
OTM40...125	16...50 Al/2.5...50 Cu	OZXT6	1SCA122537R1001	3	0.06

Terminal clamp sets for Al- and Cu-cables

Suitable for switches	Cable cross section [mm ²]	Suitable shroud	Type	Order number	Units/type [pcs]	Delivery batch [pcs]	Weight/unit [kg]
OT100...125/OTM40...125	10...70		OZXL1	1SCA022439R6770	3	1	0.14
OT100...125/OTM40...125	10...70		OZXL1/1	1SCA022469R6220	1	50	0.05

OZXB type Al/Cu connectors made of stainless steel

OT/OTM160EV...250	10...70	OTS250_L	OZXB1L	1SCA022169R2030	3	1	0.15
OT/OTM160EV...250	10...70	OTS250_L	OZXB1L/1	1SCA022194R0030	1	50	0.05
OT/OTM160EV...250	25...120	OZXB2K	OZXB2	1SCA022119R7610	3	1	0.34
OT/OTM160EV...250	25...120	OZXB2K	OZXB2/1	1SCA022194R0200	1	50	0.12
OT/OTM160EV...250	25...120	OZXB2K	OZXB2L	1SCA022158R7750	3	1	0.43
OT/OTM160EV...250	25...120	OZXB2K	OZXB2L/1	1SCA022194R0460	1	50	0.15
OT/OTM160EV...250	95...185	OTS250_L	OZXB8	1SCA022744R1510	3	1	0.50
OT/OTM160EV...250	95...185	OTS250_L	OZXB8/1	1SCA022744R1600	1	20	0.15
OT/OTM160EV...250	95...240	OTS250_L	OZXB9	1SCA022750R3210	3	1	0.50
OT/OTM160EV...250	95...240	OTS250_L	OZXB9/1	1SCA022750R3300	1	20	0.14
OT/OTM315...400	25...120	OZXB2K	OZXB2L	1SCA022158R7750	3	1	0.43
OT/OTM315...400	25...120	OZXB2K	OZXB2L/1	1SCA022194R0460	1	50	0.15
OT/OTM315...400	95...185	OZXB3K	OZXB3	1SCA022136R8100	3	1	1.28
OT/OTM315...400	95...185	OZXB3K	OZXB3/1	1SCA022194R0620	1	20	0.13
OT/OTM315...400	2x(95...185)	OZXB3K	OZXB4	1SCA022137R4760	3	1	1.71
OT/OTM315...400	2x(95...185)	OZXB3K	OZXB4/1	1SCA022194R0890	1	20	0.60
OT/OTM315...400	120...240	OZXB5K	OZXB7	1SCA022185R0040	3	1	1.00
OT/OTM315...400	120...240	OZXB5K	OZXB7/1	1SCA022194R1430	1	20	0.34
OT/OTM315...400	120...240	OZXB5K	OZXB7L	1SCA022185R7130	3	1	1.20
OT/OTM315...400	120...240	OZXB5K	OZXB7L/1	1SCA022194R1600	1	20	0.39
OT/OTM315...400	95...185	OTS400_L	OZXB8	1SCA022744R1510	3	1	0.50
OT/OTM315...400	95...185	OTS400_L	OZXB8/1	1SCA022744R1600	1	20	0.15
OT/OTM315...400	95...240	OTS400_L	OZXB9	1SCA022750R3210	3	1	0.50
OT/OTM315...400	95...240	OTS400_L	OZXB9/1	1SCA022750R3300	1	20	0.14
OT/OTM630...800	120...300	OZXB4K	OZXB5	1SCA022137R2470	3	1	2.22
OT/OTM630...800	120...300	OZXB4K	OZXB5/1	1SCA022194R1010	1	20	0.80
OT/OTM630...800	2x(120...300)	OZXB4K	OZXB6	1SCA022137R4920	3	1	3.03
OT/OTM630...800	2x(120...300)	OZXB4K	OZXB6/1	1SCA022194R1270	1	20	1.00

**I_n = 63 A

- More information on Al/Cu terminal clamps, see the catalogue OZX1A GB.

- Included bolt sets:

OT 160EV...250, OZXE51, M8x25, 6 pcs/package

OT 315...400, OZXE54, M10x30, 6 pcs/package

OT 630...800, OZXE3, M12x40, 6 pcs/package

Ordering information

Accessories – Terminal clamps



OZXB3



OZXB4



OZXB5



OZXB6



OZXR95

Terminal clamp sets for Al- and Cu-cables

Suitable for switches	Cable cross section [mm ²]	Suitable shroud	Type	Order number	Units/type [pcs]	Delivery batch [pcs]	Weight/unit [kg]
OZXB type Al/Cu connectors made of stainless steel							
OT/OTM1000...1600	95...185	OTS1600_L	OZXB3	1SCA022136R8100	3	1	1.28
OT/OTM1000...1600	95...185	OTS1600_L	OZXB3/1	1SCA022194R0620	1	20	0.13
OT/OTM1000...1600	2x(95...185)	OTS1600_L	OZXB4	1SCA022137R4760	3	1	1.71
OT/OTM1000...1600	2x(95...185)	OTS1600_L	OZXB4/1	1SCA022194R0890	1	20	0.60
OT/OTM1000...1600	120...300	OTS1600_L	OZXB5	1SCA022137R2470	3	1	2.22
OT/OTM1000...1600	120...300	OTS1600_L	OZXB5/1	1SCA022194R1010	1	20	0.80
OT/OTM1000...1600	2x(120...300)	OTS1600_L	OZXB6	1SCA022137R4920	3	1	3.03
OT/OTM1000...1600	2x(120...300)	OTS1600_L	OZXB6/1	1SCA022194R1270	1	20	1.00
OT/OTM1000...1600	120...240	OTS1600_L	OZXB7L	1SCA022185R7130	3	1	1.20
OT/OTM1000...1600	120...240	OTS1600_L	OZXB7L/1	1SCA022194R1600	1	20	0.39
OT/OTM2000...2500	95...185	OTS2500_L	OZXB3	1SCA022136R8100	3	1	1.28
OT/OTM2000...2500	95...185	OTS2500_L	OZXB3/1	1SCA022194R0620	1	20	0.13
OT/OTM2000...2500	2x(95...185)	OTS2500_L	OZXB4	1SCA022137R4760	3	1	1.71
OT/OTM2000...2500	2x(95...185)	OTS2500_L	OZXB4/1	1SCA022194R0890	1	20	0.60
OT/OTM2000...2500	120...300	OTS2500_L	OZXB5	1SCA022137R2470	3	1	2.22
OT/OTM2000...2500	120...300	OTS2500_L	OZXB5/1	1SCA022194R1010	1	20	0.80
OT/OTM2000...2500	2x(120...300)	OTS2500_L	OZXB6	1SCA022137R4920	3	1	3.03
OT/OTM2000...2500	2x(120...300)	OTS2500_L	OZXB6/1	1SCA022194R1270	1	20	1.00
OT/OTM2000...2500	120...240	OTS2500_L	OZXB7L	1SCA022185R7130	3	1	1.20
OT/OTM2000...2500	120...240	OTS2500_L	OZXB7L/1	1SCA022194R1600	1	20	0.39
OT3200...4000	95...185	OTS4000_L	OZXB3	1SCA022136R8100	3	1	1.28
OT3200...4000	95...185	OTS4000_L	OZXB3/1	1SCA022194R0620	1	20	0.13
OT3200...4000	2x(95...185)	OTS4000_L	OZXB4	1SCA022137R4760	3	1	0.43
OT3200...4000	2x(95...185)	OTS4000_L	OZXB4/1	1SCA022194R0890	1	20	0.60
OT3200...4000	120...300	OTS4000_L	OZXB5	1SCA022137R2470	3	1	2.22
OT3200...4000	120...300	OTS4000_L	OZXB5/1	1SCA022194R1010	1	20	0.80
OT3200...4000	2x(120...300)	OTS4000_L	OZXB6	1SCA022137R4920	3	1	3.03
OT3200...4000	2x(120...300)	OTS4000_L	OZXB6/1	1SCA022194R1270	1	20	1.00
OT3200...4000	120...240	OTS4000_L	OZXB7L	1SCA022185R7130	3	1	1.20
OT3200...4000	120...240	OTS4000_L	OZXB7L/1	1SCA022194R1600	1	20	0.39
OZXR type Al/Cu connectors made of stainless steel and copper							
OT160EV...250	25...95	OTS250_L	OZXR95	1SCA115530R1001	3	1	0.21
OT200...250	95...185	OTS250_L	OZXR185	1SCA115531R1001	3	1	0.45
OT315...400	2x(95...185)	-	OZXR2X185	1SCA115534R1001	3	1	0.66
OT315...400	185...300	-	OZXR300	1SCA115533R1001	3	1	0.87
OT630...800	2x(185...300)	-	OZXR2X300	1SCA115535R1001	3	1	1.59
OT315...400	95...240	OTS400_L	OZXR240	1SCA115532R1001	3	1	0.42
OZXP type Al/Cu connectors made of tin plated aluminium profile							
OT160EV...250	6...95	OTS250_L	OZXP95	1SCA115539R1001	3	1	0.03
OT315...400	35...240	-	OZXP240	1SCA115542R1001	3	1	0.27
OT630...800	2x(70...240)	OTS800_L	OZXP2X240	1SCA115544R1001	3	1	1.38

- More information on Al/Cu terminal clamps, see the catalogue OZX1A GB.

- Included bolt sets:

OT1000...1250, OZXE11, M12x50, 6 pcs/package

OT1600, OZXE14, M12x60, 6 pcs/package

OT2000,2500, OZXE14, M12x60, 12 pcs/package

OT3200...4000, OZXE14, M12x60, 24 pcs/package

Ordering information

Accessories – Terminal clamps



OZXR70

Terminal clamp sets for Al- and Cu-cables for UL/CSA switches

Description	Cable cross section [mm ²]	Type	Order number	Units/ type [pcs]	Weight/ unit [kg]
Terminal set Al/Cu	6X(2,5...35)	OZXM2/1	1SCA101164R1001	1	
Connector for power cable		OZXP120	1SCA115540R1001		0.15
Connector for power cable		OZXP150	1SCA115541R1001		0.174
Connector for power cable		OZXP300	1SCA115543R1001		0.402
Connector for power cable		OZXR70	1SCA115529R1001		0.135
Terminal set		OZXT6	1SCA122537R1001		0.08

Ordering information

Accessories – Conversion kits for front operated switch combinations



OWP6D40



OWP6D80



OWP6D125



OTZW8



OWC6D40



OWC6D125



OTZW25 OTZW26 OTZW17



OTZW24

6 and 8-pole switch mechanism

Suitable for switches	Shaft distance [mm]	Type	Order number	Units/ type [pcs]	Weight/ unit [kg]
Parallel attachment for connecting two 3- or 4-pole switches					
The switches work simultaneously. Mounting directly on the top of two switch-disconnectors, snap-on mounting. The switch size is printed on stickers for the different switch sizes. The fourth pole or auxiliary contacts can be mounted on the outer side of the combination.					
OT16...40		OWP6D40	1SCA022865R4800	1	0.03
OT63...80		OWP6D80	1SCA022865R5010	1	0.03
OT100...125		OWP6D125	1SCA022865R5100	1	0.03

Attachment levers for connecting two 3- or 4-pole switches

OT	Shaft distance [mm]	Type	Order number	Units/ type [pcs]	Weight/ unit [kg]
Attachment levers provided with holes, enabling different shaft distances. The combination switches can be mounted either horizontally or vertically. Two 3 or 4-pole switches needed.					
OT16...40	45+(0...12)x15	OTZW8	1SCA022421R7600	1	0.17
OT63...80	60+(0...11)x15	OTZW8	1SCA022421R7600	1	0.17
OT100...125	75+(0...10)x15	OTZW8	1SCA022421R7600	1	0.17

Change-over switch mechanism

Two switches connected with a mechanism operating into I-O-II -positions. Two 3 or 4-pole switches needed.

Change-over kits

OT	Kit	Type	Order number	Units/ type [pcs]	Weight/ unit [kg]
The modular change-over switches can be built by adding a compact snap-on kit on the top of two switch-disconnectors. The kits do not require any additional foot print area, only the height is increased 12 mm.					
OT16...40	OXS6_, OXP6_	OWC6D40	1SCA022865R4550	1	0.03
OT63...80	OXS6_, OXP6_	OWC6D80	1SCA022865R4630	1	0.07
OT100...125	OXS6_, OXP6_	OWC6D125	1SCA104494R1001	1	0.09

Attachment levers

OT	Shaft distance [mm]	Type	Order number	Units/ type [pcs]	Weight/ unit [kg]
OT160EV...250	210+(0...18)x20	OTZW25	1SCA022778R6920	1	2.8

See the table of the handles and shafts included in the conversion kits on next page.

By-pass switch mechanism

A combination of two switches in parallel with a third switch for change-over operation to by-pass, for example, a breaker for maintenance. The by-pass attachment can be used together with another combination attachment. Three 3 or 4-pole switches needed.

Suitable for switches	Shaft distance [mm]	Type	Order number	Units/ type [pcs]	Weight/ unit [kg]
OT16...125	Between 1 and 2: 90+(0...6)x15 Between 1 and 3: 90+(0...10)x15	OTZW17	1SCA022387R1620	1	0.88
OT160EV...250	Between 1 and 2: 210+(0...9)x20 Between 1 and 3: 250+(0...9)x20	OTZW26	1SCA022778R7060	1	3.3

Mechanical interlock mechanism

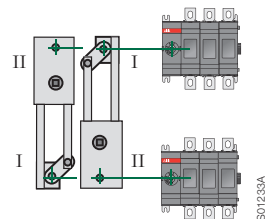
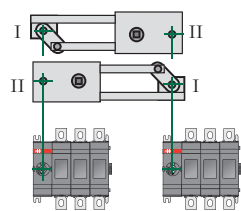
Prevents one switch from moving to ON-position, if the other is not in OFF-position. When mounted upside down, prevents one switch from moving to OFF-position, if the other is not in ON-position. (UPS-usage, make-before-break).

OT	Shaft distance [mm]	Type	Order number	Units/ type [pcs]	Weight/ unit [kg]
OT16...125	100	OTZW24	1SCA022639R5610	1	0.08
OT160...250	190	OTZW10	1SCA022431R5280	1	0.40

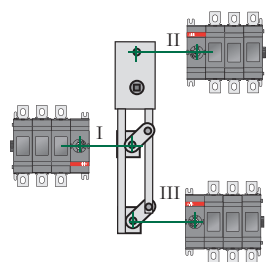
See the table of the handles and shafts included in the conversion kits on next page.

Ordering information

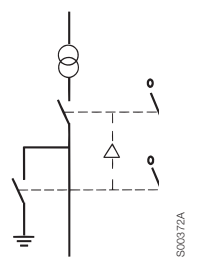
Accessories – Conversion kits for front operated switch combinations



Change-over switches



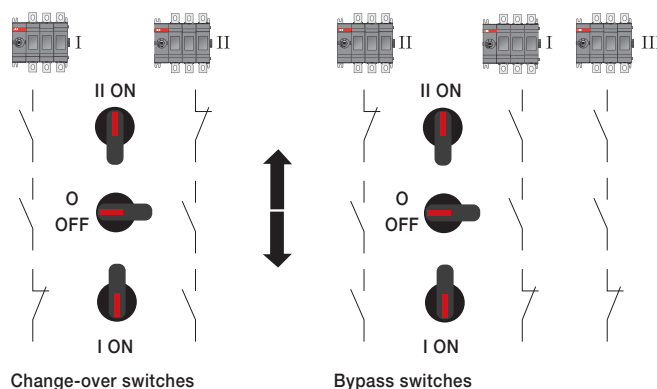
Bypass switches



Mechanical interlock

The shafts and handles for conversion kits

Conversion kit type	To be ordered separately		Included in conversion kit delivery		The standard handle / shaft of one of the combined switches can be used	
	Shaft	Handle	Shaft	Handle	Shaft	Handle
6 and 8-pole switches						
OWP6D40	x (shaft dia 6 mm)	OHBS1A_	-	-	-	-
OWP6D80	x (shaft dia 6 mm)	OHBS1A_	-	-	-	-
OWP6D125	x (shaft dia 6 mm)	OHBS1A_	-	-	-	-
OWP6D40	x (shaft dia 6 mm)	OHB45J6	-	-	-	-
OWP6D80	x (shaft dia 6 mm)	OHB45J6	-	-	-	-
OWP6D125	x (shaft dia 6 mm)	OHB45J6	-	-	-	-
OTZW8	x	x	-	-	-	-
Change-over switches						
OWC6D40	x (shaft dia 6 mm)	OHBS2AJE011	-	-	-	-
OWC6D80	x (shaft dia 6 mm)	OHBS2AJE011	-	-	-	-
OWC6D125	x (shaft dia 6 mm)	OHBS2AJE011	-	-	-	-
OWC6D40	x (shaft dia 6 mm)	OHB45J6E311	-	-	-	-
OWC6D80	x (shaft dia 6 mm)	OHB45J6E311	-	-	-	-
OWC6D125	x (shaft dia 6 mm)	OHB45J6E311	-	-	-	-
OTZW25	-	-	x (2 pcs)	OHB95J12E011	-	-
By-pass switches						
OTZW17	-	-	x (3 pcs)	OHB80J6E011	-	-
OTZW26	-	-	x (3 pcs)	OHB95J12E011	-	-
Mechanical interlock						
OTZW24	-	-	-	-	X	X
OTZW10	-	-	-	-	X	X



Ordering information

Accessories – Mechanical and electrical interlocks



OTZT1A

Mechanism interlock kits and electrical interlocks

OT160EV... 4000 switch-disconnectors can be interlocked in the OFF-position using padlocks or a mechanical interlock kit mounted on the mechanism. The diameter of the lock ball can be max 8 mm.

Suitable for switches	Type	Order number	Units/type [pcs]	Weight/unit [kg]
Interlocking in the OFF-position				
OT160EV...250	OTZT1A	1SCA106522R1001	1	0.21
OT315...400	OTZT2A	1SCA106523R1001	1	0.57
OT600U, OT630...800E	OTZT3A	1SCA106525R1001	1	0.75
OT800U, OT1000...4000	OTZT4A	1SCA106526R1001	1	1.15
Interlocking in the OFF- and ON-positions				
OT160EV...250	OTZT1L	1SCA106527R1001	1	0.21
OT315...400	OTZT2L	1SCA106529R1001	1	0.57
OT600U, OT630...800E	OTZT3L	1SCA106530R1001	1	0.75
OT800U, OT1000...4000	OTZT4L	1SCA106531R1001	1	1.15



OTZT2A



OTZT3A

Mechanical interlock between OT earthing switch and OT1000...2500 switch-disconnector or E-max / T7 breaker

The operation of both the earthing switch and the switch-disconnector / breaker into ON-position at the same time is mechanically prevented by using two cables between the earthing switch and main switch or breaker. Cable length 1370 mm.

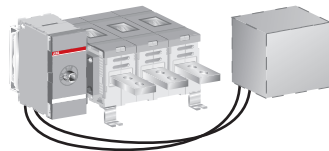
Suitable for switches	Description	Type	Order number	Units/type [pcs]	Weight/unit [kg]
Mechanical interlock kit					
OT1000...2500		OTZL4	1SCA116554R1001	1	0.5
Cable set					
OT1000...2500, E-max/T7	Including 2 pcs 1370 mm long cables	-	1SDA062127R1	1	0.2



OTZL4

Electrical interlock kit

Suitable for switches	Description	Type	Order number	Units/type [pcs]	Weight/unit [kg]
OT1000...2500E	Locking in OFF-position	OTZM4A	1SCA118510R1001	1	0.85
OT1000...2500E	Locking in OFF- and ⏏ -position	OTZM4L	1SCA118511R1001	1	0.85



OT_EM_
+ OTZL4
OT switch +
OTZL4 or
Emax, T7

S07059

Ordering information

Accessories – Electrical interlocks

Coils for OTZT_ and OTZM_ electrical interlocks

By installing a coil inside the housing of the interlock kit the switch can be interlocked electrically in the OFF-position or both in the OFF- and ON-positions. The electrical interlock works using the “closed circuit principle”, meaning that when the control voltage is not connected to the coil. The switches provided with A-type interlocks cannot be turned to the ON-position and switches with L-type interlocks cannot be turned to the ON- or OFF-positions.

Suitable for switches	Type	Order number	Units/ type [pcs]	Weight/ unit [kg]
AC coils				
24 VAC, 60Hz	PDAL2/24AC60Hz	1SCA111350R1001	1	0.15
110 VAC, 50Hz	PDAL2/110AC50Hz	1SCA106543R1001	1	0.15
110 VAC, 60Hz	PDAL2/110AC60Hz	1SCA107100R1001	1	0.15
120 VAC, 60 Hz	PDAL2/120AC60Hz	1SCA111353R1001	1	0.15
208 VAC, 60Hz	PDAL2/208AC60Hz	1SCA107101R1001	1	0.15
230 VAC, 50Hz	PDAL2/230AC50Hz	1SCA107102R1001	1	0.15
240 VAC, 60Hz	PDAL2/240AC60Hz	1SCA111356R1001	1	0.15
DC coils				
24 VDC	PDAL2/24DC	1SCA106542R1001	1	0.15
48 VDC	PDAL2/48DC	1SCA107103R1001	1	0.15
60 VDC	PDAL2/60DC	1SCA107104R1001	1	0.15
110 VDC	PDAL2/110DC	1SCA107105R1001	1	0.15
125 VDC	PDAL2/125DC	1SCA111338R1001	1	0.15
220 VDC	PDAL2/220DC	1SCA112503R1001	1	0.15
Technical data for the coil				
Operating voltage	U = 0.7...1.1 x U _n			
Operating ambient temperature	- 40°C...+65°C			
Power consumption	with AC 6.5 W with DC 9 VA			

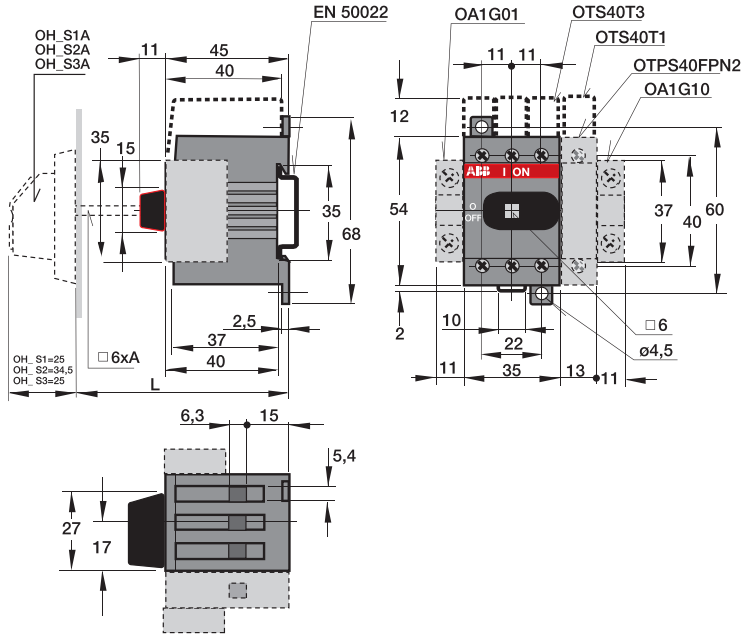
Dimension drawings

Front operated switch-disconnectors, IEC, UL/CSA

OT16...40F3, _F4

Shaft	Handle	Handle
OXS	OH_S2	OH_S1
A/mm	L min/max	L min/max
85	107/126	93/110
105	127/146	113/130
120	142/161	128/145
130	152/171	138/155
160	182/201	168/185
180	202/221	188/205
250	272/291	258/275
330	352/371	338/355

Shaft	Handle
OX	OZ331_P
A/mm	L min/max
60	92/120
85	117/145
105	137/165
115	147/175
130	162/190
155	187/215
200	232/260
300	332/360

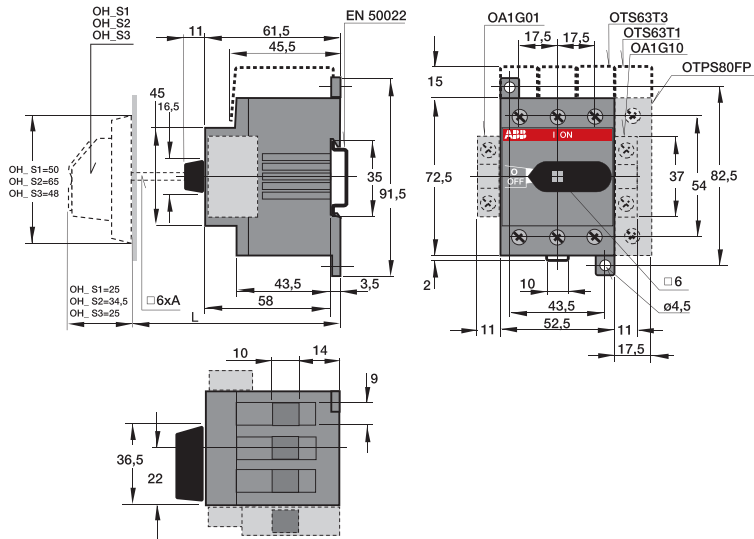


M00157/OT16-40F3_F4 C

OT63...80F3, _F4

Shaft	Handle	Handle
OXS	OH_S2	OH_S1
A/mm	L min/max	L min/max
85	123,5/142,5	109,5/126,5
105	143,5/162,5	129,5/146,5
120	158,5/177,5	144,5/161,5
130	168,5/187,5	154,5/171,5
160	198,5/217,5	184,5/201,5
180	218,5/237,5	204,5/221,5
250	288,5/307,5	274,5/291,5
330	368,5/387,5	354,5/371,5

Shaft	Handle
OX	OZ331_P
A/mm	L min/max
60	108,5/136,5
85	133,5/161,5
105	153,5/181,5
115	163,5/191,5
130	178,5/206,5
155	203,5/231,5
200	248,5/276,5
300	348,5/376,5



M00161/OT63-80F3_F4 C

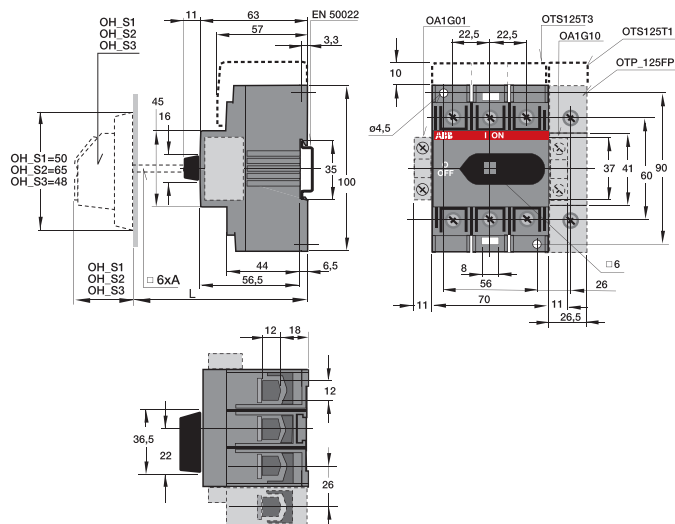
Dimension drawings

Front operated switch-disconnectors, IEC, UL/CSA

OT30, 60, 100, 125F3, _F4

Shaft	Handle	Handle
OXS	OH_S2	OH_S1
A/mm	L min/max	L min/max
85	127/139	113/123
105	147/159	133/143
120	162/174	148/158
130	172/184	158/168
160	202/214	188/198
180	222/234	208/218
250	292/304	278/288
330	372/384	358/368

Shaft	Handle
OX	OZ331_P
A/mm	L min/max
60	112/133
85	137/158
105	157/178
115	167/188
130	182/203
155	207/228
200	252/273
300	352/373

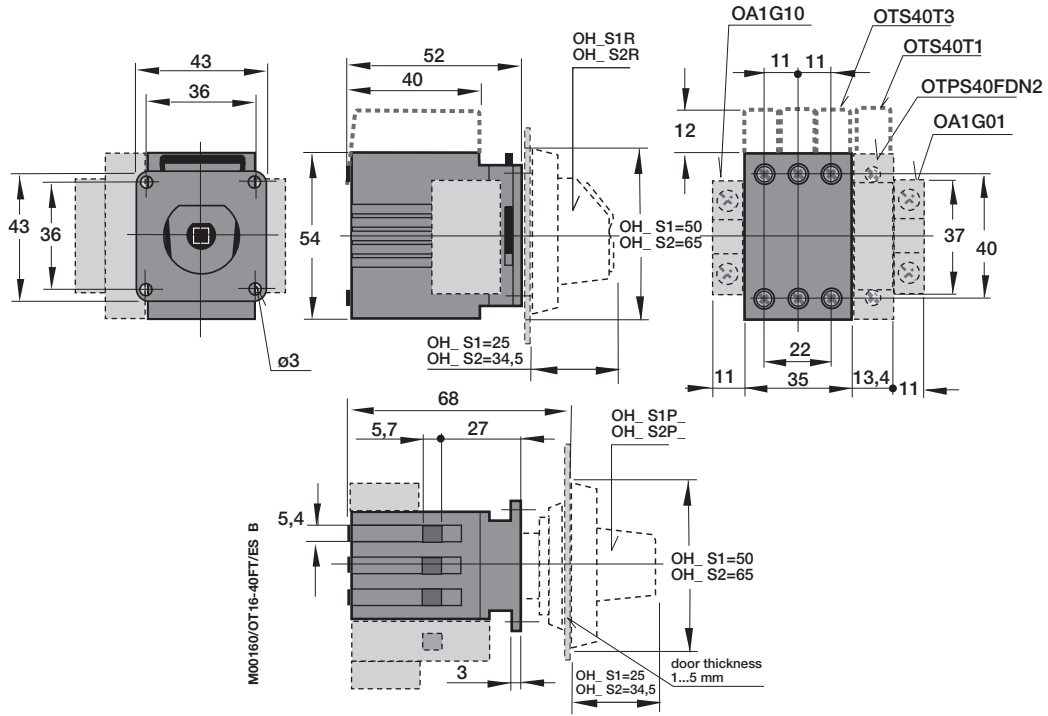


M00166/OT100-125F3_4 D

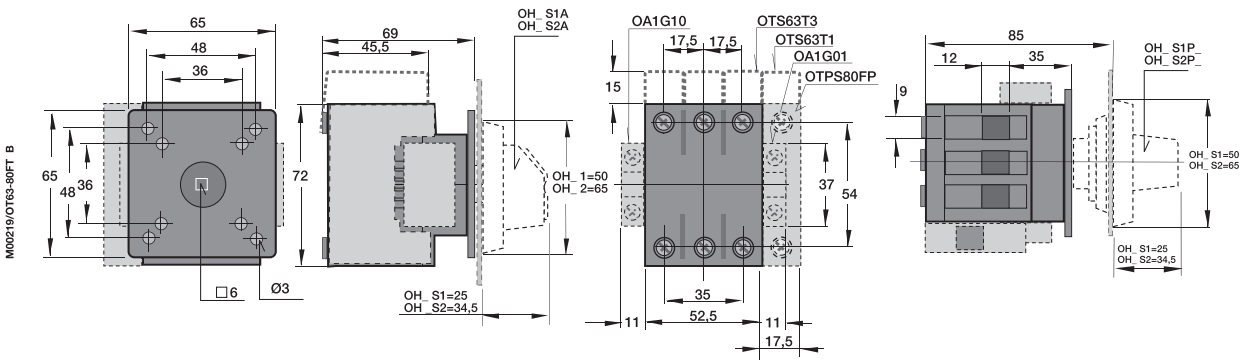
Dimension drawings

Front operated switch-disconnectors, IEC, UL/CSA

OT16...40FT3, _FT4, door mounting



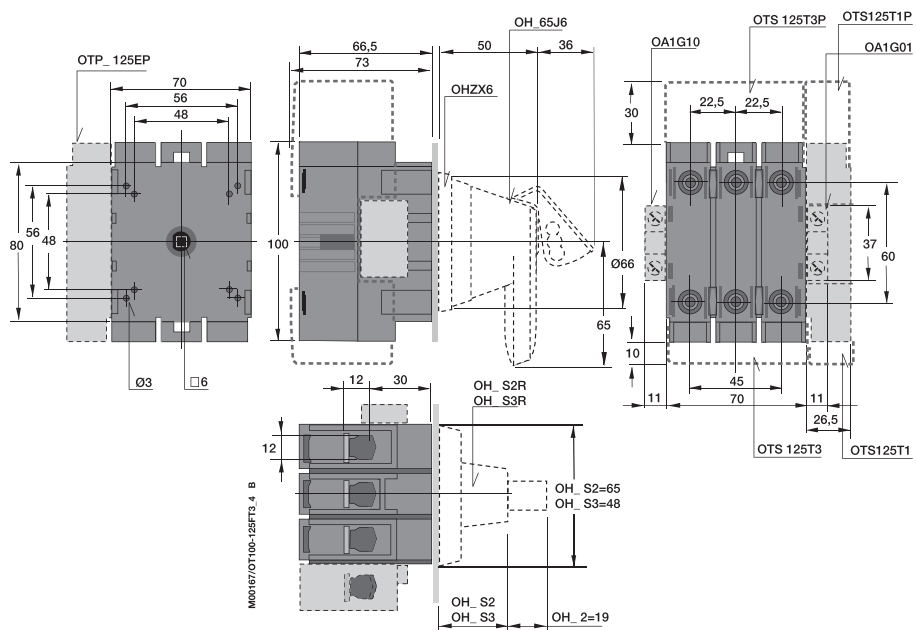
OT63...80FT3, _FT4, door mounting



Dimension drawings

Front operated switch-disconnectors, IEC, UL/CSA

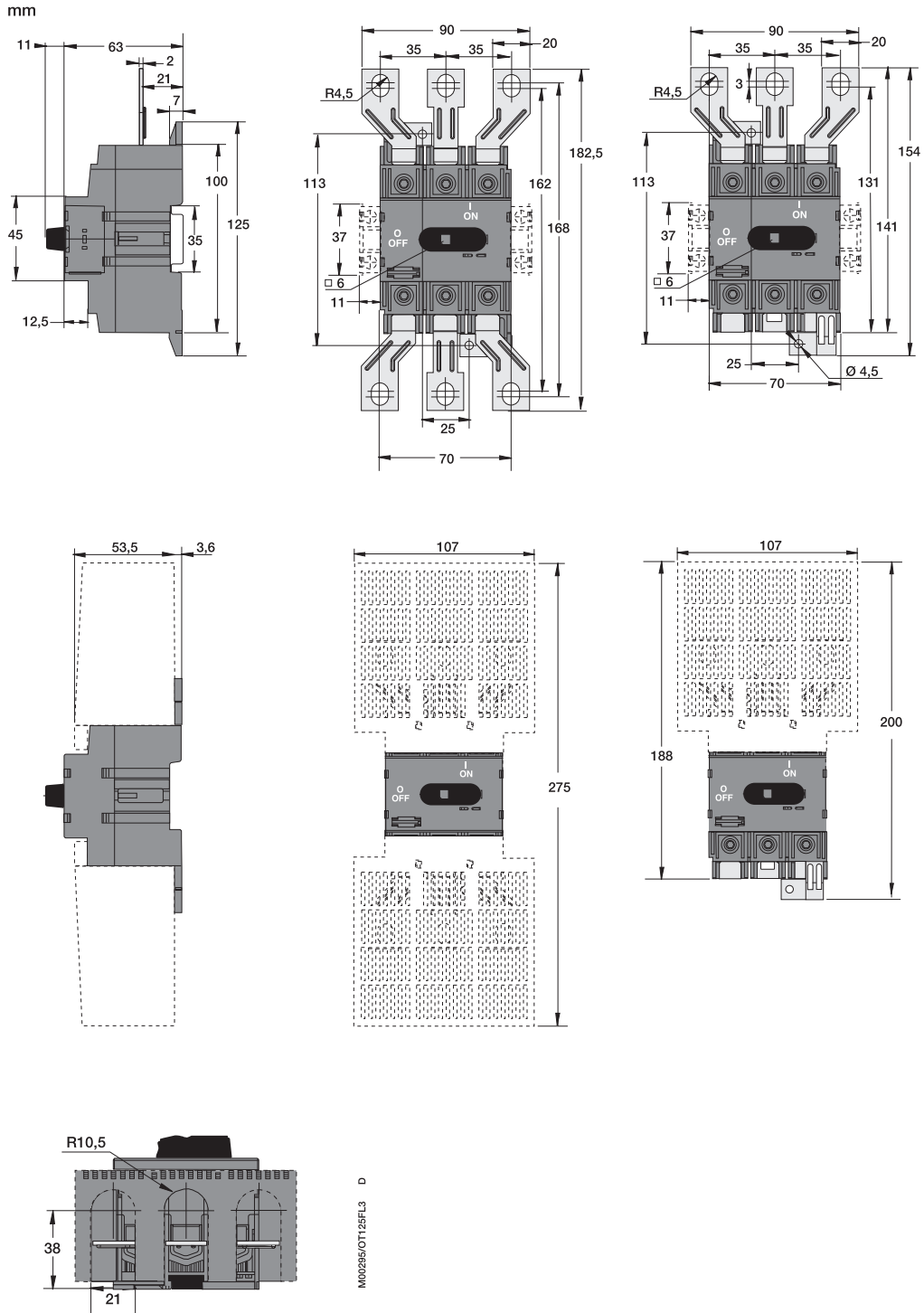
OT100...125FT3, _FT4, door mounting



Dimension drawings

Front operated switch-disconnectors, IEC

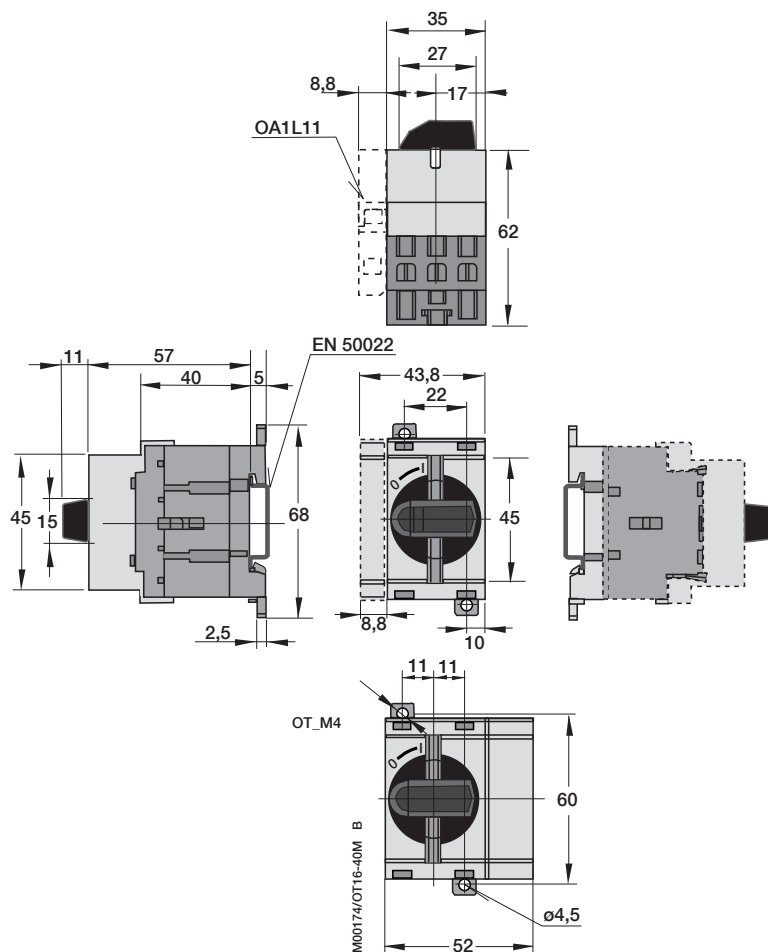
OT125FL3 and OT125FLA3



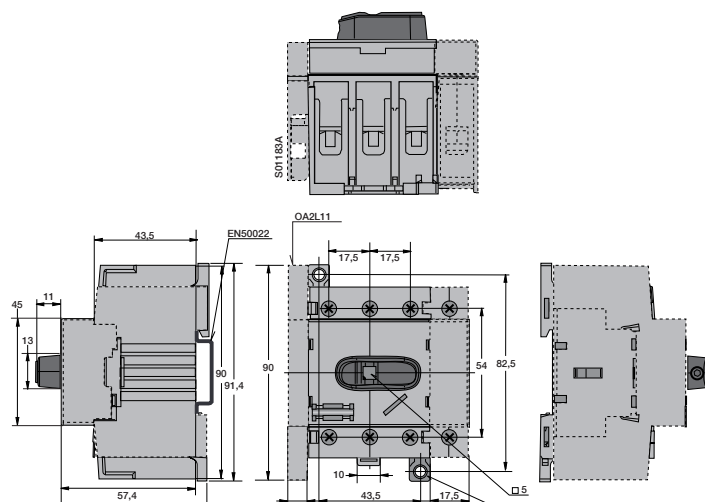
Dimension drawings

Front operated switch-disconnectors, IEC

OT16...40M



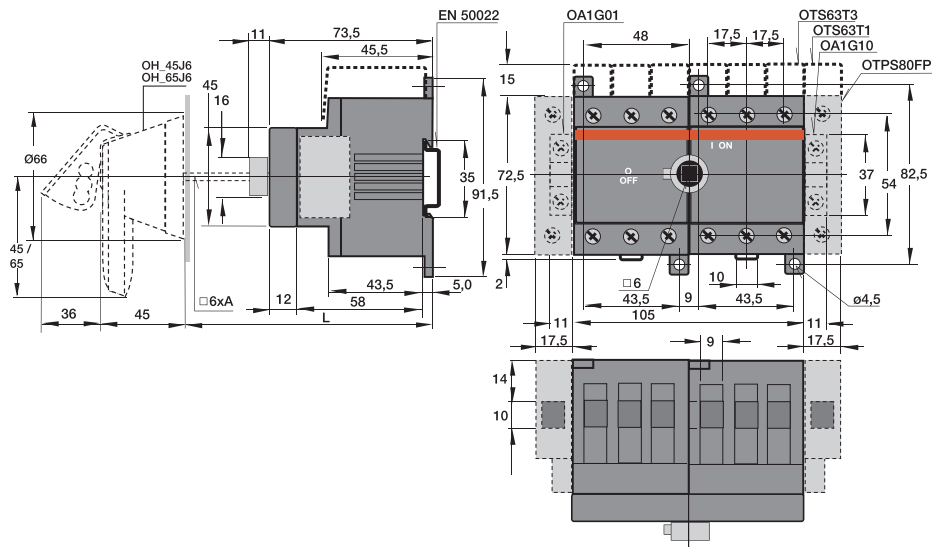
OT63ML



Dimension drawings

Front operated switch-disconnectors, IEC, UL/CSA

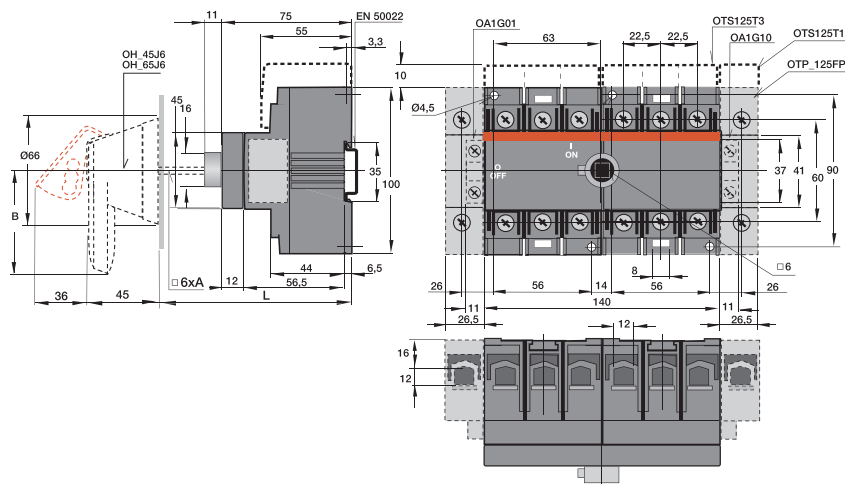
OT63...80F6, _F8



OH_45J6, OH_65J6

A	L
130	166...176
150	186...196
210	246...256
290	326...336
360	396...406
430	466...476

OT100...125F6, _F8



OH_45J6, OH_65J6

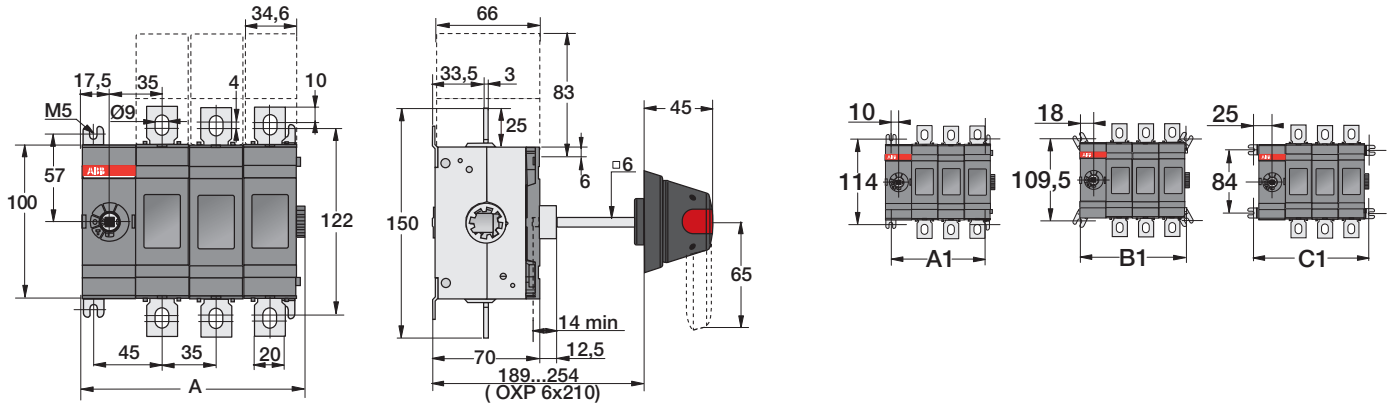
A	L
130	165...175
150	185...195
210	245...255
290	325...335
360	395...405
430	465...475

Dimension drawings

Front operated switch-disconnectors, IEC

OT160EV_P, OT200_P and OT250_P

Mechanism at the end of the switch

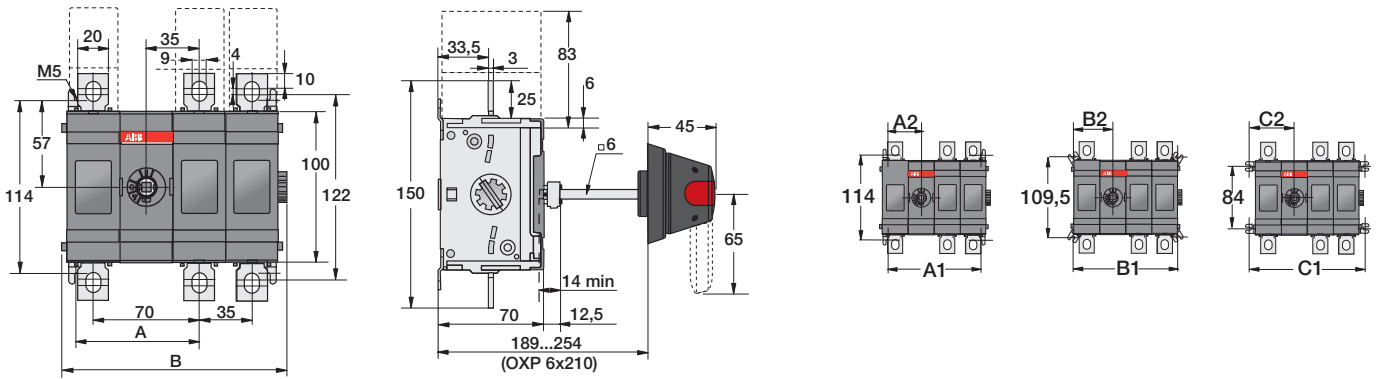


M00011/S01843 OT200_250E01_04 F

OT160EV_/200E_/250E_				
[mm]	E01	E02	E03	E04
A	75,5	110,5	145,5	180,5
A1	55	90	125	160
B1	71	106	141	176
C1	85	120	155	190

OT160EV_P, OT200_P and OT250_P

Mechanism between the poles



M00017/OT200_250E11_22 F

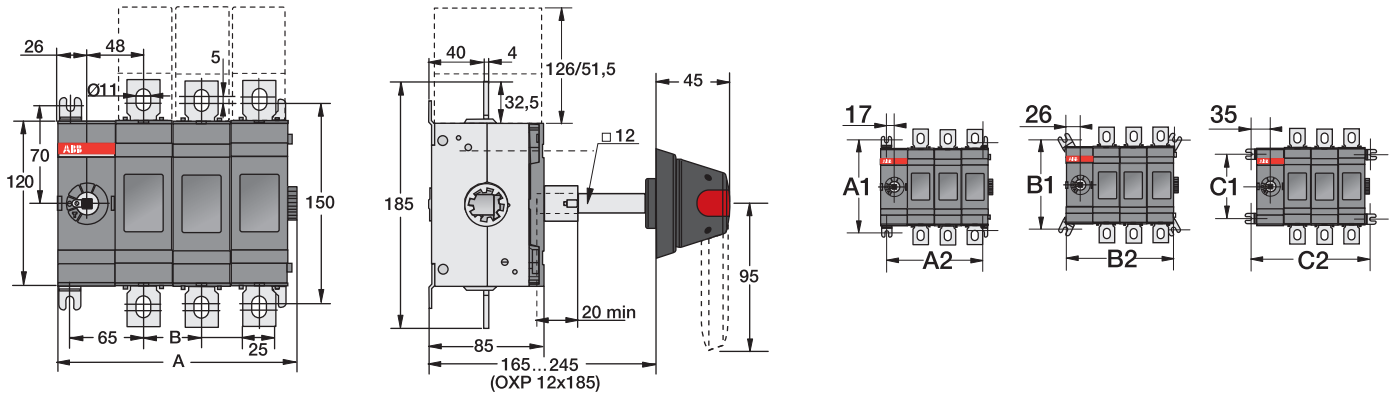
OT160EV_/200E_/250E_				
[mm]	E11	E12	E13	E22
A	80	80	80	115
B	115,5	150,5	185,5	185,5
A1	90	125	160	160
A2	45	45	45	80
B1	106	141	141	176
B2	53	53	53	88
C1	120	155	190	190
C2	60	60	60	95

Dimension drawings

Front operated switch-disconnectors, IEC

OT315_P and OT400_P

Mechanism at the end of the switch



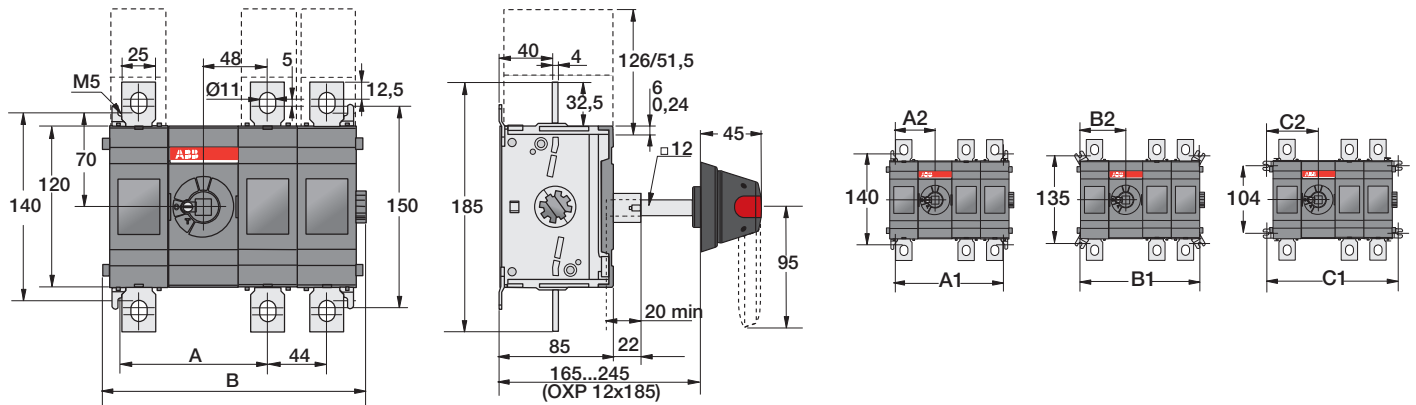
OT315...OT400

[mm]	E01	E02	E03	E04
A	103	147	191	235
B	-	44	44	44
A1	140	140	140	140
A2	78	122	166	210
B1	135	135	135	135
B2	96	140	184	228
C1	104	104	104	104
C2	114	158	202	246

M00012_ES/OT315_400E01_04_E

OT315_P and OT400_P

Mechanism between the poles



OT315/400

[mm]	E11	E12	E13	E22
A	109	109	109	153
B	152	196	240	240
A1	122	166	210	210
A2	61	61	61	105
B1	140	184	228	228
B2	70	70	70	114
C1	158	202	246	246
C2	79	79	79	123

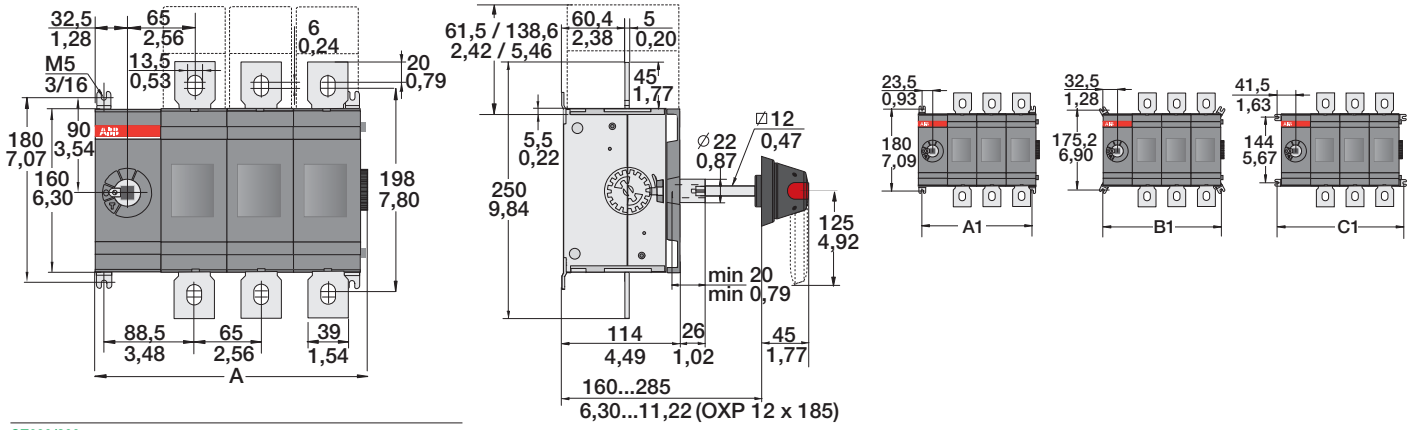
M00018/OT315_400E11_22_E

Dimension drawings

Front operated switch-disconnectors, IEC

OT630_P and OT800_P

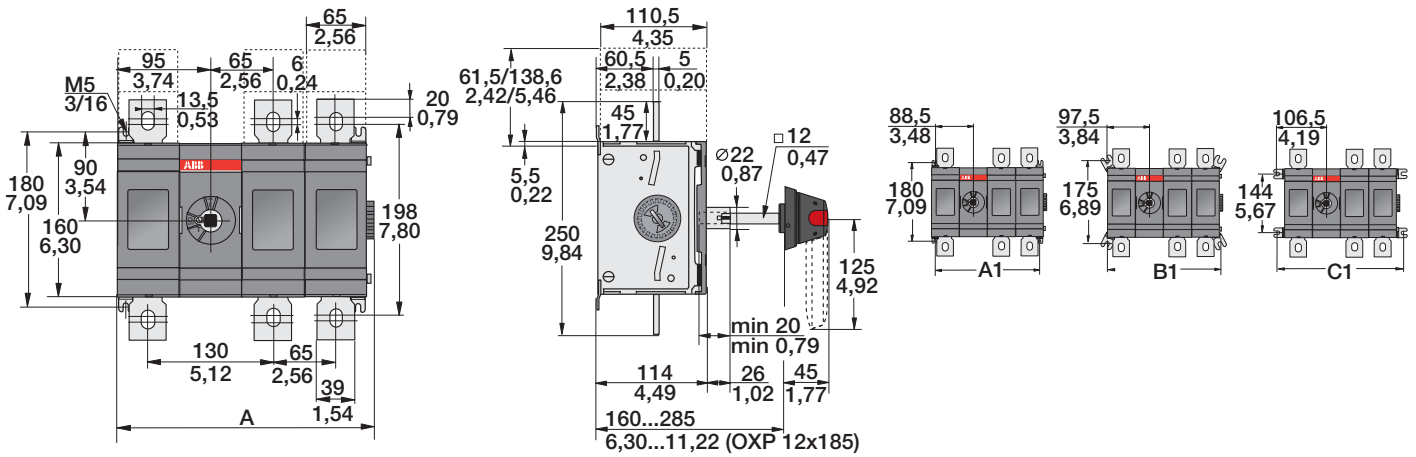
Mechanism at the end of the switch



OT630/800				
[mm/in]	E01	E02	E03	E04
A	136/5,35	201/7,91	266/10,47	331/13,03
A1	112/4,41	177/6,97	242/9,53	307/12,09
B1	130/5,12	195/7,68	260/10,24	325/12,80
C1	148/5,83	213/8,39	278/10,95	343/13,50

OT630_P and OT800_P

Mechanism between the poles

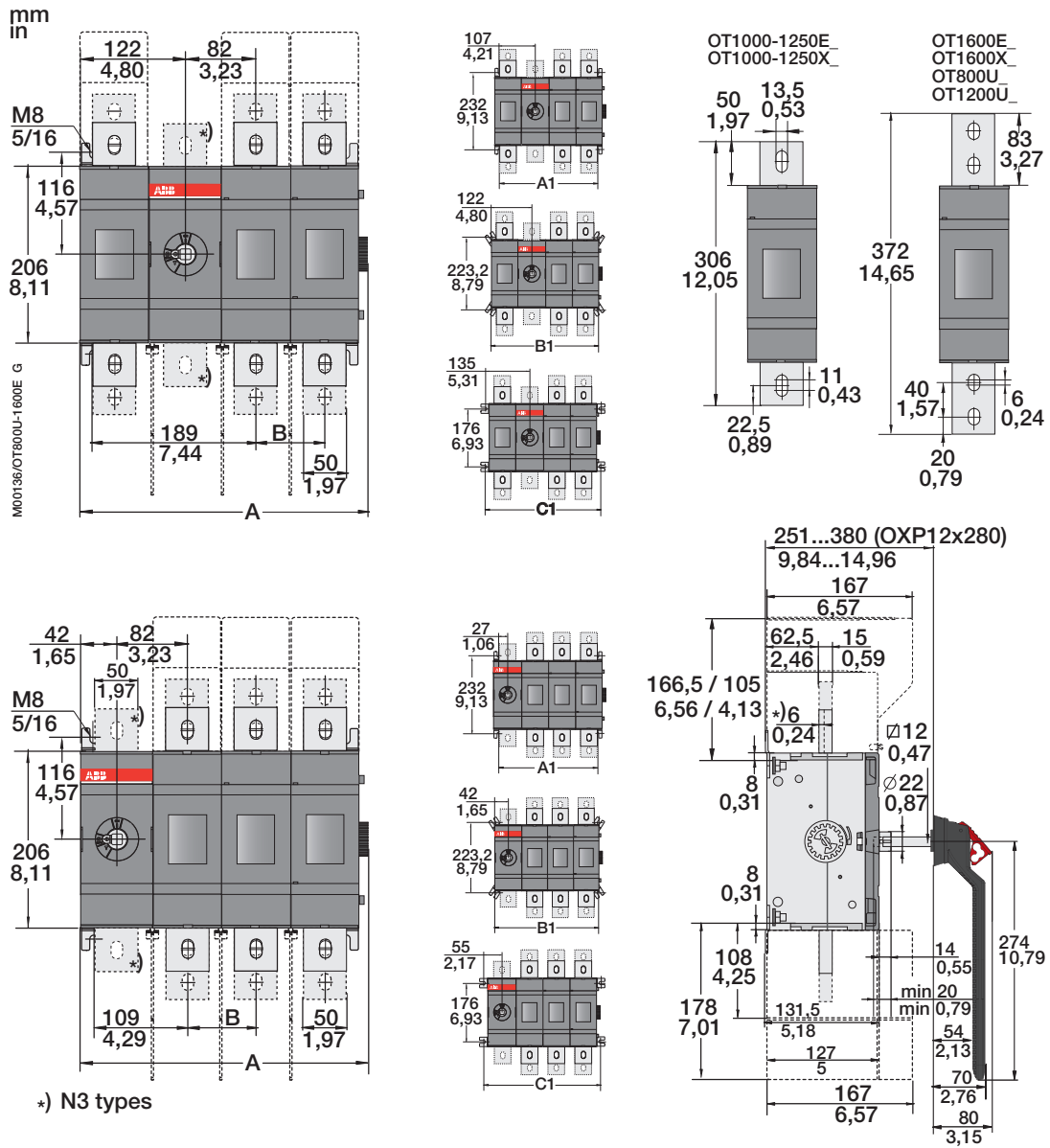


OT630/800				
[mm/in]	E11	E12	E13	E22
A	201/7,91	266/10,47	331/13,03	331/13,03
A1	177/6,97	242/9,53	307/12,09	307/12,09
B1	195/7,68	260/10,24	325/12,80	325/12,80
C1	213/8,39	278/10,95	343/13,50	343/13,50

Dimension drawings

Front operated switch-disconnectors, IEC, UL/CSA

OT1000_P, OT1250_P, OT1600_P and OT800U_P, OT1200U_P



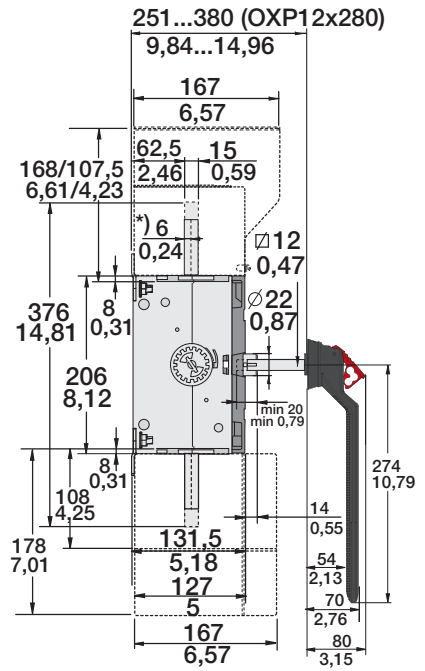
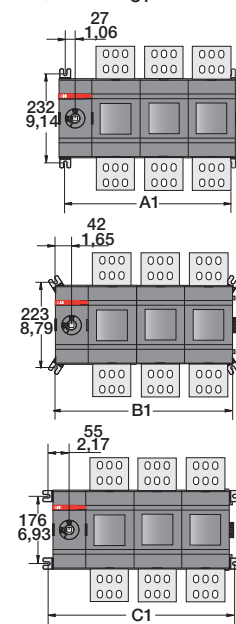
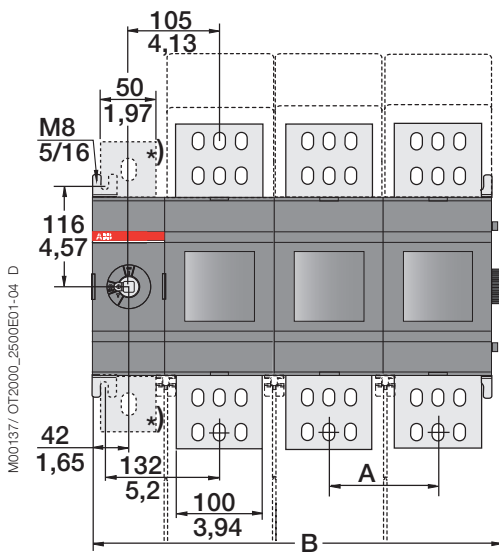
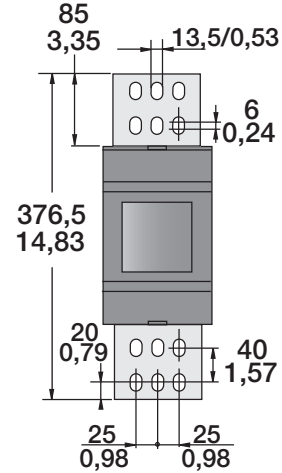
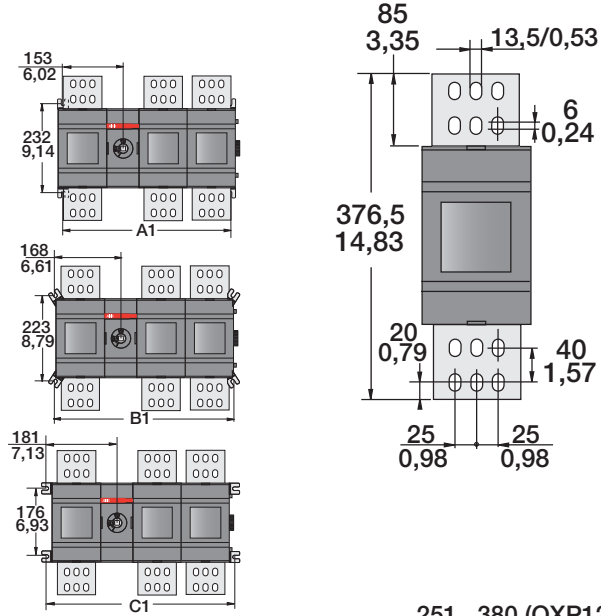
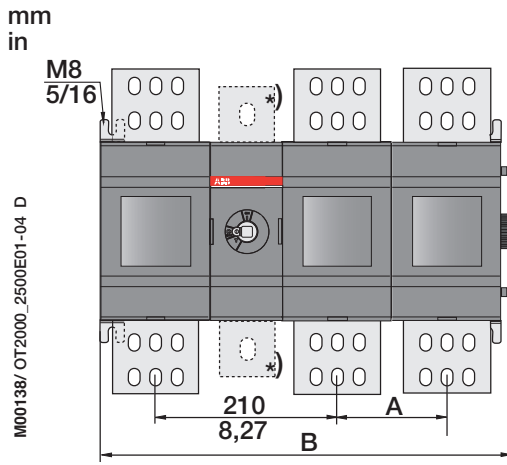
M00135/OT800U-1600E G

OT1000/1250/1600E_, OT800/1200U_												
[mm/in]	01	02	03	04	11	12	13	22	03W4	04W4	03W8	04W8
A	174,50/6,87	254,50/10,02	334,50/13,17	414,50/16,32	254,50/10,02	334,50/13,17	414,50/16,32	414,50/16,32	454,50/17,89	594,50/23,41	544,50/21,44	729,50/28,72
B		80/3,15	80/3,15	80/3,15		80/3,15	80/3,15	80/3,15	140/5,51	140/5,51	185/7,28	185/7,28
A1	134/5,28	214/8,43	294/11,57	374/14,72	214/8,43	294/11,57	374/14,72	374/14,72	414/16,30	554/21,81	504/19,84	689/27,13
B1	164/6,46	244/9,61	324/12,76	404/15,91	244/9,61	324/12,76	404/15,91	404/15,91	444/17,48	584/22,99	534/21,02	719/28,31
C1	190/7,48	270/10,63	350/13,78	430/16,93	270/10,63	350/13,78	430/16,93	430/16,93	470/18,50	610/24,02	560/22,05	745/29,33

Dimension drawings

Front operated switch-disconnectors, IEC

OT2000_P and OT2500_P



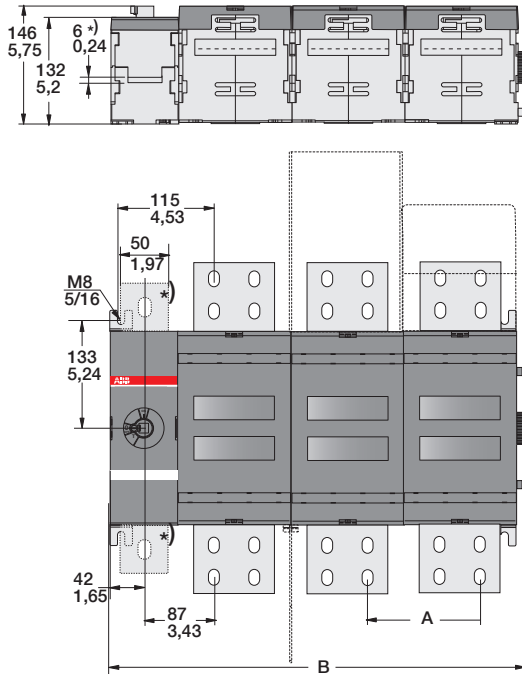
*) N3 types

OT2000/2500E	01	02	03	04	11	12	13	22	03W4	04W4	03W8	04W8
A		126/4,96	126/4,96	126/4,96		126/4,96	126/4,96	126/4,96	140/5,51	140/5,51	185/7,28	185/7,28
B	220,5/8,68	346,5/13,64	472,5/18,60	598,5/23,56	346,5/13,64	472,5/18,60	598,5/23,56	598,5/23,56	500,5/19,70	640,5/25,22	590,5/23,25	775,5/30,53
A1	180/7,09	306/12,05	432/17,01	558/21,97	306/12,05	432/17,01	558/21,97	558/21,97	460/18,11	600/23,62	550/21,65	735/28,94
B1	210/8,27	336/13,23	462/18,19	588/23,15	336/13,23	462/18,19	588/23,15	588/23,15	490/19,29	630/24,80	580/22,83	765/30,12
C1	236/9,29	362/14,25	488/19,21	614/24,17	362/14,25	488/19,21	614/24,17	614/24,17	516/20,31	656/25,83	606/23,86	791/31,14

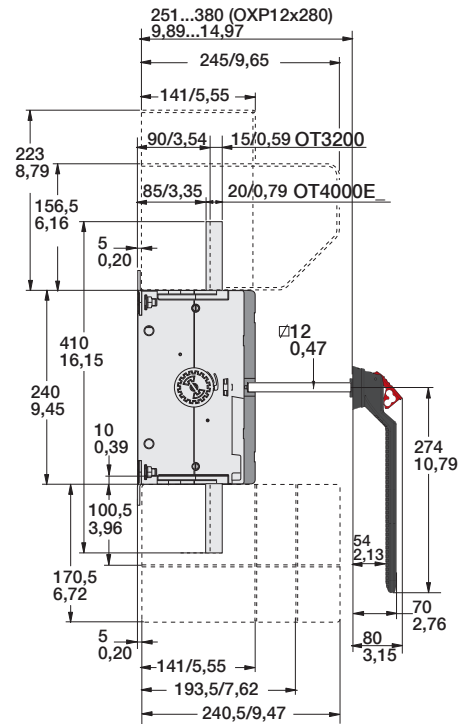
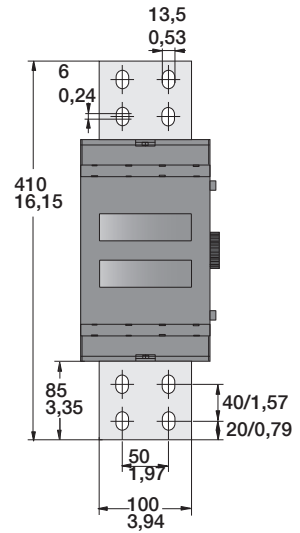
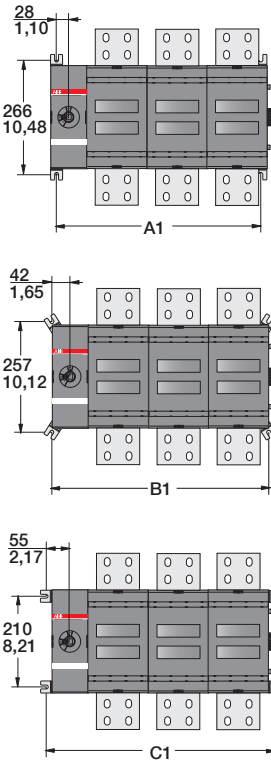
Dimension drawings

Front operated switch-disconnectors, IEC

OT3200...4000E_



*) N3 types



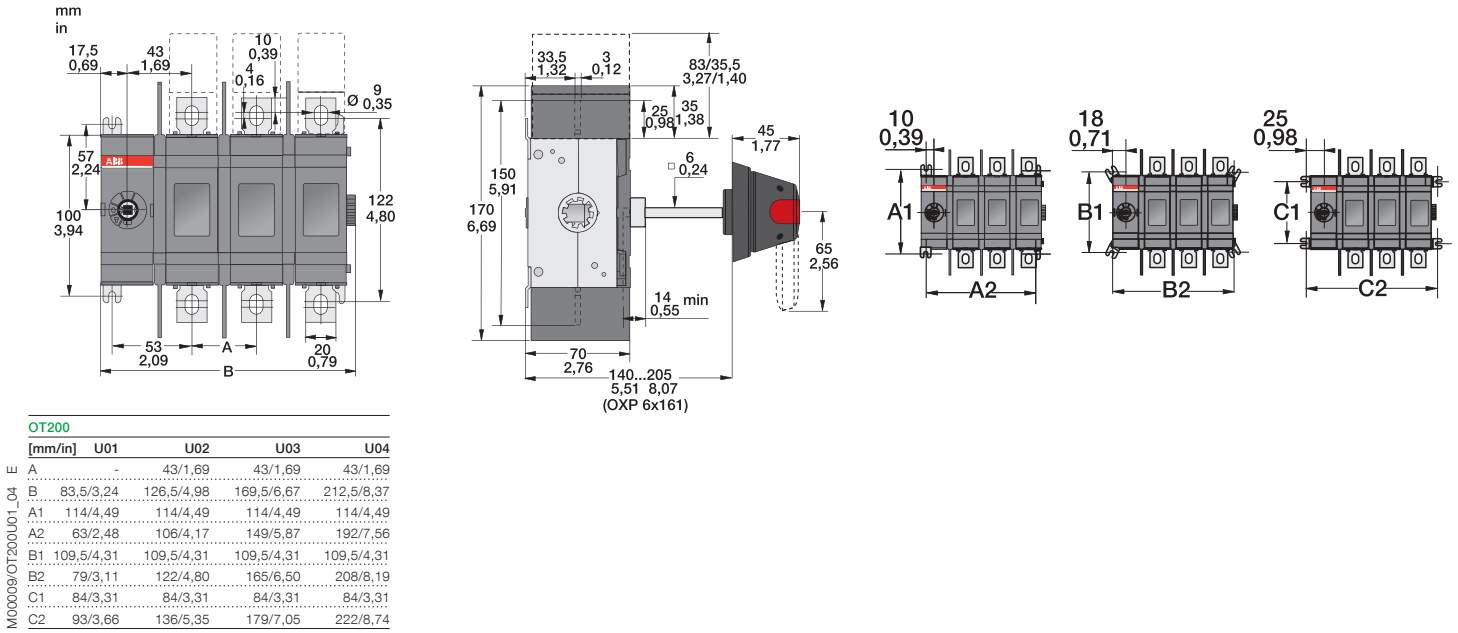
M00421/OT3200_4000E01-04 E

OT3200E_ 4000E_						
[mm/in]	01	02	03	04	03W8	04W8
A	140/5,51	140/5,51	140/5,51	185/7,28	185/7,28	185/7,28
B	234/9,21	374/14,72	514/20,24	654/25,75	604/23,78	789/31,06
A1	195/7,68	335/13,19	475/18,70	615/24,21	565/22,24	750/29,53
B1	224/8,82	364/14,33	504/19,84	644/25,35	594/23,39	779/30,67
C1	250/9,84	390/15,35	530/20,87	670/26,38	805/31,69	619/24,37

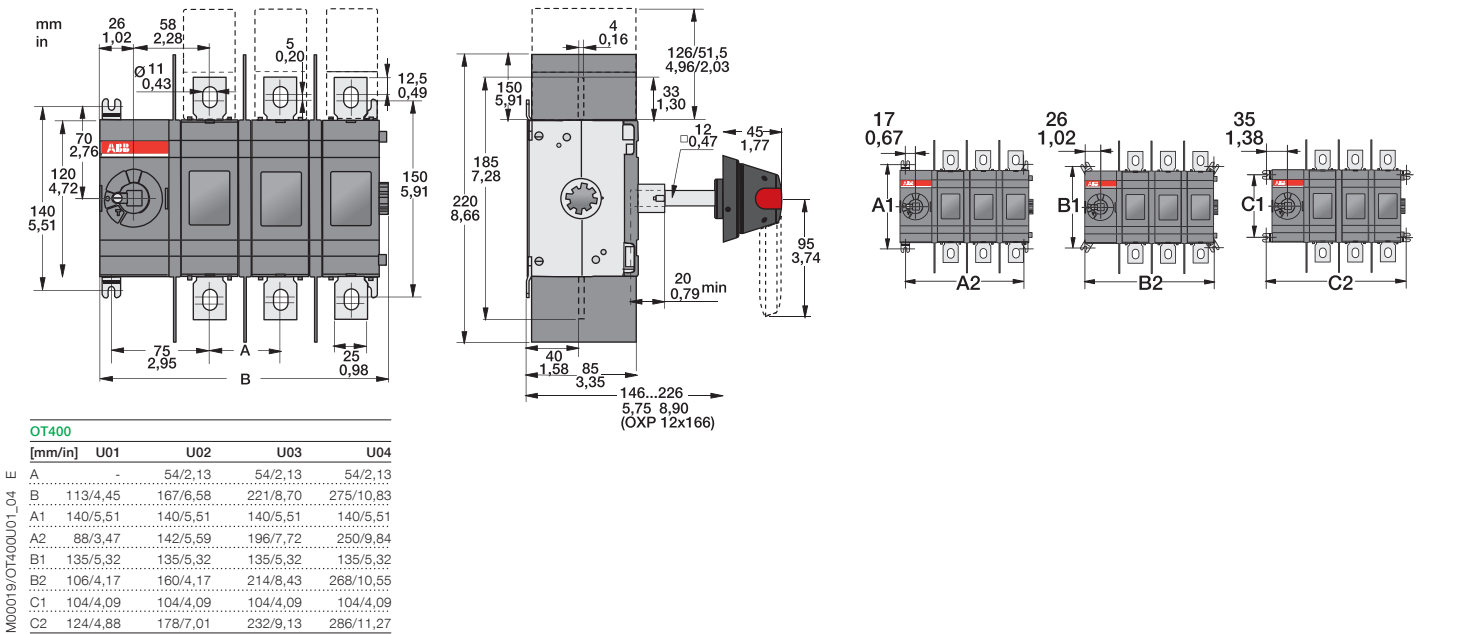
Dimension drawings

Front operated switch-disconnectors, UL/CSA

OT200U_



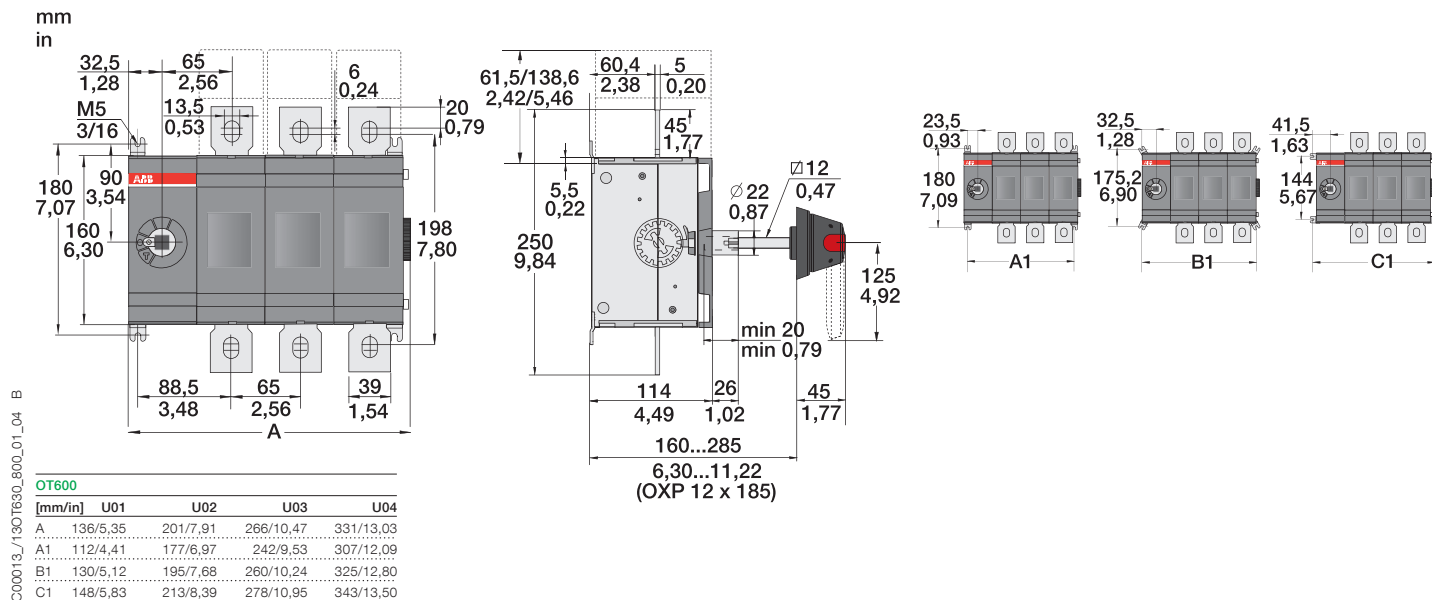
OT400U_



Dimension drawings

Front operated switch-disconnectors, UL/CSA

OT600U_



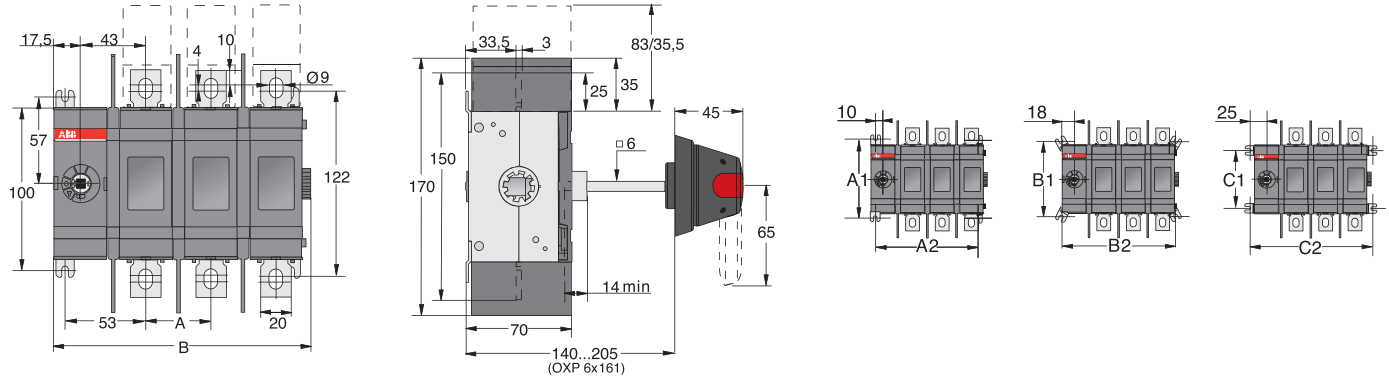
Remark: Dimension drawings for types OT800U_...OT1200U_, see page 82

Dimension drawings

Front operated switch-disconnectors, IEC

OT160EV_WP, OT200_WP and OT250_WP

Mechanism at the end of the switch

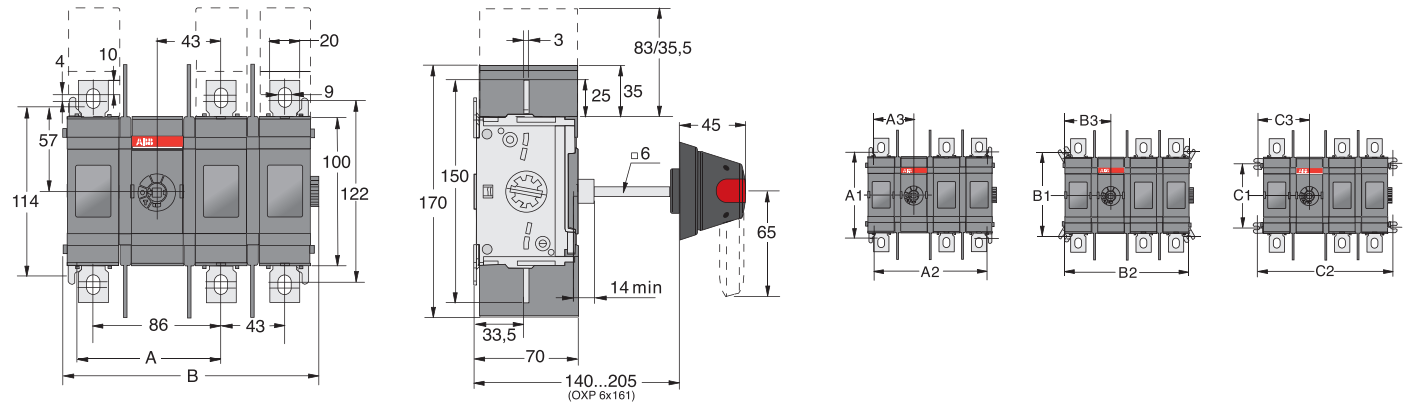


OT160EV_/200E_/250E_				
[mm]	E01W	E02W	E03W	E04W
A	-	43	43	43
B	83,5	126,5	169,5	212,5
A1	114	114	114	114
A2	63	106	149	192
B1	109,5	109,5	109,5	109,5
B2	79	122	165	208
C1	84	84	84	84
C2	93	136	179	222

M00073/OT200E01_04W_A

OT160EV_WP, OT200_WP and OT250_WP

Mechanism between the poles



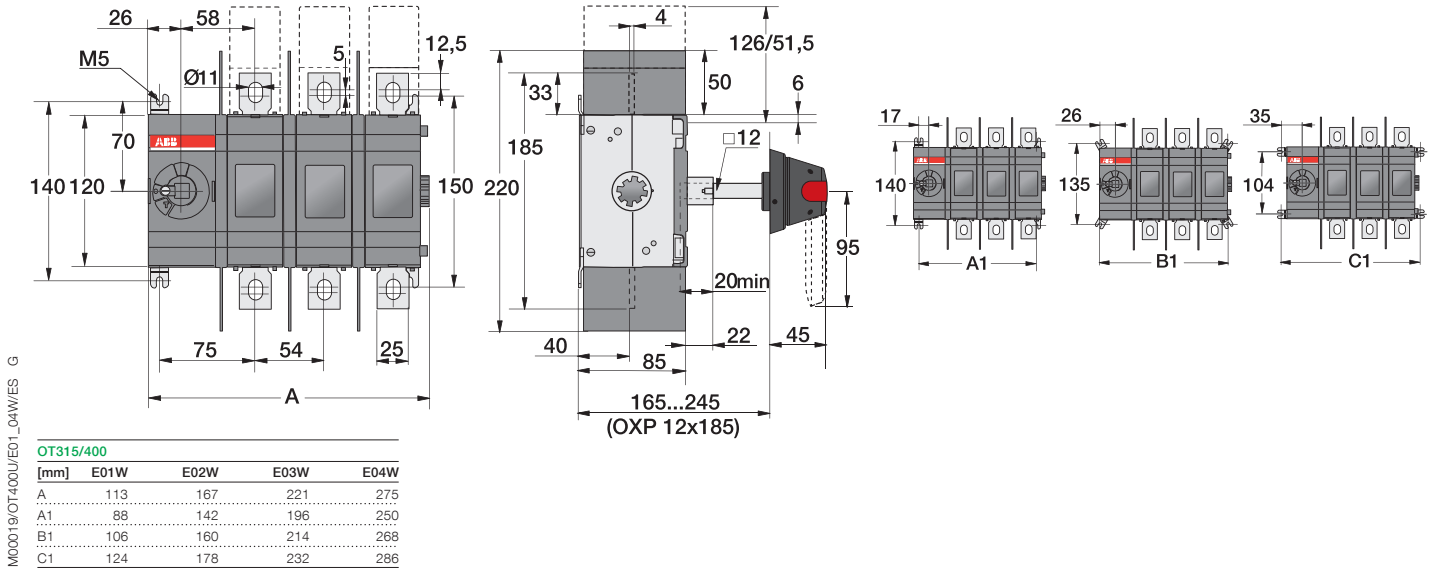
OT160EV_/200E_/250E_				
[mm]	E11W	E12W	E13W	E22W
A	96	96	96	139
B	131,5	174,5	217,5	217,5
A1	114	114	114	114
A2	106	149	192	192
A3	53	53	53	96
B1	109,5	109,5	109,5	109,5
B2	122	165	208	208
B3	61	61	61	104
C1	84	84	84	84
C2	136	179	222	222
C3	68	68	68	111

M00074/OT200E11_22W_A

Dimension drawings

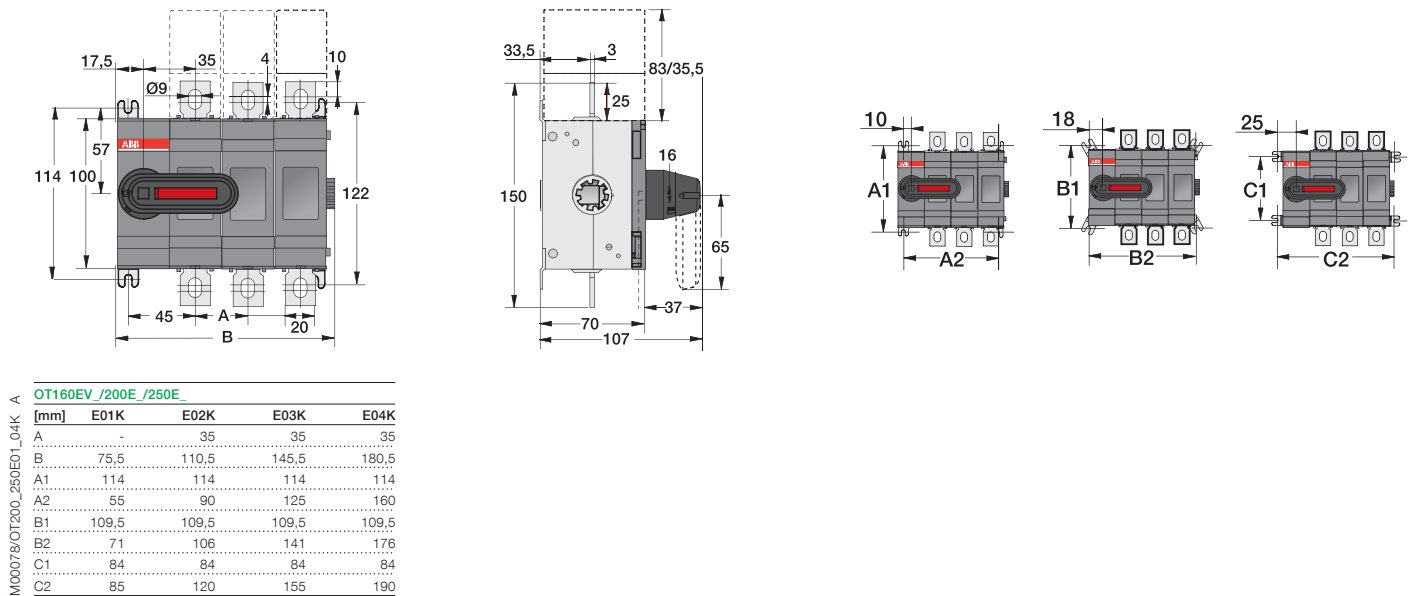
Front operated switch-disconnectors, IEC

OT315_WP and OT400_WP



Remark: Dimension drawings for types OT1000_W_P..OT2000_W_P, see pages 83 and 84

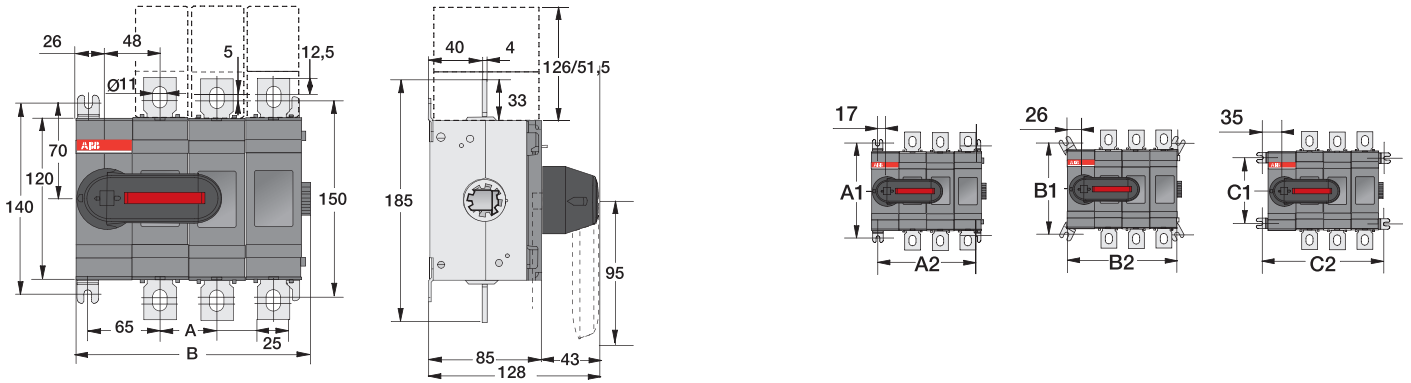
OT160EV_K, OT200_K and OT250_K



Dimension drawings

Front operated switch-disconnectors, IEC

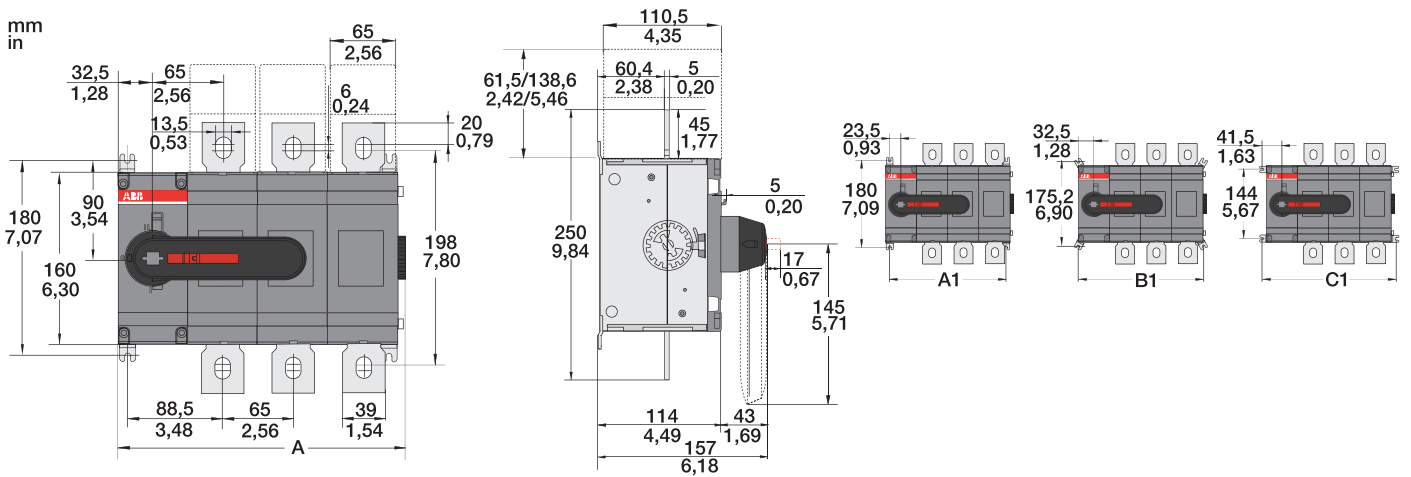
OT315_K and OT400_K



OT315...OT400				
[mm]	E01K	E02K	E03K	E04K
A	-	44	44	44
B	103	147	191	235
A1	140	140	140	140
A2	78	122	166	210
B1	135	135	135	135
B2	96	140	184	228
C1	104	104	104	104
C2	114	158	202	246

M00079/OT315_400E01_04K A

OT630_K and OT800_K



OT630/800				
[mm/in]	E01K	E02K	E03K	E04K
A	136/5,35	201/7,91	266/10,47	331/13,03
A1	112/4,41	177/6,97	242/9,53	307/12,09
B1	130/5,12	195/7,68	260/10,24	325/12,80
C1	148/5,83	213/8,39	278/10,95	343/13,50

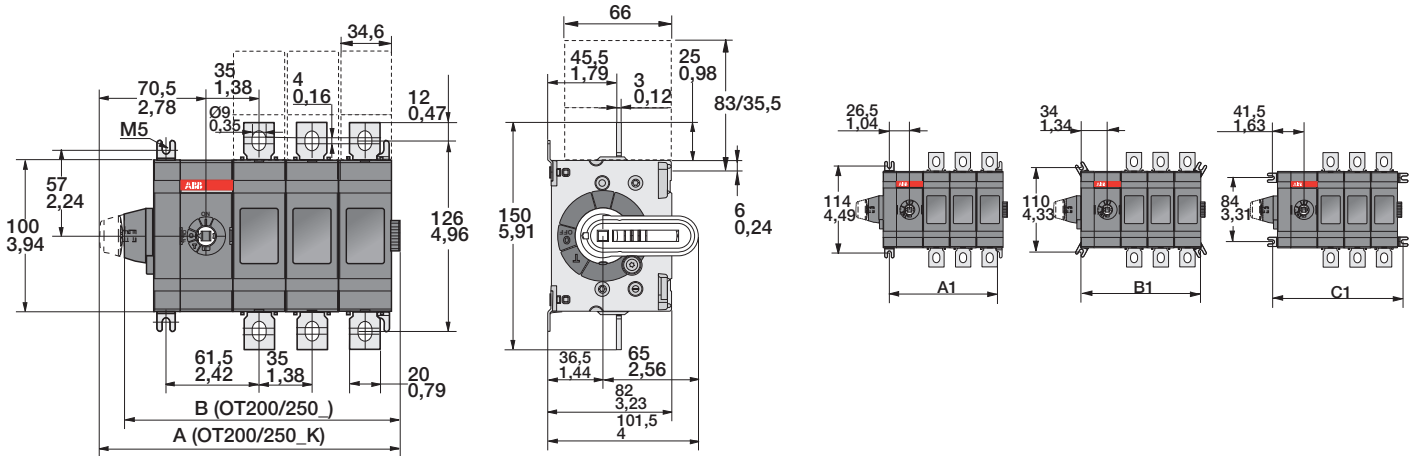
M00096/13/OT630-800_01-04K/ES A

Remark: OT1000...2500_K, see dimension drawings for switches from pages 83 and 84, dimension drawings for direct mount handle OTV1000EK, see page 103

Dimension drawings

Side operated switch-disconnectors, IEC

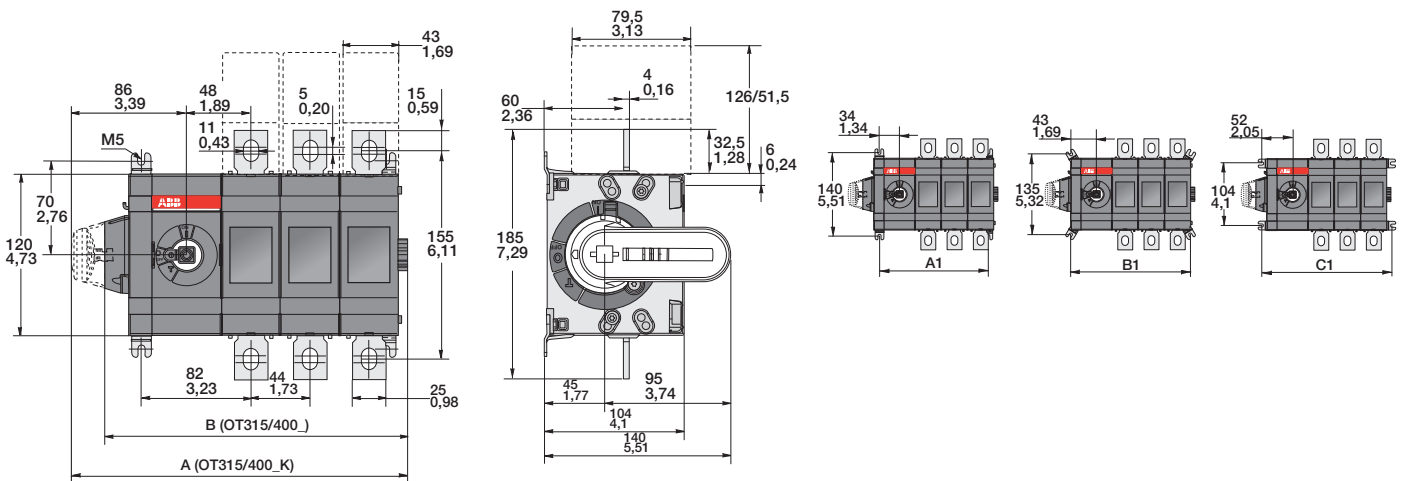
OT160EVS, OT200ES_ and OT250ES_



OT160EV_/200E_/250E_ , OT160EV_/200E_/250E_K				
[mm/in]	ES01	ES02	ES03	ES04
A	128,5/5,06	163,5/6,44	198,5/7,82	233,5/9,2
B	111,5/4,39	146,5/5,77	181,5/7,15	216,5/8,53
A1	71,5/2,81	106,5/4,2	141,5/5,57	176,5/6,95
B1	86,5/3,41	121,5/4,79	156,5/6,16	191,5/7,54
C1	101,5/4	136,5/5,38	171,5/6,75	206,5/8,14

M00144/OT200-250ES01_-04_ A

OT315ES_ and OT400ES_



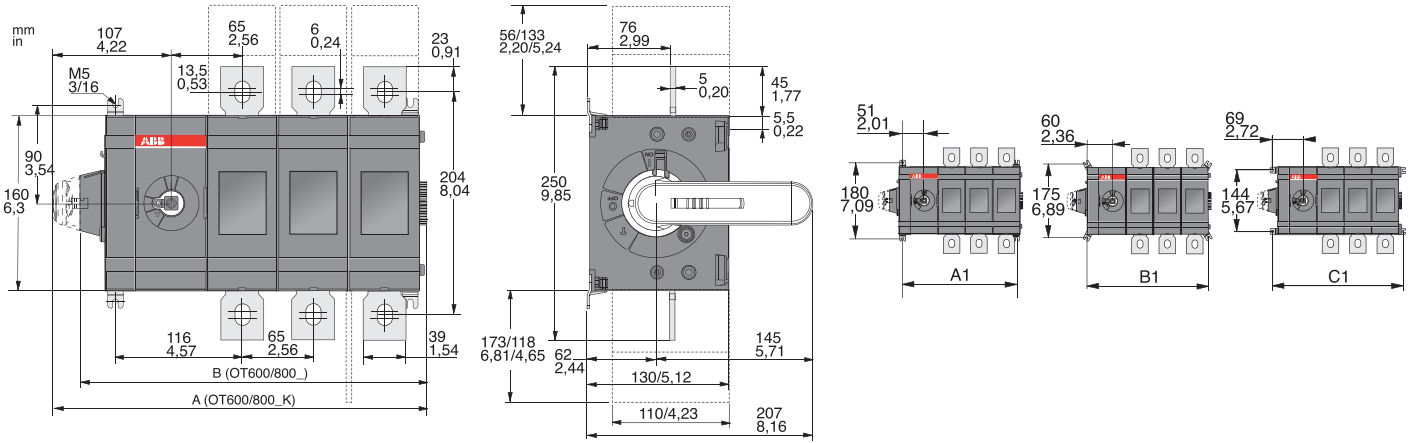
OT315/400_ , OT315/400_K				
[mm/in]	ES01	ES02	ES03	ES04
A	163/6,42	207/8,16	251/9,89	295/11,62
B	138/5,44	182/7,17	226/8,9	270/10,64
A1	95/3,74	139/5,48	183/7,21	227/8,94
B1	113/4,45	157/6,18	201/7,92	245/9,65
C1	131/5,16	175/6,89	219/8,63	263/10,36

M00145/OT315-400ES01_-04_ A

Dimension drawings

Side operated switch-disconnectors, IEC

OT630ES_ and OT800ES_



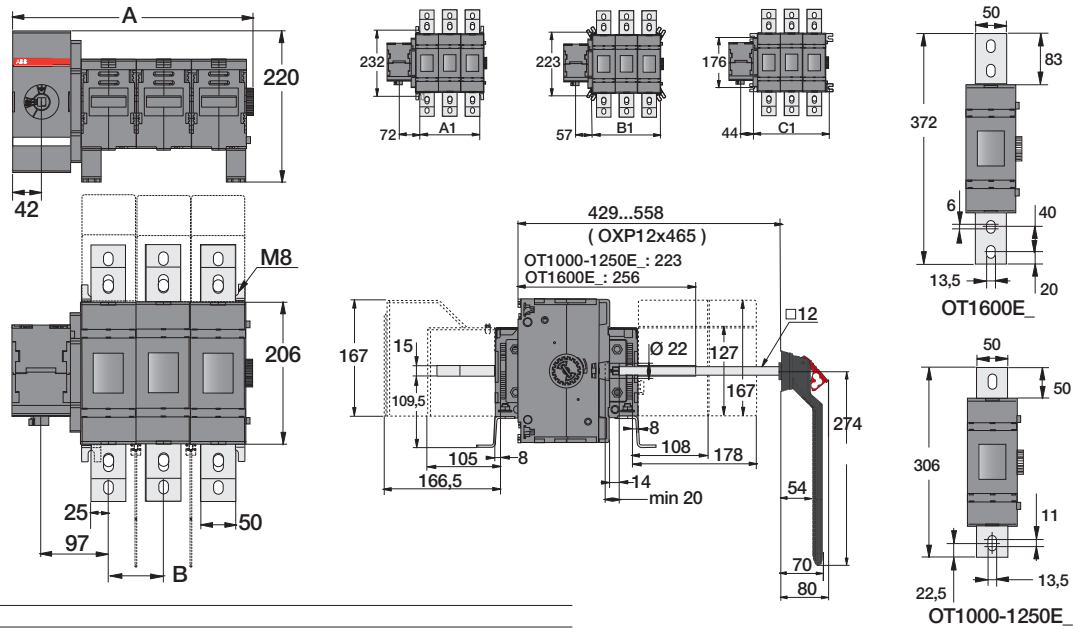
OT600/630/800_ OT600/630/800_K

[mm/in]	ES01/US01	ES02/US02	ES03/US03	ES04/US04
A	211/8,31	276/10,87	341/13,43	406/16
B	186/7,33	251/9,89	316/12,45	381/15,01
A1	140/5,51	205/8,08	270/10,64	335/13,2
B1	158/6,22	223/8,79	288/11,34	353/13,91
C1	176/6,93	241/9,49	306/12,06	371/14,62

M00147/OT600-800ES01_04 C

Dimension drawings Earthing switches, IEC

OT1000...1600EM_

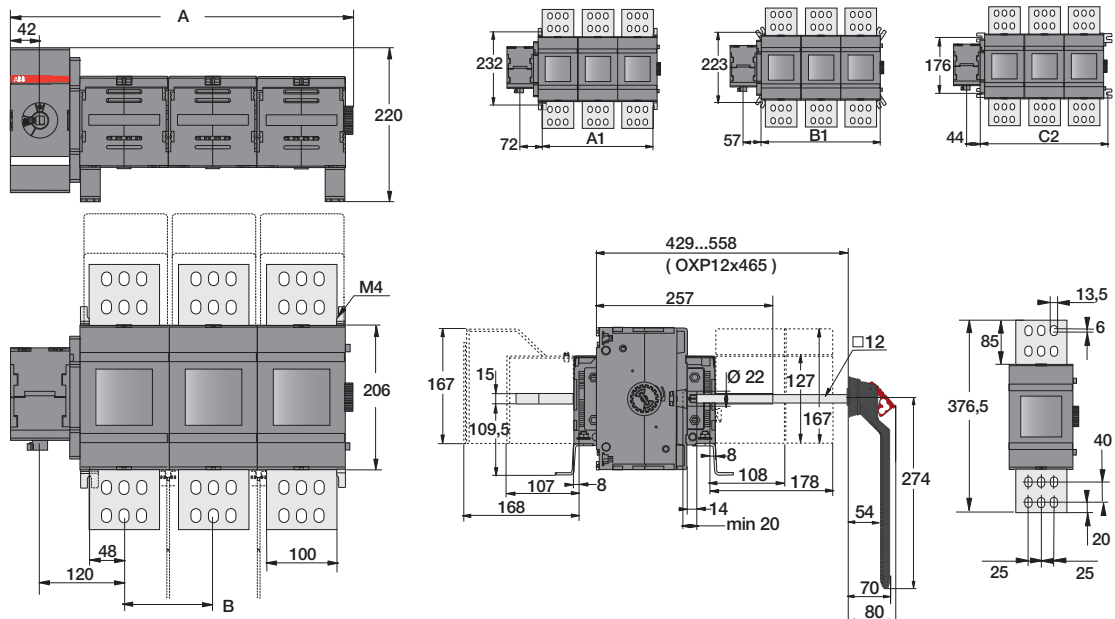


OT1000/1250/1600EM_

[mm/in]	01	02	03	04	03W4	04W4	03W8	04W8
A	189,5/7,46	269,5/10,61	349,5/13,76	429,5/16,91	469,5/18,48	609,5/24,00	559,5/22,03	744,5/29,31
B		80/3,15	80/3,15	80/3,15	140/5,51	140/5,51	185/7,28	185/7,28
A1	50/1,97	130/5,12	210/8,27	290/11,42	330/12,99	470/18,50	420/16,54	605/23,82
B1	80/3,15	160/6,30	240/9,45	320/12,60	360/14,17	500/19,69	450/17,72	635/25,00
C1	106/4,17	186/7,32	266/10,47	346/13,62	386/15,20	526/20,71	476/18,74	661/26,02

M07012/M030348/OT1600EM03 B

OT2000...2500EM_



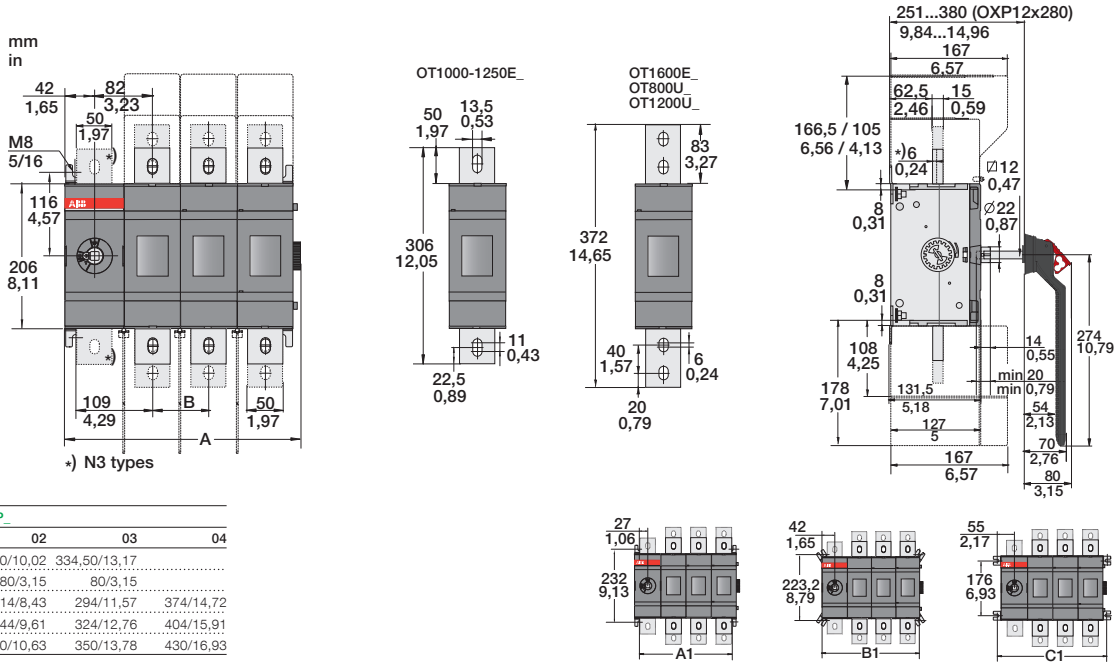
OT2000/2500EM_

[mm/in]	01	02	03	04	03W4	04W4	03W8	04W8
A	235,5/9,27	361,5/14,23	487,5/19,19	613,5/24,15	515,5/20,30	655,5/25,81	605,5/23,84	790,5/31,12
B		126/4,96	126/4,96	126/4,96	140/5,51	140/5,51	185/7,28	185/7,28
A1	96/3,78	222/8,74	348/13,70	474/18,66	376/14,80	516/20,31	466/18,35	651/25,63
B1	126/4,96	252/9,92	378/14,88	504/19,84	406/15,98	546/21,50	496/19,53	681/26,81
C1	152/5,98	278/10,94	404/15,91	530/20,87	432/17,01	572/22,52	522/20,55	707/27,83

M07013/M030349/OT2500EM03

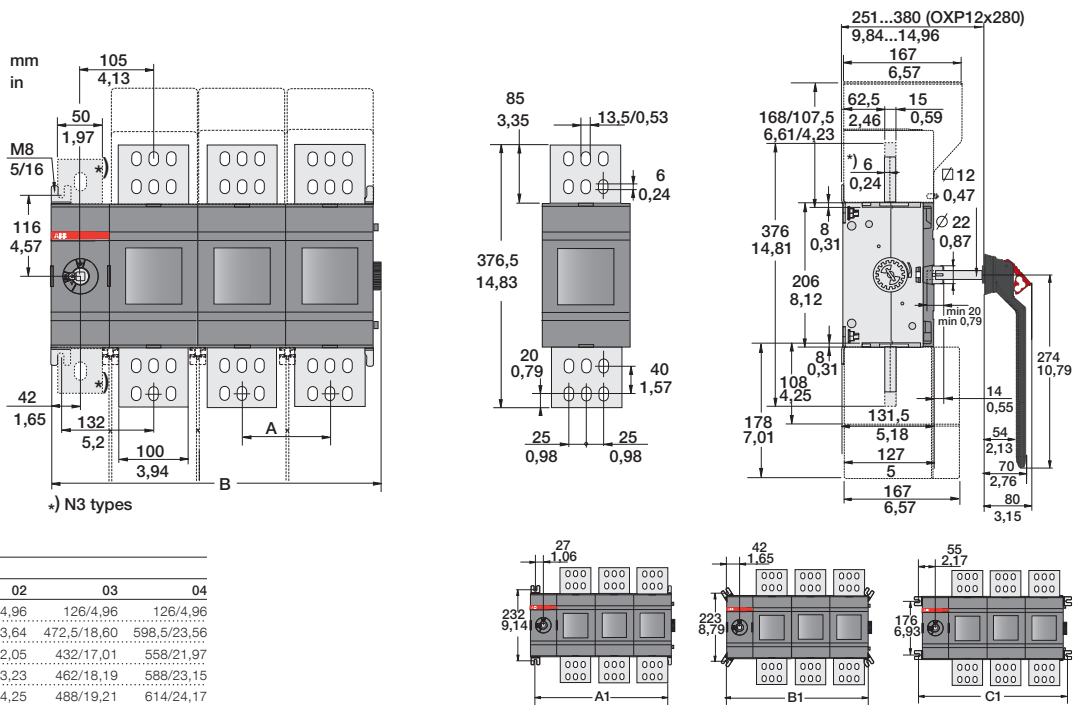
Dimension drawings Earthing switches, IEC

OT1000...1600EP_



M07010_OT1000_1600EP_A

OT2000...2500EP_

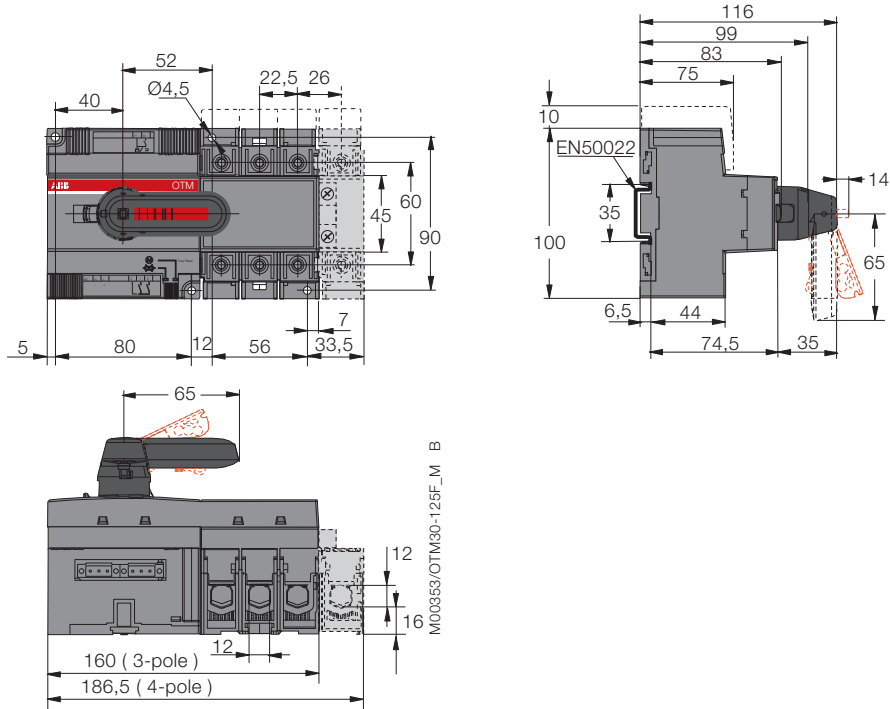


M07011_OT2000_2500EP_A

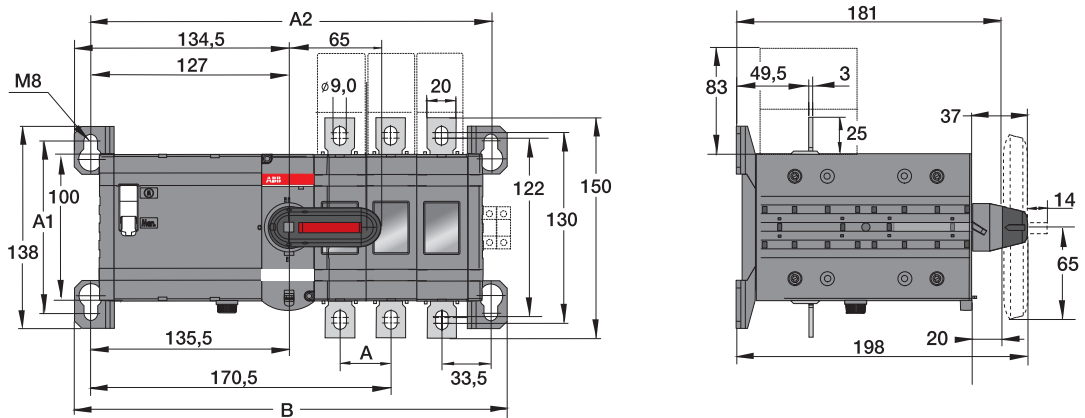
Dimension drawings

Motorized switch-disconnectors, IEC

OTM40...125F_M



OTM160...250E_M



OTM160-250_M

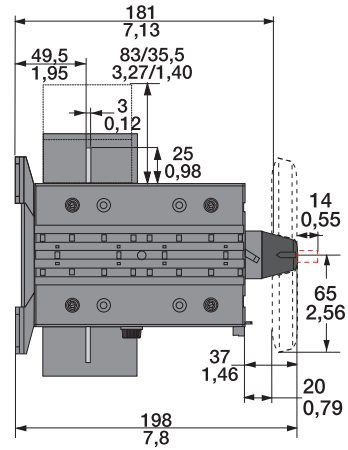
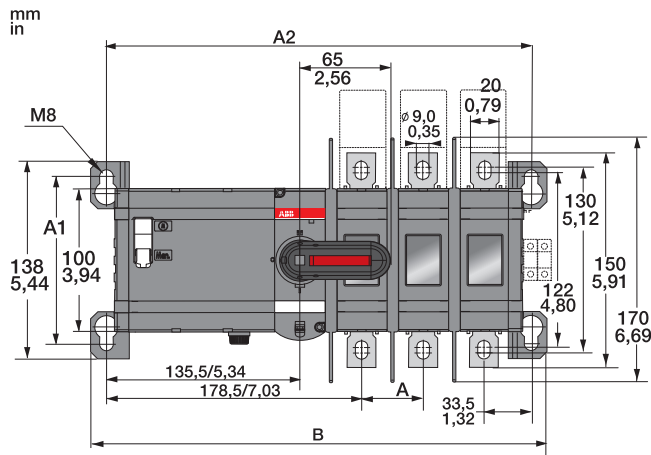
[mm]	E2	E3	E4
A	35	35	35
A1	118	118	118
A2	239	274	309
B	261	296	331

MO0276/OTM160-250E2_4_B

Dimension drawings

Motorized switch-disconnectors, IEC

OTM160...250E_WM

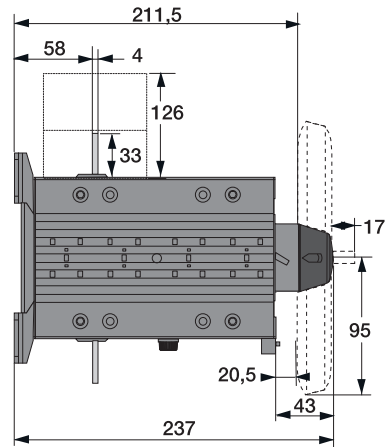
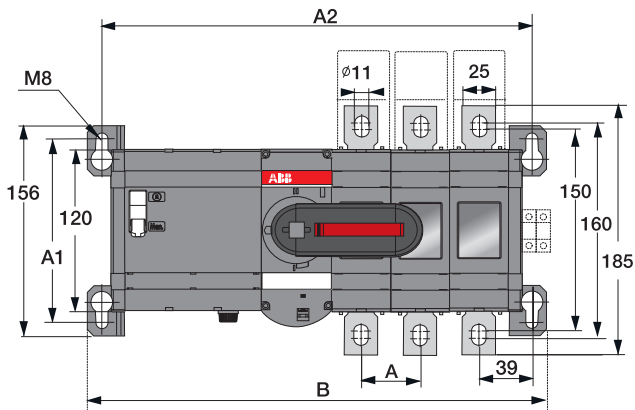


OTM160-250_M

[mm/in]	E2W	E3W	E4W
A	43/1,69	43/1,69	43/1,69
A1	118/4,65	118/4,65	118/4,65
A2	255/10,05	298/11,74	341/13,43
B	277/10,91	320/12,61	363/14,3

M07014/OTM160...250E_WM2_4

OTM315...400E_M



OTM315-400_M

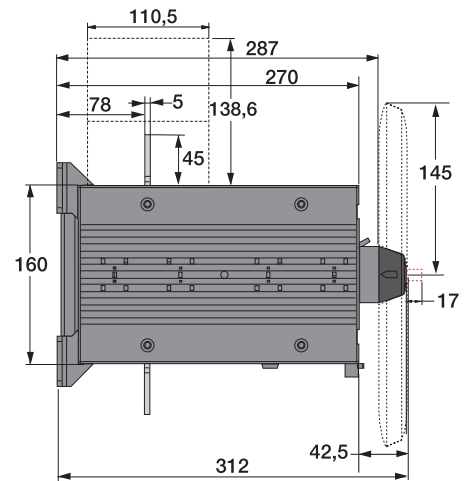
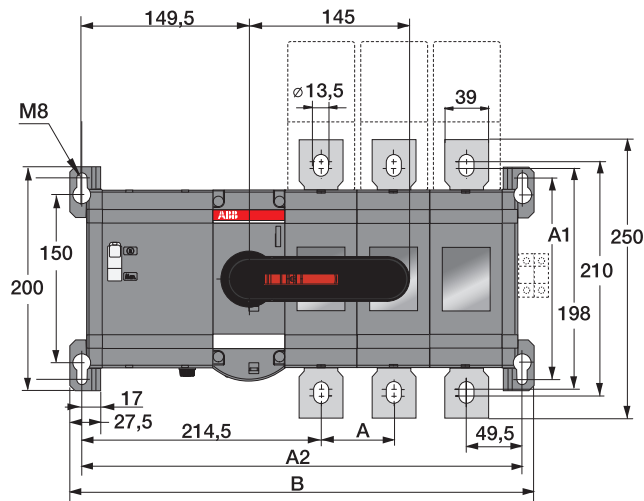
[mm]	E2	E3	E4
A	44	44	44
A1	136	136	136
A2	276	320	364
B	298	342	386

M00278/OTM315-400E2_4_B

Dimension drawings

Motorized switch-disconnectors, IEC

OTM630...800E_M

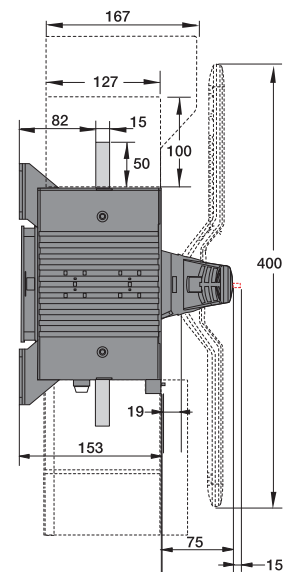
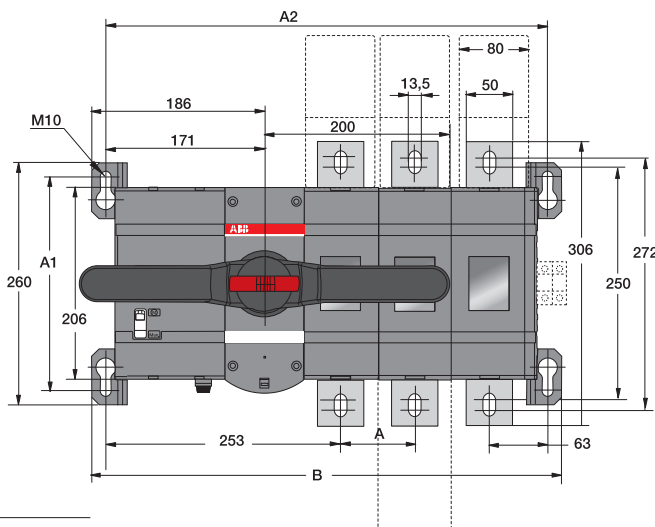


OTM630-800_M

[mm]	E2	E3	E4
A	65	65	65
A1	180	180	180
A2	329	394	459
B	350	415	480

M00281/OTM630-800E2_4_B

OTM1000...1250E_M



OTM1000-1250_M

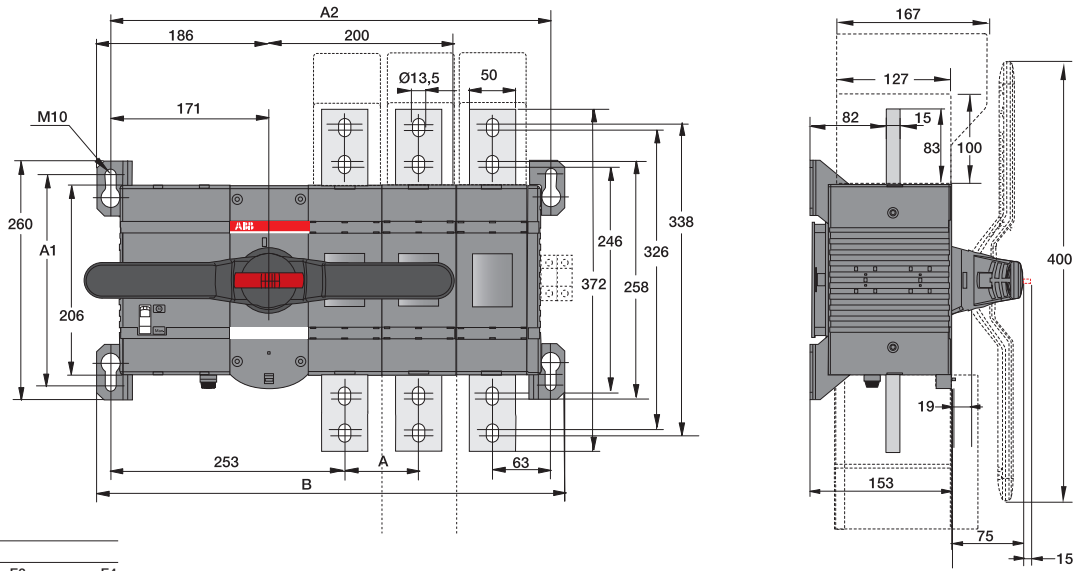
[mm]	E2	E3	E4
A	80	80	80
A1	230	230	230
A2	396,5	476,5	556,5
B	426,5	506,5	586,5

M00282/OTM1000-1250E_M_B

Dimension drawings

Motorized switch-disconnectors, IEC

OTM1600E_M

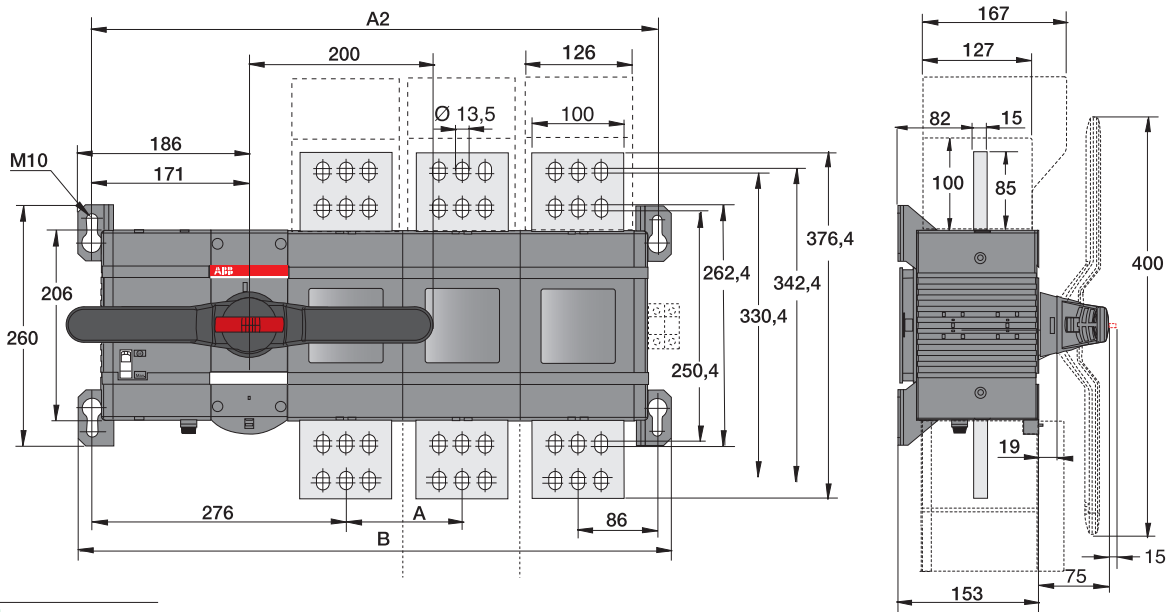


M00289/OTM1600E_M_B

OTM1600_M

[mm]	E2	E3	E4
A	80	80	80
A1	230	230	230
A2	396,5	476,5	556,5
B	426,5	506,5	586,5

OTM2000...2500E_M



M00285/OTM2000_2500E_M_B

OTM2000-2500_M

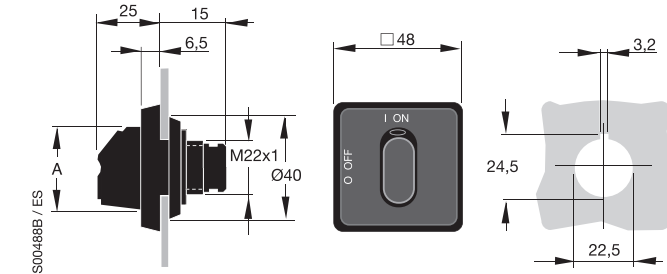
[mm]	E2	E3	E4
A	126	126	126
A1	230	230	230
A2	488,5	614,5	740,5
B	518,5	644,5	770,5

Dimension drawings

Handles

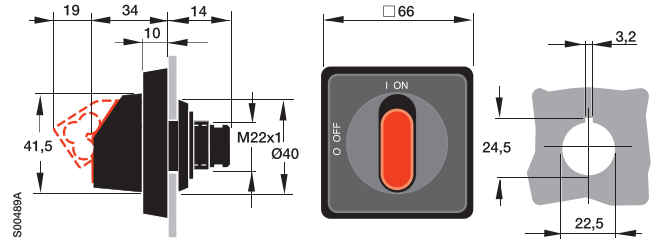
Handles for base and DIN-rail mounted switches

OH_S1A_, OH_S3A_



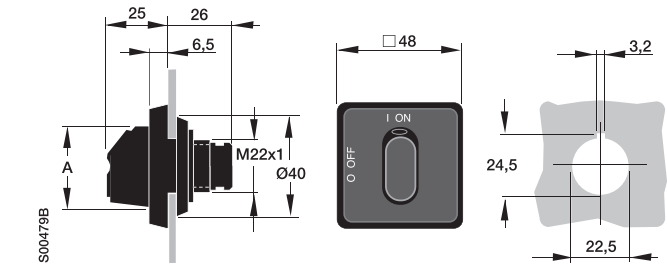
	OH_S1A_	OH_S3A_
	[mm]	[mm]
A	31,5	37,5

OH_S2A_



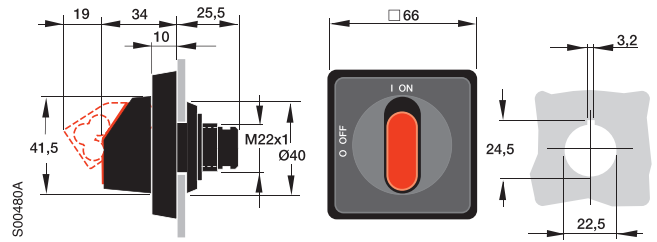
Handles for door mounted switches (snap-on mounting)

OH_S1P_, OH_S3P_



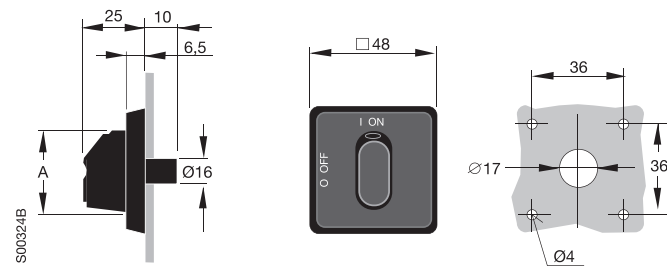
	OH_S1P_	OH_S3P_
	[mm]	[mm]
A	31,5	37,5

OH_S2P_



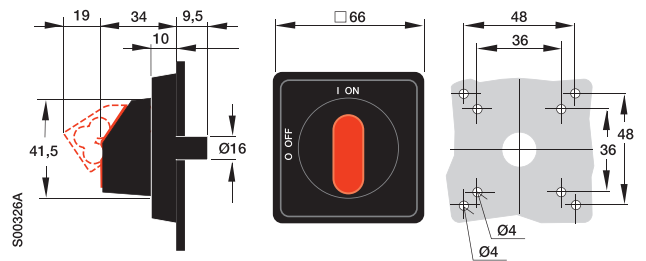
Handles for door mounted switches (screw-mounting)

OH_S1R_, OH_S3R_



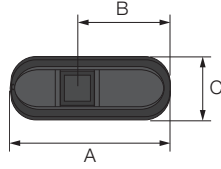
	OH_S1R_	OH_S3R_
	[mm]	[mm]
A	31,5	37,5

OH_S2R_



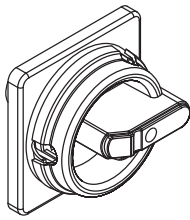
Dimension drawings Handles

Handle knobs

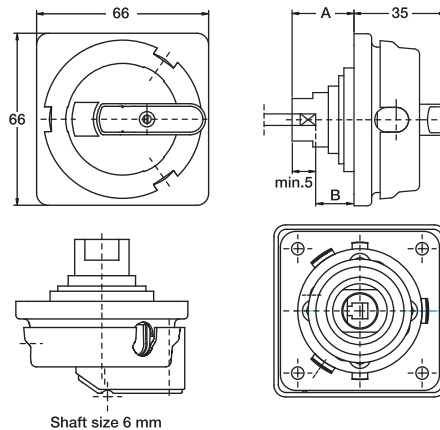


Handle type	A	B	C
OHBS1, OHRS1	31	16	14
OHBS2, OHRS2	40	25	13
OHBS3, OHRS3	39	23	18
OHBS9, OHRS9	72	55	16

Round padlockable handle OZ331P_ and OZ371P_



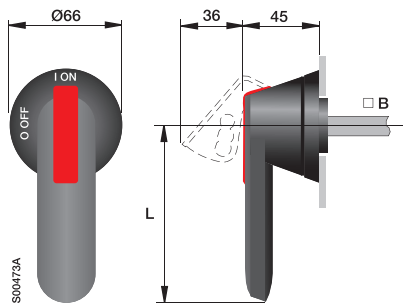
KE00031



Shaft size 6 mm

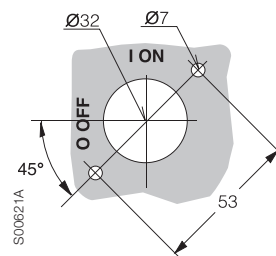
Handle type	OZ331P_	OZ371_
	[mm]	[mm]
A	24	21
B	3-10	4-5

Plastic handles



S00473A

Door drilling for OH_ handles:

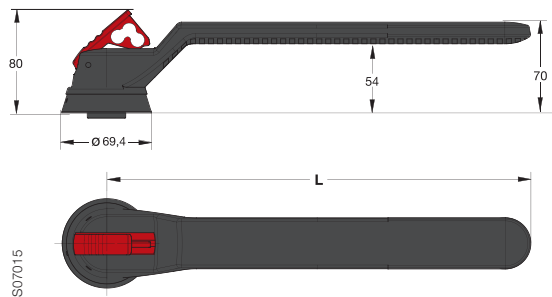


S00621A

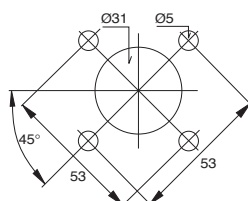
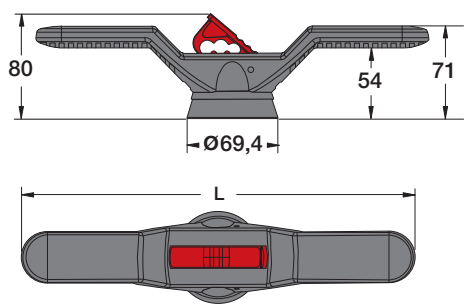
Handle type	Shaft diameter B	Length L
	[mm]	[mm]
OH_45J6	6	45
OH_65J6	6	65
OH_80J6	6	80
OH_95J12	12	95
OH_125J12	12	125
OH_145J12	12	145
OH_175J12	12	175
OH_275J12	12	275

Dimension drawings Handles

Plastic handles



Handle type	Length L [mm]
OH_274J12	274
OH_330J12	330

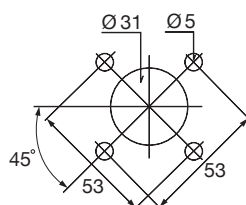
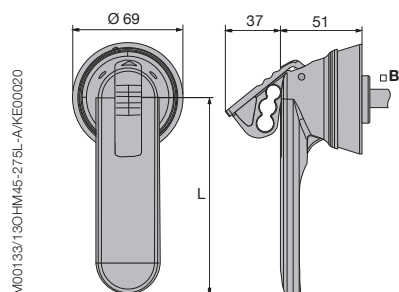


Handle type	Length L [mm]
OHB150J12P	300
OHB200J12P	400

Stainless steel handles

OHM_

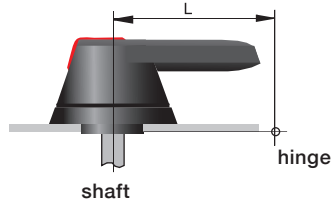
Door drilling for OHM_



Handle type	Shaft diameter B [mm]	Length L [mm]
OHM65L6	6	65
OHM125L12	12	125
OHM175L12	12	175
OHM275L12	12	275

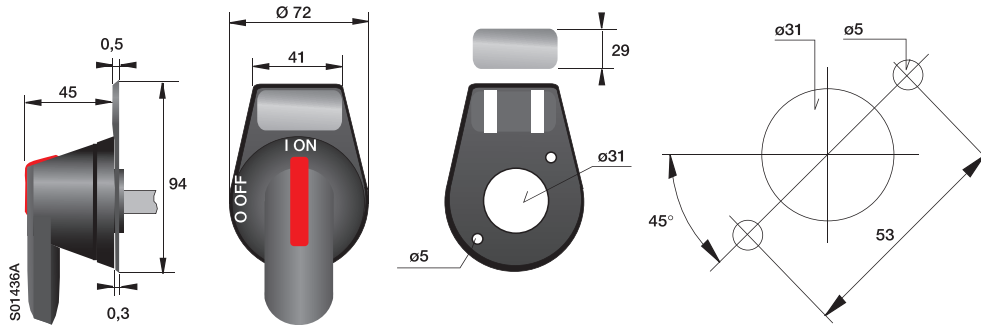
Dimension drawings Handles, legend plate

Minimum distance L between the hinge and the rotating shaft



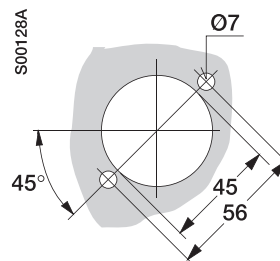
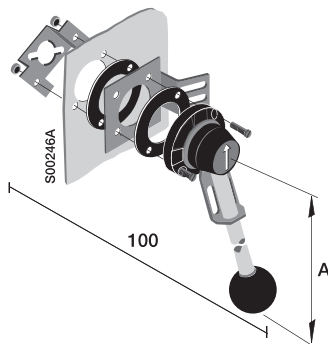
Sizes [A]	Length L [mm]	Handle type
OT16...125	75	OH_1, OH_2, OH_3
OT160...250_P	60	OH_65J
OT315...400_P	95	OH_95J
OT630...800_P	150	OH_125J
OT1000...2500_P	274	OH_274J
QOT1000...2500_P	330	OH_330J
DETL3150	220	YASDA7, 8
DETL3150	275	OH_275J12

Legend plate for pistol handles, OPB3, OPY3 and OPX3



Metallic handles

Door drilling for YASDA_ :

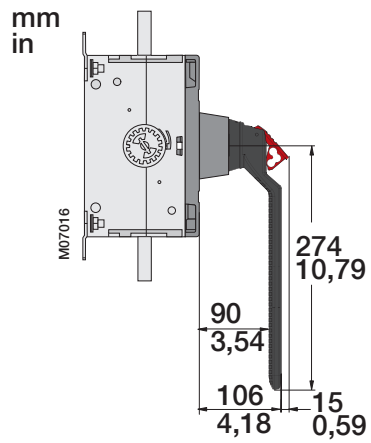


YASDA_	YASDA35
[mm]	320
A	

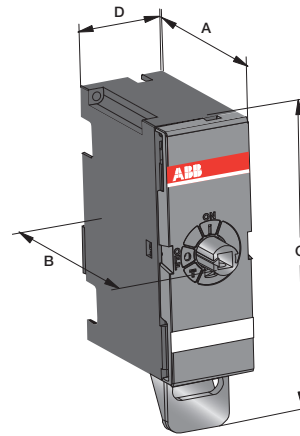
Dimension drawings

Handles, interlocks and motor operator

OTV1000EK



Electrical and mechanical interlock OTZT_



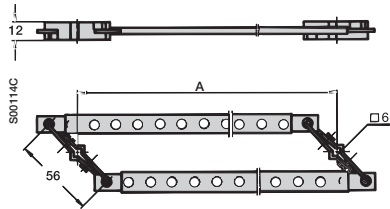
OTZT_				
[mm]	OTZT1_	OTZT2_	OTZT3_	OTZT4_
A	69	81	86	88
B	82	102	110	110
C	122	152	201	258
D	35	52	65	84

Dimension drawings

Conversion kits

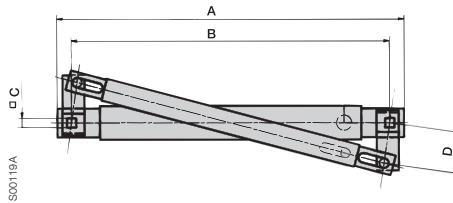
6 and 8-pole switches

OTZW8



[mm]	A
	(min)
OT16...40F	45+(0...12)x15
OT63...80F	60+(0...11)x15
OT100...125F	75+(0...10)x15

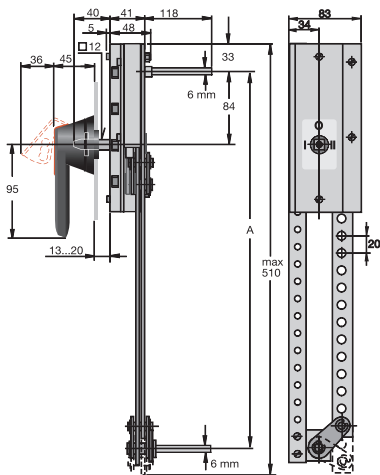
Mechanical interlock



	OTZW10, 24	OTZW10	OTZW24
A		206	114
B		190	100
C		6	6
D		30	15

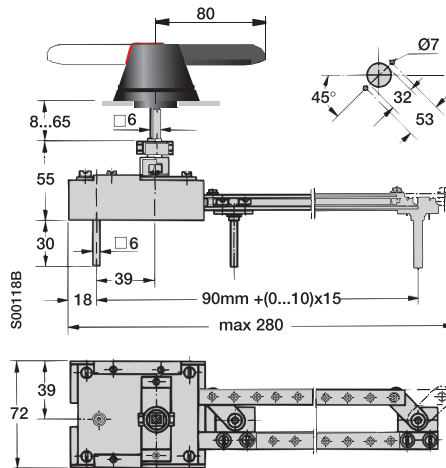
Change-over and by-pass switches

OTZW25

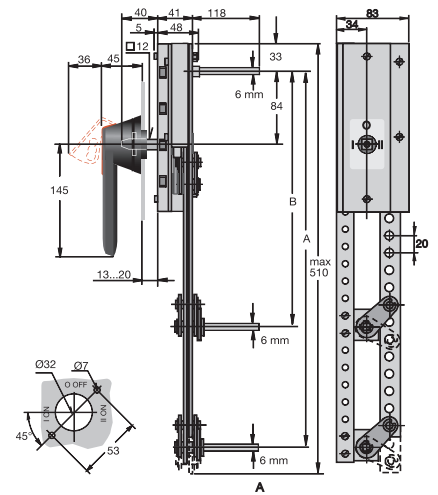


A00213_B	OTZW25	A
		210+(0...18)x20mm

OTZW17



OTZW26



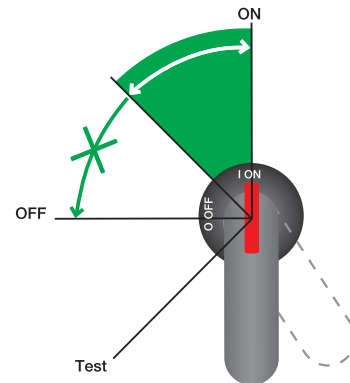
S00219A	OTZW26	A	B
		210+(0...9)x20mm	210+(0...9)x20mm

Contact functions

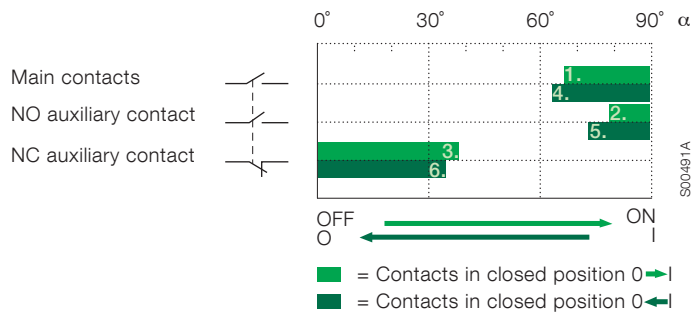
Handle indications

Handle indications and functions

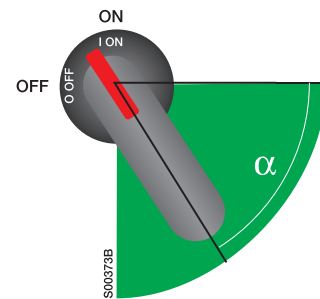
- The handle indicates the position of the contacts with complete reliability in all situations. If the contacts are welded together, the handle does not reach the OFF-position but remains between ON and OFF, maintaining the door interlock and preventing padlocking.
- When operating the switch fuse to the Test-position with a test handle the test auxiliary contacts change position. The main contacts remain open.



ON and OFF-functions of main and auxiliary contacts



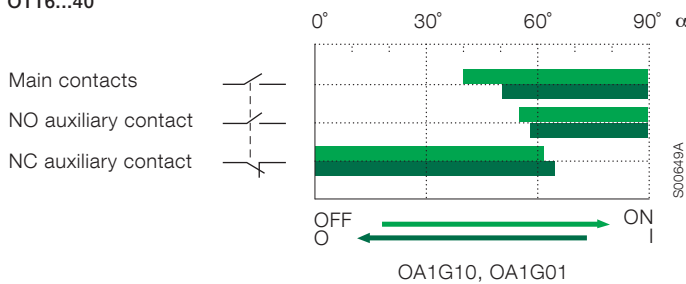
- Closing: 1. Main contacts close 2. NO auxiliary contacts close 3. NC auxiliary contacts open
 Opening: 4. Main contacts open 5. NO auxiliary contacts open 6. NC auxiliary contacts close



ON and OFF-functions of main and auxiliary contacts OT16...125

Auxiliary contact OA2G11, simultaneous function with main contacts.

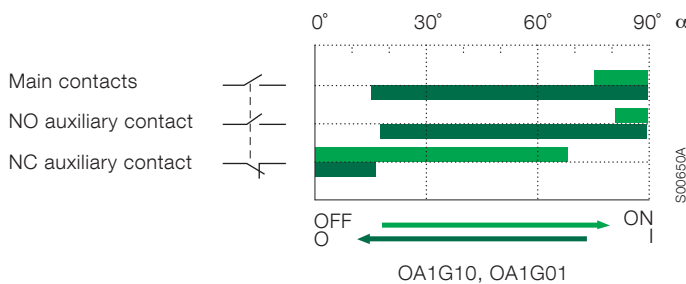
OT16...40



Auxiliary contact	Contact configuration
OA1G10	1NO
OA1G01	1NC
OA2G11*	1NO+1NC

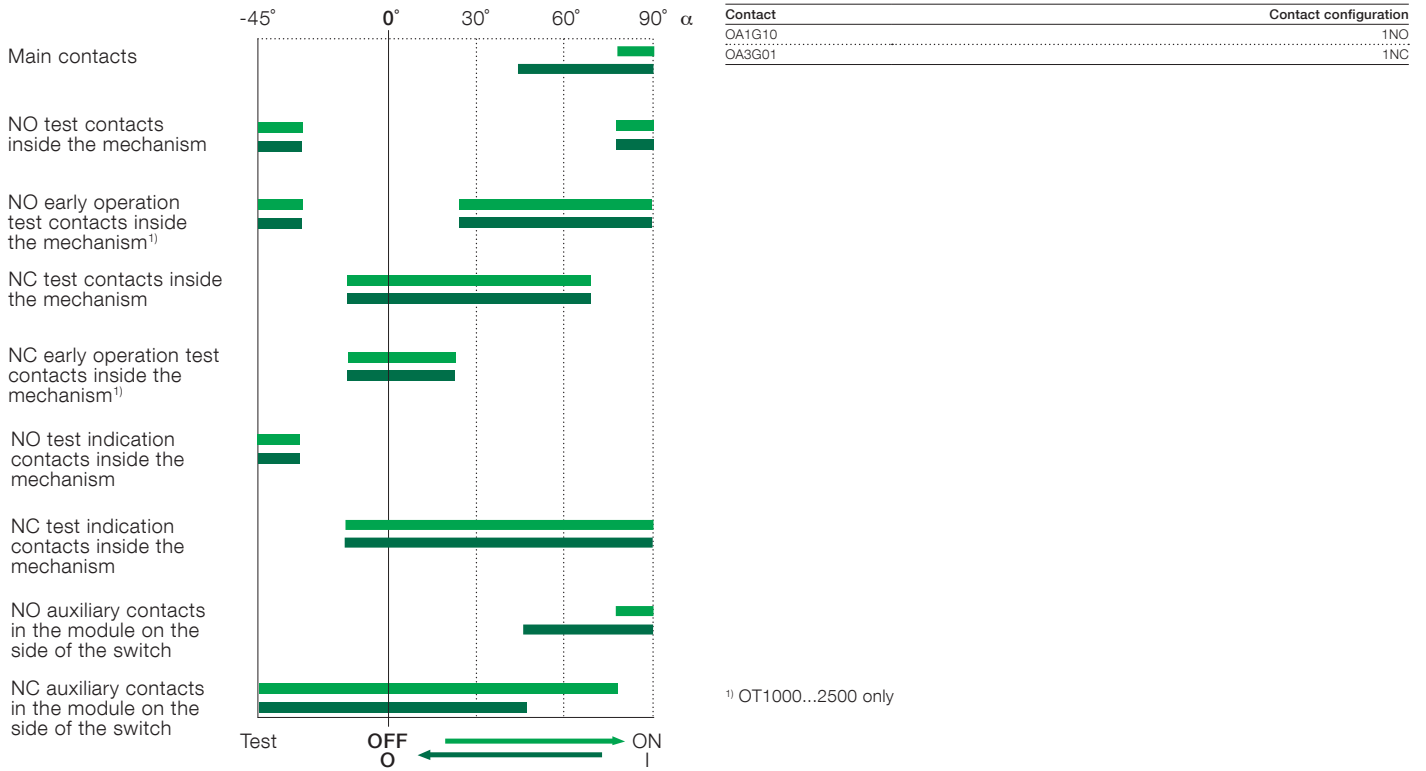
* Auxiliary contact OA2G11, simultaneous function with main contacts.

OT63...125



Contact functions

ON and OFF-functions of main and auxiliary contacts OT160EV...4000



Index

Type	Order number	Description	Page	Type	Order number	Description	Page
-	1SDA062127R1	Cable set for mechanical interlock	70	OHBS2AJ	1SCA105213R1001	Selector type handle	43
OA1G01	1SCA022353R4890	Auxiliary contact block	56	OHBS2AJ1	1SCA105215R1001	Selector type handle	43
OA1G01AU	1SCA022436R7830	Auxiliary contact block	56	OHBS2AJ1EH	1SCA105217R1001	Selector type handle	43
OA1G10	1SCA022353R4970	Auxiliary contact block	56	OHBS2AJEH	1SCA108230R1001	Selector type handle	43
OA1G10	1SCA022353R4970	Auxiliary contact block	57	OHBS2PJ	1SCA105231R1001	Selector type handle	44
OA1G10	1SCA022353R4970	Auxiliary contact block	58	OHBS2RJ	1SCA105232R1001	Selector type handle	44
OA1G10AU	1SCA022436R7910	Auxiliary contact block	56	OHBS3	1SCA108320R1001	Handle knob	42
OA1G10AU	1SCA022436R7910	Auxiliary contact block	57	OHBS3/1	1SCA108319R1001	Handle knob	42
OA1G10AU	1SCA022436R7910	Auxiliary contact block	58	OHBS3AH	1SCA105234R1001	Selector type handle	43
OA1L11	1SCA022555R9870	Auxiliary contact block	56	OHBS3AH1	1SCA105235R1001	Selector type handle	43
OA2G11	1SCA022379R8100	Auxiliary contact block	56	OHBS3PH	1SCA105236R1001	Selector type handle	44
OA2G11	1SCA022379R8100	Auxiliary contact block	58	OHBS3RH	1SCA105237R1001	Selector type handle	44
OA2L11	1SCA022424R3190	Auxiliary contact block	56	OHBS9	1SCA108665R1001	Handle knob	42
OA3G01	1SCA022456R7410	Auxiliary contact block	57	OHBS9/1	1SCA108689R1001	Handle knob	42
OA3G01	1SCA022456R7410	Auxiliary contact block	58	OHG125J12	1SCA022381R1640	Pistol type handle	46
OA3G01AU	1SCA022819R5260	Auxiliary contact block	57	OHG145J12	1SCA132709R1001	Pistol type handle	46
OA3G01AU	1SCA022819R5260	Auxiliary contact block	58	OHG45J6	1SCA022380R8850	Pistol type handle	46
OA3L11	1SCA022555R9950	Auxiliary contact block	56	OHG65J6	1SCA022380R9740	Pistol type handle	46
OA8G01	1SCA022744R2240	Auxiliary contact block	58	OHG65J6E00S	1SCA022383R4510	Pistol type handle	49
OEA28	1SCA022714R8810	Module for auxiliary contacts	57	OHG65J6TE00S	1SCA109014R1001	Pistol type handle	49
OETLZX58	1SCA022068R8220	Shaft support for long shaft	55	OHG80J6	1SCA022381R0320	Pistol type handle	46
OHB125J12	1SCA022381R1560	Pistol type handle	46	OHG95J12	1SCA022381R0910	Pistol type handle	46
OHB125J12T	1SCA022652R2220	Pistol type handle	46	OHGS1AH	1SCA105261R1001	Selector type handle	43
OHB145J12	1SCA022381R2110	Pistol type handle	46	OHGS1AH1	1SCA105262R1001	Selector type handle	43
OHB145J12E00S	1SCA022679R9700	Pistol type handle	49	OHGS1PH	1SCA105263R1001	Selector type handle	44
OHB145J12T	1SCA022652R2570	Pistol type handle	46	OHGS1RH	1SCA105264R1001	Selector type handle	44
OHB150J12P	1SCA022865R9430	Pistol type handle	47	OHGS2AJ	1SCA105265R1001	Selector type handle	43
OHB175J12T	1SCA022708R0740	Pistol type handle	46	OHGS2AJ1	1SCA105266R1001	Selector type handle	43
OHB200J12P	1SCA022865R9510	Pistol type handle	47	OHGS2PJ	1SCA105268R1001	Selector type handle	44
OHB200J12PT	1SCA106510R1001	Pistol type handle	47	OHGS2RJ	1SCA105269R1001	Selector type handle	44
OHB200L12P	1SCA111564R1001	Pistol type handle	47	OHGS3AH	1SCA105270R1001	Selector type handle	43
OHB274J12	1SCA115920R1001	Pistol type handle	47	OHGS3AH1	1SCA105271R1001	Selector type handle	43
OHB274J12T	1SCA120250R1001	Pistol type handle	47	OHGS3PH	1SCA105272R1001	Selector type handle	44
OHB330J12	1SCA115922R1001	Pistol type handle	47	OHGS3RH	1SCA105273R1001	Selector type handle	44
OHB330J12T	1SCA120252R1001	Pistol type handle	47	OHM125L12	1SCA022739R1150	Stainless steel handle	49
OHB45J6	1SCA022380R8770	Pistol type handle	46	OHM175L12	1SCA022739R1230	Stainless steel handle	49
OHB65J6	1SCA022380R9660	Pistol type handle	46	OHM200L12P	1SCA104439R1001	Stainless steel handle	49
OHB65J6E00S	1SCA022382R9850	Pistol type handle	49	OHM275L12	1SCA022832R4840	Stainless steel handle	49
OHB65J6T	1SCA022399R8110	Pistol type handle	46	OHM65L6	1SCA022739R1070	Stainless steel handle	49
OHB65J6TE00S	1SCA109016R1001	Pistol type handle	49	OHRS1	1SCA109095R1001	Handle knob	42
OHB80J6	1SCA022381R0240	Pistol type handle	46	OHRS1/1	1SCA109096R1001	Handle knob	42
OHB95J12	1SCA022381R0830	Pistol type handle	46	OHRS12	1SCA108253R1001	Handle knob	42
OHB95J12T	1SCA022736R1750	Pistol type handle	46	OHRS2	1SCA108598R1001	Handle knob	42
OHBS1	1SCA109087R1001	Handle knob	42	OHRS2/1	1SCA108599R1001	Handle knob	42
OHBS1/1	1SCA109088R1001	Handle knob	42	OHRS3	1SCA108667R1001	Handle knob	42
OHBS12	1SCA108252R1001	Handle knob	42	OHRS3/1	1SCA108688R1001	Handle knob	42
OHBS1AH	1SCA102680R1001	Selector type handle	43	OHRS9	1SCA108666R1001	Handle knob	42
OHBS1AH1	1SCA105210R1001	Selector type handle	43	OHRS9/1	1SCA108690R1001	Handle knob	42
OHBS1PH	1SCA105211R1001	Selector type handle	44	OHSS1AH	1SCA105274R1001	Selector type handle	43
OHBS1RH	1SCA105212R1001	Selector type handle	44	OHSS1AH1	1SCA105275R1001	Selector type handle	43
OHBS2	1SCA109089R1001	Handle knob	42	OHSS1PH	1SCA105276R1001	Selector type handle	44
OHBS2/1	1SCA109090R1001	Handle knob	42	OHSS1RH	1SCA105277R1001	Selector type handle	44

Type	Order number	Description	Page
OHSS2AJ	1SCA105278R1001	Selector type handle	43
OHSS2AJ1	1SCA105279R1001	Selector type handle	43
OHSS2PJ	1SCA105280R1001	Selector type handle	44
OHSS2RJ	1SCA105281R1001	Selector type handle	44
OHSS3AH	1SCA105283R1001	Selector type handle	43
OHSS3AH1	1SCA105284R1001	Selector type handle	43
OHSS3PH	1SCA105285R1001	Selector type handle	44
OHSS3RH	1SCA105286R1001	Selector type handle	44
OHY125J12	1SCA022381R1720	Pistol type handle	46
OHY125J12T	1SCA022652R2310	Pistol type handle	46
OHY145J12	1SCA022381R2370	Pistol type handle	46
OHY145J12T	1SCA022652R2650	Pistol type handle	46
OHY150J12P	1SCA101586R1001	Pistol type handle	47
OHY175J12T	1SCA111508R1001	Pistol type handle	46
OHY200J12P	1SCA101587R1001	Pistol type handle	47
OHY200J12PT	1SCA111512R1001	Pistol type handle	47
OHY200L12P	1SCA111569R1001	Pistol type handle	47
OHY274J12	1SCA115919R1001	Pistol type handle	47
OHY330J12	1SCA115921R1001	Pistol type handle	47
OHY45J6	1SCA022380R8930	Pistol type handle	46
OHY65J6	1SCA022380R9820	Pistol type handle	46
OHY65J6E00S	1SCA022382R9930	Pistol type handle	49
OHY65J6T	1SCA022456R9540	Pistol type handle	46
OHY65J6TE00S	1SCA022688R0140	Pistol type handle	49
OHY80J6	1SCA022381R0410	Pistol type handle	46
OHY95J12	1SCA022381R1050	Pistol type handle	46
OHY95J12T	1SCA022736R1910	Pistol type handle	46
OHYS1AH	1SCA105290R1001	Selector type handle	43
OHYS1AH1	1SCA105291R1001	Selector type handle	43
OHYS1PH	1SCA105294R1001	Selector type handle	44
OHYS1RH	1SCA105295R1001	Selector type handle	44
OHYS2AJ	1SCA105296R1001	Selector type handle	43
OHYS2AJ1	1SCA105297R1001	Selector type handle	43
OHYS2PJ	1SCA105322R1001	Selector type handle	44
OHYS2RJ	1SCA105323R1001	Selector type handle	44
OHYS3AH	1SCA105325R1001	Selector type handle	43
OHYS3AH1	1SCA105326R1001	Selector type handle	43
OHYS3PH	1SCA105327R1001	Selector type handle	44
OHYS3RH	1SCA105328R1001	Selector type handle	44
OHZX10	1SCA022661R3610	Shaft alignment ring	55
OHZX11	1SCA022708R3170	Shaft alignment ring	55
OHZX14	1SCA022851R6590	Extension ring for pistol type handle	55
OHZX4	1SCA022467R2470	Door interlock bracket for pistol type handles	64
OHZX6	1SCA022559R5670	Pistol handle mounting kit	51
OPB2	1SCA022353R4110	Legend plate	50
OPB2EN1	1SCA022400R2070	Legend plate	50
OPB3	1SCA022679R3410	Legend plate	50
OPBS1	1SCA111519R1001	Legend plate	50
OPBS1EN1	1SCA111520R1001	Legend plate	50
OPG2	1SCA022353R4380	Legend plate	50
OPG2EN1	1SCA022400R2310	Legend plate	50
OPGS1	1SCA111563R1001	Legend plate	50
OPGS1EN1	1SCA111526R1001	Legend plate	50
OPS2	1SCA022353R4460	Legend plate	50
OPS2EN1	1SCA022400R2230	Legend plate	50
OPSS1	1SCA111523R1001	Legend plate	50
OPSS1EN1	1SCA111525R1001	Legend plate	50

Type	Order number	Description	Page
OPX3	1SCA022679R3500	Legend plate	50
OPX3/TEXT	1SCA022696R6370	Legend plate	50
OPX3DE1	1SCA022695R0700	Legend plate	50
OPX3EN1	1SCA022695R0610	Legend plate	50
OPX3FH1	1SCA022695R0530	Legend plate	50
OPX3SE1	1SCA022695R0880	Legend plate	50
OPY2	1SCA022353R4200	Legend plate	50
OPY2EN1	1SCA022400R2740	Legend plate	50
OPY3	1SCA022695R0450	Legend plate	50
OPYS1	1SCA111528R1001	Legend plate	50
OPYS1EN1	1SCA111530R1001	Legend plate	50
OSGZD1	1SCA115688R1001	DIN-rail mounting kit	64
OT1000E03K	1SCA108353R1001	Switch-disconnector	27
OT1000E03N3P	1SCA100761R1001	Switch-disconnector	25
OT1000E03P	1SCA022860R5930	Switch-disconnector	25
OT1000E03W4P	1SCA022871R7310	Switch-disconnector	29
OT1000E03W8P	1SCA022871R8110	Switch-disconnector	29
OT1000E04K	1SCA108355R1001	Switch-disconnector	27
OT1000E04P	1SCA022860R6150	Switch-disconnector	25
OT1000E04W4P	1SCA100762R1001	Switch-disconnector	29
OT1000E12P	1SCA022871R5520	Switch-disconnector	25
OT1000E22P	1SCA022871R5610	Switch-disconnector	25
OT1000EM03P	1SCA118937R1001	Earthing switch	34
OT1000EM04P	1SCA118950R1001	Earthing switch	34
OT1000EP03P	1SCA118451R1001	Earthing switch	35
OT1000EP04P	1SCA118452R1001	Earthing switch	35
OT100F3	1SCA105004R1001	Switch-disconnector	21
OT100F3	1SCA105004R1001	Non-fusible disconnect switch	30
OT100F4N2	1SCA105018R1001	Switch-disconnector	21
OT100F4N2	1SCA105018R1001	Non-fusible disconnect switch	30
OT100F6	1SCA105021R1001	Switch-disconnector	22
OT100F6	1SCA105021R1001	Non-fusible disconnect switch	31
OT100F8	1SCA105022R1001	Switch-disconnector	22
OT100F8	1SCA105022R1001	Non-fusible disconnect switch	31
OT100FT3	1SCA105023R1001	Switch-disconnector	23
OT100FT4N2	1SCA105031R1001	Switch-disconnector	23
OT1200U03	1SCA022860R6820	Non-fusible disconnect switch	32
OT1200U04	1SCA022860R7040	Non-fusible disconnect switch	32
OT1200U12	1SCA105659R1001	Non-fusible disconnect switch	32
OT1200U22	1SCA105663R1001	Non-fusible disconnect switch	32
OT1250E03K	1SCA108356R1001	Switch-disconnector	27
OT1250E03N3P	1SCA022865R7060	Switch-disconnector	25
OT1250E03P	1SCA022860R6230	Switch-disconnector	25
OT1250E03W4P	1SCA022866R1920	Switch-disconnector	29
OT1250E03W8P	1SCA022871R8540	Switch-disconnector	29
OT1250E04K	1SCA108357R1001	Switch-disconnector	27
OT1250E04P	1SCA022860R6310	Switch-disconnector	25
OT1250E04W4P	1SCA022866R2220	Switch-disconnector	29
OT1250E12P	1SCA022871R5790	Switch-disconnector	25
OT1250E22P	1SCA022871R5870	Switch-disconnector	25
OT1250EM03P	1SCA115708R1001	Earthing switch	34
OT1250EM03W4P	1SCA115805R1001	Earthing switch	34
OT1250EM03W8P	1SCA115810R1001	Earthing switch	34
OT1250EM04P	1SCA118949R1001	Earthing switch	34
OT1250EM04W4P	1SCA118940R1001	Earthing switch	34
OT1250EM04W8P	1SCA118941R1001	Earthing switch	34
OT1250EP03P	1SCA118453R1001	Earthing switch	35
OT1250EP04P	1SCA118454R1001	Earthing switch	35

Type	Order number	Description	Page	Type	Order number	Description	Page
OT125F3	1SCA105033R1001	Switch-disconnector	21	OT16M4	1SCA022497R0730	Switch-disconnector	21
OT125F4N2	1SCA105051R1001	Switch-disconnector	21	OT2000E03K	1SCA108359R1001	Switch-disconnector	27
OT125F6	1SCA105057R1001	Switch-disconnector	22	OT2000E03N3P	1SCA108037R1001	Switch-disconnector	25
OT125F6	1SCA105057R1001	Non-fusible disconnect switch	31	OT2000E03P	1SCA108036R1001	Switch-disconnector	25
OT125F8	1SCA105059R1001	Switch-disconnector	22	OT2000E03W4P	1SCA108042R1001	Switch-disconnector	29
OT125F8	1SCA105059R1001	Non-fusible disconnect switch	31	OT2000E03W8P	1SCA108045R1001	Switch-disconnector	29
OT125FL3	1SCA112372R1001	Switch-disconnector	21	OT2000E04K	1SCA108362R1001	Switch-disconnector	27
OT125FLA3	1SCA114832R1001	Switch-disconnector	21	OT2000E04P	1SCA108038R1001	Switch-disconnector	25
OT125FLB3	1SCA114833R1001	Switch-disconnector	21	OT2000E12P	1SCA108039R1001	Switch-disconnector	25
OT125FT3	1SCA105060R1001	Switch-disconnector	23	OT2000E13W4P	1SCA109284R1001	Switch-disconnector	29
OT125FT4N2	1SCA105066R1001	Switch-disconnector	23	OT2000E13W8P	1SCA109283R1001	Switch-disconnector	29
OT125M3	1SCA022429R9140	Switch-disconnector	21	OT2000E22P	1SCA108041R1001	Switch-disconnector	25
OT125M4	1SCA022429R9220	Switch-disconnector	21	OT2000EM03P	1SCA118939R1001	Earthing switch	34
OT1600E03K	1SCA108352R1001	Switch-disconnector	27	OT2000EM04P	1SCA118947R1001	Earthing switch	34
OT1600E03N3P	1SCA022865R6920	Switch-disconnector	25	OT2000EP03P	1SCA118457R1001	Earthing switch	35
OT1600E03P	1SCA022860R6580	Switch-disconnector	25	OT2000EP04P	1SCA118458R1001	Earthing switch	35
OT1600E03W4P	1SCA022865R9860	Switch-disconnector	29	OT200E03K	1SCA022763R4820	Switch-disconnector	27
OT1600E03W8P	1SCA022871R8970	Switch-disconnector	29	OT200E03P	1SCA022712R0800	Switch-disconnector	24
OT1600E04K	1SCA108358R1001	Switch-disconnector	27	OT200E03WP	1SCA022744R2670	Switch-disconnector	28
OT1600E04P	1SCA022860R6740	Switch-disconnector	25	OT200E04K	1SCA022763R4910	Switch-disconnector	27
OT1600E04W4P	1SCA022866R1090	Switch-disconnector	29	OT200E04P	1SCA022713R4930	Switch-disconnector	24
OT1600E12P	1SCA022871R5950	Switch-disconnector	25	OT200E04WP	1SCA022744R3130	Switch-disconnector	28
OT1600E22P	1SCA022871R6090	Switch-disconnector	25	OT200E12P	1SCA022721R3990	Switch-disconnector	24
OT1600EM03P	1SCA115815R1001	Earthing switch	34	OT200E12WP	1SCA022744R2910	Switch-disconnector	28
OT1600EM03W4P	1SCA115822R1001	Earthing switch	34	OT200E22P	1SCA022721R4020	Switch-disconnector	24
OT1600EM03W8P	1SCA115827R1001	Earthing switch	34	OT200E22WP	1SCA022744R3300	Switch-disconnector	28
OT1600EM04P	1SCA118948R1001	Earthing switch	34	OT200ES03	1SCA022860R0200	Side operated switch-disconnector	33
OT1600EM04W4P	1SCA118942R1001	Earthing switch	34	OT200ES03K	1SCA022860R0620	Side operated switch-disconnector	33
OT1600EM04W8P	1SCA118944R1001	Earthing switch	34	OT200ES04	1SCA022860R0540	Side operated switch-disconnector	33
OT1600EP03P	1SCA118455R1001	Earthing switch	35	OT200ES04K	1SCA022860R0710	Side operated switch-disconnector	33
OT1600EP04P	1SCA118456R1001	Earthing switch	35	OT200U03	1SCA022723R0220	Non-fusible disconnect switch	32
OT160EV03K	1SCA120513R1001	Switch-disconnector	27	OT200U04	1SCA022723R0490	Non-fusible disconnect switch	32
OT160EV03P	1SCA120514R1001	Switch-disconnector	24	OT200U12	1SCA022752R1890	Non-fusible disconnect switch	32
OT160EV03WP	1SCA120517R1001	Switch-disconnector	28	OT200U22	1SCA022741R8960	Non-fusible disconnect switch	32
OT160EV04K	1SCA120520R1001	Switch-disconnector	27	OT2500E03K	1SCA108361R1001	Switch-disconnector	27
OT160EV04P	1SCA120521R1001	Switch-disconnector	24	OT2500E03N3P	1SCA108035R1001	Switch-disconnector	25
OT160EV04WP	1SCA120523R1001	Switch-disconnector	28	OT2500E03P	1SCA104972R1001	Switch-disconnector	25
OT160EV12P	1SCA120529R1001	Switch-disconnector	24	OT2500E03W4P	1SCA108047R1001	Switch-disconnector	29
OT160EV12WP	1SCA120606R1001	Switch-disconnector	28	OT2500E03W8P	1SCA108049R1001	Switch-disconnector	29
OT160EV22P	1SCA120537R1001	Switch-disconnector	24	OT2500E04K	1SCA108363R1001	Switch-disconnector	27
OT160EV22WP	1SCA120539R1001	Switch-disconnector	28	OT2500E04P	1SCA105140R1001	Switch-disconnector	25
OT160EVS03	1SCA120563R1001	Side operated switch-disconnector	33	OT2500E12P	1SCA104978R1001	Switch-disconnector	25
OT160EVS03K	1SCA120570R1001	Side operated switch-disconnector	33	OT2500E13W4P	1SCA109285R1001	Switch-disconnector	29
OT160EVS04	1SCA120564R1001	Side operated switch-disconnector	33	OT2500E13W8P	1SCA109286R1001	Switch-disconnector	29
OT160EVS04K	1SCA120565R1001	Side operated switch-disconnector	33	OT2500E22P	1SCA105156R1001	Switch-disconnector	25
OT16F3	1SCA104811R1001	Switch-disconnector	21	OT2500EM03P	1SCA115835R1001	Earthing switch	34
OT16F3	1SCA104811R1001	Non-fusible disconnect switch	30	OT2500EM03W4P	1SCA115840R1001	Earthing switch	34
OT16F4N2	1SCA104829R1001	Switch-disconnector	21	OT2500EM03W8P	1SCA115843R1001	Earthing switch	34
OT16F4N2	1SCA104829R1001	Non-fusible disconnect switch	30	OT2500EM04P	1SCA118946R1001	Earthing switch	34
OT16F6	1SCA104834R1001	Switch-disconnector	22	OT2500EM04W4P	1SCA118943R1001	Earthing switch	34
OT16F6	1SCA104834R1001	Non-fusible disconnect switch	31	OT2500EM04W8P	1SCA118945R1001	Earthing switch	34
OT16F8	1SCA104836R1001	Switch-disconnector	22	OT2500EP03P	1SCA118459R1001	Earthing switch	35
OT16F8	1SCA104836R1001	Non-fusible disconnect switch	31	OT2500EP04P	1SCA118460R1001	Earthing switch	35
OT16FT3	1SCA104838R1001	Switch-disconnector	22	OT250E03K	1SCA022763R5040	Switch-disconnector	27
OT16FT3	1SCA104838R1001	Non-fusible disconnect switch	30	OT250E03P	1SCA022710R1001	Switch-disconnector	24
OT16FT4N2	1SCA105711R1001	Switch-disconnector	23	OT250E03WP	1SCA022744R3560	Switch-disconnector	28
OT16FT4N2	1SCA105711R1001	Non-fusible disconnect switch	30	OT250E04K	1SCA022763R5210	Switch-disconnector	27
OT16M3	1SCA022497R0220	Switch-disconnector	21	OT250E04P	1SCA022710R0520	Switch-disconnector	24

Type	Order number	Description	Page
OT250E04WP	1SCA022744R3810	Switch-disconnector	28
OT250E12P	1SCA022721R4110	Switch-disconnector	24
OT250E12WP	1SCA022745R0000	Switch-disconnector	28
OT250E22P	1SCA022721R4290	Switch-disconnector	24
OT250E22WP	1SCA022745R0180	Switch-disconnector	28
OT250ES03	1SCA022860R0890	Side operated switch-disconnector	33
OT250ES03K	1SCA022860R0970	Side operated switch-disconnector	33
OT250ES04	1SCA022860R1010	Side operated switch-disconnector	33
OT250ES04K	1SCA022860R1190	Side operated switch-disconnector	33
OT25F3	1SCA104857R1001	Switch-disconnector	21
OT25F3	1SCA104857R1001	Non-fusible disconnect switch	30
OT25F4N2	1SCA104886R1001	Switch-disconnector	21
OT25F4N2	1SCA104886R1001	Non-fusible disconnect switch	30
OT25F6	1SCA104880R1001	Switch-disconnector	22
OT25F6	1SCA104880R1001	Non-fusible disconnect switch	31
OT25F8	1SCA104882R1001	Switch-disconnector	22
OT25F8	1SCA104882R1001	Non-fusible disconnect switch	31
OT25FT3	1SCA104884R1001	Switch-disconnector	23
OT25FT3	1SCA104884R1001	Non-fusible disconnect switch	30
OT25FT4N2	1SCA104900R1001	Switch-disconnector	23
OT25FT4N2	1SCA104900R1001	Non-fusible disconnect switch	30
OT25M3	1SCA022497R0310	Switch-disconnector	21
OT25M4	1SCA022497R0650	Switch-disconnector	21
OT30F3	1SCA105068R1001	Non-fusible disconnect switch	30
OT30F4N2	1SCA108347R1001	Non-fusible disconnect switch	30
OT315E03K	1SCA022763R5630	Switch-disconnector	27
OT315E03P	1SCA022718R8510	Switch-disconnector	24
OT315E03WP	1SCA022809R8650	Switch-disconnector	28
OT315E04K	1SCA022763R5710	Switch-disconnector	27
OT315E04P	1SCA022719R1730	Switch-disconnector	24
OT315E04WP	1SCA022809R8900	Switch-disconnector	28
OT315E12P	1SCA022727R4190	Switch-disconnector	24
OT315E12WP	1SCA022809R9380	Switch-disconnector	28
OT315E22P	1SCA022727R4270	Switch-disconnector	24
OT315E22WP	1SCA022810R0900	Switch-disconnector	28
OT315ES03	1SCA022860R1270	Side operated switch-disconnector	33
OT315ES03K	1SCA022860R1350	Side operated switch-disconnector	33
OT315ES04	1SCA022860R1510	Side operated switch-disconnector	33
OT315ES04K	1SCA022860R1600	Side operated switch-disconnector	33
OT3200E02	1SCA128579R1001	Switch-disconnector	26
OT3200E02P	1SCA128581R1001	Switch-disconnector	26
OT3200E03	1SCA128480R1001	Switch-disconnector	26
OT3200E03P	1SCA128481R1001	Switch-disconnector	26
OT3200E04	1SCA128479R1001	Switch-disconnector	26
OT3200E04P	1SCA128482R1001	Switch-disconnector	26
OT4000E02	1SCA128596R1001	Switch-disconnector	26
OT4000E02P	1SCA128595R1001	Switch-disconnector	26
OT4000E03	1SCA124847R1001	Switch-disconnector	26
OT4000E03P	1SCA124848R1001	Switch-disconnector	26
OT4000E04	1SCA124855R1001	Switch-disconnector	26
OT4000E04P	1SCA124856R1001	Switch-disconnector	26
OT400E03K	1SCA022763R5390	Switch-disconnector	27
OT400E03P	1SCA022718R8780	Switch-disconnector	24
OT400E03WP	1SCA022809R8310	Switch-disconnector	28
OT400E04K	1SCA022763R5550	Switch-disconnector	27
OT400E04P	1SCA022719R1810	Switch-disconnector	24
OT400E04WP	1SCA022809R8810	Switch-disconnector	28
OT400E12P	1SCA022727R5750	Switch-disconnector	24

Type	Order number	Description	Page
OT400E12WP	1SCA022809R9200	Switch-disconnector	28
OT400E22P	1SCA022727R5830	Switch-disconnector	24
OT400E22WP	1SCA022810R0570	Switch-disconnector	28
OT400ES03	1SCA022860R1780	Side operated switch-disconnector	33
OT400ES03K	1SCA022860R1860	Side operated switch-disconnector	33
OT400ES04	1SCA022860R1940	Side operated switch-disconnector	33
OT400ES04K	1SCA022860R2080	Side operated switch-disconnector	33
OT400U03	1SCA022747R6490	Non-fusible disconnect switch	32
OT400U04	1SCA022748R1060	Non-fusible disconnect switch	32
OT400U12	1SCA022754R6450	Non-fusible disconnect switch	32
OT400U22	1SCA022762R7110	Non-fusible disconnect switch	32
OT40F3	1SCA104902R1001	Switch-disconnector	21
OT40F3	1SCA104902R1001	Non-fusible disconnect switch	30
OT40F4N2	1SCA104932R1001	Switch-disconnector	21
OT40F4N2	1SCA104932R1001	Non-fusible disconnect switch	30
OT40F6	1SCA104936R1001	Switch-disconnector	22
OT40F6	1SCA104936R1001	Non-fusible disconnect switch	31
OT40F8	1SCA104938R1001	Switch-disconnector	22
OT40F8	1SCA104938R1001	Non-fusible disconnect switch	31
OT40FT3	1SCA104940R1001	Switch-disconnector	23
OT40FT3	1SCA104940R1001	Non-fusible disconnect switch	30
OT40FT4N2	1SCA104956R1001	Switch-disconnector	23
OT40FT4N2	1SCA104956R1001	Non-fusible disconnect switch	30
OT40M3	1SCA022497R0490	Switch-disconnector	21
OT40M4	1SCA022497R0570	Switch-disconnector	21
OT600U03	1SCA022798R0730	Non-fusible disconnect switch	32
OT600U04	1SCA022800R1750	Non-fusible disconnect switch	32
OT600U12	1SCA022800R1830	Non-fusible disconnect switch	32
OT600U22	1SCA022800R2130	Non-fusible disconnect switch	32
OT60F3	1SCA105076R1001	Non-fusible disconnect switch	30
OT60F4N2	1SCA108348R1001	Non-fusible disconnect switch	30
OT630E03K	1SCA022779R4940	Switch-disconnector	27
OT630E03N3P	1SCA022779R4860	Switch-disconnector	24
OT630E03P	1SCA022718R8940	Switch-disconnector	24
OT630E04K	1SCA022779R5080	Switch-disconnector	27
OT630E04P	1SCA022719R2030	Switch-disconnector	24
OT630E12P	1SCA022753R4790	Switch-disconnector	24
OT630E22P	1SCA022753R4870	Switch-disconnector	24
OT630ES03	1SCA022860R2240	Side operated switch-disconnector	33
OT630ES03K	1SCA022860R2320	Side operated switch-disconnector	33
OT630ES04	1SCA022860R2410	Side operated switch-disconnector	33
OT630ES04K	1SCA022860R2590	Side operated switch-disconnector	33
OT63F3	1SCA105332R1001	Switch-disconnector	21
OT63F3	1SCA105332R1001	Non-fusible disconnect switch	30
OT63F4N2	1SCA105365R1001	Switch-disconnector	21
OT63F4N2	1SCA105365R1001	Non-fusible disconnect switch	30
OT63F6	1SCA105379R1001	Switch-disconnector	22
OT63F6	1SCA105379R1001	Non-fusible disconnect switch	31
OT63F8	1SCA105381R1001	Switch-disconnector	22
OT63F8	1SCA105381R1001	Non-fusible disconnect switch	31
OT63FT3	1SCA105382R1001	Switch-disconnector	23
OT63FT3	1SCA105382R1001	Non-fusible disconnect switch	30
OT63FT4N2	1SCA105393R1001	Switch-disconnector	23
OT63FT4N2	1SCA105393R1001	Non-fusible disconnect switch	30
OT63ML3	1SCA022530R5770	Switch-disconnector	21
OT63ML4	1SCA022530R6400	Switch-disconnector	21
OT800E03K	1SCA022779R5160	Switch-disconnector	27
OT800E03N3P	1SCA022779R4780	Switch-disconnector	24

Type	Order number	Description	Page
OT800E03P	1SCA022718R9410	Switch-disconnector	24
OT800E04K	1SCA022779R5240	Switch-disconnector	27
OT800E04P	1SCA022719R2110	Switch-disconnector	24
OT800E12P	1SCA022753R5170	Switch-disconnector	24
OT800E22P	1SCA022753R5250	Switch-disconnector	24
OT800ES03	1SCA022860R2670	Side operated switch-disconnector	33
OT800ES03K	1SCA022860R2750	Side operated switch-disconnector	33
OT800ES04	1SCA022860R2830	Side operated switch-disconnector	33
OT800ES04K	1SCA022860R2910	Side operated switch-disconnector	33
OT800U03	1SCA105635R1001	Non-fusible disconnect switch	32
OT800U04	1SCA105636R1001	Non-fusible disconnect switch	32
OT800U12	1SCA105637R1001	Non-fusible disconnect switch	32
OT800U22	1SCA105639R1001	Non-fusible disconnect switch	32
OT80F3	1SCA105798R1001	Switch-disconnector	21
OT80F3	1SCA105798R1001	Non-fusible disconnect switch	30
OT80F4N2	1SCA105413R1001	Switch-disconnector	21
OT80F4N2	1SCA105413R1001	Non-fusible disconnect switch	30
OT80F6	1SCA105427R1001	Switch-disconnector	22
OT80F6	1SCA105427R1001	Non-fusible disconnect switch	31
OT80F8	1SCA105429R1001	Switch-disconnector	22
OT80F8	1SCA105429R1001	Non-fusible disconnect switch	31
OT80FT3	1SCA105431R1001	Switch-disconnector	23
OT80FT3	1SCA105431R1001	Non-fusible disconnect switch	30
OT80FT4N2	1SCA105499R1001	Switch-disconnector	23
OT80FT4N2	1SCA105499R1001	Non-fusible disconnect switch	30
OTB1600/6	1SCA100768R1001	Phase separator	64
OTB800/6	1SCA022821R7760	Phase separator	64
OTM1000E2M230V	1SCA121396R1001	Motorized switch-disconnector	37
OTM1000E3M230C	1SCA115364R1001	Motorized switch-disconnector	37
OTM1000E4M230C	1SCA115368R1001	Motorized switch-disconnector	37
OTM100F3M230V	1SCA122969R1001	Motorized switch-disconnector	36
OTM100F4M230V	1SCA122974R1001	Motorized switch-disconnector	36
OTM1250E2M230V	1SCA121193R1001	Motorized switch-disconnector	37
OTM1250E3M230C	1SCA115365R1001	Motorized switch-disconnector	37
OTM1250E4M230C	1SCA115367R1001	Motorized switch-disconnector	37
OTM125F3M230V	1SCA122968R1001	Motorized switch-disconnector	36
OTM125F4M230V	1SCA122973R1001	Motorized switch-disconnector	36
OTM1600E3M230C	1SCA115366R1001	Motorized switch-disconnector	37
OTM1600E4M230C	1SCA115369R1001	Motorized switch-disconnector	37
OTM160E2M230V	1SCA121183R1001	Motorized switch-disconnector	37
OTM160E2WM230V	1SCA121186R1001	Motorized switch-disconnector	38
OTM160E3M230C	1SCA115283R1001	Motorized switch-disconnector	37
OTM160E3WM230C	1SCA115286R1001	Motorized switch-disconnector	38
OTM160E4M230C	1SCA115293R1001	Motorized switch-disconnector	37
OTM160E4WM230C	1SCA115295R1001	Motorized switch-disconnector	38
OTM2000E2M230V	1SCA121201R1001	Motorized switch-disconnector	37
OTM2000E3M230C	1SCA115372R1001	Motorized switch-disconnector	37
OTM2000E4M230C	1SCA115374R1001	Motorized switch-disconnector	37
OTM200E2M230V	1SCA121184R1001	Motorized switch-disconnector	37
OTM200E2WM230V	1SCA121187R1001	Motorized switch-disconnector	38
OTM200E3M230C	1SCA115284R1001	Motorized switch-disconnector	37
OTM200E3WM230C	1SCA115288R1001	Motorized switch-disconnector	38
OTM200E4M230C	1SCA115292R1001	Motorized switch-disconnector	37
OTM200E4WM230C	1SCA115296R1001	Motorized switch-disconnector	38
OTM2500E2M230V	1SCA121195R1001	Motorized switch-disconnector	37
OTM2500E3M230C	1SCA115373R1001	Motorized switch-disconnector	37
OTM2500E4M230C	1SCA115375R1001	Motorized switch-disconnector	37
OTM250E2M230V	1SCA121185R1001	Motorized switch-disconnector	37

Type	Order number	Description	Page
OTM250E2WM230V	1SCA121188R1001	Motorized switch-disconnector	38
OTM250E3M230C	1SCA115285R1001	Motorized switch-disconnector	37
OTM250E3WM230C	1SCA115289R1001	Motorized switch-disconnector	38
OTM250E4M230C	1SCA115290R1001	Motorized switch-disconnector	37
OTM250E4WM230C	1SCA115297R1001	Motorized switch-disconnector	38
OTM315E2M230V	1SCA121189R1001	Motorized switch-disconnector	37
OTM315E3M230C	1SCA115334R1001	Motorized switch-disconnector	37
OTM315E4M230C	1SCA115335R1001	Motorized switch-disconnector	37
OTM400E2M230V	1SCA121199R1001	Motorized switch-disconnector	37
OTM400E3M230C	1SCA115333R1001	Motorized switch-disconnector	37
OTM400E4M230C	1SCA115336R1001	Motorized switch-disconnector	37
OTM40F3M230V	1SCA122972R1001	Motorized switch-disconnector	36
OTM40F4M230V	1SCA122977R1001	Motorized switch-disconnector	36
OTM630E2M230V	1SCA121190R1001	Motorized switch-disconnector	37
OTM630E3M230C	1SCA115354R1001	Motorized switch-disconnector	37
OTM630E4M230C	1SCA115357R1001	Motorized switch-disconnector	37
OTM63F3M230V	1SCA122971R1001	Motorized switch-disconnector	36
OTM63F4M230V	1SCA122976R1001	Motorized switch-disconnector	36
OTM800E2M230V	1SCA121197R1001	Motorized switch-disconnector	37
OTM800E3M230C	1SCA115355R1001	Motorized switch-disconnector	37
OTM800E4M230C	1SCA115356R1001	Motorized switch-disconnector	37
OTM80F3M230V	1SCA122970R1001	Motorized switch-disconnector	36
OTM80F4M230V	1SCA122975R1001	Motorized switch-disconnector	36
OTPD125FP	1SCA105083R1001	Detachable neutral	61
OTPD40FP	1SCA104994R1001	Detachable neutral	61
OTPD80FD	1SCA105444R1001	Detachable neutral	61
OTPD80FP	1SCA105445R1001	Detachable neutral	61
OTPE125FD	1SCA105698R1001	Protective earth	61
OTPE125FP	1SCA105128R1001	Protective earth	61
OTPE125FP	1SCA105090R1001	Protective earth	61
OTPE40FD	1SCA109884R1001	Protective earth	61
OTPE40FP	1SCA104995R1001	Protective earth	61
OTPE60FP	1SCA111016R1001	Protective earth	61
OTPE80FD	1SCA105446R1001	Protective earth	61
OTPE80FP	1SCA105448R1001	Protective earth	61
OTPL125FD	1SCA105088R1001	Fourth pole	60
OTPL125FP	1SCA105090R1001	Fourth pole	60
OTPL125FP	1SCA105090R1001	Fourth pole	60
OTPL40FD	1SCA105716R1001	Fourth pole	60
OTPL40FP	1SCA105717R1001	Fourth pole	60
OTPL60FP	1SCA111004R1001	Fourth pole	60
OTPL80FD	1SCA105451R1001	Fourth pole	60
OTPL80FP	1SCA105452R1001	Fourth pole	60
OTPN125FD	1SCA105092R1001	Fixed neutral	61
OTPN125FP	1SCA105094R1001	Fixed neutral	61
OTPN125FP	1SCA105090R1001	Fixed neutral	61
OTPN40FD	1SCA105718R1001	Fixed neutral	61
OTPN40FP	1SCA104997R1001	Fixed neutral	61
OTPN60FP	1SCA117606R1001	Fixed neutral	61
OTPN80FD	1SCA105456R1001	Fixed neutral	61
OTPN80FP	1SCA105457R1001	Fixed neutral	61
OTPS125FD	1SCA105096R1001	Fourth pole	60
OTPS125FP	1SCA105099R1001	Fourth pole	60
OTPS125FP	1SCA105099R1001	Fourth pole	60
OTPS125MP	1SCA022436R9110	Fourth pole	60
OTPS160MP	1SCA022325R7520	Fourth pole	60
OTPS40FDN1	1SCA104999R1001	Fourth pole	60
OTPS40FDN2	1SCA104998R1001	Fourth pole	60

Type	Order number	Description	Page
OTPS40FPN1	1SCA105001R1001	Fourth pole	60
OTPS40FPN2	1SCA105000R1001	Fourth pole	60
OTPS60FP	1SCA111009R1001	Fourth pole	60
OTPS63MLP	1SCA022530R6580	Fourth pole	60
OTPS80FD	1SCA105458R1001	Fourth pole	60
OTPS80FP	1SCA105461R1001	Fourth pole	60
OTS125T1	1SCA022379R9760	Terminal shroud	62
OTS125T1	1SCA022379R9760	Terminal shroud	62
OTS125T1P	1SCA022491R9970	Terminal shroud	62
OTS125T3	1SCA022379R9680	Terminal shroud	62
OTS125T3	1SCA022379R9680	Terminal shroud	62
OTS125T3P	1SCA022491R9890	Terminal shroud	62
OTS1600G1L/3	1SCA022871R9510	Terminal shroud	63
OTS1600G1L/4	1SCA022871R9780	Terminal shroud	63
OTS1600G1S/3	1SCA022871R9600	Terminal shroud	63
OTS1600G1S/4	1SCA022871R9860	Terminal shroud	63
OTS2500G1L/3	1SCA107261R1001	Terminal shroud	63
OTS2500G1L/4	1SCA107262R1001	Terminal shroud	63
OTS2500G1S/3	1SCA107260R1001	Terminal shroud	63
OTS2500G1S/4	1SCA107271R1001	Terminal shroud	63
OTS250G1L/3	1SCA022731R8150	Terminal shroud	63
OTS250G1L/4	1SCA022731R8230	Terminal shroud	63
OTS250G1S/3	1SCA022731R8310	Terminal shroud	63
OTS250G1S/4	1SCA022731R8400	Terminal shroud	63
OTS4000G1L/3	1SCA129042R1001	Terminal shroud	63
OTS4000G1L/4	1SCA129043R1001	Terminal shroud	63
OTS4000G1S/3	1SCA129044R1001	Terminal shroud	63
OTS4000G1S/4	1SCA129045R1001	Terminal shroud	63
OTS400G1L/3	1SCA022736R8840	Terminal shroud	63
OTS400G1L/4	1SCA022736R9490	Terminal shroud	63
OTS400G1S/3	1SCA022736R9060	Terminal shroud	63
OTS400G1S/4	1SCA022736R9650	Terminal shroud	63
OTS40T1	1SCA105314R1001	Terminal shroud	62
OTS40T3	1SCA105317R1001	Terminal shroud	62
OTS63T1	1SCA022353R6910	Terminal shroud	62
OTS63T3	1SCA022353R6750	Terminal shroud	62
OTS800G1L/3	1SCA022776R7890	Terminal shroud	63
OTS800G1L/4	1SCA022776R7970	Terminal shroud	63
OTS800G1S/3	1SCA022776R8190	Terminal shroud	63
OTS800G1S/4	1SCA022776R8270	Terminal shroud	63
OTV1000EK	1SCA106608R1001	Direct mounting handle	48
OTV1000EPK	1SCA121085R1001	Direct mounting handle	48
OTV250EK	1SCA022763R2700	Direct mounting handle	48
OTV400EK	1SCA022763R2960	Direct mounting handle	48
OTV800EK	1SCA022804R6340	Direct mounting handle	48
OTVS0	1SCA117524R1001	Handle and spare fuse storage clip	51
OTVS1	1SCA111413R1001	Handle and spare fuse storage clip	51
OTVS2	1SCA111414R1001	Handle and spare fuse storage clip	51
OTVY250EK	1SCA022772R7910	Direct mounting handle	48
OTVY400EK	1SCA022772R7830	Direct mounting handle	48
OTVY800EK	1SCA022810R2780	Direct mounting handle	48
OTZ1250E	1SCA103765R1001	Fourth pole	60
OTZ1600E	1SCA100431R1001	Fourth pole	60
OTZ2500E	1SCA107931R1001	Fourth pole	60
OTZ250E	1SCA022735R9420	Fourth pole	60
OTZ4000E	1SCA128807R1001	Fourth pole	60
OTZ400E	1SCA022749R1960	Fourth pole	60
OTZ800E	1SCA022807R5100	Fourth pole	60

Type	Order number	Description	Page
OTZL4	1SCA116554R1001	Mechanical interlock	70
OTZM4A	1SCA118510R1001	Electrical interlock kit	70
OTZM4L	1SCA118511R1001	Electrical interlock kit	70
OTZT1A	1SCA106522R1001	Mechanism and electrical interlock	70
OTZT1L	1SCA106527R1001	Mechanism and electrical interlock	70
OTZT2A	1SCA106523R1001	Mechanism and electrical interlock	70
OTZT2L	1SCA106529R1001	Mechanism and electrical interlock	70
OTZT3A	1SCA106525R1001	Mechanism and electrical interlock	70
OTZT3L	1SCA106530R1001	Mechanism and electrical interlock	70
OTZT4A	1SCA106526R1001	Mechanism and electrical interlock	70
OTZT4L	1SCA106531R1001	Mechanism and electrical interlock	70
OTZW10	1SCA022431R5280	Mechanical interlock mechanism	68
OTZW17	1SCA022387R1620	By-pass switch mechanism	68
OTZW24	1SCA022639R5610	Mechanical interlock mechanism	68
OTZW25	1SCA022778R6920	Change-over switch mechanism	68
OTZW26	1SCA022778R7060	By-pass switch mechanism	68
OTZW8	1SCA022421R7600	6 and 8-pole switch mechanism	68
OTZW8	1SCA022421R7600	6 and 8-pole switch mechanism	68
OTZW8	1SCA022421R7600	6 and 8-pole switch mechanism	68
OWC6D125	1SCA104494R1001	Change-over switch mechanism	68
OWC6D40	1SCA022865R4550	Change-over switch mechanism	68
OWC6D80	1SCA022865R4630	Change-over switch mechanism	68
OWP6D125	1SCA022865R5100	6 and 8-pole switch mechanism	68
OWP6D40	1SCA022865R4800	6 and 8-pole switch mechanism	68
OWP6D80	1SCA022865R5010	6 and 8-pole switch mechanism	68
OX6X105	1SCA111930R1001	Shaft	52
OX6X115	1SCA111931R1001	Shaft	52
OX6X130	1SCA111460R1001	Shaft	52
OX6X155	1SCA111275R1001	Shaft	52
OX6X200	1SCA111932R1001	Shaft	52
OX6X300	1SCA111933R1001	Shaft	52
OX6X60	1SCA111459R1001	Shaft	52
OX6X85	1SCA111274R1001	Shaft	52
OXN1250T	1SCA104162R1001	Neutral link	61
OXN250	1SCA022752R9950	Neutral link	61
OXN400	1SCA022770R3060	Neutral link	61
OXN800T	1SCA022829R0840	Neutral link	61
OXP12X166	1SCA022325R7100	Shaft	53
OXP12X185	1SCA022325R6710	Shaft	53
OXP12X250	1SCA022325R6980	Shaft	53
OXP12X250-45	1SCA022293R9400	Shaft	54
OXP12X280	1SCA022137R5140	Shaft	53
OXP12X280-45	1SCA022382R0800	Shaft	54
OXP12X325	1SCA022042R5810	Shaft	53
OXP12X325-45	1SCA022304R4450	Shaft	54
OXP12X395	1SCA022042R5990	Shaft	53
OXP12X395-45	1SCA022749R0640	Shaft	54
OXP12X465	1SCA022042R6020	Shaft	53
OXP12X465-45	1SCA022423R1770	Shaft	54
OXP12X535	1SCA022042R6110	Shaft	53
OXP12X535-45	1SCA022723R2940	Shaft	54
OXP6X130	1SCA022057R0570	Shaft	52
OXP6X130-45	1SCA022355R9110	Shaft	54
OXP6X150	1SCA022295R5600	Shaft	52
OXP6X150-45	1SCA022294R4400	Shaft	54
OXP6X161	1SCA022067R1760	Shaft	52
OXP6X170	1SCA108224R1001	Shaft	52
OXP6X170-45	1SCA108227R1001	Shaft	54

Type	Order number	Description	Page
OXPX210	1SCA022295R6080	Shaft	52
OXPX210-45	1SCA022294R4230	Shaft	54
OXPX265	1SCA108225R1001	Shaft	52
OXPX265-45	1SCA108228R1001	Shaft	54
OXPX290	1SCA022042R6370	Shaft	52
OXPX290-45	1SCA022304R4290	Shaft	54
OXPX400	1SCA108226R1001	Shaft	52
OXPX400-45	1SCA108229R1001	Shaft	54
OXS6X105	1SCA108043R1001	Shaft	52
OXS6X120	1SCA101654R1001	Shaft	52
OXS6X130	1SCA101655R1001	Shaft	52
OXS6X160	1SCA101656R1001	Shaft	52
OXS6X180	1SCA101659R1001	Shaft	52
OXS6X250	1SCA101660R1001	Shaft	52
OXS6X330	1SCA101661R1001	Shaft	52
OXS6X85	1SCA101647R1001	Shaft	52
OXT20X210X	1SCA103684R1001	Shaft support for long shaft	55
OZ331P67B	1SCA111427R1001	Round padlockable handle	45
OZ331P67RY	1SCA111429R1001	Round padlockable handle	45
OZ331SPB	1SCA112983R1001	Round padlockable handle	45
OZ331SPRY	1SCA113097R1001	Round padlockable handle	45
OZ371PB	1SCA111684R1001	Round padlockable handle	45
OZ371PRY	1SCA111685R1001	Round padlockable handle	45
OZG71	1SCA111686R1001	Shaft alignment ring	55
OZXB1L	1SCA022169R2030	Terminal clamp	65
OZXB1L/1	1SCA022194R0030	Terminal clamp	65
OZXB2	1SCA022119R7610	Terminal clamp	65
OZXB2/1	1SCA022194R0200	Terminal clamp	65
OZXB2K	1SCA022264R0010	Terminal shroud for terminal clamp	63
OZXB2L	1SCA022158R7750	Terminal clamp	65
OZXB2L/1	1SCA022194R0460	Terminal clamp	65
OZXB3	1SCA022136R8100	Terminal clamp	65
OZXB3	1SCA022136R8100	Terminal clamp	66
OZXB3/1	1SCA022194R0620	Terminal clamp	65
OZXB3/1	1SCA022194R0620	Terminal clamp	66
OZXB3K	1SCA022264R0440	Terminal shroud for terminal clamp	63
OZXB4	1SCA022137R4760	Terminal clamp	65
OZXB4	1SCA022137R4760	Terminal clamp	66
OZXB4/1	1SCA022194R0890	Terminal clamp	65
OZXB4/1	1SCA022194R0890	Terminal clamp	66
OZXB4K	1SCA022199R2850	Terminal shroud for terminal clamp	63
OZXB5	1SCA022137R2470	Terminal clamp	65
OZXB5	1SCA022137R2470	Terminal clamp	66
OZXB5/1	1SCA022194R1010	Terminal clamp	65
OZXB5/1	1SCA022194R1010	Terminal clamp	66
OZXB5K	1SCA022283R8040	Terminal shroud for terminal clamp	63
OZXB6	1SCA022137R4920	Terminal clamp	65
OZXB6	1SCA022137R4920	Terminal clamp	66
OZXB6/1	1SCA022194R1270	Terminal clamp	65
OZXB6/1	1SCA022194R1270	Terminal clamp	66
OZXB7	1SCA022185R0040	Terminal clamp	65
OZXB7/1	1SCA022194R1430	Terminal clamp	65
OZXB7L	1SCA022185R7130	Terminal clamp	65
OZXB7L	1SCA022185R7130	Terminal clamp	66
OZXB7L/1	1SCA022194R1600	Terminal clamp	65
OZXB7L/1	1SCA022194R1600	Terminal clamp	66
OZXB8	1SCA022744R1510	Terminal clamp	65
OZXB8/1	1SCA022744R1600	Terminal clamp	65

Type	Order number	Description	Page
OZXB9	1SCA022750R3210	Terminal clamp	65
OZXB9/1	1SCA022750R3300	Terminal clamp	65
OZXL1	1SCA022439R6770	Terminal clamp	65
OZXL1/1	1SCA022469R6220	Terminal clamp	65
OZXM2/1	1SCA101164R1001	Terminal clamp	67
OZXP120	1SCA115540R1001	Terminal clamp	67
OZXP150	1SCA115541R1001	Terminal clamp	67
OZXP240	1SCA115542R1001	Terminal clamp	66
OZXP2X240	1SCA115544R1001	Terminal clamp	66
OZXP300	1SCA115543R1001	Terminal clamp	67
OZXP95	1SCA115539R1001	Terminal clamp	66
OZXR185	1SCA115531R1001	Terminal clamp	66
OZXR240	1SCA115532R1001	Terminal clamp	66
OZXR2X185	1SCA115534R1001	Terminal clamp	66
OZXR2X300	1SCA115535R1001	Terminal clamp	66
OZXR300	1SCA115533R1001	Terminal clamp	66
OZXR70	1SCA115529R1001	Terminal clamp	67
OZXR95	1SCA115530R1001	Terminal clamp	66
OZXT1	1SCA022469R6310	Terminal clamp	65
OZXT2	1SCA022620R7200	Terminal clamp	65
OZXT3	1SCA022639R0720	Terminal clamp	65
OZXT4	1SCA022703R4630	Terminal clamp	65
OZXT6	1SCA122537R1001	Terminal clamp	67
PB100 low	1SDA054970R1	Phase barrier	64
PB100 low	1SDA054971R1	Phase barrier	64
PB100 low	1SDA054970R1	Phase barrier	64
PB100 low	1SDA054971R1	Phase barrier	64
PB100 low	1SDA054970R1	Phase barrier	64
PB100 low	1SDA054971R1	Phase barrier	64
PB100 low	1SDA054972R1	Phase barrier	64
PB100 low	1SDA054973R1	Phase barrier	64
PB100 low	1SDA054972R1	Phase barrier	64
PB100 low	1SDA054973R1	Phase barrier	64
PB100 low	1SDA054972R1	Phase barrier	64
PB100 low	1SDA054973R1	Phase barrier	64
PDAL2/110AC50Hz	1SCA106543R1001	Coil	71
PDAL2/110AC60Hz	1SCA107100R1001	Coil	71
PDAL2/110DC	1SCA107105R1001	Coil	71
PDAL2/120AC60Hz	1SCA111353R1001	Coil	71
PDAL2/125DC	1SCA111338R1001	Coil	71
PDAL2/208AC60Hz	1SCA107101R1001	Coil	71
PDAL2/220DC	1SCA112503R1001	Coil	71
PDAL2/230AC50Hz	1SCA107102R1001	Coil	71
PDAL2/240AC60Hz	1SCA111356R1001	Coil	71
PDAL2/24AC60Hz	1SCA111350R1001	Coil	71
PDAL2/24DC	1SCA106542R1001	Coil	71
PDAL2/48DC	1SCA107103R1001	Coil	71
PDAL2/60DC	1SCA107104R1001	Coil	71
SA1	GJF1 101 903 R000	Padlocking adapter	64
ST	1SCA022407R8210	Label carrier	51
ST-E	1SCA022407R8300	Description label	51
YASDA35	1SCA104400R1001	Metallic handle	48

For your notes

A series of horizontal dotted lines for taking notes.

Contact us

ABB Oy

Breakers and Switches

P.O. Box 622

FI-65101 Vaasa, Finland

Phone: +358 10 22 11

Fax: +358 10 22 45708

E-Mail: firstname.surname@fi.abb.com

www.abb.com

You can find the address of your local sales organisation on the ABB homepage:

www.abb.com/contacts

> Low Voltage Products and Systems

Note: We reserve the right to make technical changes or modify the contents of this document without prior notice. With regard to purchase orders, the agreed particulars shall prevail. ABB AG does not accept any responsibility whatsoever for potential errors or possible lack of information in this document.

We reserve all rights in this document and in the subject matter and illustrations contained therein. Any reproduction, disclosure to third parties or utilization of its contents – in whole or in parts – is forbidden without prior written consent of ABB AG.

Copyright © 2014 ABB

All rights reserved