

---

CATALOG

# Safety switches and enclosed switch-disconnectors

Safe and dependable performance



- **Reliable in extreme conditions**
- **Safety and Protection**
- **Speed up your project**





# Table of contents

**OVERVIEW**  
004–005

**SAFETY SWITCHES**  
006–077

**ENCLOSED SWITCH-  
DISCONNECTORS**  
078–135

**ACCESSORIES**  
136–161

**DIMENSION DRAWINGS**  
162–187

**INDEX**  
188–199

# Safety switches and enclosed switch-disconnectors

## Safe and dependable performance



### Reliable in extreme conditions

All our enclosed safety switches are built to last and resist the wear of harsh operating conditions. The enclosures are made of high-quality, UV-resistant materials and the degree of protection is IP65. All switches are suitable for use both indoors and outdoors.



### Safety and protection

Our design is based on ensuring safety and preventing electrical accidents. To make maintenance and installation as safe as possible, we have included features such as padlockable handles, cover interlocks and gas pressure relief functions to our products.



### Speed up your project

We can help speed up your project by making the selection of the right switch as quick and easy as possible. Our web-based selection tool, e-Configure, enables you to select the best switch for your particular application in the easiest way possible.

# Safety switches and enclosed switch-disconnectors

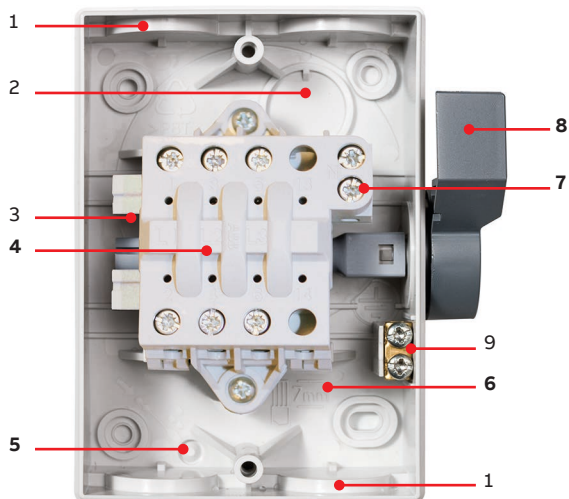
## Overview

### Side operated, type BW\_, LBAS\_, KSF\_, KSE\_

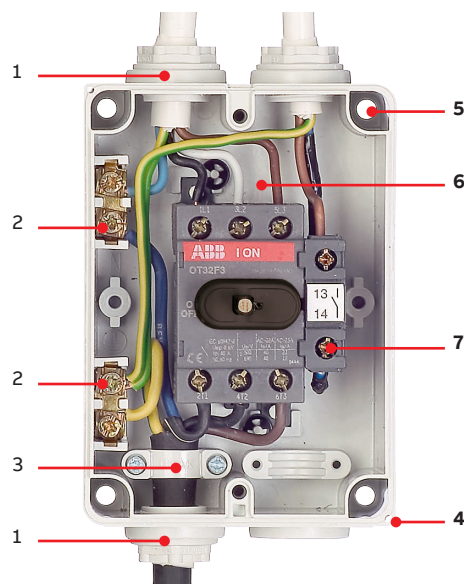
- Degree of protection: IP65, IEC 60529
- Degree of protection without cover: IP20
- Enclosure in PBT (Thermoplastic polyester) plastic, high impact strength and chemical resistant
- Flame class UL94 5VA, Glow wire 850 ° (IEC 60695-2-12)
- Resistance against UV-radiation: F 1, UL 746C
- Standard IEC 60947-3 for Switch-disconnectors
- European Standard EN60204 Safety of machinery
- Cable outlets M sized threaded knock-outs
- 2-, 3-, 4- and 6-pole versions
- Light grey/dark grey enclosure with grey handle
- Yellow enclosure have red handle
- Handle indication I-0/ON-OFF
- Suitable for 3-, 4- and 5-wire systems

### Front operated, type OTP

- Degree of protection: IP65, IEC 60529
- Degree of protection without cover: IP20, IEC 60529
- Self-extinguishing plastic: UL94 V0
- Resistance against UV-radiation: F 1, UL 746C
- Standard IEC 60947-3 for Switch-disconnectors
- European Standard EN60204 Safety of machinery
- Cable outlets M or Pg sized threaded knock-outs
- Also blank gland plates available
- 3-, 4- and 6-pole versions
- Black or red-yellow handle
- Handle indication I-0/ON-OFF
- Suitable for 4- and 5-wire systems



1 Metric threaded knockouts, IP54 cable glands sealing plugs included | 2 Knockout in the back of the box | 3 Space for auxiliary contacts, (N.O./N.C.) | 4 Handle, axis and switch insert is one system factory assembled. Switch insert UL94 V0 and glow wire 960 ° (IEC 60965-2-12) | 5 Knockout for ventilation / Water drain holes | 6 Cable strip length | 7 Isolated neutral terminal with separate in/out connection | 8 Handle padlockable in "O" position as standard. Knockout for padlock in "I" position. Shackle for 6 padlocks | 9 PE-terminal



1 Knock-out openings for M threads on the top and bottom, separate threaded knock-out opening for control wires in enclosure sizes wider 130 mm and larger | 2 Terminals for 5-wire system: three phases + N + PE terminals | 3 Pull stoppers for two cables in 16 A enclosed switches | 4 Provision for sealing of the lid | 5 Enclosure mounting screws isolated from the inside housing | 6 Knock-out opening on the base for incoming cables | 7 Space for auxiliary contacts, (N.O./N.C.) (to be ordered separately)



---

# Enclosed safety switches

## Table of contents

<b>08–09</b>	<b>Overview</b>
<b>10–17</b>	<b>Technical data</b>
<b>18–77</b>	<b>Ordering Information</b>

---

# Enclosed safety switches

## Safe and dependable performance

Enclosed safety switches are designed to be used near motors or machines, to isolate them from the main circuit. Our enclosed safety switches support you in creating a safe working environment, reducing the risk of electrical and mechanical accidents, especially during maintenance and repair work.



We offer the widest portfolio of IEC standard switches (from 16 to 1200 A) in both side and front operated, with a range of pole and cable configurations. We also offer a full range of enclosure materials, including plastic, aluminum, steel sheet and acid-proof stainless steel to ensure you find the right safety switches for your application and operating environment.



# Enclosed safety switches

## For demanding operating conditions

Every aspect of our enclosed safety switches is designed for safety and dependable performance, even in demanding operating conditions. This helps ensure that machinery can't be accidentally started while maintenance is in progress.

### **Tried and tested performance**

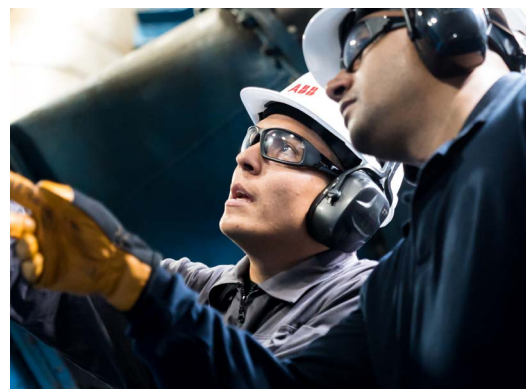
To ensure maximum safety, it is always good practice to use a separate switch for normal start and stop and to use the safety switch only during repair and maintenance. ABB's range includes side and front operated safety switches from 16 to 1200 Amperes, with power ratings from 7.5 to 1200 kW up to 690 V. The ratings correspond to utilization category AC-23A.

Enclosures are available in plastic, aluminum, steel sheet, stainless steel sheet and acid-proof material. The appropriate material can be selected according to preference or application. All our safety switches have been tested according to IEC 60947-3 standard. After rigorous testing, our safety switches have proven to maintain a high degree of safety.

Our safety switches are delivered with an auxiliary contact that can be used for electrical interlocking. This is done by connecting the safety switch to a starter or other motor control devices. For easy identification, each safety switch has a sticker label. For the most extreme operational conditions, corrosion-resistant gold plated auxiliary contacts are available upon request.

### **Ensured EMC safety**

ABB's design also takes into consideration the need for reliable performance in environments with electromagnetic disturbances (EMC), with full compliance with IEC 61000-6-3/4 or EN 55011, according to EU directive 2004/108/EC. Electromagnetic compatibility (EMC) refers to the ability of a device to function despite electromagnetic disturbances in the environment without electromagnetically disturbing other devices in its surroundings. This is important in environments where the disturbance from frequency converters may rise up to tens, or even hundreds of MHz.





## Aluminum enclosed safety switches

### Overview

#### Aluminum

IP65  
Black handle types



Industrial safety switches	LBAS_		OTA				LBAS_			OTA						
	16	25	16	25	40	63	45	75	90	125	160	200	250	315	400	600
Switch size	16	25	16	25	40	63	45	75	90	125	160	200	250	315	400	600
Max. motor output 690 V / AC23A 3-pole kW	7.5	11	7.5	15	22	30	15	18.5	45	55	75	110	132	160	220	315
Max. motor output 690 V / AC23A 4-pole kW	7.5	11	7.5	15	22	30	15	18.5	45							
Max. motor output 690 V / AC23A 6-pole kW								18.5								
EMC safety switches	16	25														
Max. motor output 690 V / AC23A 3-pole kW	7.5	11	7.5	15	22	30	15	18.5	45	55	75	110	132	160	220	315



## Steel enclosed safety switches

### Overview

#### Steel sheet

IP65  
Black / red-yellow handle types



Industrial safety switches, IP65				OTL_				OTL_	
Switch size				16	25	36	63	75	90
Max. motor output 690 V / AC23A	3-pole	kW		7.5	15	15	30	37	45
Max. motor output 690 V / AC23A	4-pole	kW		7.5	15	15	30	37	45
Max. motor output 690 V / AC23A	6-pole	kW		7.5	15	15		37	45
EMC safety switches, IP65				OT_					
Switch size				16	25	36	30		
Max. motor output 690 V / AC23A	3-pole	kW		7.5	15	15	30	37	45
Max. motor output 690 V / AC23A	6-pole	kW		7.5	15	15	30	37	45



Industrial safety switches, IP65				OT_										
Switch size				90	125	160	200	250	315	400	630	800	1000	1250
Max. motor output 690 V / AC23A	3-pole	kW		75	110	144	160	200	250	355	560	710	1000	1200
Max. motor output 690 V / AC23A	4-pole	kW		75	110	144	160	200	250	355	560	710		
Max. motor output 690 V / AC23A	6-pole	kW		75	110	144	160	200	250	355	560	710	800	
EMC safety switches, IP65				OT_										
Switch size				90	125	160	200	250	315	400	630	800	1000	1250
Max. motor output 690 V / AC23A	3-pole	kW		75	110	144	160	200	250	355	560	710	1000	1200
Max. motor output 690 V / AC23A	6-pole	kW		75	110	144	160	200	250	355	560	710	800	

## Stainless steel enclosed safety switches

### Overview

#### Stainless steel sheet

IP65  
 Black / red-yellow handle types in  
 OTR- types Stainless steel handle in  
 OT-types



Industrial safety switches, IP65			OTR_				OTR_		OT_								
Switch size			16	25	36	63	75	90	160	200	250	315	400	630	800	1000	1200
Max. motor output 690 V / AC23A	3-pole	kW	7.5	15	15	30	37	75	144	160	200	250	355	560	710	1000	1200
Max. motor output 690 V / AC23A	4-pole	kW	7.5	15	15	30	37	75									
Max. motor output 690 V / AC23A	6-pole	kW	7.5	15	15		37	75	144	160	200	250	355	560	710		



## Technical data

### Safety switches

#### Safety switches type OT\_

Data according to IEC 60947-3	Switch size		16	25	36	40	63	75	90	90	125	160
Plastic enclosed	Switch type		OTP/OTE	OTP/OTE	OTP/OTE		OTP	OTP/OTE	OTP/OTE	OT_G	OT_G	OT
Steel sheet enclosed			OTL	OTL	OTL		OTL	OTL	OTL			OT
Stainless steel sheet enclosed			OTR	OTR	OTR		OTR	OTR	OTR			OT_EV_
Aluminium enclosed			OTA	OTA		OTA	OTA				OTA	OTA
Rated Insulation voltage		V	750	750	750	750	750	750	750	1000	1000	1000
Rated thermal current	40°C	A	40	63	80	80	115	115	125	90	125	160
	60°C	A	32	50	63	63	80	80	100	90	125	160
Rated operational power, AC-23A	230V	kW/A	5.5/23	7.5/30	11/45	11/45	18.5/63	22/80	22/90	22/90	37/125	48/160
	400V	kW/A	7.5/16	15/30	22/45	22/45	30/63	37/80	45/90	45/90	55/125	80/160
	500V	kW/A	7.5/16	15/30	22/45	22/45	30/50	37/60	45/70	55/90	75/125	112/160
	690V	kW/A	7.5/10	15/20	15/20	15/20	30/35	37/40	45/50	75/90	110/125	144/160
Rated conditional short-circuit current r.m.s and corresponding cut-off current of the fuse in single-phase test according to IEC60269	50kA, 400V <sup>1)</sup>	kA	6.5	13	13	13	16.5	16.5	16.5	24	24	24
	Fuse size:	gG/aM	40/32	100/80	100/80	100/80	125/125	125/125	125/125	200/200	200/250	355/315
	50kA, 690V <sup>1)</sup>	kA	4	11	11	11	10	10	10	24	24	35
	Fuse size:	gG/aM	25/16	80/63	80/63	80/63	63/63	63/63	63/63	200/200	200/200	355/315
Used switch type			OT40_	OT63_	OT63_	OT63_	OT100_	OT100_	OT125F_	OT160G_	OT160G_	OT160EV_
Cable size		mm <sup>2</sup>	0.75...10	1.5...35	1.5...35	1.5...35	10...70	10...70	10...70	10...70	10...70	
Terminal bolt size		mm										M8x25

#### Safety switches type OT\_

Data according to IEC 60947-3	Switch size		200	250	315	400	600	630	800	1000	1250
Plastic enclosed	Switch type		OT	OT	OT	OT		OT	OT	OT	OT
Steel sheet enclosed			OT	OT	OT	OT		OT	OT	OT	OT
Stainless steel sheet enclosed			OT	OT	OT	OT		OT	OT	OT	OT
Aluminium enclosed			OTA	OTA	OTA	OTA	OTA				
Rated Insulation voltage		V	1000	1000	1000	1000	1000	1000	1000	1000	1000
Rated thermal current	40°C	A	200	250	315	400	600	570	720	1000	1250
	60°C	A	200	200	315	320	480	460	580		
Rated operational power, AC-23A	230V	kW/A	55/200	75/250	90/315	110/400	147/480	180/570	200/720	315/1000	400/1250
	400V	kW/A	110/200	132/250	160/315	220/400	315/540	315/570	400/720	560/1000	710/1250
	500V	kW/A	132/200	160/250	200/315	280/400	552/560	400/570	500/720	710/1000	900/1250
	690V	kW/A	160/200	200/250	250/315	355/400	551/560	560/570	710/720	1000/1000	1200/1250
Rated conditional short-circuit current r.m.s and corresponding cut-off current of the fuse in single-phase test according to IEC60269	50kA, 400V <sup>1)</sup>	kA	35	35	50.5	50.5	71.5	71.5	71.5	75	
	Fuse size:	gG/aM	355/315	355/315	500/500	500/500	800/1000	800/1000	800/1000	1000/1000	
	50kA, 690V <sup>1)</sup>	kA	35	35	50.5	50.5	71.5	71.5	71.5	75	
	Fuse size:	gG/aM	355/315	355/315	500/500	500/500	800/1000	800/1000	800/1000	1000/1000	
Used switch type			OT200_	OT250_	OT315_	OT400_	OT630_	OT630_	OT800_	OT1000_	OT1250_
Cable size		mm <sup>2</sup>									
Terminal bolt size		mm	M8x25	M8x25	M10x30	M10x30	M12x40	M12x40	M12x40	M12x50	M12x50

## Technical data

### Safety switches

#### Safety switches type BWS\_ and LBAS\_

	Switch size		16	25	45	75	90
<b>Plastic enclosed</b>	<b>Switch type</b>		<b>BWS</b>	<b>BWS</b>			
<b>Aluminum enclosed</b>			<b>LBAS</b>	<b>LBAS</b>	<b>LBAS</b>	<b>LBAS</b>	<b>LBAS</b>
Rated Insulation voltage		V	690	690	750	750	750
Rated thermal current	40°C	A	32	40	63	80	125
	60°C	A			50	63	100
Rated operational power / current AC-23A	400V	kW/A	7.5/16	11/25	22/45	37/75	45/90
	500V	kW/A	7.5/16	15/25	22/45	37/58	45/70
	690V	kW/A	7.5/10	11/16	15/20	18.5/20	45/50
Conditional short circuit current		kA	25	25	50	50	50
Fuse protected short circuit making capacity	400V	kA	5	5	13	13	16.5
Max fuse	500V	kA	4.8	4.8	11	11	10
	690V	kA	4.8	4.8	11	11	10
Max fuse	400V	A	50	50	63	80	125
	500V	A	35	35	63	80	63
	690V	A	35	35	63	80	63

#### Membrane glands/sealing plugs (included in BWS/LBAS)

Type	Protection class	Cable entries size/metric threads	Included in delivery pcs	For cable diam. mm
BWS_16	IP54	M25	2	9...16
LBAS_16	IP54	M25	4	9...16
BWS616, 625	IP54	M25	3	9...16
	IP54	M16	1	6...11
BWS_25	IP54	M32	2	12...20
	IP54	M16	1	7...11
LBAS_25	IP54	M32	4	16...24
	IP54	M16	1	7...11
LBAS_45...90	IP54	M40	4	19...25
	IP54	M16	1	6...11

#### Colour codes of the enclosures / safety switches

	Colour code/cover	Colour code/box
<b>Plastic enclosures</b>		
OTP, white enclosure, installation safety switches	RAL9001	RAL9001
OTP and OT, grey enclosure	RAL 7035	RAL 7035
BWS, grey cover	RAL 7012	RAL 7035
BWS, yellow cover	RAL1021	RAL 7035
<b>Steel sheet enclosures</b>		
OTL	RAL 7035	RAL 7035
OT	NCS 1704-Y15R	NCS 1704-Y15R
<b>Aluminium enclosures</b>		
LBAS_16...90	RAL 7012	RAL 7035

<sup>1)</sup> Other short-circuit ratings: see OT switch-disconnectors catalogue

For more information on switches and their applications, see OT switch-disconnectors catalogue .  
Cabling, see pages 12...13. Terminal clamps for Al/Cu cables on page 149.

## Technical data

### Cabling for safety switches

Supply cable		Steel sheet enclosed safety switch (3-pole)	
Amount of parallel cables mm <sup>2</sup>		Cable entries from top and bottom	Cable entries from bottom
<b>Supply cable, cable cross section 16...50 mm<sup>2</sup></b>			
1x(16...50)		OT_75_, OT_90_	
<b>Supply cable, cable cross section 10...70 mm<sup>2</sup></b>			
1x(10...70)		OT_75_, OT_90_	
1x(10...70)		OT90_, OT125_	OT90_, OT125_
1x(10...70)		OT200_, OT250_	OT200_, OT250_
2x(10...70)		OT200_, OT250_, OT315_, OT400_	OT160_, OT200_, OT250_, OT315_, OT400_
<b>Supply cable, cable cross section 25...120 mm<sup>2</sup></b>			
1x(25...120)		OT160_, OT200_, OT250_	OT160_, OT200_, OT250_
1x(25...120)		OT315_, OT400_	OT315_, OT400_
2x(25...120)		OT160_	OT_90A_, OT125_, OT160_
2x(25...120)		OT200_, OT250_	OT200_, OT250_
2x(25...120)		OT315_, OT400_	OT315_, OT400_
2x(25...120)		OT315_, OT400_	OT315_, OT400_
<b>Supply cable, cable cross section 70...185 mm<sup>2</sup></b>			
1x(70...185)		OT315_, OT400_, OT630_, OT800E_	OT315_, OT400_, OT630_, OT800E_
2x(70...185)		OT315_, OT400_, OT630_, OT800E_	OT315_, OT400_, OT630_, OT800E_
3x(70...185)		OT630_, OT800_	OT630KA_, OT800_
4x(70...185)		OT630_, OT800_	OT630KA_, OT800_
<b>Supply cable, cable cross section 95...240 mm<sup>2</sup></b>			
1x(95...240)		OT200_, OT250_, OT315_, OT400_	OT200_, OT250_, OT315_, OT400_
2x(95...240)		OT200_, OT250_	OT200_, OT250_
2x(95...240)		OT315_, OT400_	OT315_, OT400_
<b>Supply cable, cable cross section 120...240 mm<sup>2</sup></b>			
1x(120...240)		OT315_, OT400_	OT315_, OT400_
<b>Supply cable, cable cross section 120...300 mm<sup>2</sup></b>			
1x(120...300)		OT315_, OT400_, OT630_, OT800E_	OT315_, OT400_, OT630_, OT800E_
2x(120...300)		OT315_, OT400_, OT630_, OT800E_	OT630_, OT800E_
2x(120...300)		OT1000_, OT1250_	OT1000_, OT1250_
3x(120...300)		OT630_, OT800E_	OT630KA_, OT800_
3x(120...300)		OT1000_, OT1250_	OT1000_, OT1250_
4x(120...300)		OT630_, OT800_	OT630KA_, OT800_
4x(120...300)		OT1000_, OT1250_	OT1000_, OT1250_
5x(120...300)		OT1000BL_, OT1250EL <sup>1)</sup>	

<sup>1)</sup> For 800 mm wide enclosure only

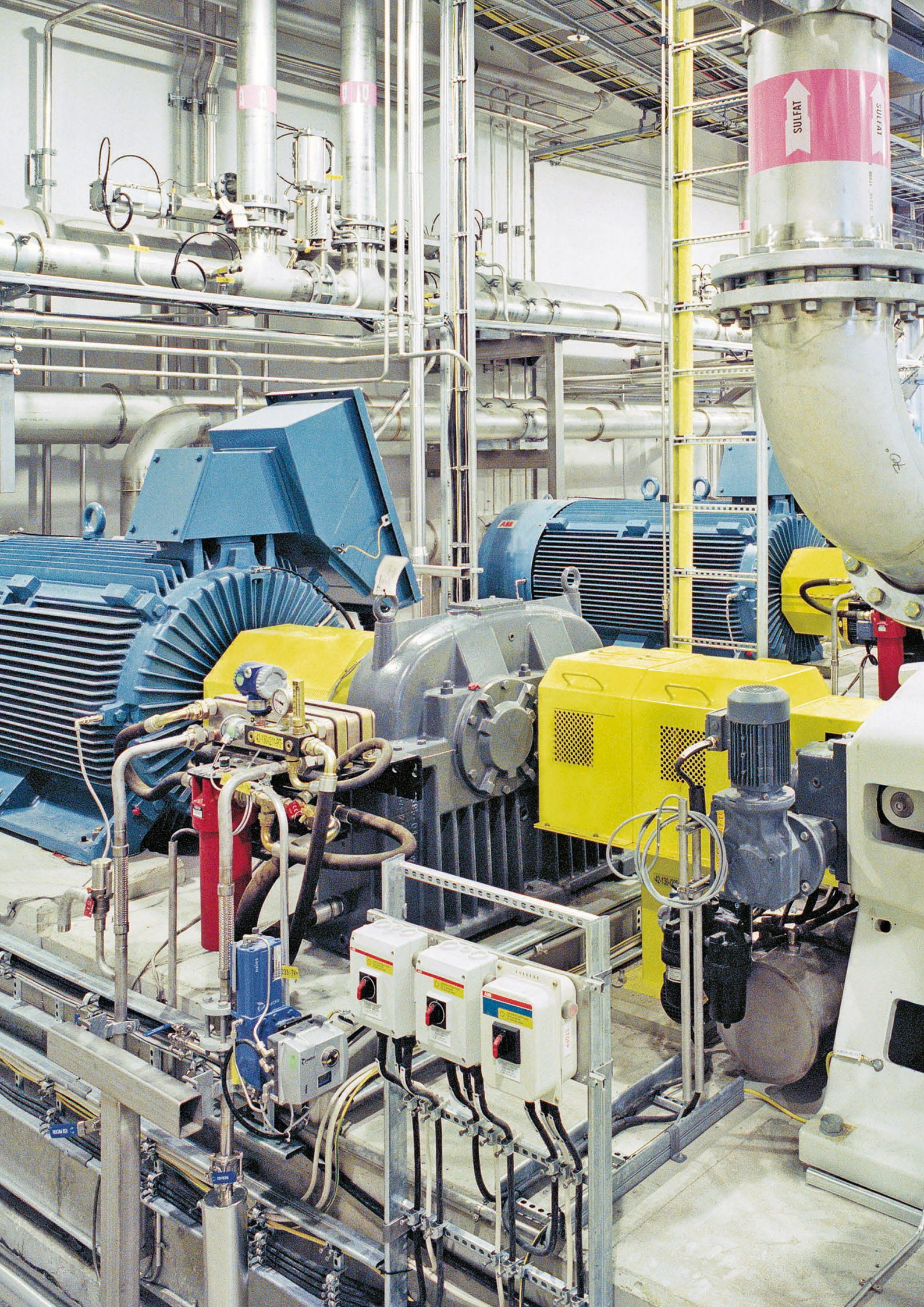


## Technical data

### Cabling for safety switches

Supply cable	Mounting accessories (to supply side)					
	Amount of parallel cables mm <sup>2</sup>	Busbar	Cable entries from top and bottom		Cable entries from bottom	
Terminal clamp			Terminal bolt kit	Busbar	Terminal clamp	Terminal bolt kit
<b>Supply cable, cable cross section 16...50 mm<sup>2</sup></b>						
1x(16...50)		OZXT1 (max 63A)				
<b>Supply cable, cable cross section 10...70 mm<sup>2</sup></b>						
1x(10...70)		OZXL1+OTS125T3P				
1x(10...70)		OZXL1+OTS160G1L3			OZXB1L	
1x(10...70)		OZXB1L			OZXB1L	
2x(10...70)	OZXE20	2xOZXB1		OZXE 20	2xOZXB1	
<b>Supply cable, cable cross section 25...120 mm<sup>2</sup></b>						
1x(25...120)		OZXB2			OZXB2	
1x(25...120)		OZXB2L			OZXB2L	
2x(25...120)	OZXE21	2xOZXB2		OZXE21	2xOZXB2	
2x(25...120)	OZXE45	OZXB2+OZXB2L		OZXE21	2xOZXB2	
2x(25...120)	OZXE21	2xOZXB2		OZXE21	2xOZXB2	
2x(25...120)	OZXE21	2xOZXB2L	OZXE54	OZXE21	2xOZXB2L	OZXE54
<b>Supply cable, cable cross section 70...185 mm<sup>2</sup></b>						
1x(70...185)		OZXB3			OZXB3	
2x(70...185)		OZXB4			OZXB4	
3x(70...185)	OZXE19	OZXB3+OZXB4		OZXE19	OZXB3 + OZXB4	
4x(70...185)	OZXE19	2xOZXB4		OZXE19	2xOZXB4	
<b>Supply cable, cable cross section 95...240 mm<sup>2</sup></b>						
1x(95...240)		OZXB9			OZXB9	
2x(95...240)	OZXE45	2xOZXB9	OZXE 56	OZXE45	2xOZXB9	OZXE56
2x(95...240)	OZXE46	2xOZXB9	OZXE 57	OZXE46	2xOZXB9	OZXE57
<b>Supply cable, cable cross section 120...240 mm<sup>2</sup></b>						
1x(120...240)		OZXB7			OZXB 7	
<b>Supply cable, cable cross section 120...300 mm<sup>2</sup></b>						
1x(120...300)		OZXB5			OZXB5	
2x(120...300)		OZXB6			OZXB6	
2x(120...300)		2xOZXB5			2xOZXB5	
3x(120...300)	OZXE19	OZXB5+OZXB6		OZXE19	OZXB5+OZXB6	
3x(120...300)		OZXB5+OZXB6			OZXB5+OZXB6	
4x(120...300)	OZXE19	2xOZXB6		OZXE19	2xOZXB6	
4x(120...300)		2xOZXB6			2xOZXB6	
5x(120...300)	OZXE19	2xOZXB6+OZXB5				

<sup>1)</sup> For 800 mm wide enclosure only



---

# Ordering Information

<b>20</b>	Plastic enclosed safety switches
<b>29</b>	Steel sheet enclosed safety switches
<b>51</b>	Stainless steel sheet enclosed safety switches
<b>57</b>	Acid-proof enclosed safety switches
<b>59</b>	Aluminium enclosed safety switches
<b>63</b>	ATEX enclosed safety switches
<b>65</b>	Plastic enclosed safety EMC switches
<b>69</b>	Steel sheet enclosed EMC safety switches

## Ordering information

### Plastic enclosed safety switches



OTP16H3M25,



OTP16HT3M  
OTP16HT3M25,  
OTP16HT3M251



OTP16K3M,  
OTP16K3M25



OTP16KA3M,  
OTP16KA3M25

#### Safety switches, 3-pole, IP65, white handle

The delivery includes a selector handle (I-O/ON-OFF), N- and PE-terminals, two membrane cable glands, two pull stoppers and auxiliary contacts according to the table below. White enclosure (RAL9001), cable entries from top and bottom. The rectangular handle has defeatable interlocking included. The round handle does not have defeatable interlocking.

##### Cable entries from top and bottom

Max. motor output/ AC-23A		Cable openings/side	Enclosure dimensions			Type	Order number	Weight /unit kg
415V kW/A	690V kW/A		Height mm	Width mm	Depth mm			

##### White round handle

Auxiliary contacts: mounted 1NO

7.5/16	7.5/10	2xM25/2xM25	120	85	60	OTP16H3M25	1SCA022699R3000	0.4
--------	--------	-------------	-----	----	----	------------	-----------------	-----

##### Black round handle

Auxiliary contacts: mounted 1NO

7.5/16	7.5/10	2xM20/2xM20	120	85	60	OTP16HT3M	1SCA022400R9410	0.4
7.5/16	7.5/10	2xM25/2xM25	120	85	60	OTP16HT3M25	1SCA022699R3770	0.4
7.5/16	7.5/10		120	85	60	OTP16HT3M251 <sup>1)</sup>	1SCA022699R4070	0.4

##### Black rectangular handle

Auxiliary contacts: mounted 1NO

7.5/16	7.5/10	2xM20 / 2xM20	120	85	60	OTP16K3M	1SCA022400R9830	0.4
7.5/16	7.5/10	2xM25/2xM25	120	85	60	OTP16K3M25	1SCA022699R4310	0.4

##### Red-yellow rectangular handle

Auxiliary contacts: mounted 1NO

7.5/16	7.5/10	2xM20 / 2xM20	120	85	60	OTP16KA3M	1SCA022399R6590	0.4
7.5/16	7.5/10	2xM25/2xM25	120	85	60	OTP16KA3M25	1SCA022699R4580	0.4

<sup>1)</sup> Does not contain auxiliary contact.

## Ordering information

### Plastic enclosed safety switches



OTP16T3M



OTP25...63T3M



OTP75...90T3M



OTP75...90T3U

#### Safety switches, 3-pole, IP65, black handle

The delivery includes a black selector handle (I-O/ON-OFF), N and PE-terminal, knock-out openings and auxiliary contacts according to the table below. Grey enclosure. Cover interlock and defeatable interlock included.

##### Cable entries from top and bottom

Max. motor output/ AC-23A		Cable openings/side	Enclosure dimensions			Type	Order number	Weight /unit kg
415V kW/A	690V kW/A		Height mm	Width mm	Depth mm			

##### Cable outlet type: Threaded knock-out

Auxiliary contacts included: 1NO • Auxiliary contacts max: 2NO+2NC

415V kW/A	690V kW/A	Cable openings/side	Height mm	Width mm	Depth mm	Type	Order number	Weight /unit kg
7,5/16	7,5/10	2xM25+M16/2xM25+M16	150	130	60	OTP16T3M	1SCA022400R9910	0.5
15/30	15/20	2xM32+M16/2xM32+M16	200	145	90	OTP25T3M	1SCA022401R0090	0.9
22/45	15/20		200	145	90	OTP36T3M	1SCA022401R0170	0.9
30/63	30/35	2xM50+M16/2xM50+M16	200	145	90	OTP63T3M	1SCA022608R2910	1
37/80	37/40		400	200	140	OTP75T3M	1SCA022812R2890	2.4
45/90	45/50	400	200	140	OTP90T3M	1SCA022812R2970	2.4	

##### Cable outlet type: Blank

Auxiliary contacts included: 1NO • Auxiliary contacts max: 2NO+2NC

415V kW/A	690V kW/A	Cable openings/side	Height mm	Width mm	Depth mm	Type	Order number	Weight /unit kg
37/80	37/40	Blank/Blank	400	200	140	OTP75T3U	1SCA022401R0250	2.4
45/90	45/50		400	200	140	OTP90T3U	1SCA022430R0760	2.4

##### Cable outlet type: Knockout

Auxiliary contacts included: 1NO • Auxiliary contacts max: 2NO+2NC

415V kW/A	690V kW/A	Cable openings/side	Height mm	Width mm	Depth mm	Type	Order number	Weight /unit kg
37/80	37/40	I-flange / I-flange	400	200	140	OTP75T3B	1SCA022371R2910	2.4
45/90	45/50		400	200	140	OTP90T3B	1SCA022429R3450	2.4

Compression glands or flanges to be ordered separately.

## Ordering information

### Plastic enclosed safety switches

#### Safety switches, 3-pole, IP65, black handle

The delivery includes a black pistol handle (I-O/ON-OFF), PE-terminal, knock-out openings and auxiliary contacts according to the table below. Grey enclosure. Cover interlock and defeatable interlock included.



OT90...125GFCC3T



OT160EVFCC3T,  
OT200...250KFCC3T



OT315KFCC3T



OT400DFCC3T



OT630KFCC3T,  
OT1000BFCC3T,  
OT400DGCC3T,  
OT630KGCC3T



OT200...315KGCC3T

#### Cable entries from top and bottom

Max. motor output/ AC-23A		Cable openings/side	Enclosure dimensions			Type	Order number	Weight /unit kg
415V kW/A	690V kW/A		Height mm	Width mm	Depth mm			

#### Cable outlet type: Threaded knock-out

Auxiliary contacts included: 1NO • Auxiliary contacts max: 2NO+2NC

45/90	75/90	II-flange/II-flange	380	280	130	OT90GFCC3T	1SCA148610R1001	3.4
55/125	110/125		380	280	130	OT125GFCC3T	1SCA148608R1001	3.4
80/160	144/160		560	280	130	OT160EVFCC3T	1SCA148656R1001	5.4
110/200	160/200		560	280	130	OT200KFCC3T	1SCA022260R5370	9
132/250	200/250		560	280	130	OT250KFCC3T	1SCA022276R8830	9
160/315	250/315	2xII-flange/2xII-flange	560	380	180	OT315KFCC3T	1SCA022276R9810	9
220/400	355/400		840	380	180	OT400DFCC3T	1SCA022277R0490	16
315/570	560/570		760	560	250	OT630KFCC3T	1SCA022277R1030	20
560/1000	1000/1000		760	560	250	OT1000BFCC3T	1SCA022277R1620	35

#### Cable entries from bottom

Max. motor output/ AC-23A		Cable openings/side	Enclosure dimensions			Type	Order number	Weight /unit kg
415V kW/A	690V kW/A		Height mm	Width mm	Depth mm			

#### Cable outlet type: Knock-out

Auxiliary contacts included: 2NO+2NC • Auxiliary contacts max: 2NO+2NC

110/200	160/200	II-flange/II-flange	560	380	180	OT200KGCC3T	1SCA022276R8670	9
132/250	200/250		560	380	180	OT250KGCC3T	1SCA022276R9640	9
160/315	250/315		560	380	180	OT315KGCC3T	1SCA022277R0220	9
220/400	355/400	2xII-flange/2xII-flange	760	560	250	OT400DGCC3T	1SCA022277R0810	24
315/570	560/570		760	560	250	OT630KGCC3T	1SCA022277R1460	26

Compression glands or flanges to be ordered separately.

## Ordering information

### Plastic enclosed safety switches



OTP16T4M



OTP25...63T4M



OTP75...90T4M



OTP75...90T4U



OT125GFCC4T



OT200...315KFCC4T



OT400DFCC4T

#### Safety switches, 4-pole, IP65, black handle

The delivery includes a black handle (I-O/ON-OFF), PE-terminals, knock-out openings and auxiliary contacts according to the table below. Cover interlock and defeatable interlock included.

##### Cable entries from top and bottom

Max. motor output/ AC-23A		Cable openings/side	Enclosure dimensions			Type	Order number	Weight /unit kg
415V kW/A	690V kW/A		Height mm	Width mm	Depth mm			

##### Selector handle

**N-terminal included. Threaded knock-out openings, also for control cables.**

Auxiliary contacts included: 1NO • Auxiliary contacts max: 2NO+2NC

7,5/16	7,5/10	2xM25+M16/2xM25+M16	150	130	60	OTP16T4M	1SCA022401R0500	0.53
15/30	15/20	2xM32+M16/2xM32+M16	200	145	90	OTP25T4M	1SCA022401R0680	0.96
22/45	15/20		200	145	90	OTP36T4M	1SCA022401R0760	0.96
30/63	30/35	2xM50+M16/2xM50+M16	200	145	90	OTP63T4M	1SCA150558R1001	1.1
37/80	37/40		400	200	140	OTP75T4M	1SCA022812R3010	2.5
45/90	45/50		400	200	140	OTP90T4M	1SCA022812R3190	2.5

**N-terminal included. Cable outlet type: Blank**

Auxiliary contacts included: 1NO • Auxiliary contacts max: 2NO+2NC

37/80	37/40	Blank/Blank	400	200	140	OTP75T4U	1SCA022401R0840	2.5
45/90	45/50		400	200	140	OTP90T4U	1SCA022430R1570	2.5

##### Pistol handle

**Cable opening type: knock-out**

Auxiliary contacts included: 1NO • Auxiliary contacts max: 2NO+2NC

37/80	37/80	I-flange / I-flange	400	200	140	OTP75T4B	1SCA022383R0860	2.5
45/90	45/50		400	200	140	OTP90T4B	1SCA022430R1310	2.5

Auxiliary contacts included: 1NO+1NC • Auxiliary contacts max: 2NO+2NC

55/125	110/125	II-flange/II-flange	380	280	130	OT125GFCC4T	1SCA148612R1001	3.6
--------	---------	---------------------	-----	-----	-----	-------------	-----------------	-----

Auxiliary contacts included: 2NO+1NC • Auxiliary contacts max: 2NO+1NC

80/160	144/160	II-flange/II-flange	560	280	180	OT160EVFCC4T	1SCA148675R1001	7.5
110/200	160/200		560	380	180	OT200KFCC4T	1SCA022367R9430	9.3
132/250	200/250		560	380	180	OT250KFCC4T	1SCA022619R2250	9.3
160/315	250/315		560	380	180	OT315KFCC4T	1SCA022367R9510	9.3
220/400	355/400		840	380	180	OT400DFCC4T	1SCA022623R3970	17

Compression glands or flanges to be ordered separately.

## Ordering information

### Plastic enclosed safety switches



OTP16T6M



OTP25...36T6M



OTP75...90T6M



OTP75...90T6U



OT90...125GFCC6T

OT160EVFCC6T,  
OT200...315KFCC6T,  
OT400DFCC6T

#### Safety switches, 6-pole, IP65, black handle

The delivery includes a black handle (I-O/ON-OFF), PE-terminals, knock-out openings and auxiliary contacts according to the table below. Grey enclosure. Cover interlock and defeatable interlock included.

##### Cable entries from top and bottom

Max. motor output/ AC-23A		Cable openings/side	Enclosure dimensions			Type	Order number	Weight /unit kg
415V kW/A	690V kW/A		Height mm	Width mm	Depth mm			

##### Selector handle

**N-terminal included. Threaded knock-out openings, also for control cables.**

Auxiliary contacts included: 1NO • Auxiliary contacts max: 1NO+1NC

7,5/16	7,5/10	2xM32+M16/2xM32+M16	200	145	90	OTP16T6M	1SCA022401R1730	0.7
--------	--------	---------------------	-----	-----	----	----------	-----------------	-----

##### Pistol handle

**N-terminal included. Threaded knock-out openings, also for control cables.**

Auxiliary contacts included: 1NO • Auxiliary contacts max: 1NO+1NC

15/30	15/20	2xM32+M16/2xM32+M16	200	145	90	OTP25T6M	1SCA022401R1810	1.2
22/45	15/20		200	145	90	OTP36T6M	1SCA022401R1900	1.2

Auxiliary contacts included: 1NO • Auxiliary contacts max: 2NO+2NC

37/80	37/40	2xM50+M16/2xM50+M16	400	200	140	OTP75T6M	1SCA022812R3270	3.2
45/90	45/50		400	200	140	OTP90T6M	1SCA022812R3350	3.2

**N-terminal included. Cable outlet type: Blank**

Auxiliary contacts included: 1NO • Auxiliary contacts max: 2NO+2NC

37/80	37/40	Blank/Blank	400	200	140	OTP75T6U	1SCA022401R2030	3.2
45/90	45/50		400	200	140	OTP90T6U	1SCA022430R2460	3.2

**Cable outlet type: knock-out.**

Auxiliary contacts included: 1NO • Auxiliary contacts max: 2NO+2NC

30/63	30/35	I-flange / I-flange	400	200	140	OTP63T6B	1SCA022485R6440	2.5
37/80	37/40		400	200	140	OTP75T6B	1SCA022371R3040	3.2
45/90	45/50		400	200	140	OTP90T6B	1SCA022430R2380	3.2

Auxiliary contacts included: 2NO+4NC • Auxiliary contacts max: 2NO+2NC

45/90	75/90	II-flange/II-flange	560	380	180	OT90GFCC6T	1SCA148666R1001	8
55/125	110/125		560	380	180	OT125GFCC6T	1SCA148668R1001	8

Auxiliary contacts included: 4NO+2NC • Auxiliary contacts max: 4NO+2NC

80/160	144/160	2xII-flange/2xII-flange	760	560	250	OT160EVFCC6T	1SCA148660R1001	13.5
110/200	160/200		760	560	250	OT200KFCC6T	1SCA022260R5530	21
132/250	200/250		760	560	250	OT250KFCC6T	1SCA022276R9480	21
160/315	250/315		760	560	250	OT315KFCC6T	1SCA022277R0060	21
220/400	355/400		760	560	250	OT400DFCC6T	1SCA022277R0650	29

Compression glands or flanges to be ordered separately.



## Ordering information

### Plastic enclosed safety switches

#### Safety switches, 3-pole, IP65, red-yellow handle

The delivery includes a red-yellow handle (I-O/ON-OFF), PE-terminal, knock-out openings and auxiliary contacts according to the table below. Grey enclosure. Cover interlock and defeatable interlock included.



OTP16A3M



OTP25...63A3M



OTP75...90A3M



OTP75...90A3U

OT90...125GFCC3A,  
OT160EVFCC3A,  
OT200...315KFCC3A

OT400DFCC3A



OT630KFCC3A

OT315KFCC3A,  
OT200...315KGCC3AOT1000BFCC3A,  
OT400DGCC3A,  
OT630KGCC3A

#### Cable entries from top and bottom

Max. motor output/ AC-23A		Cable openings/side	Enclosure dimensions			Type	Order number	Weight /unit kg
415V kW/A	690V kW/A		Height mm	Width mm	Depth mm			
7,5/16	15/20	2xM25+M16/2xM25+M16	150	130	60	OTP16A3M	1SCA022399R6750	0.5
15/30	15/20	2xM32+M16/2xM32+M16	200	145	90	OTP25A3M	1SCA022399R6670	0.9
22/45	15/20		200	145	90	OTP36A3M	1SCA022399R6830	0.9
30/63	30/35	2xM50+M16/2xM50+M16	200	145	90	OTP63A3M	1SCA022613R1200	1
37/80	37/40		400	200	140	OTP75A3M	1SCA022812R3430	2.4
45/90	45/50	400	200	140	OTP90A3M	1SCA022812R3510	2.4	

#### Selector handle

##### N-terminal included. Threaded knock-out openings, also for control cables.

Auxiliary contacts included: 1NO • Auxiliary contacts max: 2NO+2NC

7,5/16	7,5/10	2xM25+M16/2xM25+M16	150	130	60	OTP16A3M	1SCA022399R6750	0.5
15/30	15/20	2xM32+M16/2xM32+M16	200	145	90	OTP25A3M	1SCA022399R6670	0.9
22/45	15/20		200	145	90	OTP36A3M	1SCA022399R6830	0.9
30/63	30/35	2xM50+M16/2xM50+M16	200	145	90	OTP63A3M	1SCA022613R1200	1
37/80	37/40		400	200	140	OTP75A3M	1SCA022812R3430	2.4
45/90	45/50	400	200	140	OTP90A3M	1SCA022812R3510	2.4	

##### N-terminal included. Cable outlet type: Blank

Auxiliary contacts included: 1NO • Auxiliary contacts max: 2NO+2NC

37/80	37/40	Blank/Blank	400	200	140	OTP75A3U	1SCA022401R0410	2.4
45/90	45/50	Blank/Blank	400	200	140	OTP90A3U	1SCA022430R1060	2.4

##### N-terminal included. Cable outlet type: knock-out.

Auxiliary contacts included: 1NO • Auxiliary contacts max: 2NO+2NC

37/80	37/40	I-flange / I-flange	400	200	140	OTP75A3B	1SCA022382R0550	2.4
45/90	45/50	I-flange / I-flange	400	200	140	OTP90A3B	1SCA022430R0410	2.4

Auxiliary contacts included: 1NO • Auxiliary contacts max: 2NO+2NC

45/90	75/90	II-flange/II-flange	380	280	130	OT90GFCC3A	1SCA148609R1001	3.4
-------	-------	---------------------	-----	-----	-----	------------	-----------------	-----

Auxiliary contacts included: 1NO+1NC • Auxiliary contacts max: 2NO+2NC

55/125	110/125	II-flange/II-flange	380	280	130	OT125GFCC3A	1SCA148607R1001	3.4
--------	---------	---------------------	-----	-----	-----	-------------	-----------------	-----

Auxiliary contacts included: 2NO+1NC • Auxiliary contacts max: 2NO+2NC

80/160	144/160	II-flange/II-flange	560	280	130	OT160EVFCC3A	1SCA148655R1001	5.4
110/200	160/200		560	280	130	OT200KFCC3A	1SCA022278R1340	9
132/250	200/250		560	280	130	OT250KFCC3A	1SCA022278R1930	9
160/315	250/315		560	380	180	OT315KFCC3A	1SCA022278R2580	9
220/400	355/400		840	380	180	OT400DFCC3A	1SCA022278R3120	16
315/570	560/570		760	560	250	OT630KFCC3A	1SCA022278R3710	20
560/1000	1000/1000	2xII-flange/2xII-flange	760	560	250	OT1000BFCC3A	1SCA022297R5620	35

#### Cable entries from bottom

Max. motor output/ AC-23A		Cable openings/side	Enclosure dimensions			Type	Order number	Weight /unit kg
415V kW/A	690V kW/A		Height mm	Width mm	Depth mm			
110/200	160/200	II-flange/II-flange	560	380	180	OT200KGCC3A	1SCA022297R6010	9
132/250	200/250		560	380	180	OT250KGCC3A	1SCA022297R6270	9
160/315	250/315		560	380	180	OT315KGCC3A	1SCA022298R8280	9
220/400	355/400	2xII-flange/2xII-flange	760	560	250	OT400DGCC3A	1SCA022297R6430	24
315/570	560/570		760	560	250	OT630KGCC3A	1SCA022297R6600	26

##### Cable outlet type: Knock-out

Auxiliary contacts included: 2NO+1NC • Auxiliary contacts max: 2NO+1NC

110/200	160/200	II-flange/II-flange	560	380	180	OT200KGCC3A	1SCA022297R6010	9
132/250	200/250		560	380	180	OT250KGCC3A	1SCA022297R6270	9
160/315	250/315		560	380	180	OT315KGCC3A	1SCA022298R8280	9
220/400	355/400	2xII-flange/2xII-flange	760	560	250	OT400DGCC3A	1SCA022297R6430	24
315/570	560/570		760	560	250	OT630KGCC3A	1SCA022297R6600	26

Compression glands or flanges to be ordered separately.

## Ordering information

### Plastic enclosed safety switches

#### Safety switches, 4-pole, IP65, red-yellow handle

The delivery includes a red-yellow handle (I-O/ON-OFF), N- and PE-terminals, knock-out openings and auxiliary contacts according to the table below. Grey enclosure. Cover interlock and defeatable interlock included.



OTP16A4M



OTP25...63A4M



OTP75...90A4M



OTP75...90A4U



OT125GFCC4A



OT160EVFCC4A,  
OT200...315KFCC4A



OT400DFCC4A

#### Cable entries from top and bottom

Max. motor output/ AC-23A		Cable openings/side	Enclosure dimensions			Type	Order number	Weight /unit kg
415V kW/A	690V kW/A		Height mm	Width mm	Depth mm			
7,5/16	7,5/10	2xM25+M16/2xM25+M16	150	130	60	OTP16A4M	1SCA022401R1060	0.53
15/30	15/20	2xM32+M16/2xM32+M16	200	145	90	OTP25A4M	1SCA022401R1220	0.96
22/45	15/20		200	145	90	OTP36A4M	1SCA022401R1490	0.96
30/63	30/35	2xM50+M16/2xM50+M16	200	145	90	OTP63A4M	1SCA150557R1001	1
37/80	37/40		400	200	140	OTP75A4M	1SCA022812R3780	2.5
45/90	45/50		400	200	140	OTP90A4M	1SCA022812R3860	2.3

#### Selector handle

##### Threaded knock-out openings, also for control cables.

Auxiliary contacts included: 1NO • Auxiliary contacts max: 2NO+2NC

7,5/16	7,5/10	2xM25+M16/2xM25+M16	150	130	60	OTP16A4M	1SCA022401R1060	0.53
15/30	15/20	2xM32+M16/2xM32+M16	200	145	90	OTP25A4M	1SCA022401R1220	0.96
22/45	15/20		200	145	90	OTP36A4M	1SCA022401R1490	0.96
30/63	30/35	2xM50+M16/2xM50+M16	200	145	90	OTP63A4M	1SCA150557R1001	1
37/80	37/40		400	200	140	OTP75A4M	1SCA022812R3780	2.5
45/90	45/50		400	200	140	OTP90A4M	1SCA022812R3860	2.3

#### Cable outlet type: blank.

Auxiliary contacts included: 1NO • Auxiliary contacts max: 2NO+2NC

37/80	37/40	Blank/Blank	400	200	140	OTP75A4U	1SCA022401R1650	2.5
45/90	45/50			400	200	140	OTP90A4U	1SCA022430R2030

#### Pistol handle

##### Cable outlet type: knock-out

Auxiliary contacts included: 1NO • Auxiliary contacts max: 2NO+2NC

37/80	37/40	I-flange / I-flange	400	200	140	OTP75A4B	1SCA022401R1570	2.5
45/90	45/50			400	200	140	OTP90A4B <td>1SCA022430R1900</td> <td>2.5</td>	1SCA022430R1900

Auxiliary contacts included: 1NO+1NC • Auxiliary contacts max: 2NO+2NC

55/125	110/125	II-flange/II-flange	380	280	130	OT125GFCC4A	1SCA148611R1001	3.6
--------	---------	---------------------	-----	-----	-----	-------------	-----------------	-----

Auxiliary contacts included: 2NO+1NC • Auxiliary contacts max: 2NO+1NC

80/160	144/160	II-flange/II-flange	560	380	180	OT160EVFCC4A	1SCA148674R1001	7.5
110/200	160/200		560	380	180	OT200KFCC4A	1SCA022745R6460	9.3
132/250	200/250		560	380	180	OT250KFCC4A	1SCA022745R6540	9.3
160/315	250/315		560	380	180	OT315KFCC4A	1SCA022745R6620	9.3
220/400	355/400		840	380	180	OT400DFCC4A	1SCA022745R6710	17

Compression glands or flanges to be ordered separately.

## Ordering information

### Plastic enclosed safety switches

#### Safety switches, 6-pole, IP65, red-yellow handle

The delivery includes a red-yellow handle (I-O/ON-OFF), PE-terminal, knock-out openings and auxiliary contacts according to the table below. Grey enclosure. Cover interlock and defeatable interlock included.

##### Cable entries from top and bottom

Max. motor output/ AC-23A		Cable openings/side	Enclosure dimensions			Type	Order number	Weight /unit kg
415V kW/A	690V kW/A		Height mm	Width mm	Depth mm			



OTP16A6M



OTP25...36A6M



OTP75...90A6M



OTP75...90A6U



OT90...125GFCC6A

OT160EVFCC6A,  
OT200...315KFCC6A,  
OT400DFCC6A

##### Selector handle

**N-terminal included. Threaded knock-out openings, also for control cables.**

Auxiliary contacts included: 1NO • Auxiliary contacts max: 1NO+1NC

7,5/16	7,5/10	2xM32+M16 / 2xM32+M16	200	145	90	OTP16A6M	1SCA022401R2200	0.7
--------	--------	-----------------------	-----	-----	----	----------	-----------------	-----

##### Pistol handle

**N-terminal included. Threaded knock-out openings, also for control cables.**

Auxiliary contacts included: 1NO • Auxiliary contacts max: 1NO+1NC

15/30	15/20	2xM32+M16 / 2xM32+M16	200	145	90	OTP25A6M	1SCA022401R2460	1.2
22/45	15/20		200	145	90	OTP36A6M	1SCA022401R2620	1.2

Auxiliary contacts included: 1NO • Auxiliary contacts max: 2NO+2NC

37/80	37/40	2xM50+M16 / 2xM50+M16	400	200	140	OTP75A6M	1SCA022812R3940	3.2
45/90	45/50		400	200	140	OTP90A6M	1SCA022812R4080	3.2

**N-terminal included. Cable outlet type: blank**

Auxiliary contacts included: 1NO • Auxiliary contacts max: 2NO+2NC

37/80	37/40	Blank/Blank	400	200	140	OTP75A6U	1SCA022401R2890	3.2
45/90	45/50		400	200	140	OTP90A6U	1SCA022430R2620	3.2

**Cable opening type: knock-out**

Auxiliary contacts included: 1NO • Auxiliary contacts max: 2NO+2NC

30/63	30/35	I-flange / I-flange	400	200	140	OTP63A6B	1SCA022485R6280	2.5
37/80	37/40		400	200	140	OTP75A6B	1SCA022401R2710	3.2
45/90	45/50		400	200	140	OTP90A6B	1SCA022430R2540	3.2

Auxiliary contacts included: 2NO+2NC • Auxiliary contacts max: 2NO+2NC

45/90	75/90	II-flange/II-flange	560	380	180	OT90GFCC6A	1SCA148665R1001	8
55/125	110/125		560	380	180	OT125GFCC6A	1SCA148667R1001	8

Auxiliary contacts included: 4NO+2NC • Auxiliary contacts max: 4NO+2NC

80/160	144/160	2xII-flange/2xII-flange	760	560	250	OT160EVFCC6A	1SCA148661R1001	13.5
110/200	160/200		760	560	250	OT200KFCC6A	1SCA022297R8480	21
132/250	200/250		760	560	250	OT250KFCC6A	1SCA022297R8640	21
160/315	250/315		760	560	250	OT315KFCC6A	1SCA022292R7730	21
220/400	355/400		760	560	250	OT400DFCC6A	1SCA022297R8810	29

Compression glands or flanges to be ordered separately.

## Ordering information

### Plastic enclosed safety switches

#### Side operated safety switches, 3, 4 and 6-pole, IP65

Enclosure in robust thermoplastic (PBT). The safety switch comes complete with neutral, PE terminal, one N.O auxiliary contact, cable entries with metric threaded knock-outs, IP65 membrane glands. Cover interlock included.

Dark grey side-operated handle, dark grey cover

Cable entries from top and bottom



BWS325TPN



BWS425TPSN



BWS625TPN

Max. motor output/ AC-23A		Cable openings/side	Enclosure dimensions			Type	Order number	Weight /unit kg
415V kW/A	690V kW/A		Height mm	Width mm	Depth mm			
7,5/16	7,5/10	2xM25/2xM25	130	111	60	BWS316TPN	2CMA142417R1000	0.3
11/25	11/16	2xM32/2xM32+M16	168	138	68	BWS325TPN	2CMA142420R1000	0.4

#### 3-pole. Threaded knock-out openings, also for control cables.

Auxiliary contacts included: 1NO • Auxiliary contacts max: 1NO

7,5/16	7,5/10	2xM25/2xM25	130	111	60	BWS316TPN	2CMA142417R1000	0.3
11/25	11/16	2xM32/2xM32+M16	168	138	68	BWS325TPN	2CMA142420R1000	0.4

Auxiliary contacts included: not included • Auxiliary contacts max: 1NO

7,5/16	7,5/10	2xM25/2xM25	130	111	60	BWS316FTPN	2CMA142440R1000	0.31
--------	--------	-------------	-----	-----	----	------------	-----------------	------

#### 4-pole. Threaded knock-out openings, also for control cables.

Auxiliary contacts included: 1NO • Auxiliary contacts max: 1NO

7,5/16	7,5/10	2xM25/2xM25	130	111	60	BWS416TPSN	2CMA142418R1000	0.32
11/25	11/16	2xM32/2xM32+M16	168	138	68	BWS425TPSN	2CMA142421R1000	0.42

#### 6-pole. Threaded knock-out openings, also for control cables.

Auxiliary contacts included: 1NO • Auxiliary contacts max: 1NO

7,5/16	7,5/10	2xø25.5+ø16.5/	130	190	130	BWS616TPN	2CMA142419R1000	0.54
11/25	11/16	2xø25.5+ø16.5	130	190	130	BWS625TPN	2CMA142422R1000	0.54

Red side-operated handle, yellow cover

Cable entries from top and bottom



BWS325YTPN



BWS425YTPN



BWS625YTPN

Max. motor output/ AC-23A		Cable openings/side	Enclosure dimensions			Type	Order number	Weight /unit kg
415V kW/A	690V kW/A		Height mm	Width mm	Depth mm			
7,5/16	7,5/10	2xM25/2xM25	130	111	60	BWS316YTPN	2CMA142423R1000	0.32
11/25	11/16	2xM32/2xM32+M16	168	138	68	BWS325YTPN	2CMA142426R1000	0.41

#### 3-pole. Threaded knock-out openings, also for control cables.

Auxiliary contacts included: 1NO • Auxiliary contacts max: 1NO

7,5/16	7,5/10	2xM25/2xM25	130	111	60	BWS316YTPN	2CMA142423R1000	0.32
11/25	11/16	2xM32/2xM32+M16	168	138	68	BWS325YTPN	2CMA142426R1000	0.41

#### 4-pole. Threaded knock-out openings, also for control cables.

Auxiliary contacts included: 1NO • Auxiliary contacts max: 1NO

7,5/16	7,5/10	2xM25/2xM25	130	111	60	BWS416YTPSN	2CMA142424R1000	0.32
11/25	11/16	2xM32/2xM32+M16	168	138	68	BWS425YTPSN	2CMA142427R1000	0.42

#### 6-pole. Threaded knock-out openings, also for control cables.

Auxiliary contacts included: 1NO • Auxiliary contacts max: 1NO

7,5/16	7,5/10	2xø25.5+ø16.5/	130	190	130	BWS616YTPN	2CMA142425R1000	0.54
11/25	11/16	2xø25.5+ø16.5	130	190	130	BWS625YTPN	2CMA142428R1000	0.54

Compression glands or flanges to be ordered separately.

## Ordering information

### Steel sheet enclosed safety switches

#### Safety switches, 3-pole, IP65, black handle

The delivery includes a black handle (I-O/ON-OFF) PE-terminal and auxiliary contact 1NO. Knock-out type cable openings included, cable outlets also for control cable. Hinged cover, grey enclosure, equipped with hinges and lock. Auxiliary contacts are wired to the terminal blocks in sizes 200A...800A. Cover interlock and defeatable interlock included.

#### Cable entries from top and bottom

Max. motor output/ AC-23A		Cable openings/side	Enclosure dimensions			Type	Order number	Weight /unit kg
415V kW/A	690V kW/A		Height mm	Width mm	Depth mm			



OTL16...36T3M

OTL16T3M32,  
OTL25...36T3M25

OTL63T3M



OTL75...90T3B



OTL75...90T3U



OTL16...63T3B

#### Selector handle

Auxiliary contacts included: 1NO • Auxiliary contacts max: 2NO+2NC

7,5/16	7,5kW/10	2xø25.5/2xø25.5	200	150	100	OTL16T3M	1SCA022612R9810	1.7
7,5/16	7,5kW/10	2xø32.5+ø16.5/2xø32.5+ø16.5	200	150	100	OTL16T3M32	1SCA130523R1001	1.7

Auxiliary contacts included: 1NO • Auxiliary contacts max: 2NO+1NC

15/30	15kW/20	2xø32.5+ø16.5/2xø32.5+ø16.5	200	150	100	OTL25T3M	1SCA022612R9990	1.9
15/30	15kW/20	2xø25.5+ø16.5/2xø25.5+ø16.5	200	150	100	OTL25T3M25	1SCA122326R1001	1.9
22/45	15kW/20	2xø32.5+ø16.5/2xø32.5+ø16.5	200	150	100	OTL36T3M	1SCA022613R0060	1.9
22/45	15kW/20	2xø25.5+ø16.5/2xø25.5+ø16.5	200	150	100	OTL36T3M25	1SCA100645R1001	1.9

#### Pistol handle

Auxiliary contacts included: 1NO • Auxiliary contacts max: 2NO+2NC

30/63	30kW/35	2xø32.5+ø16.5/2xø32.5+ø16.5	250	165	110	OTL63T3M	1SCA022609R7180	2.4
37/80	37kW/40	B-flange/B-flange	300	200	135	OTL75T3B	1SCA022546R0820	3.3
37/80	37kW/40	Blank/Blank	300	200	135	OTL75T3U	1SCA022718R4520	3.3
45/90	45kW/50	B-flange/B-flange	300	200	135	OTL90T3B	1SCA022546R1120	3.3
45/90	45kW/50	Blank/Blank	300	200	135	OTL90T3U	1SCA022718R4610	3.1

#### Cable entries from bottom

Max. motor output/ AC-23A		Cable openings/side	Enclosure dimensions			Type	Order number	Weight /unit kg
415V kW/A	690V kW/A		Height mm	Width mm	Depth mm			

#### Selector handle

Auxiliary contacts included: 1NO • Auxiliary contacts max: 2NO+2NC

7,5/16	7,5/10	Blank/B-flange	200	150	100	OTL16T3B	1SCA022571R9150	1.7
--------	--------	----------------	-----	-----	-----	----------	-----------------	-----

Auxiliary contacts included: 1NO • Auxiliary contacts max: 2NO+1NC

15/30	15/20	Blank/B-flange	200	150	100	OTL25T3B	1SCA022571R9230	1.9
22/45	15/20		200	150	100	OTL36T3B	1SCA022571R9310	1.9
30/63	30/35		200	150	100	OTL63T3B	1SCA022571R9400	2.0

#### Pistol handle

Auxiliary contacts included: 1NO+1NC • Auxiliary contacts max: 2NO+2NC

45/90	75/90	Blank / Blank	400	250	180	OT90GLUU3TZ <sup>1)</sup>	1SCA148207R1001	9.4
-------	-------	---------------	-----	-----	-----	---------------------------	-----------------	-----

Auxiliary contacts included: 2NO+1NC • Auxiliary contacts max: 2NO+1NC

110/200	160/200	Blank/Blank	600	400	230	OT200KLUU3TZ	1SCA022581R0310	30
132/250	200/250		600	400	230	OT250KLUU3TZ	1SCA022581R0400	21
160/315	250/315		600	400	230	OT315KLUU3TZ	1SCA022581R0580	21
220/400	355/400		800	400	230	OT400DLUU3TZ	1SCA022581R0660	22.07



OT200...315KLUU3TZ

Compression glands or flanges to be ordered separately.

<sup>1)</sup> Knock-outs 10, 12.5, 20.5, 25.5, 32.5, 40.5 mm

## Ordering information

### Steel sheet enclosed safety switches

#### Safety switches with ring-flange cable entries, 3-pole, IP65, black handle

The delivery includes a black pistol type handle (I-O/ON-OFF), PE-terminal and grey enclosure. Fixed cable entry with ring-flange entries. Entry plate fixing profiles are used also for mounting the safety switch. Auxiliary contacts are wired to the terminal blocks in sizes 200A...800A. Cover interlock and defeatable interlock included.



OT160EVLRR3TZ,  
OT200...315KLRR3TZ



OT400DLRR3TZ



OT1000BBRR3TZ

#### Cable entries from top and bottom

Max. motor output/ AC-23A 415V kW/A	Cable openings/side	Enclosure dimensions			Cover flanges included [pcs]	Type	Order number	Weight /unit kg
		Height mm	Width mm	Depth mm				
Knock-outs: 3x10mm, 12.5mm, 20.5mm, 25.5mm, 32.5mm Auxiliary contacts included: 2NO+1NC • Auxiliary contacts max: 2NO+1NC								
80/160	4xring-flange/ 4xring-flange	600	400	230	6	OT160EVLRR3TZ	1SCA148594R1001	19.41
110/200		600	400	230	6	OT200KLRR3TZ	1SCA022340R0770	21
132/250		600	400	230	6	OT250KLRR3TZ	1SCA022340R1150	21
160/315		600	400	230	6	OT315KLRR3TZ	1SCA022340R1580	21
220/400		800	400	230	5	OT400DLRR3TZ	1SCA022340R1910	27
315/570		1000	400	230	4	OT630KLRR3TZ	1SCA022281R6230	31
400/720		1000	400	230	4	OT800ELRR3TZ	1SCA022827R8390	31
560/1000	8xring-flange/ 8xring-flange	1200	800	330	10	OT1000BLRR3TZ	1SCA022340R3520	66
560/1000		1200	400	330	2	OT1000BBRR3TZ	1SCA022340R3100	63
710/1250		1200	800	330	10	OT1250ELRR3TZ	1SCA102773R1001	66

#### Cable entries from bottom

Max. motor output/ AC-23A 415V kW/A	Cable openings/side	Enclosure dimensions			Cover flanges included [pcs]	Type	Order number	Weight /unit kg
		Height mm	Width mm	Depth mm				
Knock-outs: 3x10mm, 12.5mm, 20.5mm, 25.5mm, 32.5mm Auxiliary contacts included: 1NO+1NC • Auxiliary contacts max: 2NO+2NC								
45/90	Blank/	400	400	230	4	OT90GAUR3TZ	1SCA148436R1001	14.8
55/125	4xring-flange	400	400	230	4	OT125GAUR3TZ	1SCA148442R1001	14.8
Knock-outs: 3x10mm, 12.5mm, 20.5mm, 25.5mm, 32.5mm Auxiliary contacts included: 2NO+1NC • Auxiliary contacts max: 2NO+1NC								
80/160	Blank/ 4xring-flange	600	400	230	2	OT160EVAUR3TZ	1SCA147980R1001	21.91
110/200		600	400	230	2	OT200KAUR3TZ	1SCA022281R6820	23
132/250		800	400	230	2	OT250KAUR3TZ	1SCA022281R7040	27
160/315		800	400	230	2	OT315KAUR3TZ	1SCA022281R7210	27
220/400		800	400	230	2	OT400DAUR3TZ	1SCA022281R7470	30
315/570	Blank/8xring-flange	1000	800	230	4	OT630KAUR3TZ	1SCA022281R7630	50
315/570	Blank/4xring-flange	1000	400	330	0	OT630KBUR3TZ	1SCA022340R2710	48
400/720		1000	800	230	4	OT800EAUR3TZ	1SCA022827R8210	50
560/1000	Blank/ 8xring-flange	1200	800	330	2	OT1000BAUR3TZ	1SCA022340R3950	73
710/1250		1200	800	330	2	OT1250EAUR3TZ	1SCA103273R1001	73

Compression glands or flanges to be ordered separately.



OT160EVAUR3TZ,  
OT200KAUR3TZ



OT630KBUR3TZ



OT1000BAUR3TZ,  
OT1250EAUR3TZ

## Ordering information

### Steel sheet enclosed safety switches



OT90...125GLCC3TZ

OT160EVLCC3TZ,  
OT200...315KLCC3TZ

OT400DLCC3TZ

OT630KLCC3TZ,  
OT800ELCC3TZOT800EBCC3TZ,  
OT1000BLCC3TZ,  
OT1250ELCC3TZ

OT1000BBCC3TZ

#### Safety switches with C-flange cable entries, 3-pole, IP65, black handle

The delivery includes a black pistol type handle (I-O/ON - OFF indication), PE-terminal, grey enclosure. Fixed cable entries with C-flange entries. Entry plate fixing profiles are used also for mounting the safety switch. Auxiliary contacts are wired to the terminal blocks in sizes 200A...800A. Cover interlock and defeatable interlock included.

#### Cable entries from top and bottom

Max. motor output/ AC-23A 415V kW/A	Cable openings/side	Enclosure dimensions			Cover flanges included [pcs]	Type	Order number	Weight /unit kg
		Height mm	Width mm	Depth mm				
45/90	C-flange/C-flange	400	250	180	0	OT90GLCC3TZ	1SCA148204R1001	9.4
55/125		400	250	180	0	OT125GLCC3TZ	1SCA148212R1001	9.4

Knock-outs: 3x10mm, 12.5mm, 20.5mm, 25.5mm, 32.5mm

Auxiliary contacts included: 1NO+1NC • Auxiliary contacts max: 2NO+2NC

Knock-outs: 3x10mm, 12.5mm, 20.5mm, 25.5mm, 32.5mm								
Auxiliary contacts included: 2NO+1NC • Auxiliary contacts max: 2NO+1NC								
80/160	2xC-flange/ 2xC-flange	600	400	230	2	OT160EVLCC3TZ	1SCA148591R1001	19.41
110/200		600	400	230	2	OT200KLCC3TZ	1SCA022281R5420	21
132/250		600	400	230	2	OT250KLCC3TZ	1SCA022281R5690	21
160/315		600	400	230	2	OT315KLCC3TZ	1SCA022281R5850	21
220/400		800	400	230	2	OT400DLCC3TZ	1SCA022281R6070	27
315/570		1000	400	230	2	OT630KLCC3TZ	1SCA022340R2390	31
400/720	6xC-flange/ 6xC-flange	1000	400	230	2	OT800ELCC3TZ	1SCA022282R0700	31
400/720		1200	800	330	0	OT800EBCC3TZ	1SCA138016R1001	50
560/1000	6xC-flange	1200	800	330	8	OT1000BLCC3TZ	1SCA022340R3790	67
560/1000	3xC-flange/ 3xC-flange	1200	400	330	2	OT1000BBCC3TZ	1SCA022340R3360	63
710/1250	6xC-flange/ 6xC-flange	1200	800	330	8	OT1250ELCC3TZ	1SCA102769R1001	63

Compression glands or flanges to be ordered separately.

## Ordering information

### Steel sheet enclosed safety switches

#### Safety switches with C-flange cable entries, 3-pole, IP65, black handle

The delivery includes a black pistol type handle (I-O/ON - OFF indication), PE-terminal, grey enclosure. Fixed cable entries with C-flange entries. Entry plate fixing profiles are used also for mounting the safety switch. Auxiliary contacts are wired to the terminal blocks in sizes 200A...800A. Cover interlock and defeatable interlock included.



OT160EVAUC3TZ,  
OT200KAUC3TZ



OT630KBUC3TZ



OT1000BAUC3TZ,  
OT1250EAUC3TZ

#### Cable entries from bottom

Max. motor output/ AC-23A 415V kW/A	Cable openings/side	Enclosure dimensions			Cover flanges included [pcs]	Type	Order number	Weight /unit kg
		Height mm	Width mm	Depth mm				
Knock-outs: 10mm, 12.5mm, 20.5mm, 25.5mm Auxiliary contacts included: 1NO+1NC • Auxiliary contacts max: 2NO+2NC								
45/90		400	400	230	1	OT90GAUC3TZ	1SCA148434R1001	14.5
55/125		400	400	230	1	OT125GAUC3TZ	1SCA148440R1001	14.5
Knock-outs: 10mm, 12.5mm, 20.5mm, 25.5mm Auxiliary contacts included: 2NO+1NC • Auxiliary contacts max: 2NO+1NC								
80/160	Blank/ 2xC-flange	600	400	230	1	OT160EVAUC3TZ	1SCA147978R1001	21.91
110/200		600	400	230	1	OT200KAUC3TZ	1SCA022340R0930	23
132/200		800	400	230	1	OT250KAUC3TZ	1SCA022340R1310	27
160/315		800	400	230	1	OT315KAUC3TZ	1SCA022340R1740	27
220/400		800	400	230	1	OT400DAUC3TZ	1SCA022340R2120	30
Knock-outs: 2x10mm, 12.5mm, 20.5mm, 25.5mm, 32.5mm Auxiliary contacts included: 2NO+1NC • Auxiliary contacts max: 2NO+1NC								
315/570	Blank/4xC-flange	1000	800	230	2	OT630KAUC3TZ	1SCA022340R2550	50
315/570	Blank/3xC-flange	1000	400	330	1	OT630KBUC3TZ	1SCA022340R2980	48
400/720	Blank/4xC-flange	1000	800	230	2	OT800EAUC3TZ	1SCA022827R9790	50
560/ 1000 710/ 1250	Blank/6xC-flange	1200	800	330	3	OT1000BAUC3TZ	1SCA022340R4170	73
		1200	800	330	3	OT1250EAUC3TZ	1SCA103274R1001	73

Compression glands or flanges to be ordered separately.



## Ordering information

### Steel sheet enclosed safety switches



OTL16T4M



OTL25...36T4M



OTL63T4M



OTL75...90T4B



OTL16...36T4B

#### Safety switches, 4-pole, IP65, black handle

The delivery includes a black handle (I-O/ON-OFF), auxiliary contact 1NO and PE-terminal. Knock-out type cable openings included, cable outlets also for control cable. Compression glands and flanges have to be ordered separately, page 156. Grey enclosure, equipped with hinges and lock. Auxiliary contacts are wired to the terminal blocks in sizes 200A...800A. Cover interlock and defeatable interlock included.

##### Cable entries from top and bottom

Max. motor output/ AC-23A		Cable openings/side	Enclosure dimensions			Type	Order number	Weight /unit kg
415V kW/A	690V kW/A		Height mm	Width mm	Depth mm			

##### Selector handle

Auxiliary contacts included: 1NO • Auxiliary contacts max: 2NO+2NC

7,5/16	7,5/10	2xø25.5/2xø25.5	200	150	100	OTL16T4M	1SCA022613R0140	1.8
--------	--------	-----------------	-----	-----	-----	----------	-----------------	-----

Auxiliary contacts included: 1NO • Auxiliary contacts max: 2NO+1NC

15/30	15/20	2xø32.5+ø16.5/ 2xø32.5+ø16.5	200	150	100	OTL25T4M	1SCA022613R0220	2
22/45	15/20		200	150	100	OTL36T4M	1SCA022613R0310	2

##### Pistol handle

Auxiliary contacts included: 1NO • Auxiliary contacts max: 2NO+2NC

30/63	30/35	2xø32.5+ø16.5/ 2xø32.5+ø16.5	250	165	110	OTL63T4M	1SCA022613R0490	2.5
37/80	37/40		B-flange/B-flange	300	200	135	OTL75T4B	1SCA022546R0910
45/90	45/50	B-flange/B-flange	300	200	135	OTL90T4B	1SCA022546R1210	3.4

##### Cable entries from bottom

Max. motor output/ AC-23A		Cable openings/side	Enclosure dimensions			Type	Order number	Weight /unit kg
415V kW/A	690V kW/A		Height mm	Width mm	Depth mm			

##### Selector handle

Auxiliary contact included s: 1NO • Auxiliary contacts max: 2NO+2NC

7,5/16	7,5/10	Blank/B-flange	200	150	100	OTL16T4B	1SCA022580R5150	1.8
--------	--------	----------------	-----	-----	-----	----------	-----------------	-----

Auxiliary contact included s: 1NO • Auxiliary contacts max: 2NO+1NC

15/30	15/20	Blank/B-flange	200	150	100	OTL25T4B	1SCA022580R5310	2
22/45	15/20		200	150	100	OTL36T4B	1SCA022580R5400	2

##### Pistol handle

Auxiliary contacts included: 1NO • Auxiliary contacts max: 1NO+1NC

30/63	30/35	Blank/B-flange	200	150	100	OTL63T4B	1SCA022580R5580	2.1
-------	-------	----------------	-----	-----	-----	----------	-----------------	-----

Compression glands or flanges to be ordered separately.

## Ordering information

### Steel sheet enclosed safety switches

#### Safety switches with ring-flange cable entries, 4-pole, IP65, black handle

The delivery includes a black pistol handle (I-O/ON-OFF), PE-terminal and grey enclosure. Fixed divided cable entry with ring-flange entries. Entry plate fixing profiles are used also for mounting the safety switch. Auxiliary contacts are wired to the terminal blocks in sizes 200A...800A. Cover interlock and defeatable interlock included.



OT160EVLRR4TZ,  
OT200...315KLRR4TZ



OT400DLRR4TZ



OT200KAUR4TZ,  
OT315KAUR4TZ

#### Cable entries from top and bottom

Max. motor output/ AC-23A		Cable openings/side	Enclosure dimensions			Cover flanges included [pcs]	Type	Order number	Weight /unit kg
415V kW/A	690V kW/A		Height mm	Width mm	Depth mm				
80/160	144/160	4xring-flange/ 4xring-flange	600	400	230	6	OT160EVLRR4TZ	1SCA148599R1001	20.91
110/200	160/200		600	400	230	6	OT200KLRR4TZ	1SCA022461R5410	22
132/250	200/250		600	400	230	6	OT250KLRR4TZ	1SCA022461R5670	22
160/315	250/315		600	400	230	6	OT315KLRR4TZ	1SCA022461R5830	22
220/400	355/400		800	400	230	5	OT400DLRR4TZ	1SCA022461R6050	29
315/570	560/570		1000	400	230	4	OT630KLRR4TZ	1SCA022461R6210	33
400/720	710/720		1000	400	230	4	OT800ELRR4TZ	1SCA022828R1260	33

Knock-outs: 3x10mm, 12.5mm, 20.5mm, 25.5mm, 32.5mm

Auxiliary contacts included: 2NO+1NC • Auxiliary contacts max: 2NO+1NC

#### Cable entries from bottom

Max. motor output/ AC-23A		Cable openings/side	Enclosure dimensions			Cover flanges included [pcs]	Type	Order number	Weight /unit kg
415V kW/A	690V kW/A		Height mm	Width mm	Depth mm				
110/200	160/200	Blank/ 4xring-flange	600	400	230	2	OT200KAUR4TZ	1SCA022815R3510	23
110/200	200/250		800	400	230	2	OT250KAUR4TZ	1SCA022717R3910	27
160/315	250/315		600	400	230	2	OT315KAUR4TZ	1SCA022815R5630	22

Knock-outs: 3x10mm, 12.5mm, 20.5mm, 25.5mm, 32.5mm

Auxiliary contacts included: 2NO+1NC • Auxiliary contacts max: 2NO+1NC

Compression glands or flanges to be ordered separately.

## Ordering information

### Steel sheet enclosed safety switches



OT90...125GLCC4TZ

OT160EVLCC4TZ,  
OT200...315KLCC4TZ

OT400DLCC4TZ



OT800ELCC4TZ

OT200KAUC4TZ,  
OT315KAUC4TZ

#### Safety switches with C-flange cable entries, 4-pole, IP65, black handle

The delivery includes a black pistol handle (I-O/ON-OFF), PE-terminal and grey enclosure. Fixed cable entries with C-flange entries. Entry plate fixing profiles are used also for mounting the safety switch. Auxiliary contacts are wired to the terminal blocks in sizes 200A...800A. Cover interlock and defeatable interlock included.

##### Cable entries from top and bottom

Max. motor output/ AC-23A		Cable openings/side	Enclosure dimensions			Cover flanges included [pcs]	Type	Order number	Weight /unit kg
415V kW/A	690V kW/A		Height mm	Width mm	Depth mm				
45/90	75/90	C-flange/C-flange	400	250	180	0	OT90GLCC4TZ	1SCA148208R1001	9.6
55/125	110/125		400	250	180	0	OT125GLCC4TZ	1SCA148214R1001	9.6
80/160	144/160	2xC-flange/ 2xC-flange	600	400	230	2	OT160EVLCC4TZ	1SCA148597R1001	20.91

Knock-outs: 9.5mm, 10mm, 12.5mm, 20.5mm, 25.5mm

Auxiliary contacts included: 1NO+1NC • Auxiliary contacts max: 2NO+2NC

Knock-outs: 9.5mm, 10mm, 12.5mm, 20.5mm, 25.5mm

Auxiliary contacts included: 2NO+1NC • Auxiliary contacts max: 2NO+1NC

110/200	160/200	2xC-flange/ 2xC-flange	600	400	230	2	OT200KLCC4TZ	1SCA022461R5320	22
132/250	200/250		600	400	230	2	OT250KLCC4TZ	1SCA022461R5590	22
160/315	250/315		600	400	230	2	OT315KLCC4TZ	1SCA022461R5750	22
220/400	355/400		800	400	230	2	OT400DLCC4TZ	1SCA022461R5910	29
315/570	560/570		1000	400	230	2	OT630KLCC4TZ	1SCA022461R6130	33
400/720	710/720		1000	400	230	2	OT800ELCC4TZ	1SCA022828R1420	33

##### Cable entries from bottom

Max. motor output/ AC-23A		Cable openings/side	Enclosure dimensions			Cover flanges included [pcs]	Type	Order number	Weight /unit kg
415V kW/A	690V kW/A		Height mm	Width mm	Depth mm				
110/200	160/200	Blank/ 2xC-flange	600	400	230	1	OT200KAUC4TZ	1SCA022815R9620	25
110/200	200/250		800	400	230	1	OT250KAUC4TZ	1SCA022816R0390	27
160/315	250/315		600	400	230	1	OT315KAUC4TZ	1SCA022815R8060	27

Knock-outs: 10mm, 12.5mm, 20.5mm, 25.5mm, 32.5mm

Auxiliary contacts included: 2NO+1NC • Auxiliary contacts max: 2NO+1NC

Compression glands or flanges to be ordered separately.

## Ordering information

### Steel sheet enclosed safety switches

#### Safety switches, 6-pole, IP65, black handle

The delivery includes a black handle (I-O/ON-OFF), PE-terminal and auxiliary contact 1NO. Knock-out type cable openings included, cable outlets also for control cable. Cable entries from top and bottom. Grey enclosure, equipped with hinges and lock. Cover interlock and defeatable interlock included.



OTL16T6M



OTL25...36T6M



OTL25...36T6B



OTL75...90T6B



OTL75...90T6U



OTL16T6B

#### Cable entries from top and bottom

Max. motor output/ AC-23A		Cable openings/side	Enclosure dimensions			Type	Order number	Weight /unit kg
415V kW/A	690V kW/A		Height mm	Width mm	Depth mm			
7,5/16	7,5/10	2xø25.5	200	150	100	OTL16T6M	1SCA022613R0570	1.8

#### Selector handle

Auxiliary contacts included: 1NO • Auxiliary contacts max: 2NO+2NC

7,5/16	7,5/10	2xø25.5	200	150	100	OTL16T6M	1SCA022613R0570	1.8
--------	--------	---------	-----	-----	-----	----------	-----------------	-----

#### Pistol handle

Auxiliary contacts included: 1NO • Auxiliary contacts max: 1NO+1NC

15/30	15/20	2xø32.5+ø16.5	250	165	110	OTL25T6M	1SCA022613R0650	2.5
15/30	15/20	B-flange/B-flange	250	165	110	OTL25T6B	1SCA022580R8090	3.4
22/45	15/20	2xø32.5+ø16.5/ 2xø32.5+ø16.5	250	165	110	OTL36T6M	1SCA022613R0730	2.5
22/45	15/20	B-flange/B-flange	250	165	110	OTL36T6B	1SCA022580R8170	3.2

Auxiliary contacts included: 1NO • Auxiliary contacts max: 1NO

37/80	37/40	B-flange/B-flange	300	200	135	OTL75T6B	1SCA022546R1040	3.6
37/80	37/40	Blank/Blank	300	200	135	OTL75T6U	1SCA022730R9160	3.6
45/90	45/50	B-flange/B-flange	300	200	135	OTL90T6B	1SCA022546R1390	3.6
45/90	45/50	Blank/Blank	300	200	135	OTL90T6U	1SCA022730R9240	3.6

#### Cable entries from bottom

Max. motor output/ AC-23A		Cable openings/side	Enclosure dimensions			Type	Order number	Weight /unit kg
415V kW/A	690V kW/A		Height mm	Width mm	Depth mm			
7,5/16	7,5/10	Blank/B-flange	200	150	100	OTL16T6B	1SCA022580R5230	1.8

#### Selector handle

Auxiliary contacts included: 1NO • Auxiliary contacts max: 2NO+2NC

7,5/16	7,5/10	Blank/B-flange	200	150	100	OTL16T6B	1SCA022580R5230	1.8
--------	--------	----------------	-----	-----	-----	----------	-----------------	-----

Compression glands or flanges to be ordered separately.

## Ordering information

### Steel sheet enclosed safety switches



OT160EVLRR6TZ,  
OT160EVTRR6TZ,  
OT200KLRR6TZ



OT250...315KLRR6TZ,  
OT400DLRR6TZ



OT90...125GAUR6TZ



OT160EVAUR6TZ,  
OT200KAUR6TZ



OT250...315KAUR6TZ,  
OT400DAUR6TZ



OT630KAUR6TZ

#### Safety switches with ring-flange cable entries, 6-pole, IP65, black handle

The delivery includes a black pistol handle(I-O/ON-OFF), PE-terminal and grey enclosure. Fixed cable entry with ring-flange entries. Entry plate fixing profiles are used also for mounting the safety switch. Auxiliary contacts are wired to the terminal blocks in sizes 200A...800A. Cover interlock and defeatable interlock included.

##### Cable entries from top and bottom

Max. motor output/ AC-23A		Cable openings/ side	Enclosure dimensions			Cover flanges included [pcs]	Type	Order number	Weight /unit kg
415V kW/A	690V kW/A		Height mm	Width mm	Depth mm				
45/90	75/90	4xring-flange/ 4xring-flange	400	400	230	4	OT90GLRR6TZ	1SCA148475R1001	16.4
55/125	110/125		400	400	230	4	OT125GLRR6TZ	1SCA148479R1001	16.4
55/125	110/125		400	400	230	4	OT125GTRR6TZ	1SCA148602R1001	16.4

Knock-outs: 3x10mm, 12.5mm, 20.5mm, 25.5mm, 32.5mm

Auxiliary contacts included: 2NO • Auxiliary contacts max: 2NO+2NC

80/160	144/160	8xring-flange/ 8xring-flange	600	800	230	12	OT160EVLRR6TZ	1SCA148019R1001	37
80/160	144/160		600	800	230	12	OT160EVTRR6TZ	1SCA148027R1001	37
110/200	160/200		600	800	230	12	OT200KLRR6TZ	1SCA022340R5730	37
132/250	200/250		800	800	230	8	OT250KLRR6TZ	1SCA022338R7490	42
160/315	250/315		800	800	230	8	OT315KLRR6TZ	1SCA022338R7810	42
220/400	355/400		800	800	230	8	OT400DLRR6TZ	1SCA022338R8200	45
315/570	560/570		1000	800	230	8	OT630KLRR6TZ	1SCA022338R8620	54
400/720	710/720		1000	800	230	8	OT800ELRR6TZ	1SCA022827R8470	54

Knock-outs: 3x10mm, 12.5mm, 20.5mm, 25.5mm, 32.5mm

Auxiliary contacts included: 4NO+2NC • Auxiliary contacts max: 4NO+2NC

##### Cable entries from bottom

Max. motor output/ AC-23A		Cable openings/ side	Enclosure dimensions			Cover flanges included [pcs]	Type	Order number	Weight /unit kg
415V kW/A	690V kW/A		Height mm	Width mm	Depth mm				
45/90	75/90	Blank/	600	400	230	4	OT90GAUR6AZ	1SCA148493R1001	21.31
55/125	110/125	4xring-flange	600	400	230	4	OT125GAUR6TZ	1SCA148497R1001	21.31
80/160	144/160	8xring-flange	600	800	230	4	OT160EVAUR6TZ	1SCA147988R1001	39
110/200	160/200		600	800	230	4	OT200KAUR6TZ	1SCA022339R0010	39
132/250	200/250		800	800	230	4	OT250KAUR6TZ	1SCA022360R2560	45
160/315	250/315		800	800	230	2	OT315KAUR6TZ	1SCA022360R2720	45
220/400	355/400		800	800	230	2	OT400DAUR6TZ	1SCA022360R2990	48
315/570	560/570		1000	800	330	2	OT630KAUR6TZ	1SCA022460R9940	85

Knock-outs: 3x10mm, 12.5mm, 20.5mm, 25.5mm, 32.5mm

Auxiliary contacts included: 2NO+2NC • Auxiliary contacts max: 2NO+2NC

Knock-outs: 9.5mm, 10mm, 12.5mm, 20.5mm, 25.5mm, 32.5mm

Auxiliary contacts included: 4NO+2NC • Auxiliary contacts max: 4NO+2NC

Compression glands or flanges to be ordered separately.

## Ordering information

### Steel sheet enclosed safety switches



OT90GLCC6TZ,  
OT125GLCC6TZ



OT160EVLCC6TZ,  
OT200KLCC6TZ



OT250...315KLCC6TZ,  
OT400DLCC6TZ



OT630KLCC6TZ,  
OT800ELCC6TZ



OT90GAUC6TZ



OT160EVAUC6TZ,  
OT200KAUC6TZ



OT250...315KAUC6TZ,  
OT400DAUC6TZ



OT630KAUC6TZ

#### Safety switches with C-flange cable entries, 6-pole, IP65, black handle

The delivery includes a black pistol handle (I-O/ON-OFF), PE-terminal and grey enclosure. Fixed cable entries with C-flange entries. Entry plate fixing profiles are used also for mounting the safety switch. Auxiliary contacts are wired to the terminal blocks in sizes 200A...800A. Cover interlock and defeatable interlock included.

#### Cable entries from top and bottom

Max. motor output/ AC-23A		Cable openings/side	Enclosure dimensions			Cover flanges included [pcs]	Type	Order number	Weight /unit kg
415V kW/A	690V kW/A		Height mm	Width mm	Depth mm				
45/90	75/90	2xC-flange/ 2xC-flange	400	400	230	2	OT90GLCC6TZ	1SCA148473R1001	16.4
55/125	110/125		400	400	230	2	OT125GLCC6TZ	1SCA148477R1001	16.4

Knock-outs: 9.5mm, 10mm, 12.5mm, 20.5mm, 25.5mm

Auxiliary contacts included: 2NO • Auxiliary contacts max: 2NO+2NC

Max. motor output/ AC-23A		Cable openings/side	Enclosure dimensions			Cover flanges included [pcs]	Type	Order number	Weight /unit kg
415V kW/A	690V kW/A		Height mm	Width mm	Depth mm				
80/160	144/160	4xC-flange/ 4xC-flange	600	800	230	4	OT160EVLCC6TZ	1SCA148017R1001	37
110/200	160/200		600	800	230	4	OT200KLCC6TZ	1SCA022338R7220	37
132/250	200/250		800	800	230	4	OT250KLCC6TZ	1SCA022338R7650	42
160/315	250/315		800	800	230	4	OT315KLCC6TZ	1SCA022338R8030	42
220/400	355/400		800	800	230	4	OT400DLCC6TZ	1SCA022338R8460	45
315/570	560/570		1000	800	230	4	OT630KLCC6TZ	1SCA022338R8890	54
400/720	710/720	1000	800	230	4	OT800ELCC6TZ	1SCA022828R2230	54	

Knock-outs: 2x10mm, 12.5mm, 20.5mm, 25.5mm, 32.5mm

Auxiliary contacts included: 4NO+2NC • Auxiliary contacts max: 4NO+2NC

#### Cable entries from bottom

Max. motor output/ AC-23A		Cable openings/side	Enclosure dimensions			Cover flanges included [pcs]	Type	Order number	Weight /unit kg
415V kW/A	690V kW/A		Height mm	Width mm	Depth mm				
45/90	75/90	Blank/ 2xC-flange	600	400	230	1	OT90GAUC6TZ	1SCA148491R1001	21.31
55/125	110/125	Blank/ 2xC-flange	600	400	230	1	OT125GAUC6TZ	1SCA148495R1001	21.3

Knock-outs: 9.5mm, 10mm, 12.5mm, 20.5mm, 25.5mm

Auxiliary contacts included: 2NO • Auxiliary contacts max: 2NO+2NC

Auxiliary contacts included: 1NO+1NC • Auxiliary contacts max: 2NO+2NC

Max. motor output/ AC-23A		Cable openings/side	Enclosure dimensions			Cover flanges included [pcs]	Type	Order number	Weight /unit kg
415V kW/A	690V kW/A		Height mm	Width mm	Depth mm				
80/160	144/160	Blank/4xC-flange	600	800	230	2	OT160EVAUC6TZ	1SCA147986R1001	39
110/200	160/200		600	800	230	2	OT200KAUC6TZ	1SCA022339R0280	39
132/250	200/250		800	800	230	2	OT250KAUC6TZ	1SCA022360R2640	45
160/315	250/315		800	800	230	1	OT315KAUC6TZ	1SCA022360R2810	45
220/400	355/400		800	800	230	1	OT400DAUC6TZ	1SCA022360R3020	48

Knock-outs: 9.5mm, 3x10mm, 12.5mm, 2x20.5mm, 2x25.5mm, 2x32.5mm

Auxiliary contacts included: 4NO+2NC • Auxiliary contacts max: 4NO+2NC

315/570	560/570	Blank/ 6xC-flange	1000	800	330	2	OT630KAUC6TZ	1SCA022460R9860	85
---------	---------	----------------------	------	-----	-----	---	--------------	-----------------	----

Compression glands or flanges to be ordered separately.

## Ordering information

### Steel sheet enclosed safety switches

#### Safety switches, 3-pole, IP65, red-yellow handle

The delivery includes a red-yellow handle (I-O/ON-OFF), auxiliary contact 1NO and PE-terminal. Knock-out type cable openings included, cable outlets also for control cable. Grey enclosure, equipped with hinges and lock. Cover interlock and defeatable interlock included.



OTL16...36A3M



OTL63A3M



OTL75...90A3B



OTL75...90A3U



OTL16...36A3B

#### Cable entries from top and bottom

Max. motor output/ AC-23A		Cable openings/side	Enclosure dimensions			Type	Order number	Weight /unit kg
415V kW/A	690V kW/A		Height mm	Width mm	Depth mm			
7,5/16	7,5/10	2xø25.5/2xø25.5	200	150	100	OTL16A3M	1SCA022612R8750	1.7

#### Selector handle

Auxiliary contacts included: 1NO • Auxiliary contacts max: 2NO+2NC

15/30	15/20	2xø32.5+ø16.5/2xø32.5+ø16.5	200	150	100	OTL25A3M	1SCA022612R8830	1.9
22/45	15/20	2xø32.5+ø16.5	200	150	100	OTL36A3M	1SCA022612R8910	1.9

#### Pistol handle

Auxiliary contacts included: 1NO • Auxiliary contacts max: 2NO+2NC

30/63	30/35	2xø32.5+ø16.5/2xø32.5+ø16.5	250	165	110	OTL63A3M	1SCA022612R9050	2.4
37/80	37/40	B-flange/B-flange	300	200	135	OTL75A3B	1SCA022555R7580	3.3
37/80	37/40	Blank/Blank	300	200	135	OTL75A3U	1SCA022707R7610	3.3
45/90	45/50	B-flange/B-flange	300	200	135	OTL90A3B	1SCA022555R7820	3.3
45/90	45/50	Blank/Blank	300	200	135	OTL90A3U	1SCA022707R7790	3.3

#### Cable entries from bottom

Max. motor output/ AC-23A		Cable openings/side	Enclosure dimensions			Type	Order number	Weight /unit kg
415V kW/A	690V kW/A		Height mm	Width mm	Depth mm			
7,5/16	7,5/10	Blank/B-flange	200	150	100	OTL16A3B	1SCA022575R1630	1.7

#### Selector handle

Auxiliary contacts included: 1NO • Auxiliary contacts max: 2NO+2NC

15/30	15/20	Blank/B-flange	200	150	100	OTL25A3B	1SCA022575R1710	1.9
22/45	15/20	Blank/B-flange	200	150	100	OTL36A3B	1SCA022575R1800	1.9

#### Pistol handle

Auxiliary contacts included: 1NO • Auxiliary contacts max: 2NO+1NC

30/63	30/35	Blank/B-flange	200	150	100	OTL63A3B	1SCA022575R1980	2.0
-------	-------	----------------	-----	-----	-----	----------	-----------------	-----

Compression glands or flanges to be ordered separately.

## Ordering information

### Steel sheet enclosed safety switches



OT160EVLRR3AZ,  
OT200...315KLRR3AZ



OT400DLRR3AZ



OT630KLRR3AZ,  
OT800ELRR3AZ



OT1000BLRR3AZ,  
OT1250ELRR3AZ



OT1000BBRR3AZ



OT90...125GAUR3AZ



OT160EVAUR3AZ,  
OT200KAUR3AZ



OT250...315KAUR3AZ,  
OT400DAUR3AZ



OT1000BAUR3AZ,  
OT1250EAUR3AZ

### Safety switches with ring-flange cable entries, 3-pole, IP65, red-yellow handle

The delivery includes a red-yellow pistol handle (I-O/ON-OFF), PE-terminal and grey enclosure. Fixed cable entry with ring-flange entries. Entry plate fixing profiles are used also for mounting the safety switch. Auxiliary contacts are wired to the terminal blocks in sizes 200A...800A. Cover interlock and defeatable interlock included.

#### Cable entries from top and bottom

Max. motor output/ AC-23A		Cable openings/side	Enclosure dimensions			Cover flanges included [pcs]	Type	Order number	Weight /unit kg
415V kW/A	690V kW/A		Height mm	Width mm	Depth mm				
80/160	144/160	4xring-flange/ 4xring-flange	600	400	230	6	OT160EVLRR3AZ	1SCA148593R1001	19.41
110/200	160/200		600	400	230	6	OT200KLRR3AZ	1SCA022512R7310	21
132/250	200/250		600	400	230	6	OT250KLRR3AZ	1SCA022512R7490	21
160/315	250/315		600	400	230	6	OT315KLRR3AZ	1SCA022512R7570	21
220/400	355/400		800	400	230	5	OT400DLRR3AZ	1SCA022512R7650	27
315/570	560/570		1000	400	230	4	OT630KLRR3AZ	1SCA022512R7730	31
400/720	710/720		1000	400	230	4	OT800ELRR3AZ	1SCA022828R1180	31
560/1000	1000/1000		1200	400	330	2	OT1000BBRR3AZ	1SCA102815R1001	63
560/1000	1000/1000	8xring-flange/ 8xring-flange	1200	800	330	10	OT1000BLRR3AZ	1SCA022512R7810	66
710/1250	1200/1250		1200	800	330	10	OT1250ELRR3AZ	1SCA102772R1001	66
1250/1250	1250/1250		1200	800	330	10	OT1250ELRR3AZ	1SCA102772R1001	66

Knock-outs: 3x10mm, 12.5mm, 20.5mm, 25.5mm, 32.5mm

Auxiliary contacts included: 2NO+1NC • Auxiliary contacts max: 2NO+1NC

#### Cable entries from bottom

Max. motor output/ AC-23A		Cable openings/side	Enclosure dimensions			Cover flanges included [pcs]	Type	Order number	Weight /unit kg
415V kW/A	690V kW/A		Height mm	Width mm	Depth mm				
45/90	75/90	Blank/4xring-flange	400	400	230	4	OT90GAUR3AZ	1SCA148435R1001	14.8
55/125	110/125		400	400	230	4	OT125GAUR3AZ	1SCA148441R1001	14.8
80/160	144/160	Blank/ 4xring-flange	600	400	230	2	OT160EVAUR3AZ	1SCA147979R1001	21.91
110/200	160/200		600	400	230	2	OT200KAUR3AZ	1SCA022513R1090	23
132/250	200/250		800	400	230	2	OT250KAUR3AZ	1SCA022513R1170	27
160/315	250/315		800	400	230	2	OT315KAUR3AZ	1SCA022513R1250	27
220/400	355/400		800	400	230	2	OT400DAUR3AZ	1SCA022513R1330	30
315/570	560/570	Blank/ 8xring-flange	1000	400	330	0	OT630KBUR3AZ	1SCA022542R6720	48
315/570	560/570		1000	800	230	4	OT630KAUR3AZ	1SCA022513R1410	50
400/720	710/720		1000	800	230	4	OT800EAUR3AZ	1SCA022828R0020	50
560/1000	1000/1000		1200	800	330	2	OT1000BAUR3AZ	1SCA022513R1500	73
710/1250	1200/1250		1200	800	330	2	OT1250EAUR3AZ	1SCA103275R1001	73

Knock-outs: 3x10mm, 12.5mm, 20.5mm, 25.5mm, 32.5mm

Auxiliary contacts included: 1NO+1NC • Auxiliary contacts max: 2NO+2NC

Knock-outs: 3x10mm, 12.5mm, 20.5mm, 25.5mm, 32.5mm

Auxiliary contacts included: 2NO+1NC • Auxiliary contacts max: 2NO+1NC

Knock-outs: 10mm, 12.5mm, 20.5mm, 25.5mm, 32.5mm

Auxiliary contacts included: 2NO+1NC • Auxiliary contacts max: 2NO+1NC

Compression glands or flanges to be ordered separately.



## Ordering information

### Steel sheet enclosed safety switches

#### Safety switches with C-flange cable entries, 3-pole, IP65, red-yellow handle

The delivery includes a red-yellow pistol handle (I-O/ON-OFF), PE-terminal and grey enclosure. Fixed cable entries with C-flange entries. Entry plate fixing profiles are used also for mounting the safety switch. Auxiliary contacts are wired to the terminal blocks in sizes 200A...800A. Cover interlock and defeatable interlock included.

##### Cable entries from top and bottom



OT90...125GLCC3AZ

OT160EVLCC3AZ,  
OT200...315KLCC3AZ

OT400DLCC3AZ

OT1000BLCC3AZ,  
OT1250ELCC3AZ

Max. motor output/ AC-23A		Cable openings/side	Enclosure dimensions			Cover flanges included [pcs]	Type	Order number	Weight /unit kg
415V kW/A	690V kW/A		Height mm	Width mm	Depth mm				
45/90	75/90	C-flange/C-flange	400	250	180	0	OT90GLCC3AZ	1SCA148203R1001	9.4
55/125	110/125		400	250	180	0	OT125GLCC3AZ	1SCA148211R1001	9.4

Knock-outs: 9.5mm, 10mm, 12.5mm, 20.5mm, 25.5mm

Auxiliary contacts included: 1NO+1NC • Auxiliary contacts max: 2NO+2NC

Knock-outs: 9.5mm, 10mm, 12.5mm, 20.5mm, 25.5mm

Auxiliary contacts included: 2NO+1NC • Auxiliary contacts max: 2NO+1NC

80/160	144/160	2xC-flange/ 2xC-flange	600	400	230	2	OT160EVLCC3AZ	1SCA148590R1001	19.41
110/200	160/200		600	400	230	2	OT200KLCC3AZ	1SCA022512R6330	21
132/250	200/250		600	400	230	2	OT250KLCC3AZ	1SCA022512R6410	21
160/315	250/315		600	400	230	2	OT315KLCC3AZ	1SCA022512R6500	21
220/400	355/400		800	400	230	2	OT400DLCC3AZ	1SCA022512R6680	27
315/570	560/570		1000	400	230	2	OT630KLCC3AZ	1SCA022512R6760	31
400/720	710/720		1000	400	230	2	OT800ELCC3AZ	1SCA022828R1000	31
560/1000	1000/1000	3xC-flange/3xC-flange	1200	400	330	2	OT1000BCC3AZ	1SCA022512R6920	63
560/1000	1000/1000	6xC-flange/6xC-flange	1200	800	330	8	OT1000BLCC3AZ	1SCA022512R6840	67
710/1250	1200/1250		1200	800	330	8	OT1250ELCC3AZ	1SCA102768R1001	67

##### Cable entries from bottom



OT90...125GAUC3AZ

OT160EVAUC3AZ,  
OT200KAUC3AZ

OT250KAUC3AZ



OT630KBUC3AZ

OT1000BAUC3AZ,  
OT1250EAUC3AZ

Max. motor output/ AC-23A		Cable openings/side	Enclosure dimensions			Cover flanges included [pcs]	Type	Order number	Weight /unit kg
415V kW/A	690V kW/A		Height mm	Width mm	Depth mm				
45/90	75/90	Blank/2xC-flange	400	400	230	1	OT90GAUC3AZ	1SCA148433R1001	14.5
55/125	110/125		400	400	230	1	OT125GAUC3AZ	1SCA148439R1001	14.5

Knock-outs: 9.5mm, 10mm, 12.5mm, 20.5mm, 25.5mm

Auxiliary contacts included: 1NO+1NC • Auxiliary contacts max: 2NO+2NC

Knock-outs: 9.5mm, 10mm, 12.5mm, 20.5mm, 25.5mm

Auxiliary contacts included: 2NO+1NC • Auxiliary contacts max: 2NO+1NC

80/160	144/160	Blank/2xC-flange	600	400	230	1	OT160EVAUC3AZ	1SCA147977R1001	21.91
110/200	160/200		600	400	230	1	OT200KAUC3AZ	1SCA022513R0010	23
132/200	200/250		800	400	230	1	OT250KAUC3AZ	1SCA022513R0100	27
160/315	250/315		800	400	230	1	OT315KAUC3AZ	1SCA022513R0280	27
220/400	355/400		800	400	230	1	OT400DAUC3AZ	1SCA022513R0360	30

Knock-outs: 2x10mm, 12.5mm, 20.5mm, 25.5mm, 32.5mm

Auxiliary contacts included: 2NO+1NC • Auxiliary contacts max: 2NO+1NC

315/570	560/570	Blank/3xC-flange	1000	400	330	1	OT630KBUC3AZ	1SCA022513R0520	48
315/570	560/570	Blank/4xC-flange	1000	800	230	2	OT630KAUC3AZ	1SCA022513R0440	50
400/720	710/720		1000	800	230	2	OT800EAUC3AZ	1SCA022827R9950	50
560/1000	1000/1000	Blank/6xC-flange	1200	800	330	3	OT1000BAUC3AZ	1SCA022513R0610	73
710/1250	1200/1250		1200	800	330	3	OT1250EAUC3AZ	1SCA103279R1001	73

Compression glands or flanges to be ordered separately.

## Ordering information

### Steel sheet enclosed safety switches



OT90GLUU3AZ



OT200...250KLUU3AZ



OT400DLUU3AZ



OT1000BLUU3AZ

#### Safety switches with blank cable entries, 3-pole, IP65, red-yellow handle

The delivery includes a red-yellow pistol handle (I-O/ON-OFF), PE-terminal and grey enclosure. Blank cable entries. Auxiliary contacts are wired to the terminal blocks in sizes 200A...800A. Cover interlock and defeatable interlock included.

#### Cable entries from top and bottom

Max. motor output/ AC-23A		Cable openings/side	Enclosure dimensions			Type	Order number	Weight /unit kg
415V kW/A	690V kW/A		Height mm	Width mm	Depth mm			
Auxiliary contacts included: 1NO+1NC • Auxiliary contacts max: 2NO+2NC								
45/90	75/90	Blank/Blank	400	250	180	OT90GLUU3AZ <sup>1)</sup>	1SCA148206R1001	9.4
Auxiliary contacts included: 2NO+1NC • Auxiliary contacts max: 2NO+1NC								
110/200	160/200	Blank/Blank	600	400	230	OT200KLUU3AZ	1SCA022549R2190	30
132/250	200/250		600	400	230	OT250KLUU3AZ	1SCA022549R2270	21
220/400	355/400		800	400	230	OT400DLUU3AZ	1SCA022549R2430	27
315/570	560/570		1000	400	230	OT630KLUU3AZ	1SCA022549R2510	31
560/1000	1000/1000		1200	800	330	OT1000BLUU3AZ	1SCA022549R2600	66

Compression glands or flanges to be ordered separately.

<sup>1)</sup> Knock-outs 10, 12.5, 20.5, 25.5, 32.5, 40.5 mm

## Ordering information

### Steel sheet enclosed safety switches



OTL16A4M



OTL25...36A4M



OTL75...90A4B



OTL16...36A4B



OTL63A4B

#### Safety switches, 4-pole, IP65, red-yellow handle

The delivery includes a red-yellow handle (I-O/ON-OFF), auxiliary contact 1NO and PE-terminal. Knock-out type cable openings included, cable outlets also for control cable. Grey enclosure, equipped with hinges and lock. Cover interlock and defeatable interlock included.

##### Cable entries from top and bottom

Max. motor output/ AC-23A		Cable openings/side	Enclosure dimensions			Type	Order number	Weight /unit kg
415V kW/A	690V kW/A		Height mm	Width mm	Depth mm			

##### Selector handle

Auxiliary contacts included: 1NO • Auxiliary contacts max: 2NO+2NC

7,5/16	7,5/10	2xø25.5/2xø25.5	200	150	100	OTL16A4M	1SCA022612R9130	1.8
--------	--------	-----------------	-----	-----	-----	----------	-----------------	-----

Auxiliary contacts included: 1NO • Auxiliary contacts max: 2NO+1NC

15/30	15/20	2xø32.5+ø16.5/ 2xø32.5+ø16.5	200	150	100	OTL25A4M	1SCA022612R9210	2
22/45	15/20		200	150	100	OTL36A4M	1SCA022612R9300	2

##### Pistol handle

Auxiliary contacts included: 1NO • Auxiliary contacts max: 2NO+2NC

30/63	30/35	2xø32.5+ø16.5/ 2xø32.5+ø16.5	250	165	110	OTL63A4M	1SCA022612R9480	2.5
37/80	37/40		B-flange/B-flange	300	200	135	OTL75A4B	1SCA022555R7660
45/90	45/50	300		200	135	OTL90A4B	1SCA022555R7910	3.4

##### Cable entries from bottom

Max. motor output/ AC-23A		Cable openings/side	Enclosure dimensions			Type	Order number	Weight /unit kg
415V kW/A	690V kW/A		Height mm	Width mm	Depth mm			

##### Selector handle

Auxiliary contacts included: 1NO • Auxiliary contacts max: 2NO+2NC

7,5/16	7,5/10	Blank/B-flange	200	150	100	OTL16A4B	1SCA022745R7010	1.7
--------	--------	----------------	-----	-----	-----	----------	-----------------	-----

Auxiliary contacts included: 1NO • Auxiliary contacts max: 2NO+1NC

15/30	15/20	Blank/B-flange	200	150	100	OTL25A4B	1SCA022745R7190	2
22/45	15/20		200	150	100	OTL36A4B	1SCA022745R7270	2

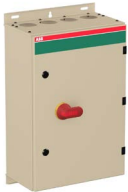
Auxiliary contacts included: 1NO • Auxiliary contacts max: 1NO+1NC

30/63	30/35	Blank/B-flange	200	150	100	OTL63A4B	1SCA022745R7350	2.1
-------	-------	----------------	-----	-----	-----	----------	-----------------	-----

Compression glands or flanges to be ordered separately.

## Ordering information

### Steel sheet enclosed safety switches



OT160EVLRR4AZ,  
OT200...315KLRR4AZ



OT400DLRR4AZ



OT630KLRR4AZ,  
OT800ELRR4AZ



OT200KAUR4AZ



OT250...315KAUR4AZ

#### Safety switches with ring-flange cable entries, 4-pole, IP65, red-yellow handle

The delivery includes a red-yellow pistol type handle (I-O/ON-OFF), PE-terminal and grey enclosure. Fixed cable entry with ring-flange entries. Entry plate fixing profiles are used also for mounting the safety switch. Auxiliary contacts are wired to the terminal blocks in sizes 200A...800A. Cover interlock and defeatable interlock included.

#### Cable entries from top and bottom

Max. motor output/ AC-23A		Cable openings/side	Enclosure dimensions			Cover flanges included [pcs]	Type	Order number	Weight /unit kg
415V kW/A	690V kW/A		Height mm	Width mm	Depth mm				
80/160	144/160	4xring-flange/ 4xring-flange	600	400	230	4	OT160EVLRR4AZ	1SCA148598R1001	20.91
110/200	160/200		600	400	230	6	OT200KLRR4AZ	1SCA022542R6990	22
132/250	200/250		600	400	230	6	OT250KLRR4AZ	1SCA022542R7020	22
160/315	250/315		600	400	230	6	OT315KLRR4AZ	1SCA022542R7110	22
220/400	355/400		800	400	230	5	OT400DLRR4AZ	1SCA022542R7290	29
315/570	560/570		1000	400	230	4	OT630KLRR4AZ	1SCA022542R7450	33
400/720	710/720		1000	400	230	4	OT800ELRR4AZ	1SCA022828R1690	33

Knock-outs: 3x10mm, 12.5mm, 20.5mm, 25.5mm, 32.5mm

Auxiliary contacts included: 2NO+1NC • Auxiliary contacts max: 2NO+1NC

#### Cable entries from bottom

Max. motor output/ AC-23A		Cable openings/side	Enclosure dimensions			Cover flanges included [pcs]	Type	Order number	Weight /unit kg
415V kW/A	690V kW/A		Height mm	Width mm	Depth mm				
110/200	160k/200	Blank/4xring-flange	600	400	230	2	OT200KAUR4AZ	1SCA022815R9710	23
110/200	200/250		800	400	230	2	OT250KAUR4AZ	1SCA022816R0470	27
160/315	250/315		800	400	230	2	OT315KAUR4AZ	1SCA022816R0980	27

Knock-outs: 3x10mm, 12.5mm, 20.5mm, 25.5mm, 32.5mm

Auxiliary contacts included: 2NO+1NC • Auxiliary contacts max: 2NO+1NC

Compression glands or flanges to be ordered separately.

## Ordering information

### Steel sheet enclosed safety switches



OT90...125GLCC4AZ

OT160EVLC4AZ,  
OT200...315KLCC4AZ

OT400DLCC4AZ



OT250...315KAUC4AZ

#### Safety switches with C-flange cable entries, 4-pole, IP65, red-yellow handle

The delivery includes a red-yellow pistol type handle (I-O/ON-OFF), PE-terminal and grey enclosure. Fixed cable entries with C-flange entries. Entry plate fixing profiles are used also for mounting the safety switch. Auxiliary contacts are wired to the terminal blocks in sizes 200A...800A. Cover interlock and defeatable interlock included.

##### Cable entries from top and bottom

Max. motor output/ AC-23A		Cable openings/side	Enclosure dimensions			Cover flanges included [pcs]	Type	Order number	Weight /unit kg
415V kW/A	690V kW/A		Height mm	Width mm	Depth mm				
45/90	75/90	C-flange/C-flange	400	250	180	0	OT90GLCC4AZ	1SCA148205R1001	9.6
55/125	110/125	C-flange/C-flange	400	250	180	0	OT125GLCC4AZ	1SCA148213R1001	9.6

Knock-outs: 9.5mm, 10mm, 12.5mm, 20.5mm, 25.5mm

Auxiliary contacts included: 1NO • Auxiliary contacts max: 2NO+2NC

Knock-outs: 9.5mm, 10mm, 12.5mm, 20.5mm, 25.5mm  
Auxiliary contacts included: 2NO+1NC • Auxiliary contacts max: 2NO+1NC

80/160	144/160	2xC-flange/2xC-flange	600	400	230	2	OT160EVLC4AZ	1SCA148592R1001	20.91
110/200	160/200		600	400	230	2	OT200KLCC4AZ	1SCA022542R8260	22
132/250	200/250		600	400	230	2	OT250KLCC4AZ	1SCA022542R8340	22
160/315	250/315		600	400	230	2	OT315KLCC4AZ	1SCA022542R8690	22
220/400	355/400		800	400	230	2	OT400DLCC4AZ	1SCA022542R8770	29
315/570	560/570		1000	400	230	2	OT630KLCC4AZ	1SCA022542R8850	33
400/720	710/720		1000	400	230	2	OT800ELCC4AZ	1SCA022828R1510	33

##### Cable entries from bottom

Max. motor output/ AC-23A		Cable openings/side	Enclosure dimensions			Cover flanges included [pcs]	Type	Order number	Weight /unit kg
415V kW/A	690V kW/A		Height mm	Width mm	Depth mm				
110/200	200/250	Blank/2xC-flange	800	400	230	1	OT250KAUC4AZ	1SCA022816R0550	27
160/315	250/315		800	400	230	1	OT315KAUC4AZ	1SCA022815R8140	27

Knock-outs: 10mm, 12.5mm, 20.5mm, 25.5mm, 32.5mm

Auxiliary contacts included: 2NO+1NC • Auxiliary contacts max: 2NO+1NC

Compression glands or flanges to be ordered separately.

## Ordering information

### Steel sheet enclosed safety switches



OTL16A6M



OTL25A6B



OTL36A6M



OTL75...90A6U

#### Safety switches, 6-pole, IP65, red-yellow handle

The delivery includes a red-yellow handle (I-O/ON-OFF), auxiliary contact 1NO and PE-terminal. Knock-out type cable openings included, cable outlets also for control cable. Grey enclosure, equipped with hinges and lock. Cover interlock and defeatable interlock included.

#### Cable entries from top and bottom

Max. motor output/ AC-23A		Cable openings/side	Enclosure dimensions			Type	Order number	Weight /unit kg
415V kW/A	690V kW/A		Height mm	Width mm	Depth mm			
7,5/16	7,5/10	2xø25.5/2xø25.5	200	150	100	OTL16A6M	1SCA022612R9560	1.8

#### Selector handle

Auxiliary contacts included: 1NO • Auxiliary contacts max: 2NO+2NC

7,5/16	7,5/10	2xø25.5/2xø25.5	200	150	100	OTL16A6M	1SCA022612R9560	1.8
--------	--------	-----------------	-----	-----	-----	----------	-----------------	-----

#### Pistol handle

Auxiliary contacts included: 1NO • Auxiliary contacts max: 1NO

15/30	15/20	2xø32.5+ø16.5/ 2xø32.5+ø16.5	250	165	110	OTL25A6M	1SCA022612R9640	2.5
15/30	15/20	B-flange/B-flange	250	165	110	OTL25A6B	1SCA022745R6890	3.4
22/45	15/20	2xø32.5+ø16.5/ 2xø32.5+ø16.5	250	165	110	OTL36A6M	1SCA022612R9720	2.5
22/45	15/20	B-flange/B-flange	250	165	110	OTL36A6B	1SCA022745R6970	3.4
37/80	37/40	Blank/Blank	300	200	135	OTL75A6B	1SCA022555R7740	3.6
37/80	37/40	Blank/Blank	300	200	135	OTL75A6U	1SCA022696R4830	3.6
45/90	45/50	B-flange/B-flange	300	200	135	OTL90A6B	1SCA022555R8040	3.6
45/90	45/50	Blank/Blank	300	200	135	OTL90A6U	1SCA022708R3090	3.6

Compression glands or flanges to be ordered separately.

## Ordering information

### Steel sheet enclosed safety switches



OT90...125GLRR6AZ

OT160EVLRR6AZ,  
OT200KLRR6AZOT250...315KLRR6AZ,  
OT400DLRR6AZOT630KLRR6AZ,  
OT800ELRR6AZ

#### Safety switches with ring-flange cable entries, 6-pole, IP65, red-yellow handle

The delivery includes a red-yellow pistol type handle (I-O/ON-OFF), PE-terminal and grey enclosure. Fixed divided cable entry with ring-flange entries. Entry plate fixing profiles are used also for mounting the safety switch. Auxiliary contacts are wired to the terminal blocks in sizes 200A...800A. Cover interlock and defeatable interlock included.

#### Cable entries from top and bottom

Max. motor output/ AC-23A		Cable openings/side	Enclosure dimensions			Cover flanges included [pcs]	Type	Order number	Weight /unit kg
415V kW/A	690V kW/A		Height mm	Width mm	Depth mm				
Knock-outs: 3x10mm, 12.5mm, 20.5mm, 25.5mm, 32.5mm Auxiliary contacts included: 2NO • Auxiliary contacts max: 2NO+2NC									
45/90	75/90	4xring-flange/ 4xring-flange	400	400	230	4	OT90GLRR6AZ	1SCA148474R1001	16.4
55/125	110/125		400	400	230	4	OT125GLRR6AZ	1SCA148478R1001	16.4
Knock-outs: 3x10mm, 12.5mm, 20.5mm, 25.5mm, 32.5mm Auxiliary contacts included: 2NO+2NC • Auxiliary contacts max: 2NO+2NC									
80/160	144/160	8xring-flange/ 8xring-flange	600	800	230	12	OT160EVLRR6AZ	1SCA148020R1001	37
Knock-outs: 3x10mm, 12.5mm, 20.5mm, 25.5mm, 32.5mm Auxiliary contacts included: 4NO+2NC • Auxiliary contacts max: 4NO+2NC									
110/200	160/200	8xring-flange/ 8xring-flange	600	800	230	12	OT200KLRR6AZ	1SCA022512R9190	37
132/250	200/250		800	800	230	8	OT250KLRR6AZ	1SCA022512R9270	42
160/315	250/315		800	800	230	8	OT315KLRR6AZ	1SCA022512R9350	42
220/400	355/400		800	800	230	8	OT400DLRR6AZ	1SCA022512R9430	45
315/570	560/570		1000	800	230	8	OT630KLRR6AZ	1SCA022512R9510	54
400/720	710/720		1000	800	230	8	OT800ELRR6AZ	1SCA022828R2580	54

Compression glands or flanges to be ordered separately.

## Ordering information

### Steel sheet enclosed safety switches



OT90...125GAUR6AZ



OT160EVAUR6AZ,  
OT200KAUR6AZ



OT250...315KAUR6AZ,  
OT400DAUR6AZ



OT630KAUR6AZ

#### Safety switches with ring-flange cable entries, 6-pole, IP65, red-yellow handle

The delivery includes a red-yellow pistol type handle (I-O/ON-OFF), PE-terminal and grey enclosure. Fixed cable entry with ring-flange entries. Entry plate fixing profiles are used also for mounting the safety switch. Auxiliary contacts are wired to the terminal blocks in sizes 200A...800A. Cover interlock and defeatable interlock included.

##### Cable entries from bottom

Max. motor output/ AC-23A		Cable openings/side	Enclosure dimensions			Cover flanges included [pcs]	Type	Order number	Weight /unit kg
415V kW/A	690V kW/A		Height mm	Width mm	Depth mm				

Knock-outs: 3x10mm, 12.5mm, 20.5mm, 25.5mm, 32.5mm

Auxiliary contacts included: 2NO • Auxiliary contacts max: 2NO+2NC

45/90	75/90	Blank/4xring-flange	600	400	230	4	OT90GAUR6TZ	1SCA148492R1001	21.31
55/125	110/125		600	400	230	4	OT125GAUR6AZ	1SCA148496R1001	21.31

Knock-outs: 9.5mm, 10mm, 12.5mm, 20.5mm, 25.5mm, 32.5mm

Auxiliary contacts included: 4NO+2NC • Auxiliary contacts max: 4NO+2NC

80/160	144/160	Blank/8xring-flange	600	800	230	4	OT160EVAUR6AZ	1SCA147987R1001	39
110/200	160/200		600	800	230	4	OT200KAUR6AZ	1SCA022542R5590	39
132/250	200/250		800	800	230	4	OT250KAUR6AZ	1SCA022542R5670	45
160/315	250/315		800	800	230	2	OT315KAUR6AZ	1SCA022542R5750	45
220/400	355/400		800	800	230	2	OT400DAUR6AZ	1SCA022542R5830	48
315/570	560/570		1000	800	330	2	OT630KAUR6AZ	1SCA022542R5910	85

Compression glands or flanges to be ordered separately.



## Ordering information

### Steel sheet enclosed safety switches



OT90...125GLCC6AZ

OT160EVLCC6AZ,  
OT200KLCC6AZOT250...315KLCC6AZ,  
OT400DLCC6AZOT630KLCC6AZ,  
OT800ELCC6AZ

OT90...125GAUC6AZ

OT160EVAUC6AZ,  
OT200KAUC6AZOT250...315KAUC6AZ,  
OT400DAUC6AZ

OT630KAUC6AZ

#### Safety switches with ring-flange cable entries, 6-pole, IP65, red-yellow handle

The delivery includes a red-yellow pistol type handle (I-O/ON-OFF), PE-terminal and grey enclosure. Fixed divided cable entry with ring-flange entries. Entry plate fixing profiles are used also for mounting the safety switch. Auxiliary contacts are wired to the terminal blocks in sizes 200A...800A. Cover interlock and defeatable interlock included.

##### Cable entries from top and bottom

Max. motor output/ AC-23A		Cable openings/side	Enclosure dimensions			Cover flanges included [pcs]	Type	Order number	Weight /unit kg
415V kW/A	690V kW/A		Height mm	Width mm	Depth mm				
Knock-outs: 9.5mm, 10mm, 12.5mm, 20.5mm, 25.5mm Auxiliary contacts included: 2NO+2NC • Auxiliary contacts max: 2NO+2NC									
45/90	75/90	2xC-flange/2xC-flange	400	400	230	2	OT90GLCC6AZ	1SCA148472R1001	16.4
Knock-outs: 9.5mm, 10mm, 12.5mm, 20.5mm, 25.5mm Auxiliary contacts included: 1NO+1NC • Auxiliary contacts max: 2NO+2NC									
55/125	110/125	2xC-flange/2xC-flange	400	400	230	2	OT125GLCC6AZ	1SCA148476R1001	16.4
Knock-outs: 2x10mm, 12.5mm, 20.5mm, 25.5mm, 32.5mm Auxiliary contacts included: 4NO+2NC • Auxiliary contacts max: 4NO+2NC									
80/160	144/160	4xC-flange/4xC-flange	600	800	230	4	OT160EVLCC6AZ	1SCA148018R1001	37
110/200	160/200		600	800	230	4	OT200KLCC6AZ	1SCA022512R8200	37
132/250	200/250		800	800	230	4	OT250KLCC6AZ	1SCA022512R8380	42
160/315	250/315		800	800	230	4	OT315KLCC6AZ	1SCA022512R8460	42
220/400	355/400		800	800	230	4	OT400DLCC6AZ	1SCA022512R8540	45
315/570	560/570		1000	800	230	4	OT630KLCC6AZ	1SCA022512R8620	54
400/720	710/720	1000	800	230	4	OT800ELCC6AZ	1SCA022828R2400	54	

##### Cable entries from bottom

Max. motor output/ AC-23A		Cable openings/side	Enclosure dimensions			Cover flanges included [pcs]	Type	Order number	Weight /unit kg
415V kW/A	690V kW/A		Height mm	Width mm	Depth mm				
Knock-outs: 9.5mm, 10mm, 12.5mm, 20.5mm, 25.5mm Auxiliary contacts included: 2NO • Auxiliary contacts max: 2NO+2NC									
45/90	75/90	Blank/2xC-flange	600	400	230	1	OT90GAUC6AZ	1SCA148490R1001	21.31
Knock-outs: 9.5mm, 10mm, 12.5mm, 20.5mm, 25.5mm Auxiliary contacts included: 1NO+1NC • Auxiliary contacts max: 2NO+2NC									
55/125	110/125	Blank/2xC-flange	600	400	230	1	OT125GAUC6AZ	1SCA148494R1001	21.31
Knock-outs: 2x10mm, 12.5mm, 20.5mm, 25.5mm, 32.5mm Auxiliary contacts included: 4NO+2NC • Auxiliary contacts max: 4NO+2NC									
80/160	144/160	Blank/4xC-flange	600	800	230	2	OT160EVAUC6AZ	1SCA147985R1001	39
110/200	160/200		600	800	230	2	OT200KAUC6AZ	1SCA022542R6210	39
132/250	200/250		800	800	230	2	OT250KAUC6AZ	1SCA022542R6300	45
160/315	250/315		800	800	230	1	OT315KAUC6AZ	1SCA022542R6480	45
220/400	355/400		800	800	230	1	OT400DAUC6AZ	1SCA022542R6560	48
315/570	560/570		Blank/6xC-flange	1000	800	330	2	OT630KAUC6AZ	1SCA022542R6640

Compression glands or flanges to be ordered separately.

## Ordering information

### Steel sheet enclosed safety switches



OT200KLUU6AZ

OT250...315KLUU6AZ,  
OT400DLUU6AZ

#### Safety switches with blank cable entries, 6-pole, IP65, red-yellow handle

The delivery includes a red-yellow pistol type handle (I-O/ON-OFF), PE-terminal and grey enclosure. Blank cable entries. Auxiliary contacts are wired to the terminal blocks in sizes 200A...800A. Cover interlock and defeatable interlock included.

##### Cable entries from top and bottom

Max. motor output/ AC-23A		Cable openings/side	Enclosure dimensions			Type	Order number	Weight /unit kg
415V kW/A	690V kW/A		Height mm	Width mm	Depth mm			
Auxiliary contacts included: 4NO+2NC • Auxiliary contacts max: 4NO+2NC								
110/200	160/200	Blank/Blank	600	800	230	OT200KLUU6AZ	1SCA128193R1001	30
132/250	200/250		800	800	230	OT250KLUU6AZ	1SCA128194R1001	35
160/315	250/315		800	800	230	OT315KLUU6AZ	1SCA128195R1001	35
220/400	355/400		800	800	230	OT400DLUU6AZ	1SCA128196R1001	38
315/570	560/570		1000	800	230	OT630KLUU6AZ	1SCA128197R1001	47
Auxiliary contacts included: 4NO+2NC • Auxiliary contacts max: 4NO+2NC								
400/720	710/720	Blank/Blank	1000	800	230	OT800ELUU6AZ	1SCA128198R1001	48

Compression glands or flanges to be ordered separately.

## Ordering information

### Stainless steel enclosed safety switches

#### Safety switches, 3-pole, IP65, black handle

The delivery includes a black handle (I-O/ON-OFF), auxiliary contact 1NO and PE-terminal. Knock-out type cable openings included, cable outlets also for control cable. Equipped with hinges and lock. Cover interlock and defeatable interlock included.



OTR16T3M



OTR25...36T3M



OTR63T3M



OTR75...90T4B



OTR16...63T3B

#### Cable entries from top and bottom

Max. motor output/ AC-23A		Cable openings/side	Enclosure dimensions			Type	Order number	Weight /unit kg
415V kW/A	690V kW/A		Height mm	Width mm	Depth mm			
7,5/16	7,5/10	2xø25.5/2xø25.5	200	150	100	OTR16T3M	1SCA022613R2780	1.7
15/30	15/20	2xø32.5+ø16.5/	200	150	100	OTR25T3M	1SCA022613R3910	1.9
22/45	15/20	2xø32.5+ø16.5	200	150	100	OTR36T3M	1SCA022613R4050	1.9

#### Selector handle

Auxiliary contacts included: 1NO • Auxiliary contacts max: 2NO+2NC

7,5/16	7,5/10	2xø25.5/2xø25.5	200	150	100	OTR16T3M	1SCA022613R2780	1.7
--------	--------	-----------------	-----	-----	-----	----------	-----------------	-----

Auxiliary contacts included: 1NO • Auxiliary contacts max: 2NO+1NC

15/30	15/20	2xø32.5+ø16.5/	200	150	100	OTR25T3M	1SCA022613R3910	1.9
22/45	15/20	2xø32.5+ø16.5	200	150	100	OTR36T3M	1SCA022613R4050	1.9

#### Pistol handle

Auxiliary contacts included: 1NO • Auxiliary contacts max: 2NO+2NC

30/63	30/35	2xø32.5+ø16.5/	250	165	110	OTR63T3M	1SCA022613R4130	2.4
37/80	37/40	B-flange/B-flange	300	200	135	OTR75T3B	1SCA022567R1280	3.3
45/90	45/50		300	200	135	OTR90T3B	1SCA022567R1440	3.3

#### Cable entries from bottom

Max. motor output/ AC-23A		Cable openings/side	Enclosure dimensions			Type	Order number	Weight /unit kg
415V kW/A	690V kW/A		Height mm	Width mm	Depth mm			
7,5/16	7,5/10	Blank/B-flange	200	150	100	OTR16T3B	1SCA022572R0160	1.7
15/30	15/20	Blank/B-flange	200	150	100	OTR25T3B	1SCA022572R0240	1.9
22/45	15/20		200	150	100	OTR36T3B	1SCA022572R0320	1.9
30/63	30/35		200	150	100	OTR63T3B	1SCA022572R0410	2

#### Selector handle

Auxiliary contacts included: 1NO • Auxiliary contacts max: 2NO+2NC

7,5/16	7,5/10	Blank/B-flange	200	150	100	OTR16T3B	1SCA022572R0160	1.7
--------	--------	----------------	-----	-----	-----	----------	-----------------	-----

Auxiliary contacts included: 1NO • Auxiliary contacts max: 2NO+1NC

15/30	15/20	Blank/B-flange	200	150	100	OTR25T3B	1SCA022572R0240	1.9
22/45	15/20		200	150	100	OTR36T3B	1SCA022572R0320	1.9
30/63	30/35		200	150	100	OTR63T3B	1SCA022572R0410	2

Compression glands or flanges to be ordered separately.

## Ordering information

### Stainless steel sheet enclosed safety switches

#### Safety switches, 4-pole, IP65, black handle

The delivery includes a black handle (I-O/ON-OFF), auxiliary contact 1NO and PE-terminal. Knock-out type cable openings included, cable outlets also for control cable. Cover interlock and defeatable interlock included.

#### Cable entries from top and bottom

Max. motor output/ AC-23A		Cable openings/side	Enclosure dimensions			Type	Order number	Weight /unit kg
415V kW/A	690V kW/A		Height mm	Width mm	Depth mm			
7,5/16	7,5/10	2xø25.5/2xø25.5	200	150	100	OTR16T4M	1SCA022613R4210	1.8
15/30	15/20	2xø32.5+ø16.5/	200	150	100	OTR25T4M	1SCA022613R4300	2
22/45	15/20	2xø32.5+ø16.5	200	150	100	OTR36T4M	1SCA022613R4480	2

#### Selector handle

Auxiliary contacts included: 1NO • Auxiliary contacts max: 2NO+2NC

7,5/16	7,5/10	2xø25.5/2xø25.5	200	150	100	OTR16T4M	1SCA022613R4210	1.8
15/30	15/20	2xø32.5+ø16.5/	200	150	100	OTR25T4M	1SCA022613R4300	2
22/45	15/20	2xø32.5+ø16.5	200	150	100	OTR36T4M	1SCA022613R4480	2

#### Pistol handle

Auxiliary contacts included: 1NO • Auxiliary contacts max: 2NO+2NC

30/63	30/35	2xø32.5+ø16.5/	250	165	110	OTR63T4M	1SCA022613R4560	2.5
37/80	37/40	B-flange/B-flange	300	200	135	OTR75T4B	1SCA022567R1360	3.4
45/90	45/50		300	200	135	OTR90T4B	1SCA022567R1520	3.4

#### Cable entries from bottom

Max. motor output/ AC-23A		Cable openings/side	Enclosure dimensions			Type	Order number	Weight /unit kg
415V kW/A	690V kW/A		Height mm	Width mm	Depth mm			
7,5/16	7,5/10	Blank/B-flange	200	150	100	OTR16T4B	1SCA022580R5740	1.8
15/30	15/20	Blank/B-flange	200	150	100	OTR25T4B	1SCA022580R5910	2
22/45	15/20		200	150	100	OTR36T4B	1SCA022580R6040	2
30/63	30/35	Blank/B-flange	200	150	100	OTR63T4B	1SCA022580R6120	2.1

#### Selector handle

Auxiliary contacts included: 1NO • Auxiliary contacts max: 2NO+2NC

7,5/16	7,5/10	Blank/B-flange	200	150	100	OTR16T4B	1SCA022580R5740	1.8
15/30	15/20	Blank/B-flange	200	150	100	OTR25T4B	1SCA022580R5910	2
22/45	15/20		200	150	100	OTR36T4B	1SCA022580R6040	2
30/63	30/35	Blank/B-flange	200	150	100	OTR63T4B	1SCA022580R6120	2.1

Compression glands or flanges to be ordered separately.



OTR16T4M



OTR25...36T4M



OTR75..90T4B



OTR16..63T4B

## Ordering information

### Stainless steel sheet enclosed safety switches

#### Safety switches, 6-pole, IP65, black handle

The delivery includes a black handle (I-O/ON-OFF), auxiliary contact 1NO and PE-terminal. Knock-out type cable openings included, cable outlets also for control cable. Equipped with hinges and lock. Cover interlock and defeatable interlock included.



OTR16T6M



OTR16T6B



OTR25...36T6M



OTR25...36T6B



OTR75...90T6B

#### Cable entries from top and bottom

Max. motor output/ AC-23A		Cable openings/side	Enclosure dimensions			Type	Order number	Weight /unit kg
415V kW/A	690V kW/A		Height mm	Width mm	Depth mm			
7,5/16	7,5/10	2xø25.5+ø16.5/ 2xø25.5+ø16.5	200	150	100	OTR16T6M	1SCA022613R4640	1.8

#### Selector handle

Auxiliary contacts included: 1NO • Auxiliary contacts max: 2NO+2NC

7,5/16	7,5/10	2xø25.5+ø16.5/ 2xø25.5+ø16.5	200	150	100	OTR16T6M	1SCA022613R4640	1.8
--------	--------	---------------------------------	-----	-----	-----	----------	-----------------	-----

#### Cable entries from bottom

Max. motor output/ AC-23A		Cable openings/side	Enclosure dimensions			Type	Order number	Weight /unit kg
415V kW/A	690V kW/A		Height mm	Width mm	Depth mm			
7,5/16	7,5/10	Blank/B-flange	200	150	100	OTR16T6B	1SCA022580R5820	1.8

#### Selector handle

Auxiliary contacts included: 1NO • Auxiliary contacts max: 2NO+2NC

7,5/16	7,5/10	Blank/B-flange	200	150	100	OTR16T6B	1SCA022580R5820	1.8
--------	--------	----------------	-----	-----	-----	----------	-----------------	-----

#### Pistol handle

Auxiliary contacts included: 1NO • Auxiliary contacts max: 1NO+1NC

15/30	15/20	2xø32.5+ø16.5/ 2xø32.5+ø16.5	250	165	110	OTR25T6M	1SCA022613R4720	2.5
15/30	15/20	B-flange/B-flange	250	165	110	OTR25T6B	1SCA022580R8250	3.4
22/45	15/20	2xø32.5+ø16.5/ 2xø32.5+ø16.5	250	165	110	OTR36T6M	1SCA022613R4810	2.5
22/45	15/20	B-flange/B-flange	250	165	110	OTR36T6B	1SCA022580R8330	3.4
37/80	37/40	B-flange/B-flange	300	200	135	OTR75T6B	1SCA022580R9060	3.6
45/90	45/50	B-flange/B-flange	300	200	135	OTR90T6B	1SCA022580R9140	3.6

Compression glands or flanges to be ordered separately.

## Ordering information

### Stainless steel sheet enclosed safety switches

#### Safety switches, 3-pole, IP65, red-yellow handle

The delivery includes a red-yellow handle (I-O/ON-OFF), auxiliary contact 1NO and PE-terminal. Knock-out type cable openings included, cable outlets also for control cable. Cover interlock and defeatable interlock included.

##### Cable entries from top and bottom

Max. motor output/ AC-23A		Cable openings/side	Enclosure dimensions			Type	Order number	Weight /unit kg
415V kW/A	690V kW/A		Height mm	Width mm	Depth mm			
7,5/16	7,5/10	2xø25.5/2xø25.5	200	150	100	OTR16A3M	1SCA022613R2860	1.7
15/30	15/20	2xø32.5+ø16.5/	200	150	100	OTR25A3M	1SCA022613R2940	1.9
22/45	15/20	2xø32.5+ø16.5	200	150	100	OTR36A3M	1SCA022613R3080	1.9

##### Selector handle

Auxiliary contacts included: 1NO • Auxiliary contacts max: 2NO+2NC

7,5/16	7,5/10	2xø25.5/2xø25.5	200	150	100	OTR16A3M	1SCA022613R2860	1.7
--------	--------	-----------------	-----	-----	-----	----------	-----------------	-----

Auxiliary contacts included: 1NO • Auxiliary contacts max: 2NO+1NC

15/30	15/20	2xø32.5+ø16.5/	200	150	100	OTR25A3M	1SCA022613R2940	1.9
22/45	15/20	2xø32.5+ø16.5	200	150	100	OTR36A3M	1SCA022613R3080	1.9

##### Pistol handle

Auxiliary contacts included: 1NO • Auxiliary contacts max: 2NO+2NC

30/63	30/35	2xø32.5+ø16.5/	250	165	110	OTR63A3M	1SCA022613R3160	2.4
		2xø32.5+ø16.5						
37/80	37/40	B-flange/B-flange	300	200	135	OTR75A3B	1SCA022567R8960	3.3
45/90	45/50	B-flange/B-flange	300	200	135	OTR90A3B	1SCA022567R9180	3.3

##### Cable entries from bottom

Max. motor output/ AC-23A		Cable openings/side	Enclosure dimensions			Type	Order number	Weight /unit kg
415V kW/A	690V kW/A		Height mm	Width mm	Depth mm			
7,5/16	7,5/10	Blank/B-flange	200	150	100	OTR16A3B	1SCA022575R7410	1.7
15/30	15/20	Blank/B-flange	200	150	100	OTR25A3B	1SCA022575R7590	1.9
22/45	15/20	Blank/B-flange	200	150	100	OTR36A3B	1SCA022575R7670	1.9
30/63	30/35	Blank/B-flange	200	150	100	OTR63A3B	1SCA022575R7750	2

##### Selector handle

Auxiliary contacts included: 1NO • Auxiliary contacts max: 2NO+2NC

7,5/16	7,5/10	Blank/B-flange	200	150	100	OTR16A3B	1SCA022575R7410	1.7
--------	--------	----------------	-----	-----	-----	----------	-----------------	-----

Auxiliary contacts included: 1NO • Auxiliary contacts max: 2NO+1NC

15/30	15/20	Blank/B-flange	200	150	100	OTR25A3B	1SCA022575R7590	1.9
22/45	15/20	Blank/B-flange	200	150	100	OTR36A3B	1SCA022575R7670	1.9
30/63	30/35	Blank/B-flange	200	150	100	OTR63A3B	1SCA022575R7750	2

Compression glands or flanges to be ordered separately.



OTR16A3M



OTR25...36A3M



OTR63A3M



OTR16...63A3B

## Ordering information

### Stainless steel sheet enclosed safety switches

#### Safety switches, 4-pole, IP65, red-yellow handle

The delivery includes a red-yellow handle (I-O/ON-OFF), auxiliary contact 1NO and PE-terminal. Knock-out type cable openings included, cable outlets also for control cable. Cover interlock and defeatable interlock included.

#### Cable entries from top and bottom



OTR16A4M

Max. motor output/ AC-23A		Cable openings/side	Enclosure dimensions			Type	Order number	Weight /unit kg
415V kW/A	690V kW/A		Height mm	Width mm	Depth mm			
7,5/16	7,5/10	2xø25.5/2xø25.5	200	150	100	OTR16A4M	1SCA022613R3240	1.8
15/30	15/20	2xø32.5+ø16.5/	200	150	100	OTR25A4M	1SCA022613R3320	2
22/45	15/20	2xø32.5+ø16.5	200	150	100	OTR36A4M	1SCA022613R3410	2

#### Selector handle

Auxiliary contacts included: 1NO • Auxiliary contacts max: 2NO+2NC

7,5/16	7,5/10	2xø25.5/2xø25.5	200	150	100	OTR16A4M	1SCA022613R3240	1.8
--------	--------	-----------------	-----	-----	-----	----------	-----------------	-----

Auxiliary contacts included: 1NO • Auxiliary contacts max: 2NO+1NC

15/30	15/20	2xø32.5+ø16.5/	200	150	100	OTR25A4M	1SCA022613R3320	2
22/45	15/20	2xø32.5+ø16.5	200	150	100	OTR36A4M	1SCA022613R3410	2

#### Pistol handle

Auxiliary contacts included: 1NO • Auxiliary contacts max: 2NO+2NC

30/63	30/35	2xø32.5+ø16.5/	250	165	110	OTR63A4M	1SCA022613R3590	2.5
37/80	37/40	2xø32.5+ø16.5	300	200	135	OTR75A4B	1SCA022567R9000	3.4
45/90	45/50	B-flange/B-flange	300	200	135	OTR90A4B	1SCA022567R9260	3.4



OTR25...36A4M



OTR63A4M

#### Cable entries from bottom



OT16...63A4B

Max. motor output/ AC-23A		Cable openings/side	Enclosure dimensions			Type	Order number	Weight /unit kg
415V kW/A	690V kW/A		Height mm	Width mm	Depth mm			
7,5/16	7,5/10	Blank/B-flange	200	150	100	OTR16A4B	1SCA022745R7780	1.8
15/30	15/20	Blank/B-flange	200	150	100	OTR25A4B	1SCA022745R7860	2
22/45	15/20	Blank/B-flange	200	150	100	OTR36A4B	1SCA022745R7940	2
30/63	30/35	Blank/B-flange	200	150	100	OTR63A4B	1SCA022745R8080	2.1

#### Selector handle

Auxiliary contacts included: 1NO • Auxiliary contacts max: 2NO+2NC

7,5/16	7,5/10	Blank/B-flange	200	150	100	OTR16A4B	1SCA022745R7780	1.8
--------	--------	----------------	-----	-----	-----	----------	-----------------	-----

Auxiliary contacts included: 1NO • Auxiliary contacts max: 2NO+1NC

15/30	15/20	Blank/B-flange	200	150	100	OTR25A4B	1SCA022745R7860	2
22/45	15/20	Blank/B-flange	200	150	100	OTR36A4B	1SCA022745R7940	2

Auxiliary contacts included: 1NO • Auxiliary contacts max: 1NO+1NC

30/63	30/35	Blank/B-flange	200	150	100	OTR63A4B	1SCA022745R8080	2.1
-------	-------	----------------	-----	-----	-----	----------	-----------------	-----

Compression glands or flanges to be ordered separately.

## Ordering information

### Stainless steel sheet enclosed safety switches

#### Safety switches, 6-pole, IP65, red-yellow handle

The delivery includes a red-yellow handle (I-O/ON-OFF), auxiliary contact 1NO and PE-terminal. Knock-out type cable openings included, cable outlets also for control cable. Equipped with hinges and lock. Cover interlock and defeatable interlock included.



OTR16A6M



OTR25...36A6M



OTR25...36A6B



OTR75...90A6B



OTR16A6B

#### Cable entries from top and bottom

Max. motor output/ AC-23A		Cable openings/side	Enclosure dimensions			Type	Order number	Weight /unit kg
415V kW/A	690V kW/A		Height mm	Width mm	Depth mm			
7,5/16	7,5/10	2xø25.5/2xø25.5	200	150	100	OTR16A6M	1SCA022613R3670	1.8

#### Selector handle

Auxiliary contacts included: 1NO • Auxiliary contacts max: 2NO+2NC

7,5/16	7,5/10	2xø25.5/2xø25.5	200	150	100	OTR16A6M	1SCA022613R3670	1.8
--------	--------	-----------------	-----	-----	-----	----------	-----------------	-----

#### Pistol handle

Auxiliary contacts included: 1NO • Auxiliary contacts max: 1NO+1NC

15/30	15/20	2xø32.5+ø16.5/ 2xø32.5+ø16.5	250	165	110	OTR25A6M	1SCA022613R3750	2.5
15/30	15/20	B-flange/B-flange	250	165	110	OTR25A6B	1SCA022745R7510	3.4
22/45	15/20	2xø32.5+ø16.5/ 2xø32.5+ø16.5	250	165	110	OTR36A6M	1SCA022613R3830	2.5
22/45	15/20	B-flange/B-flange	250	165	110	OTR36A6B	1SCA022745R7600	3.4

Auxiliary contacts included: 1NO • Auxiliary contacts max: 1NO

37/80	37/40	B-flange/B-flange	300	200	135	OTR75A6B	1SCA022596R7210	3.6
45/90	45/50	B-flange/B-flange	300	200	135	OTR90A6B	1SCA022596R7300	3.6

#### Cable entries from bottom

Max. motor output/ AC-23A		Cable openings/side	Enclosure dimensions			Type	Order number	Weight /unit kg
415V kW/A	690V kW/A		Height mm	Width mm	Depth mm			
7,5/16	7,5/10	Blank/B-flange	200	150	100	OTR16A6B	1SCA022745R8160	1.8

#### Selector handle

Auxiliary contacts included: 1NO • Auxiliary contacts max: 2NO+2NC

7,5/16	7,5/10	Blank/B-flange	200	150	100	OTR16A6B	1SCA022745R8160	1.8
--------	--------	----------------	-----	-----	-----	----------	-----------------	-----

Compression glands or flanges to be ordered separately.



## Ordering information

### Acid-proof enclosed safety switches

#### Safety switches, 3-pole, IP65, stainless steel handle

The delivery includes a stainless steel handle (I-O/ON-OFF), auxiliary contacts according to the table below and PE-terminal. Knock-out type cable entry for control cable (25 mm) and open type cable entries for main cables. Equipped with hinges and lock. Auxiliary contacts are wired to the terminal blocks in sizes 200A...800A. Cover interlock and defeatable interlock included. Cable flanges and flange covers to be ordered separately.



OT160EVRRR3TZ,  
OT200...315ERR3TZ



OT400ERRR3TZ



OT630...800ERRR3TZ



OT250...400ESUR3TZ



OT1000...1250ESUR3TZ

#### Cable entries from top and bottom

Max. motor output/ AC-23A		Cable openings/side	Enclosure dimensions			Cover flanges included [pcs]	Type	Order number	Weight /unit kg
415V kW/A	690V kW/A		Height mm	Width mm	Depth mm				

#### Selector handle

Auxiliary contacts included: 2NO+1NC • Auxiliary contacts max: 2NO+1NC

415V kW/A	690V kW/A	Cable openings/side	Height mm	Width mm	Depth mm	Cover flanges included [pcs]	Type	Order number	Weight /unit kg
80/160	144/160	4xring-flange+ø25mm/ 4xring-flange+ø25mm	600	400	230	0	OT160EVRRR3TZ	1SCA125630R1001	25
110/200	160/200		600	400	230	0	OT200ERRR3TZ	1SCA101252R1001	25
110/200	200/250		600	400	230	0	OT250ERRR3TZ	1SCA102364R1001	25
160/315	250/315		600	400	230	0	OT315ERRR3TZ	1SCA102332R1001	25
220/400	355/400		800	400	230	0	OT400ERRR3TZ	1SCA102318R1001	32
315/570	560/570		1000	400	230	0	OT630ERRR3TZ	1SCA102321R1001	36
400/720	710/720	1000	400	230	0	OT800ERRR3TZ	1SCA102333R1001	36	
560/1000	1000/1000	8xring-flange+ø25.5/ 8xring-flange+ø25.5	1200	800	330	0	OT1000ERRR3TZ	1SCA103329R1001	70
710/1250	1200/1250		1200	800	330	0	OT1250ERRR3TZ	1SCA103351R1001	70

#### Cable entries from bottom

Max. motor output/ AC-23A		Cable openings/side	Enclosure dimensions			Cover flanges included [pcs]	Type	Order number	Weight /unit kg
415V kW/A	690V kW/A		Height mm	Width mm	Depth mm				

#### Pistol handle

Flange covers mounted on top

Knock-outs: 25.5mm

Auxiliary contacts included: 2NO+1NC • Auxiliary contacts max: 2NO+1NC

415V kW/A	690V kW/A	Cable openings/side	Height mm	Width mm	Depth mm	Cover flanges included [pcs]	Type	Order number	Weight /unit kg
80/160	144/160	Blank/ 4xring-flange+ø25.5	600	400	230	0	OT160ESUR3TZ	1SCA125726R1001	28
110/200	160/200		600	400	230	0	OT200ESUR3TZ	1SCA102325R1001	28
132/200	200/250		800	400	230	0	OT250ESUR3TZ	1SCA102320R1001	33
160/315	250/315		800	400	230	0	OT315ESUR3TZ	1SCA102317R1001	34
220/400	355/400		800	400	230	0	OT400ESUR3TZ	1SCA102323R1001	34
315/570	560/570		1000	800	330	0	OT630ESUR3TZ	1SCA102336R1001	56
400/720	710/720	Blank/ 8xring-flange+ø25.5	1000	800	330	0	OT800ESUR3TZ	1SCA102324R1001	56
560/1000	1000/1000		1200	800	330	0	OT1000ESUR3TZ	1SCA104434R1001	78
710/1250	1200/1250		1200	800	330	0	OT1250ESUR3TZ	1SCA104440R1001	78

Compression glands or flanges to be ordered separately.

## Ordering information

### Acid-proof enclosed safety switches

#### Safety switches, 6-pole, IP65, stainless steel handle

The delivery includes a stainless steel pistol handle (I-O/ON-OFF), auxiliary contacts according to the table below and PE-terminal. Knock-out type cable entry for control cable (25 mm) and open type cable entries for main cables. Equipped with hinges and lock. Auxiliary contacts are wired to the terminal blocks in sizes 200A...800A. Cover interlock and defeatable interlock included. Cable flanges and flange covers to be ordered separately.



OT160EVRRR6TZ,  
OT200...400ERRR6TZ

#### Cable entries from top and bottom

Max. motor output/ AC-23A		Cable openings/side	Enclosure dimensions			Cover flanges included [pcs]	Type	Order number	Weight /unit kg
415V kW/A	690V kW/A		Height mm	Width mm	Depth mm				
Auxiliary contacts included: 4NO+2NC • Auxiliary contacts max: 4NO+2NC									
80/160	144/160	8xring-flange+ø25.5/ 8xring-flange+ø25.5	800	800	230	0	OT160EVRRR6TZ	1SCA125725R1001	41
110/200	160/200		800	800	230	0	OT200ERRR6TZ	1SCA102316R1001	41
132/200	200/250		800	800	230	0	OT250ERRR6TZ	1SCA102365R1001	46
160/315	250/315		800	800	230	0	OT315ERRR6TZ	1SCA102327R1001	46
220/400	355/400		800	800	230	0	OT400ERRR6TZ	1SCA102329R1001	50
315/570	560/570		1000	800	230	0	OT630ERRR6TZ	1SCA102326R1001	59
400/720	710/720		1000	800	230	0	OT800ERRR6TZ	1SCA102334R1001	59

#### Cable entries from bottom

Max. motor output/ AC-23A		Cable openings/side	Enclosure dimensions			Cover flanges included [pcs]	Type	Order number	Weight /unit kg
415V kW/A	690V kW/A		Height mm	Width mm	Depth mm				
Flange covers mounted on top Knock-outs: 25.5mm Auxiliary contacts included: 4NO+2NC • Auxiliary contacts max: 4NO+2NC									
80/160	144/160	Blank/ 8xring-flange+ø25.5	800	800	230	0	OT160ESUR6TZ	1SCA125650R1001	43
110/200	160/200		800	800	230	0	OT200ESUR6TZ	1SCA102319R1001	43
132/200	200/250		800	800	230	0	OT250ESUR6TZ	1SCA102370R1001	51
160/315	250/315		800	800	230	0	OT315ESUR6TZ	1SCA102330R1001	51
220/400	355/400		800	800	230	0	OT400ESUR6TZ	1SCA102335R1001	54
315/570	560/570		1000	800	330	0	OT630ESUR6TZ	1SCA102322R1001	60

Compression glands or flanges to be ordered separately.

## Ordering information

### Aluminium enclosed safety switches



OTA16...63S3G



OTA16...63S3Y



LBAS345...390TPN

#### Front operated safety switches, 3-pole, IP65

The delivery includes a selector handle and PE terminal. 1NO auxiliary contact, cable entries with metric threaded holes with three compression type glands (IP65). Padlockable handle with cover interlock function. Cover interlock included. OTA\_ products are EMC compatible when EMC cable glands are used

##### Cable entries from top and bottom

Max. motor output/ AC-23A		Cable openings/side	Enclosure dimensions			Type	Order number	Weight /unit kg
415V kW/A	690V kW/A		Height mm	Width mm	Depth mm			

##### Grey enclosure, black selector handle

Auxiliary contacts included: 1NO • Auxiliary contacts max: 2NO+2NC

7,5/16	7,5/10	2xM25+M20	165	130	131	OTA16S3G	1SCA142663R1001	1.25
15/30	15/20		165	130	131	OTA25S3G	1SCA142671R1001	1.45
22/45	15/20		165	130	131	OTA40S3G	1SCA142675R1001	1.45
30/63	30/35		165	130	131	OTA63S3G	1SCA142679R1001	1.45

##### Yellow enclosure, red selector handle

Auxiliary contacts included: 1NO • Auxiliary contacts max: 2NO+2NC

7,5/16	7,5/10	2xM25+M20	165	130	131	OTA16S3Y	1SCA142664R1001	1.25
15/30	15/20		165	130	131	OTA25S3Y <td>1SCA142672R1001</td> <td>1.45</td>	1SCA142672R1001	1.45
22/45	15/20		165	130	131	OTA40S3Y <td>1SCA142676R1001</td> <td>1.45</td>	1SCA142676R1001	1.45
30/63	30/35		165	130	131	OTA63S3Y <td>1SCA142680R1001</td> <td>1.45</td>	1SCA142680R1001	1.45

##### Black selector handle, padlockable handle with cover interlock function

Auxiliary contacts included: 1NO • Auxiliary contacts max: 2NO+2NC

Membrane type cable gland and fixed neutral included.

25/63	15/20	2xM40/2xM40+M16	230	160	145	LBAS345TPN	2CMA142627R1000	1.75
37/75	18,5/20		230	160	145	LBAS375TPN	2CMA142628R1000	1.75
45/90	45/50		230	160	145	LBAS390TPN	2CMA142629R1000	1.75

Compression glands or flanges to be ordered separately.

## Ordering information

### Aluminium enclosed safety switches

#### Front operated safety switches, 3-pole, IP65

Safety switch including N- and PE-terminals. Two (125-160) or four (200-600) cable glands included. Padlockable black color pistol type handle with interlock and defeatable interlocking function. 1NO and 1NC auxiliary contacts included in 125A and 160A switches. 2NO and 2NC auxiliary contacts included in 200A to 600A switches. These products are EMC compatible with existing cable glands.



OTA125...160P3B



OTA200...400P3B



OTA600P3B

#### Cable entries from bottom

Max. motor output/ AC-23A		Cable openings/side	Enclosure dimensions			Type	Order number	Weight /unit kg
415V kW/A	690V kW/A		Height mm	Width mm	Depth mm			
55/125	70/70	2x24...48+2xM20	620	425	210	OTA125P3B	1SCA142583R1001	20.2
75/135	75/80		620	425	210	OTA160P3B	1SCA142585R1001	20.2

#### Black pistol handle, grey enclosure

Auxiliary contacts included: 1NO+1NC • Auxiliary contacts max: 2NO+2NC

55/125	70/70	2x24...48+2xM20	620	425	210	OTA125P3B	1SCA142583R1001	20.2
75/135	75/80		620	425	210	OTA160P3B	1SCA142585R1001	20.2

Auxiliary contacts included: 2NO • Auxiliary contacts max: 2NO+2NC

110/200	160/200	Blank/4x28...68+2xM20	730	485	215	OTA200P3B	1SCA142587R1001	29.3
132/250	200/250		730	485	215	OTA250P3B	1SCA142589R1001	29.3
160/315	250/315		730	485	215	OTA315P3B	1SCA142591R1001	29.3
220/400	355/400		730	485	215	OTA400P3B	1SCA142593R1001	29.3
315/540	560/551		975	585	270	OTA600P3B	1SCA144287R1001	36.3

#### Cable entries from bottom

Max. motor output/ AC-23A		Cable openings/side	Enclosure dimensions			Type	Order number	Weight /unit kg
415V kW/A	690V kW/A		Height mm	Width mm	Depth mm			
55/125	70/70	2x24...48+2xM20	620	425	210	OTA125P3Y	1SCA142584R1001	20.2
75/135	75/80		620	425	210	OTA160P3Y	1SCA142586R1001	20.2

#### Red-yellow pistol handle, grey enclosure

Auxiliary contacts included: 1NO+1NC • Auxiliary contacts max: 2NO+2NC

55/125	70/70	2x24...48+2xM20	620	425	210	OTA125P3Y	1SCA142584R1001	20.2
75/135	75/80		620	425	210	OTA160P3Y	1SCA142586R1001	20.2

Auxiliary contacts included: 2NO+2NC • Auxiliary contacts max: 2NO+2NC

110/200	160/200	Blank/4x28...68+2xM20	730	485	215	OTA200P3Y	1SCA142588R1001	29.3
132/250	200/250		730	485	215	OTA250P3Y	1SCA142590R1001	29.3
160/315	250/315		730	485	215	OTA315P3Y	1SCA142592R1001	29.3
220/400	355/400		730	485	215	OTA400P3Y	1SCA142594R1001	29.3
315/540	560/551		975	585	270	OTA600P3Y	1SCA144288R1001	36.3

Compression glands or flanges to be ordered separately.



OTA125...160P3Y



OTA200...400P3Y



OTA600P3Y

## Ordering information

### Aluminium enclosed safety switches

#### Front operated safety switches, 4-pole, IP65

The delivery includes: Selector handle and PE terminal. 1NO auxiliary contact, cable entries with metric threaded holes with three compression type glands (IP65). Padlockable handle with cover interlock function.

#### Cable entries from top and bottom

Max. motor output/ AC-23A		Cable openings/side	Enclosure dimensions			Type	Order number	Weight /unit kg
415V kW/A	690V kW/A		Height mm	Width mm	Depth mm			



OTA16...63S4G

#### Black selector handle, grey enclosure

Auxiliary contacts included: 1NO • Auxiliary contacts max: 2NO+2NC

7,5/16	7,5/10	2xM25+M20	165	130	131	OTA16S4G	1SCA142666R1001	1.25
15/30	15/20		165	130	131	OTA25S4G	1SCA142673R1001	1.45
22/45	15/20		165	130	131	OTA40S4G	1SCA142677R1001	1.45
30/63	30/35		165	130	131	OTA63S4G	1SCA142681R1001	1.45



LBAS445...490TPSN

Auxiliary contacts included: 1NO • Auxiliary contacts max: 2NO+2NC

Membrane type cable gland.

25/63	15/20	2xM40/2xM40+M16	230	160	145	LBAS445TPSN	2CMA142630R1000	1
37/75	18,5/20		230	160	145	LBAS475TPSN <td>2CMA142631R1000</td> <td>1.75</td>	2CMA142631R1000	1.75
45/90	45/50		230	160	145	LBAS490TPSN <td>2CMA142632R1000</td> <td>1.75</td>	2CMA142632R1000	1.75

#### Red selector handle, yellow enclosure

Auxiliary contacts included: 1NO • Auxiliary contacts max: 2NO+2NC

7,5/16	7,5/10	2xM25+M20	165	130	131	OTA16S4Y	1SCA142670R1001	1.25
15/30	15/20		165	130	131	OTA25S4Y <td>1SCA142674R1001</td> <td>1.45</td>	1SCA142674R1001	1.45
22/45	15/20		165	130	131	OTA40S4Y <td>1SCA142678R1001</td> <td>1.45</td>	1SCA142678R1001	1.45
30/63	30/35		165	130	131	OTA63S4Y <td>1SCA142682R1001</td> <td>1.45</td>	1SCA142682R1001	1.45



OTA16...63S4Y

## Ordering information

### Aluminium enclosed safety switches

#### Side operated safety switches, 3-pole, IP65

The delivery includes: enclosure in aluminum and handle in dark grey plastic, neutral and PE terminal, 1NO auxiliary contact, cable entries with metric threaded holes with membrane glands/sealing plugs IP65 (see table page 62). Padlockable handle with cover interlock function.

##### Cable entries from top and bottom

Max. motor output/ AC-23A		Cable openings/side	Enclosure dimensions			Type	Order number	Weight /unit kg
415V kW/A	690V kW/A		Height mm	Width mm	Depth mm			



LBAS316, LBAS416

##### Dark grey side-operated handle, dark grey cover

Auxiliary contacts included: 1NO • Auxiliary contacts max: 2NO

7,5/16	7,5/10	2xM25/2xM25	130	111	60	LBAS316TPN	2CMA142430R1000	0.57
11/25	11/16	2xM32/2xM32+M16	168	138	68	LBAS325TPN	2CMA142432R1000	0.8

#### Side operated safety switches, 4-pole, IP65

The delivery includes: enclosure in aluminum and handle in dark grey plastic, neutral and PE terminal, 1NO auxiliary contact, cable entries with metric threaded holes with membrane glands/sealing plugs IP65 (see table page 62). Padlockable handle with cover interlock function.

##### Cable entries from top and bottom

Max. motor output/ AC-23A		Cable openings/side	Enclosure dimensions			Type	Order number	Weight /unit kg
415V kW/A	690V kW/A		Height mm	Width mm	Depth mm			



LBAS325, LBAS425

##### Dark grey side-operated handle, dark grey cover

Auxiliary contacts included: 1NO • Auxiliary contacts max: 2NO

7,5/16	7,5/10	2xM25/2xM25	130	111	60	LBAS416TPSN	2CMA142431R1000	0.57
11/25	11/16	2xM32/2xM32+M16	168	138	68	LBAS425TPSN	2CMA142433R1000	0.81

Compression glands or flanges to be ordered separately.

#### Side operated safety switches, 3-pole, EMC, IP65

The delivery includes a red handle (I-O/ON-OFF), PE-terminal, threaded cable entries, EMC glands and auxiliary contacts. Grey enclosure. Handle padlockable in Off position, with knock outs for On position. The cover is interlocked. One NO auxiliary contact and safety switch sticker included.

##### Cable entries from top and bottom

Max. motor output/AC-23A		Cable openings / side	Enclosure dimensions			Type	Order number	Weight /unit kg
<415V kW/A	<690V kW / A		Height mm	Width mm	Depth mm			

**3 pole**

7.5 / 16	7.5 / 10	2xM25 / 2xM25	130	111	60	LBAS316E/TPN	2CMA142449R1000	0.6
11 / 25	11 / 16	2xM32 / 2xM32+M16	168	138	68	LBAS325E/TPN	2CMA142450R1000	0.8

## Ordering information

### ATEX enclosed safety switches

#### ATEX enclosed safety switches, 3, 4 and 6-pole, IP65, black handle

The delivery includes a black handle (I-O/ON-OFF), PE-terminal, threaded cable entries, cable glands for two cables and one control cable, cable entry plugs, and auxiliary contacts according to the table below. Enclosure in rigid dye casted aluminium. Safety switch sticker included.

The products are all EMC approved. EMC glands to be ordered separately.



OTA16...40S3BX  
OTA16...40S4BX



OTA63...125S3BX  
OTA63...125S4BX  
OT16...40S6BX

#### Cable entries from top and bottom

Max. motor output AC-23A		Cable outlets / side	Dimensions			Type	Order code	Weight (1 pce) kg
415 V kW / A	690 V kW / A		Height mm	Width mm	Depth mm			

#### 3-pole

Auxiliary contacts included: 1NO0NC. Auxiliary contacts max: 2NO2NC.

415 V kW / A	690 V kW / A	Cable outlets / side	Height mm	Width mm	Depth mm	Type	Order code	Weight (1 pce) kg
7.5 / 16	7.5 / 10	2xM25+M20 / 2xM25+M20	165	130	131	OTA16S3BX	1SCA152716R1001	1.3
9 / 20	9 / 11		165	130	131	OTA25S3BX	1SCA152722R1001	1.3
11 / 23	11 / 12		165	130	131	OTA40S3BX	1SCA152728R1001	1.3
22 / 63	15 / 20	2xM40 / 2xM40+M16	230	160	145	OTA63S3BX	1SCA152734R1001	1.8
37 / 75	18.5 / 20		230	160	145	OTA80S3BX	1SCA152738R1001	1.8
37 / 75	37 / 40		230	160	145	OTA100S3BX	1SCA152697R1001	1.8
45 / 90	45 / 50		230	160	145	OTA125S3BX	1SCA152712R1001	1.8

#### 4-pole

Auxiliary contacts included: 1NO0NC. Auxiliary contacts max: 2NO2NC.

415 V kW / A	690 V kW / A	Cable outlets / side	Height mm	Width mm	Depth mm	Type	Order code	Weight (1 pce) kg
7.5 / 16	7.5 / 10	2xM25+M20 / 2xM25+M20	165	130	131	OTA16S4BX	1SCA152718R1001	1.3
9 / 20	9 / 11		165	130	131	OTA25S4BX	1SCA152724R1001	1.3
11 / 23	11 / 12		165	130	131	OTA40S4BX	1SCA152730R1001	1.3
22 / 63	15 / 20	2xM40 / 2xM40+M16	230	160	145	OTA63S4BX	1SCA152736R1001	1.8
37 / 75	18.5 / 20		230	160	145	OTA80S4BX	1SCA152740R1001	1.8
37 / 80	37 / 40		230	160	145	OTA100S4BX	1SCA152710R1001	1.8
45 / 90	45 / 50		230	160	145	OTA125S4BX	1SCA152714R1001	1.8

#### 6-pole

Auxiliary contacts included: 1NO0NC. Auxiliary contacts max: 2NO2NC.

415 V kW / A	690 V kW / A	Cable outlets / side	Height mm	Width mm	Depth mm	Type	Order code	Weight (1 pce) kg
7.5 / 16	7.5 / 10	2xM25 / 2xM25+M16	230	160	145	OTA16S6BX	1SCA152720R1001	1.8
9 / 20	9 / 11		230	160	145	OTA25S6BX	1SCA152726R1001	1.8
11 / 23	11 / 12		230	160	145	OTA40S6BX	1SCA152732R1001	1.8

## Ordering information

### ATEX enclosed safety switches

#### ATEX enclosed safety switches, 3, 4 and 6-pole, IP65, red-yellow handle

The delivery includes a red-yellow handle (I-O/ON-OFF), PE-terminal, threaded cable entries, cable glands for two cables and one control cable, cable entry plugs, and auxiliary contacts according to the table below. Enclosure in rigid dye casted aluminium. Safety switch sticker included.

The products are all EMC approved. EMC glands to be ordered separately.



OTA16...40S3YX  
OTA16...40S4YX



OTA63...100S3YX  
OTA63...100S4YX  
OTA16...40S6YX

#### Cable entries from top and bottom

Max. motor output AC-23A		Cable outlets / side	Dimensions			Type	Order code	Weight (1 pce) kg
415 V kW / A	690 V kW / A		Height mm	Width mm	Depth mm			

#### 3-pole

Auxiliary contacts included: 1NO0NC. Auxiliary contacts max: 2NO2NC.

7.5 / 16	7.5 / 10	2xM25+M20 / 2xM25+M20	165	130	131	OTA16S3YX	1SCA152717R1001	1.3
9 / 20	9 / 11			165	130	131	OTA25S3YX	1SCA152723R1001
22 / 23	11 / 12		165	130	131	OTA40S3YX	1SCA152729R1001	1.3
22 / 63	15 / 20	2xM40 / 2xM40+M16	230	160	145	OTA63S3YX	1SCA152735R1001	1.8
37 / 75	18.5 / 20		230	160	145	OTA80S3YX	1SCA152739R1001	1.8
37 / 80	37 / 40		230	160	145	OTA100S3YX	1SCA152709R1001	1.8
45 / 90	45 / 50		230	160	145	OTA125S3YX	1SCA152713R1001	1.8

#### 4-pole

Auxiliary contacts included: 1NO0NC. Auxiliary contacts max: 2NO2NC.

7.5 / 16	7.5 / 10	2xM25+M20 / 2xM25+M20	165	130	131	OTA16S4YX	1SCA152719R1001	1.3
9 / 20	9 / 11			165	130	131	OTA25S4YX	1SCA152725R1001
11 / 23	11 / 12	2xM32+M20 / 2xM32+M20	165	130	131	OTA40S4YX	1SCA152731R1001	1.3
22 / 63	15 / 20	2xM40 / 2xM40+M16	230	160	145	OTA63S4YX	1SCA152737R1001	1.8
37 / 75	18.5 / 20		230	160	145	OTA80S4YX	1SCA152741R1001	1.8
37 / 80	37 / 40		230	160	145	OTA100S4YX	1SCA152711R1001	1.8
45 / 90	45 / 50		230	160	145	OTA125S4YX	1SCA152715R1001	1.8

#### 6-pole

Auxiliary contacts included: 1NO0NC. Auxiliary contacts max: 2NO2NC.

7.5 / 16	7.5 / 10	2xM25 / 2xM25+M16	230	160	145	OTA16S6YX	1SCA152721R1001	1.8
9 / 20	9 / 11			230	160	145	OTA25S6YX	1SCA152727R1001
11 / 23	11 / 12		230	160	145	OTA40S6YX	1SCA152733R1001	1.8



## Ordering information

### Plastic enclosed safety EMC switches

#### EMC safety switches, 3-pole, IP65, black handle

The delivery includes a black selector handle (I-O/ON-OFF), auxiliary contacts according to the table below, and PE-terminal. Grey enclosure. The handles are padlockable with three padlocks in O-position. The cables have to be shielded. Standard compression glands may be used (no EMC). Cover interlock and defeatable interlock included.

##### Cable entries from top and bottom



OTE16T3M,  
OTE16T4M



OTE25...63T3M  
OTE25...36T4M



OTE75...90T3M,  
OTE75...90T4M

Max. motor output/ AC-23A		Cable openings/side	Enclosure dimensions			Type	Order number	Weight /unit kg
415V kW/A	690V kW/A		Height mm	Width mm	Depth mm			
Auxiliary contacts included: 1NO • Auxiliary contacts max: 2NO+2NC								
37/80	37/40	I-flange / I-flange	400	200	140	OTE75T3B	1SCA022438R3790	3,6
45/90	45/50		400	200	140	OTE90T3B	1SCA022438R3870	3,6
Auxiliary contacts included: 1NO • Auxiliary contacts max: 2NO+2NC								
7,5/16	7,5/10	2xM25+M16/2xM25+M16	150	130	85	OTE16T3M	1SCA022613R2190	0,5
15/30	15/20		200	145	90	OTE25T3M	1SCA022613R2270	0,9
22/45	15/20	2xM32+M16/2xM32+M16	200	145	90	OTE36T3M	1SCA022613R2350	0,9
30/63	30/35		200	145	90	OTE63T3M	1SCA149375R1001	1
37/80	37/40	2xM50+M16/2xM50+M16	400	200	140	OTE75T3M	1SCA022812R4160	3,6
45/90	45/50		400	200	140	OTE90T3M	1SCA022812R4240	3,6

#### EMC safety switches, 4-pole, IP65, black handle

The delivery includes a black selector handle (I-O/ON-OFF), auxiliary contacts according to the table below, and PE-terminal. Grey enclosure. The handles are padlockable with three padlocks in O-position. The cables have to be shielded. Standard compression glands may be used (no EMC). Cover interlock and defeatable interlock included.

##### Cable entries from top and bottom

Max. motor output/ AC-23A		Cable openings/side	Enclosure dimensions			Type	Order number	Weight /unit kg
415V kW/A	690V kW/A		Height mm	Width mm	Depth mm			
Auxiliary contacts included: 1NO • Auxiliary contacts max: 2NO+2NC								
37/80	37/40	I-flange / I-flange	400	200	140	OTE75T4B	1SCA022438R4250	3,7
45/90	45/50		400	200	140	OTE90T4B	1SCA022438R4330	3,7
Auxiliary contacts included: 1NO • Auxiliary contacts max: 2NO+2NC								
7,5/16	7,5/10	2xM25+M16/2xM25+M16	150	130	85	OTE16T4M	1SCA022613R2430	0,53
15/30	15/20		200	145	90	OTE25T4M	1SCA022613R2510	0,96
22/45	15/20	2xM32+M16/2xM32+M16	200	145	90	OTE36T4M	1SCA022613R2600	0,96
37/80	37/40		400	200	140	OTE75T4M	1SCA022812R4670	3,7
45/90	45/50	2xM50+M16/2xM50+M16	400	200	140	OTE90T4M	1SCA022812R5050	3,7

Threaded knock-out openings, compression glands have to be ordered separately. The cables should be shielded to obtain proper EMC protection.

## Ordering information

### Plastic enclosed safety EMC switches

#### EMC safety switches, 6-pole, IP65, black handle

The delivery includes a black handle (I-O/ON-OFF), auxiliary contacts according to the table below, and PE-terminal. Grey enclosure. The handles are padlockable with three padlocks in O-position. The cables have to be shielded. Standard compression glands may be used (no EMC). Cover interlock and defeatable interlock included.



OTE16T6M

#### Cable entries from top and bottom

Max. motor output/ AC-23A		Cable openings/side	Enclosure dimensions			Type	Order number	Weight /unit kg
415V kW/A	690V kW/A		Height mm	Width mm	Depth mm			

#### Selector handle

Auxiliary contacts included: 1NO • Auxiliary contacts max: 2NO+2NC

15/30	15/20	Cable openings	Height	Width	Depth	Type	Order number	Weight
7,5/16	7,5/10	2xM25+M16/2xM25+M16	150	130	85	OTE16T6M	1SCA022613R8980	1

#### Pistol handle

Auxiliary contacts included: 1NO • Auxiliary contacts max: 2NO+2NC

15/30	15/20	I-flange / I-flange	Height	Width	Depth	Type	Order number	Weight
22/45	15/20		400	200	140	OTE25T6B	1SCA022506R4120	4,1
37/80	37/40		400	200	140	OTE36T6B	1SCA022506R4210	4,1
45/90	45/50		400	200	140	OTE75T6B	1SCA022536R1680	4,2

Auxiliary contacts included: 1NO • Auxiliary contacts max: 2NO+2NC

15/30	15/20	2xM50+M16/2xM50+M16	Height	Width	Depth	Type	Order number	Weight
22/45	15/20		400	200	140	OTE25T6M	1SCA150552R1001	4,1
30/63	30/35		400	200	140	OTE36T6M	1SCA150554R1001	4,1
37/80	37/40		400	200	140	OTE63T6M	1SCA150556R1001	4,3

Threaded knock-out openings, compression glands have to be ordered separately.

The cables should be shielded to obtain proper EMC protection.



OTE25...90T6M

## Ordering information

### Plastic enclosed safety EMC switches

#### EMC safety switches, 3-pole, IP65, red-yellow handle

The delivery includes a red-yellow selector handle (I-O/ON-OFF), auxiliary contacts according to the table below, and PE-terminal. Grey enclosure. The handles are padlockable with three padlocks in O-position. The cables have to be shielded. Standard compression glands may be used (no EMC). Cover interlock and defeatable interlock included.

##### Cable entries from top and bottom



OTE16A3M,  
OTE16A4M

Max. motor output/ AC-23A		Cable openings/side	Enclosure dimensions			Type	Order number	Weight /unit kg
415V kW/A	690V kW/A		Height mm	Width mm	Depth mm			
Auxiliary contacts included: 1NO • Auxiliary contacts max: 2NO+2NC								
37/80	37/40	I-flange / I-flange	400	200	140	OTE75A3B	1SCA022438R4760	3,6
45/90	45/50		400	200	140	OTE90A3B	1SCA022438R4840	3,6
Auxiliary contacts included: 1NO • Auxiliary contacts max: 2NO+2NC								
7,5/16	7,5/10	2xM25+M16/2xM25+M16	150	130	85	OTE16A3M	1SCA022613R8710	0,5
15/30	15/20		200	145	90	OTE25A3M	1SCA022613R9010	0,9
22/45	15/20	2xM32+M16/2xM32+M16	200	145	90	OTE36A3M	1SCA022613R9280	0,9
30/63	30/35		200	145	90	OTE63A3M	1SCA149374R1001	1
37/80	37/40	2xM50+M16/2xM50+M16	400	200	140	OTE75A3M	1SCA022812R5990	3,6
45/90	45/50		400	200	140	OTE90A3M	1SCA022812R6020	3,6



OTE25...63A3M  
OTE25...36A4M

#### EMC safety switches, 4-pole, IP65, red-yellow handle

The delivery includes a red-yellow selector handle (I-O/ON-OFF), auxiliary contacts according to the table below, and PE-terminal. Grey enclosure. The handles are padlockable with three padlocks in O-position. The cables have to be shielded. Standard compression glands may be used (no EMC). Cover interlock and defeatable interlock included.



OTE75...90A3M  
OTE75...90A4M

##### Cable entries from top and bottom

Max. motor output/ AC-23A		Cable openings/side	Enclosure dimensions			Type	Order number	Weight /unit kg
415V kW/A	690V kW/A		Height mm	Width mm	Depth mm			
Auxiliary contacts included: 1NO • Auxiliary contacts max: 2NO+2NC								
37/80	37/40	I-flange / I-flange	400	200	140	OTE75A4B	1SCA022438R5220	3,7
45/90	45/50		400	200	140	OTE90A4B	1SCA022438R5310	3,7
Auxiliary contacts included: 1NO • Auxiliary contacts max: 2NO+2NC								
7,5/16	7,5/10	2xM25+M16/2xM25+M16	150	130	85	OTE16A4M	1SCA022613R8800	0,53
15/30	15/20		200	145	90	OTE25A4M	1SCA022613R9100	0,96
22/45	15/20	2xM32+M16/2xM32+M16	200	145	90	OTE36A4M	1SCA022613R9360	0,96
37/80	37/40		200	145	90	OTE63A4M	1SCA022613R9360	0,96
37/80	37/40	2xM50+M16/2xM50+M16	400	200	140	OTE75A4M	1SCA022812R6370	3,7
45/90	45/50		400	200	140	OTE90A4M	1SCA022812R6450	3,7

Threaded knock-out openings, compression glands have to be ordered separately. The cables should be shielded to obtain proper EMC protection.

## Ordering information

### Plastic enclosed safety EMC switches



OTE16A6M



OTE25...63A6M



OTE75...90A6M

#### EMC safety switches, 6-pole, IP65, red-yellow handle

The delivery includes a red-yellow handle (I-O/ON-OFF), auxiliary contacts according to the table below, and PE-terminal. Grey enclosure. The handles are padlockable with three padlocks in O-position. The cables have to be shielded. Standard compression glands may be used (no EMC needed). Cover interlock and defeatable interlock included.

##### Cable entries from top and bottom

Max. motor output/ AC-23A		Cable openings/side	Enclosure dimensions			Type	Order number	Weight /unit kg
415V kW/A	690V kW/A		Height mm	Width mm	Depth mm			

##### Selector handle

Auxiliary contacts included: 1NO • Auxiliary contacts max: 1NO+1NC

415V kW/A	690V kW/A	Cable openings/side	Height mm	Width mm	Depth mm	Type	Order number	Weight /unit kg
7,5/16	7,5/10	2xM25+M16/2xM25+M16	150	130	85	OTE16A6M	1SCA022681R1250	1

Auxiliary contacts included: 1NO • Auxiliary contacts max: 2NO+2NC

15/30	15/20	2xM40+M16/2xM40+M16	400	200	140	OTE25A6M	1SCA150551R1001	4.1
22/45	15/20		400	200	140	OTE36A6M	1SCA150553R1001	4.1
30/63	30/35		400	200	140	OTE63A6M	1SCA150555R1001	4.3

##### Pistol handle

Auxiliary contacts included: 1NO • Auxiliary contacts max: 2NO+2NC

15/30	15/20	I-flange / I-flange	400	200	140	OTE25A6B	1SCA022615R0500	4.1
22/45	15/20		400	200	140	OTE36A6B	1SCA022652R3890	4.1
37/80	37/40		400	200	140	OTE75A6B	1SCA022652R3970	4.2
45/90	45/50		400	200	140	OTE90A6B	1SCA022652R4010	4.2

Auxiliary contacts included: 1NO • Auxiliary contacts max: 2NO+2NC

37/80	37/40	2xM50+M16/2xM50+M16	400	200	140	OTE75A6M	1SCA022812R6700	4.2
45/90	45/50		400	200	140	OTE90A6M	1SCA022812R6880	4.2

Threaded knock-out openings, compression glands have to be ordered separately.

The cables should be shielded to obtain proper EMC protection.

## Ordering information

### Steel sheet enclosed EMC safety switches

#### EMC safety switches, 3-pole, IP65, black handle

The delivery includes a black handle (I-O/ON-OFF) and PE-terminal. Knock-out openings included, cable outlets also for control cable. Compression glands have to be ordered separately, see accessories for EMC Safety switches. Equipped with hinges and lock, grey enclosure. Cover interlock and defeatable interlock included.

##### Cable entries from top and bottom

Max. motor output/ AC-23A		Cable openings/side	Enclosure dimensions			Type	Order number	Weight /unit kg
415V kW/A	690V kW/A		Height mm	Width mm	Depth mm			

##### Selector handle

Auxiliary contacts included: 1NO • Auxiliary contacts max: 2NO+2NC

7,5/16	7,5/10	2xø25.5+ø16.5/ 2xø25.5+ø16.5	200	150	100	OT16ETMM3TE	1SCA022734R5980	1.7
--------	--------	---------------------------------	-----	-----	-----	-------------	-----------------	-----

Auxiliary contacts included: 1NO • Auxiliary contacts max: 2NO+1NC

15/30	15/20	2xø32.5+ø16.5/ 2xø32.5+ø16.5	200	150	100	OT25ETMM3TE	1SCA022734R6010	1.9
22/45	15/20		200	150	100	OT36ETMM3TE	1SCA022734R6100	1.9



OT16...36ETMM3TE

#### EMC safety switches, 6-pole, IP65, black handle

The delivery includes a black handle (I-O/ON-OFF) and PE-terminal. Knock-out openings included, cable outlets also for control cable. Compression glands have to be ordered separately, see Accessories for EMC Safety switches. Equipped with hinges and lock, grey enclosure. Cover interlock and defeatable interlock included.

##### Cable entries from top and bottom

Max. motor output/ AC-23A		Cable openings/side	Enclosure dimensions			Type	Order number	Weight /unit kg
415V kW/A	690V kW/A		Height mm	Width mm	Depth mm			

##### Pistol handle

Auxiliary contacts included: 1NO • Auxiliary contacts max: 2NO+2NC

7,5/16	7,5/10	2xø25.5+ø16.5/ 2xø25.5+ø16.5	200	150	100	OT16ETMM6TE	1SCA022739R3870	1.9
22/45	15/20	2xø32.5+ø16.5/ 2xø32.5+ø16.5	250	165	110	OT36ETMM6TE	1SCA022739R4090	3.7



OT16...36ETMM6TE

Threaded knock-out openings, compression glands have to be ordered separately.  
The cables should be shielded to obtain proper EMC protection.

## Ordering information

### Steel sheet enclosed EMC safety switches

#### EMC safety switches, 3-pole, IP65, red-yellow handle

The delivery includes a red-yellow handle (I-O/ON-OFF), auxiliary contact 1NO and PE-terminal. Knock-out openings included, cable outlets also for control cable. Compression glands have to be ordered separately, see accessories for EMC Safety switches. Equipped with hinges and lock, grey enclosure. Cover interlock and defeatable interlock included.

##### Cable entries from top and bottom

Max. motor output/ AC-23A		Cable openings/side	Enclosure dimensions			Type	Order number	Weight /unit kg
415V kW/A	690V kW/A		Height mm	Width mm	Depth mm			



OT16...25ETMM3AE

##### Selector handle

Auxiliary contacts included: 1NO • Auxiliary contacts max: 2NO+2NC

7,5/16	7,5/10	2xø25.5+ø16.5/ 2xø25.5+ø16.5	200	150	100	OT16ETMM3AE	1SCA022742R0780	17
Auxiliary contacts included: 1NO • Auxiliary contacts max: 2NO+1NC								
15/30	15/20	2xø25.5+ø16.5/ 2xø25.5+ø16.5	200	150	100	OT25ETMM3AE	1SCA022742R0860	1.9



OT36...63ETMM3AE

##### Pistol handle

Auxiliary contacts included: 1NO • Auxiliary contacts max: 2NO+1NC

22/45	15/20	2xø25.5+ø16.5/ 2xø25.5+ø16.5	200	150	100	OT36ETMM3AE	1SCA022742R0940	1.9
30/63	30/35	2xø25.5+ø16.5	200	150	100	OT63ETMM3AE	1SCA022742R1080	2.4

#### EMC safety switches, 6-pole, IP65, red-yellow handle

The delivery includes a red-yellow handle (I-O/ON-OFF), auxiliary contact 1NO and PE-terminal. Knock-out openings included, cable outlets also for control cable. Compression glands have to be ordered separately, see accessories for EMC Safety switches. Equipped with hinges and lock, grey enclosure. Cover interlock and defeatable interlock included.

##### Cable entries from bottom

Max. motor output/ AC-23A		Cable openings/side	Enclosure dimensions			Type	Order number	Weight /unit kg
415V kW/A	690V kW/A		Height mm	Width mm	Depth mm			



OT16...25ETMM6AE

##### Selector handle

Auxiliary contacts included: 1NO • Auxiliary contacts max: 2NO+2NC

7,5/16	7,5/10	Blank/2xø25.5+ø16.5	200	150	100	OT16ETMM6AE	1SCA022742R1160	19
15/30	15/20	2xø32.5+ø16.5/ 2xø32.5+ø16.5	200	165	110	OT25ETMM6AE	1SCA022742R1240	



OT36EMM6AE

##### Pistol handle

Auxiliary contacts included: 1NO • Auxiliary contacts max: 2NO+2NC

22/45	15/20	2xø32.5+ø16.5/ 2xø32.5+ø16.5	250	165	110	OT36ETMM6AE	1SCA022742R1320	4
-------	-------	---------------------------------	-----	-----	-----	-------------	-----------------	---

Threaded knock-out openings, compression glands have to be ordered separately. The cables should be shielded to obtain proper EMC protection.

## Ordering information

### Steel sheet enclosed EMC safety switches



OT90GTUU3TZ

OT160EVTRR3TZ,  
OT200...315KTRR3TZ

OT400DTRR3TZ

#### EMC safety switches with ring-flange cable entries, 3-pole, IP65, black handle

The delivery includes a black pistol handle (I-O/ON - OFF indication), grey enclosure. Auxiliary contacts are wired to the terminal blocks in sizes 200A...1250A. PE-terminal. Fixed cable entry with ring-flange entries. Entry plate fixing profiles are used also for mounting the safety switch. Cover interlock and defeatable interlock included.

#### Cable entries

##### from top and bottom

Max. motor output/ AC-23A		Cable openings/side	Enclosure dimensions			Cover flanges included [pcs]	Type	Order number	Weight /unit kg
415V kW/A	690V kW/A		Height mm	Width mm	Depth mm				
45/90	75/90	Blank/Blank	400	250	180	-	OT90GTUU3TZ	1SCA148210R1001	9.4
55/125	110/125	Blank/Blank	400	250	180	-	OT125GTUU3TZ	1SCA148216R1001	9.4
Knock-outs: 10mm, 12.5mm, 20.5mm, 25.5mm, 32.5mm, 40.5mm Auxiliary contacts included: 1NO+1NC • Auxiliary contacts max: 2NO+2NC									
80/160	144/160	4xring-flange/ 4xring-flange	600	400	230	6	OT160EVTRR3TZ	1SCA148596R1001	19.91
110/200	160/200		600	400	230	6	OT200KTRR3TZ	1SCA022513R7450	21
132/250	200/250		600	400	230	6	OT250KTRR3TZ	1SCA022513R7530	21
160/315	250/315		600	400	230	6	OT315KTRR3TZ	1SCA022513R7610	21
220/400	355/400		800	400	230	5	OT400DTRR3TZ	1SCA022513R7700	27
315/570	560/570		1000	400	230	4	OT630KTRR3TZ	1SCA022513R7880	31
400/720	710/720		1000	400	230	4	OT800ETRR3TZ	1SCA022828R1770	31
560/ 1000	1000/ 1000	8xring-flange/ 8xring-flange	1200	800	330	10	OT1000BTRR3TZ	1SCA022513R7960	66
710/ 1250	1200/ 1250		1200	800	330	10	OT1250ETRR3TZ	1SCA103280R1001	66

Compression glands have to be ordered separately.

The cables should be shielded to obtain proper EMC protection.

## Ordering information

### Steel sheet enclosed EMC safety switches

#### EMC safety switches with ring-flange cable entries, 3-pole, IP65, black handle

The delivery includes a black pistol handle (I-O/ON-OFF indication), grey enclosure. Auxiliary contacts are wired to the terminal blocks in sizes 200A...1250A. PE-terminal. Fixed cable entry with ring-flange entries. Entry plate fixing profiles are used also for mounting the safety switch. Cover interlock and defeatable interlock included.



OT160EVUUR3TZ,  
OT200KUUR3TZ



OT1000BUUR3TZ,  
OT1250EUUR3TZ

#### Cable entries from bottom

Max. motor output/ AC-23A		Cable openings/side	Enclosure dimensions			Cover flanges included [pcs]	Type	Order number	Weight /unit kg
415V kW/A	690V kW/A		Height mm	Width mm	Depth mm				
Knock-outs: 3x10mm, 12.5mm, 20.5mm, 25.5mm, 32.5mm Auxiliary contacts included: 1NO+1NC • Auxiliary contacts max: 2NO+2NC									
45/90	75/90	Blank/4xring-flange	400	400	230	4	OT90GUUR3TZ	1SCA148438R1001	14.8
Knock-outs: 3x10mm, 12.5mm, 20.5mm, 25.5mm, 32.5mm Auxiliary contacts included: 1NO+1NC • Auxiliary contacts max: 2NO+1NC									
55/125	110/125	Blank/4xring-flange	400	400	230	4	OT125GUUR3TZ	1SCA148444R1001	14.8
Knock-outs: 3x10mm, 12.5mm, 20.5mm, 25.5mm, 32.5mm Auxiliary contacts included: 2NO+1NC • Auxiliary contacts max: 2NO+1NC									
80/160	144/160	Blank/4xring-flange	600	400	230	2	OT160EVUUR3TZ	1SCA147982R1001	21.91
110/200	160/200		600	400	230	2	OT200KUUR3TZ	1SCA022513R8340	23
132/250	200/250		800	400	230	2	OT250KUUR3TZ	1SCA022513R8420	27
160/315	250/315		800	400	230	2	OT315KUUR3TZ	1SCA022513R8510	27
220/400	355/400		800	400	230	2	OT400DUUR3TZ	1SCA022513R8690	30
Knock-outs: 9.5mm, 10mm, 12.5mm, 20.5mm, 25.5mm, 32.5mm Auxiliary contacts included: 2NO+1NC • Auxiliary contacts max: 2NO+1NC									
315/570	560/570	Blank/8xring-flange	1000	800	230	4	OT630KUUR3TZ	1SCA022513R8770	50
400/720	710/720	Blank/Blank	1000	800	230		OT800EUU3TZ	1SCA129519R1001	50
400/720	710/720	Blank/8xring-flange	1000	800	230	4	OT800EUUR3TZ	1SCA022828R0110	50
560/1000	1000/1000		1200	800	330	2	OT1000BUUR3TZ	1SCA022513R8850	73
710/1250	1200/1250		1200	800	330	2	OT1250EUUR3TZ	1SCA103281R1001	73

Threaded knock-out openings, compression glands have to be ordered separately.  
The cables should be shielded to obtain proper EMC protection.



## Ordering information

### Steel sheet enclosed EMC safety switches



OT160EVTRR6TZ,  
OT200KTRR6TZ



OT250...315KTRR6TZ,  
OT400DTRR6TZ



OT200KUUR6TZ



OT250...315KUUR6TZ  
OT400DUUR6TZ



OT630KUUR6TZ

#### EMC safety switches with ring-flange cable entries, 6-pole, IP65, black handle

The delivery includes a black pistol handle (I-O/ON-OFF) and PE-terminal. Auxiliary contacts are wired to the terminal blocks in sizes 200A...720A. Fixed cable entries with ring-flange entries. Entry plate fixing profiles are used also for mounting the safety switch. Cover interlock and defeatable interlock included.

##### Cable entries from top and bottom

Max. motor output/ AC-23A		Cable openings/side	Enclosure dimensions			Cover flanges included [pcs]	Type	Order number	Weight /unit kg
415V kW/A	690V kW/A		Height mm	Width mm	Depth mm				

Knock-outs: 3x10mm, 12.5mm, 20.5mm, 25.5mm, 32.5mm

Auxiliary contacts included: 2NO • Auxiliary contacts max: 2NO+2NC

45/90	75/90	4xring-flange/	400	400	230	4	OT90GTRR6TZ	1SCA148604R1001	16.4
55/125	110/125	4xring-flange	400	400	230	4	OT125GTRR6TZ	1SCA148602R1001	16.4
55/125	110/125	Blank/ Blank	400	400	230	-	OT125GTUU6TZ <sup>1)</sup>	1SCA157028R1001	16.4

Knock-outs: 3x10mm, 12.5mm, 20.5mm, 25.5mm, 32.5mm

Auxiliary contacts included: 2NO • Auxiliary contacts max: 2NO+2NC

80/160	144/160	8xring-flange/ 8xring-flange	600	800	230	12	OT160EVTRR6TZ	1SCA148027R1001	37
110/200	160/200		600	800	230	12	OT200KTRR6TZ	1SCA022545R7440	37
132/250	200/250		800	800	230	8	OT250KTRR6TZ	1SCA022545R7520	42
160/315	250/315		800	800	230	8	OT315KTRR6TZ	1SCA022545R7610	42
220/400	355/400		800	800	230	8	OT400DTRR6TZ	1SCA022545R7790	45
315/570	560/570		1000	800	230	8	OT630KTRR6TZ	1SCA022545R7870	54
400/720	710/720		1000	800	230	8	OT800ETRR6TZ	1SCA022828R2660	54

##### Cable entries from bottom

Max. motor output/ AC-23A		Cable openings/side	Enclosure dimensions			Cover flanges included [pcs]	Type	Order number	Weight /unit kg
415V kW/A	690V kW/A		Height mm	Width mm	Depth mm				

Knock-outs: 10mm, 12.5mm, 20.5mm, 25.5mm, 32.5mm

Auxiliary contacts included: 4NO+2NC • Auxiliary contacts max: 4NO+2NC

110/200	160/200	Blank/8xring-flange	600	800	230	4	OT200KUUR6TZ	1SCA022625R3730	37
---------	---------	---------------------	-----	-----	-----	---	--------------	-----------------	----

Knock-outs: 9.5mm, 10mm, 12.5mm, 20.5mm, 25.5mm, 32.5mm

Auxiliary contacts included: 4NO+2NC • Auxiliary contacts max: 4NO+2NC

132/250	200/250	Blank/8xring-flange	800	800	230	4	OT250KUUR6TZ	1SCA022806R6610	45
160/315	250/315		800	800	230	2	OT315KUUR6TZ	1SCA022805R3040	42
220/400	355/400		800	800	230	2	OT400DUUR6TZ	1SCA022805R3800	48
315/570	560/570		1000	800	330	2	OT630KUUR6TZ	1SCA022842R9600	85

Ring-flanges have to be ordered separately.

The ordering information for ring-flanges, see Accessories for EMC Safety switches.

The cables should be shielded to obtain proper EMC protection.

<sup>1)</sup>Include blank cable entries

## Ordering information

### Steel sheet enclosed EMC safety switches



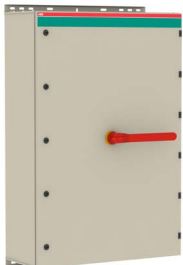
OT160EVTRR3AZ,  
OT200...315KTTRR3AZ



OT400DTRR3AZ



OT630KTTRR3AZ,  
OT800ETRR3AZ



OT1000BTRR3AZ,  
OT1250ETRR3AZ



OT90...125GUUR3AZ

#### EMC safety switches with ring-flange cable entries, 3-pole, IP65, red-yellow handle

The delivery includes a red-yellow pistol handle (I-O/ON - OFF indication), grey enclosure. Auxiliary contacts according to the table below. PE-terminal. Fixed cable entry with ring-flange entries. Entry plate fixing profiles are used also for mounting the safety switch. Cover interlock and defeatable interlock included.

##### Cable entries from top and bottom

Max. motor output/ AC-23A		Cable openings/side	Enclosure dimensions			Cover flanges included [pcs]	Type	Order number	Weight /unit kg
415V kW/A	690V kW/A		Height mm	Width mm	Depth mm				

Knock-outs: 10mm, 12.5mm, 20.5mm, 25.5mm, 32.5mm, 40.5mm

Auxiliary contacts included: 1NO+1NC • Auxiliary contacts max: 2NO+2NC

45/90	75/90	Blank/Blank	400	250	180	-	OT90GTUU3AZ	1SCA148209R1001	9.4
55/125	110/125		400	250	180	-	OT125GTUU3AZ	1SCA148215R1001	9.4

Knock-outs: 3x10mm, 12.5mm, 20.5mm, 25.5mm, 32.5mm

Auxiliary contacts included: 2NO+1NC • Auxiliary contacts max: 2NO+1NC

80/160	144/160	4xring-flange/ 4xring-flange	600	400	230	6	OT160EVTRR3AZ	1SCA148595R1001	19.9
110/200	160/200		600	400	230	6	OT200KTTRR3AZ	1SCA022742R3450	21
132/250	200/250		600	400	230	6	OT250KTTRR3AZ	1SCA022742R3530	21
160/315	250/315		600	400	230	6	OT315KTTRR3AZ	1SCA022742R3610	21
220/400	355/400		800	400	230	5	OT400DTRR3AZ	1SCA022742R3700	27
315/570	560/570		1000	400	230	4	OT630KTTRR3AZ	1SCA022742R3880	31
400/720	710/720		1000	400	230	4	OT800ETRR3AZ	1SCA022828R2070	31
560/1000	1000/1000		8xring-flange/ 8xring-flange	1200	800	330	10	OT1000BTRR3AZ	1SCA102749R1001
710/1250	1200/1250	8xring-flange/ 8xring-flange	1200	800	330	10	OT1250ETRR3AZ	1SCA103282R1001	66

##### Cable entries from bottom

Max. motor output/ AC-23A		Cable openings/side	Enclosure dimensions			Cover flanges included [pcs]	Type	Order number	Weight /unit kg
415V kW/A	690V kW/A		Height mm	Width mm	Depth mm				

Knock-outs: 3x10mm, 12.5mm, 20.5mm, 25.5mm, 32.5mm

Auxiliary contacts included: 1NO+1NC • Auxiliary contacts max: 2NO+1NC

45/90	75/90	Blank/4xring-flange	400	400	230	4	OT90GUUR3AZ	1SCA148437R1001	14.8
55/125	110/125		400	400	230	4	OT125GUUR3AZ	1SCA148443R1001	14.8

Ring-flanges have to be ordered separately.

The ordering information for ring-flanges, see Accessories for EMC Safety switches.

The cables should be shielded to obtain proper EMC protection.

## Ordering information

### Steel sheet enclosed EMC safety switches



OT160EVUUR3AZ,  
OT200KUUR3AZ



OT250...315KUUR3AZ,  
OT400DUUR3AZ



OT1000BUUR3AZ,  
OT1250EUUR3AZ

#### EMC safety switches with ring-flange cable entries, 3-pole, IP65, red-yellow handle

The delivery includes a red-yellow pistol handle (I-O/ON - OFF indication), grey enclosure. Auxiliary contacts according to the table below. PE-terminal. Fixed cable entry with ring-flange entries. Entry plate fixing profiles are used also for mounting the safety switch. Cover interlock and defeatable interlock included.

##### Cable entries from bottom

Max. motor output/ AC-23A		Cable openings/side	Enclosure dimensions			Cover flanges included [pcs]	Type	Order number	Weight /unit kg
415V kW/A	690V kW/A		Height mm	Width mm	Depth mm				
Knock-outs: 3x10mm, 12.5mm, 20.5mm, 25.5mm, 32.5mm Auxiliary contacts included: 2NO+1NC • Auxiliary contacts max: 2NO+1NC									
80/160	144/160	Blank/4xring-flange	600	400	230	2	OT160EVUUR3AZ	1SCA147981R1001	21.9
110/200	160/200		600	400	230	2	OT200KUUR3AZ	1SCA022700R6340	23
132/250	200/250		800	400	230	2	OT250KUUR3AZ	1SCA022725R3190	27
160/315	250/315		800	400	230	2	OT315KUUR3AZ	1SCA022725R2890	27
220/400	355/400		800	400	230	2	OT400DUUR3AZ	1SCA022700R6420	30
Knock-outs: 9.5mm, 10mm, 12.5mm, 20.5mm, 25.5mm, 32.5mm Auxiliary contacts included: 2NO+1NC • Auxiliary contacts max: 2NO+1NC									
315/570	560/570	Blank/8xring-flange	1000	800	230	4	OT630KUUR3AZ	1SCA022725R2970	50
400/720	710/720		1000	800	230	4	OT800EUUR3AZ	1SCA022828R0450	50
Knock-outs: 3x10mm, 12.5mm, 20.5mm, 25.5mm, 32.5mm Auxiliary contacts included: 2NO+1NC • Auxiliary contacts max: 2NO+1NC									
560/1000	1000/1000	Blank/8xring-flange	1200	800	330	2	OT1000BUUR3AZ	1SCA022725R3010	73
710/1250	1200/1250		1200	800	330	2	OT1250EUUR3AZ	1SCA103283R1001	73

Ring-flanges have to be ordered separately.

The ordering information for ring-flanges, see Accessories for EMC Safety switches.

The cables should be shielded to obtain proper EMC protection.

## Ordering information

### Steel sheet enclosed EMC safety switches

#### EMC safety switches with ring-flange cable entries, 6-pole, IP65, red-yellow handle

The delivery includes a red-yellow handle (I-O/ON-OFF) and PE-terminal. Auxiliary contacts are wired to the terminal blocks in sizes 200A...720A. Fixed cable entries with ring-flange entries. Entry plate fixing profiles are used also for mounting the safety switch. Cover interlock and defeatable interlock included.

#### Cable entries from top and bottom



OT200KTRR6AZ



OT250...315KTRR6AZ



OT630KTRR6AZ  
OT800ETRR6AZ

Max. motor output/ AC-23A		Cable openings/side	Enclosure dimensions			Cover flanges included [pcs]	Type	Order number	Weight /unit kg
415V kW/A	690V kW/A		Height mm	Width mm	Depth mm				
45/90	75/90	4xring-flange/4xring-flange	400	400	230	4	OT90GTRR6AZ	1SCA148603R1001	16.4
55/125	110/125	4xring-flange/4xring-flange	400	400	230	4	OT125GTRR6AZ	1SCA148601R1001	16.4
80/160	144/160	8xring-flange/8xring-flange	600	800	230	12	OT160EVTRR6AZ	1SCA148028R1001	37
110/200	160/200		600	800	230	12	OT200KTRR6AZ	1SCA022742R4340	37
132/250	200/250		800	800	230	8	OT250KTRR6AZ	1SCA022742R4420	42
160/315	250/315		800	800	230	8	OT315KTRR6AZ	1SCA022742R4510	42
220/400	355/400		800	800	230	8	OT400DTRR6AZ	1SCA022742R4690	45
315/570	560/570		1000	800	230	8	OT630KTRR6AZ	1SCA022742R4770	48
400/720	710/720	1000	800	230	8	OT800ETRR6AZ	1SCA022828R2820	50	

Knock-outs: 3x10mm, 12.5mm, 20.5mm, 25.5mm, 32.5mm  
Auxiliary contacts included: 2NO+0NC • Auxiliary contacts max: 2NO+2NC

Auxiliary contacts included: 4NO+2NC • Auxiliary contacts max: 4NO+2NC

Ring-flanges have to be ordered separately.  
The ordering information for ring-flanges, see Accessories for EMC Safety switches.  
The cables should be shielded to obtain proper EMC protection.

#### Cable entries from bottom

Max. motor output/ AC-23A		Cable openings/side	Enclosure dimensions			Cover flanges included [pcs]	Type	Order number	Weight /unit kg
415V kW/A	690V kW/A		Height mm	Width mm	Depth mm				
110/200	160/200	Blank/8xring-flange	600	800	230	4	OT200KUUR6AZ	1SCA022801R7410	37
110/250	200/250		800	800	230	4	OT250KUUR6AZ	1SCA022801R7590	45
160/315	250/315		800	800	230	2	OT315KUUR6AZ	1SCA022805R3120	42
220/400	355/400		800	800	230	2	OT400DUUR6AZ	1SCA022805R3980	48
315/570	560/570		1000	800	330	2	OT630KUUR6AZ	1SCA022842R9780	85

Knock-outs: 3x10mm, 12.5mm, 20.5mm, 25.5mm, 32.5mm  
Auxiliary contacts included: 4NO+2NC • Auxiliary contacts max: 4NO+2NC

Ring-flanges have to be ordered separately.  
The ordering information for ring-flanges, see Accessories for EMC Safety switches.  
The cables should be shielded to obtain proper EMC protection.





---

# Enclosed switch-disconnectors

## Table of contents

<b>80–81</b>	<b>Overview</b>
<b>82–85</b>	<b>Technical data</b>
<b>86–135</b>	<b>Ordering Information</b>

# Enclosed switch-disconnectors

## Overview



Plastic, IP65, black / red-yellow handle types			Side operated				Front operated				
Switch-disconnectors from 16 to 800 Amperes			BW_16...25		BW_40	BW625...640		OTP16		OTP16...32	
Rated operational current, AC22A, up to 690V	2-pole	[A]	25*		40*				-		-
	3-pole	[A]	16*	25*	40*			16		25	40
	4-pole	[A]		25*	40*			-		16	25 40
	6-pole	[A]		-	-	25*	40*	-		16	25 40
Switch fuses, BS / DIN -types from 32 to 400 Amperes											
Rated operational current, AC22A, up to 690V	3-pole, BS type	[A]									
	4-pole, BS type	[A]									
	3-, 4-pole, DIN type	[A]									

\* 500V



Plastic, IP65, black / red-yellow handle types													DC-switches, DC-21B						
Switch-disconnectors from 16 to 800 Amperes			OTP45...63		OTP125		OT160...800						OTDCP16...32S/SA_						
Rated operational current, AC22A, up to 690V	2-pole	[A]	-	-										-	660V, 2-pole	16	25	32	
	3-pole	[A]	63	80	125		160	200	250	315	400	570	720	1000V, 3-pole	16	25	32		
	4-pole	[A]	63	80	125		160	200	250	315	400	570	720	1000V, 2x660V, 4-pole	16	25	32		
	6-pole	[A]	45	63	125		160	200	250	315	400	570	720						
Switch fuses, BS / DIN -types from 32 to 400 Amperes					OS20...32		OS32...400												
Rated operational current, AC22A, up to 690V	3-pole, BS type	[A]				20	32	32*	63*	135*	200	315	400						
	4-pole, BS type	[A]				20	32			32*	63*	100*	200						
	3-, 4-pole, DIN type	[A]				-		32*	63*	125*	135*	250	400						

\* 500V



Steel sheet, IP65, IP54, black / red-yellow handle types			Front operated																				
Switch-disconnectors from 16 to 1600 Amperes			OT16...63				OTL100...125				OT160...1600												
Rated operational current, AC22A, up to 690V	3-, 4-pole	[A]	16	25	40	63	80	100	125		125	160	200	250	315	400	570	720	1000	1250	1600		
	6-pole	[A]	16	25	40			63	80		125	160	200	250	315	400	570	720					
Change-over switches from 16 to 800 Amperes											OT160...800												
Rated operational current, AC22A, up to 690V	3-pole	[A]									160	200	250	315	400	570	720						
	4-pole	[A]									160	200	250	315	400	570	720						
Switch fuses, BS / DIN -types from 20 to 800 Amperes											OS20...800												
Rated operational current, AC22A, up to 690V	2-pole, BS type	[A]									32*	63*	125*	135*	200	315	400	600	720	720			
	3-, 4-pole, BS type	[A]									20*	32*	63*	125*	135*	200	315	400					
	3-, 4-pole, DIN type	[A]									32*	63*	125*	135*	250	400	600	720					

\* 500V



## Enclosed switch-disconnectors

### Overview



Stainless steel sheet, IP65, black / red-yellow handle types			Front operated						
Switch-disconnectors from 16 to 125 Amperes			OTR16...63				OTR100...125		
Rated operational current, AC22A, up to 690V	3-, 4-pole	[A]	16	25	40	63	80	100	125
	6-pole	[A]	16	25	40			63	80



Aluminum, IP65, black / red handle types			Side operated			Front operated			
Switch-disconnectors from 25 to 630 Amperes			KSE_25		KSE_40		KSE_63..._125		
Rated operational current, AC22A, up to 500V	2-pole	[A]	25		40		-		
	3-pole	[A]	25		40		63	80	125
	4-pole	[A]	25		40		63	80	-



Aluminum, IP65, black / red handle types			Fireman's switch	
Switch-disconnectors from 25 to 630 Amperes			KSF_25	KSF_40
Rated operational current, AC22A, up to 500V	2-pole	[A]	25	-
	3-pole	[A]	25	40
	4-pole	[A]	25	40

## Technical data

### Enclosed switch-disconnectors

#### Enclosed switch-disconnectors, types OTP, OT, OTL and OTR, enclosed change-over switches, types

Technical data according to IEC60529 and IEC 60947-3

Type/size			OT_16	OT_25	OT_32	OT_45 <sup>1)</sup>	OT_63 <sup>1)</sup>	OT_100	OT_125_	OT_125A	OT_160	OT_C <sup>3)</sup> 160
Rated insulation voltage		V	750	750	750	750	750	750	750	750	750	1000
Rated thermal current and rated operational current AC20/DC20	40°C	A	25	32	40	63	80	115	125	135	160	160
	60°C	A	20	25	32	50	63	80	100	125	125	160
Rated operational current, AC-21A and AC-22A	up to 415 V	A	16	25	40	63	80	100	125	125	160	160
	up to 500V	A	16	25	40	63	80	100	125	125	160	160
	690V	A	16	25	40	63	80	100	125	125	160	160
Rated operational current, AC-23A	up to 415V	A	16	20	23	45	75	80	90	105	135	160
	440V	A	16	20	23	45	63	65	78	90	125	160
	500V	A	16	20	23	45	58	60	70	70	125	160
	690V	A	10	11	12	20	20	40	50	50	80	160
Rated conditional short-circuit current r.m.s and corresponding cut-off current of the fuse in single-phase test according to IEC60269	50kA, 415V	kA	6.5	6.5	6.5	13	13	16.5	18	24	24	35
	Fuse size: gG/aM	A	40/32	40/32	40/32	100/80	100/80	125/125	125/100	200/250	200/250	355/315
	50kA, 690V	kA	4	4	4	11	11	10	12	24	24	35
	Fuse size: gG/aM	A	25/16	25/16	25/16	80/63	80/63	63/63	125/100	200/250	200/250	355/315
Rated frequency		Hz	50/60	50/60	50/60	50/60	50/60	50/60	50/60	50/60	50/60	50/60
Cu-wire size suitable for terminal Terminal bolt size		mm <sup>2</sup>	0.75-10	0.75-10	0.75-10 <sup>2)</sup>	1.5-25 <sup>2)</sup>	1.5-25 <sup>2)</sup>	10-70	10-70	10-70	10-70	M8x25
Used switch type			OT16_	OT25_	OT40_	OT63_	OT80_	OT100_	OT125F_	OT125A_	OT160_	OT160_C

Type/size			OT_200	OT_250	OT_315	OT_400	OT_630	OT_800	OT_1000	OT_1250	OT_1600
Rated insulation voltage		V	1000	1000	1000	1000	1000	1000	1000	690	690
Rated thermal current and rated operational current AC20/DC20	40°C	A	200	250	315	400	570	720	1000	1250	1600
	60°C	A	200	250	315	320	460	580	900	1000	1250
Rated operational current, AC-21A and AC-22A	up to 415 V	A	200	250	315	400	570	720	1000	1250	1600
	up to 500V	A	200	250	315	400	570	720	1000	1250	1600
	690V	A	200	250	315	400	570	720	1000	1250	1600
Rated operational current, AC-23A	up to 415V	A	200	250	315	400	570	720	1000	1250	1250
	440V	A	200	250	315	400	570	720	1000	1250	1250
	500V	A	200	250	315	400	570	720	1000	1250	1250
	690V	A	200	250	315	400	570	720	1000	1250	1250
Rated conditional short-circuit current r.m.s and corresponding cut-off current of the fuse in single-phase test according to IEC60269	50kA, 415V	kA	35	35	50.5	50.5	71.5	71.5	105	105	105
	Fuse size: gG/aM	A	355/315	335/315	500/500	500/500	800/1000	800/1000			
	50kA, 690V	kA	35	35	50.5	50.5	71.5	71.5	105	105	105
	Fuse size: gG/aM	A	355/315	355/315	500/500	500/500	800/1000	800/1000			
Rated frequency		Hz	50/60	50/60	50/60	50/60	50/60	50/60	50/60	50/60	50/60
Cu-wire size suitable for terminal Terminal bolt size		mm <sup>2</sup>	M8x25	M8x25	M10/30	M10/30	M12/40	M12/40	M12/60	M12/60	M12/60
Used switch type			OT200_	OT250_	OT315_	OT400_	OT630_	OT800_	OT1000_	OT1250_	OT1600_

<sup>1)</sup> Lower ratings on plastic 6-pole versions. See ordering information.

<sup>2)</sup> Please note the maximum diameter of the cable is limited by the cable outlets. See the extension adapters in ordering information of accessories.

<sup>3)</sup> Change-over switches, types OT160ELAA3C/\_4C

## Technical data

### Enclosed switch-disconnectors

#### Enclosed switch-disconnectors, types BW, KSE and KSF

Technical data according to IEC60529 and IEC 60947-3

Type/size			BW _16	BW KSE KSF _25	BW KSE KSF 240	BW KSE KSF _40	KSE _63	KSE _80
Rated insulation voltage		V	690	690	690	690	750	750
Rated thermal current and rated operational current AC20/DC20	40°C	A	16	25	40	40	63	80
	60°C	A					50	63
Rated operational current, AC-21A and AC-22A	400V	A	16	25	40	40	63	80
	500V	A	16	25	40	40	63	80
	690V	A	16	16	32	32	63	80
Rated operational current, AC-23A	up to 415 V	A	16	16	32	25	45	75
	440V	A	16	16	25	25	45	65
	500V	A	10	16	25	25	45	58
	690V	A	10	10	16	16	20	20
Rated conditional short-circuit current r.m.s and corresponding cut-off current of the fuse in single-phase test according to IEC60269	25kA, 500V	kA	4.8	4.8	4.8	4.8		
	50kA, 415V	kA	50/50	50/50	50/50	50/50		
	Fuse size: gG/aM	A						
Rated frequency		Hz	50/60	50/60	50/60	50/60	50/60	50/60
Cu-wire size suitable for terminal Terminal bolt size		mm <sup>2</sup>	1-10	1-10	1-10	1-10	1.5-35	1.5-35

#### Enclosed switch-disconnectors, ONE20\_

Technical data according to IEC 60947-3

Data according to IEC 60947-3			ONE20M2_	ONE20M3_	ONE20M4_
Impulse withstand voltage, U <sub>imp</sub>		kV	6	6	6
Operating temperature			-30°C...+60°C	-30°C...+60°C	-30°C...+60°C
Rated operational voltage, U <sub>e</sub>		V	240	415	415
Rated insulation voltage	Pollution degree 3	V	690	690	690
Rated thermal current and rated operational current AC20/DC20	Ambient 40°C	A	20	20	20
Rated operational current, AC-21A and AC-22A	240V	A	20	20	20
	up to 415V	A		20	20
Rated operational current, AC-23A	230V	A/kW	15.2/2.6	15.2/2.6	15.2/2.6
	up to 400V	A/kW		15.2/7.5	15.2/7.5
Rated operational current and power, AC-3A	230V	A/kW	11.3/2.2	11.3/2.2	11.3/2.2
	up to 400V	A/kW		11.3/5.5	11.3/5.5
Rated operational short circuit current, I <sub>p</sub> (rms), with fuses		kA	1	1	1
Maximum back-up fuse link		A	20	20	20
Cu-wire size suitable for terminal		mm <sup>2</sup>	0.5-4	0.5-4	0.5-4
Cable for compression glands, min-max diameter		mm	7-12	7-12	7-12

## Technical data

### Enclosed switch-disconnectors (DC)

#### Enclosed switch-disconnectors, type OTDCP, DC switches

Technical data according to IEC 60947

Switch size		A	OTDCP16	OTDCP25	OTDCP32
Rated insulation voltage	Pollution degree 2	V	1250	1250	1250
	Pollution degree 3	V	1000	1000	1000
Dielectric strength	50 Hz 1 min	kV	6	6	6
Rated impulse withstand voltage		kV	8	8	8
Rated thermal current $I_{th}$					
DC-20	In enclosure 40°C	A	25	32	45
	In enclosure 60°C	A	25	32	32
Rated operational current / poles in series	660 V	A	16/2	25/2	32/2
DC-21B	1000 V	A	16/3	25/3	32/3
	1000 V / 2x660 V <sup>1)</sup>	A	16/4	25/4	32/4
Rated short-time withstand current, 1000 V, 1 s	R.M.S. -value $I_{cw}$	kA	0.4	0.6	0.8
Power loss / pole	At rated current	W	0.15	0.3	0.5

<sup>1)</sup> 1000 V with all the poles connected in series, 600 V with 2 poles in series

#### Color codes of the enclosures / enclosed switch-disconnectors

	Color code/cover	Color code/box
<b>Plastic enclosures</b>		
BW, grey cover	RAL 7012	RAL 7035
BW, light grey cover	RAL 7035	RAL 7035
BW, yellow cover	RAL 1021	RAL 7035
OTP and OT, grey enclosure	RAL 7035	RAL 7035
<b>Steel sheet enclosures</b>		
OTL	RAL 7035	RAL 7035
OT	NCS 1704-Y15R	NCS 1704-Y15R

## Technical data

### Enclosed switch fuses

#### Enclosed switch fuses, type OS

Technical data according to IEC 60529 and IEC 60947-3

Type/size			OS20	OS32	OS63	OS125	OS160	OS200
Rated insulation voltage		V	1000	1000	1000	1000	1000	1000
Rated impulse withstand voltage	$U_{imp}$	kV	12	12	12	12	12	12
Rated thermal current in ambient	40°C	A	20	32	63	125	160	200
	60°C	A	16	25	50	100	128	160
Rated operational current, AC-22A	up to 500V	A	20	32	63	125	160	200
	690V	A	20	32	63	125	160	200
Rated operational current, AC-23A	up to 500V	A	20	32	63	125	160	200
	690V	A	20	32	63	125	160	200
Rated conditional short-circuit current r.m.s and corresponding max. allowed cut-off current, peak-values <sup>2)</sup>	80 kA, 415V	kA	9	9	13.5	23.5	23.5	35
	100kA, 500V	kA	8	7.5	12.5	25.5	25.5	37.5
	50kA, 690V	kA	7	6	9.5	17.5	17.5	28
Fuse types, IEC 269-2	DIN 43620		-	-	000	000	000	-
	BS 88		A1	A1	A2-A3	A2-A4	B1-B2	B1-B2
Max. fuse power dissipation		W	3	35	75	12	9	22
Used switch fuse size/type OS	DIN-type:		-	32G_	63G_	125G_	160G_	-
	BS-type:		-20F_	32G_	63G_	125G_	160G_	-200B_
Cu-wire size suitable for terminal		mm <sup>2</sup>	0.5...25	0.7...10	2.5...25	M8x25	M8x25	M8x25
Terminal bolt size								

#### Enclosed switch fuses, type OS

Technical data according to IEC 60529 and IEC 60947-3

Type/size			OS250	OS315	OS400	OS630	OS800	OS1250
Rated insulation voltage		V	1000	1000	1000	1000	1000	1000
Rated impulse withstand voltage	$U_{imp}$	kV	12	12	12	12	12	12
Rated thermal current in ambient	40°C	A	250	315	400	630	800	1000
	60°C	A	200	250	320	530	633	900
Rated operational current, AC-22A	up to 500V	A	250	315	400	630	800	1000
	690V	A	250	315	400	630	800	1000
Rated operational current, AC-23A	up to 500V	A	250	315	400	630	800	1000
	690V	A	250	315	400	630	800	1000
Rated conditional short-circuit current r.m.s and corresponding max. allowed cut-off current, peak-values <sup>2)</sup>	80 kA, 415V	kA	40.5	44	59	77	77	89
	100kA, 500V	kA	37.5		63.5	83	83	105
	80kA, 690V	kA	28	48	48	55	55	109
Fuse types, IEC 269-2	DIN 43620		0-1	-	0-2	3	3	4, 4a
	BS 88		-	B1-B3	B1-B4	C1-C2	C1-C3	
Max. fuse power dissipation		W	23	32	34	45	55	85
Used switch fuse size/type OS	DIN-type:		-250D_	-	-400D_	-630D_	-800D_	1250D_
	BS-type:		-	-315B_	-400D_	-630B_	-800B_	
Cu-wire size suitable for terminal		mm <sup>2</sup>	M10x30	M10x30	M10x30	M12x40	M12x40	M12x50
Terminal bolt size								

<sup>1)</sup> Utilisation category B

<sup>2)</sup> The cut-off currents refer to single phase fuse tests



---

## Ordering Information

<b>88</b>	Plastic enclosed switch-disconnectors
<b>103</b>	Steel sheet enclosed switch-disconnectors
<b>113</b>	Stainless steel sheet enclosed switch-disconnectors
<b>119</b>	Aluminium enclosed switch-disconnectors
<b>124</b>	Steel sheet enclosed change-over switches
<b>127</b>	Plastic enclosed switch fuses
<b>130</b>	Steel sheet enclosed switch fuses

## Ordering information

### Plastic enclosed switch-disconnectors

#### Enclosed switch disconnectors, 2 pole, IP65

Enclosure in robust PBT plastic with metric threaded cable entries. Light grey box with dark grey cover and operating handle. Delivery includes PE terminal and membrane glands (IP65). The cover is interlocked.



BW225DP



BW225WDP



BW240DP



BW240WDP

#### Cable entries from top and bottom

Rated current		Cable outlets/side	Dimensions			Type	Order number	Weight /unit kg
AC-22A 415V	AC-23A 415V		Height mm	Width mm	Depth mm			
Auxiliary contacts included: none • Auxiliary contacts max: 1NO+0NC								
25	16	2xM25 / 2xM25	130	111	60	BW225DP	2CMA142400R1000	0.3
25	16		130	111	60	BW225WDP	2CMA142401R1000	0.3
40	32	2xM32 / 2xM32+M16	168	138	68	BW240DP	2CMA142407R1000	0.4
40	32		168	138	68	BW240WDP	2CMA100851R1000	0.4



## Ordering information

### Plastic enclosed switch-disconnectors



BW316TPN



BW325WTPN



BW340TPN



BW340WTPN



BW325KTPN



BW325LTPN

#### Enclosed switch disconnectors, 3 pole, IP65

Enclosure in robust PBT plastic with metric threaded cable entries. Delivery includes neutral and PE terminal and membrane glands (IP65). The cover is interlocked.

##### Cable entries from top and bottom

Rated current		Cable outlets/side	Dimensions			Type	Order number	Weight /unit kg
AC-22A 415V	AC-23A 415V		side	Width	Depth			

##### Light grey enclosure with dark grey operating handle

Auxiliary contacts included: none • Auxiliary contacts max: 1NO+0NC

16	16	2xM25 / 2xM25	130	111	60	BW316TPN	2CMA142447R1000	0.3
25	16		130	111	60	BW325TPN	2CMA142403R1000	0.3
25	16		130	111	60	BW325WTPN <sup>1)</sup>	2CMA142402R1000	0.3
40	32	2xM32 / 2xM32+M16	168	138	68	BW340TPN	2CMA142408R1000	0.4
40	32		168	138	68	BW340WTPN <sup>1)</sup>	2CMA100852R1000	0.3

<sup>1)</sup> Light grey cover for commercial/residential design

#### Enclosed switch disconnectors, 3 pole, IP65

Enclosure in robust PBT plastic with metric threaded cable entries. Delivery includes PE+neutral terminal and membrane glands / sealing plugs (IP65). \_L\_ type includes signal lamp.

##### Cable entries from top and bottom

Rated current		Cable outlets/side	Dimensions			Type	Order number	Weight /unit kg
AC-22A 415V	AC-23A 415V		Height	Width	Depth			

##### Light grey enclosure with dark grey operating handle

Auxiliary contacts included: none • Auxiliary contacts max: 1NO+0NC

25	16	2xM25 / 2xM25	130	111	60	BW325KTPN	2CMA142443R1000	0.3
25	16		130	111	60	BW325LTPN	2CMA142404R1000	0.3

## Ordering information

### Plastic enclosed switch-disconnectors

#### Enclosed switch disconnectors, 4 pole, IP65

Enclosure in robust PBT plastic with metric threaded cable entries. Delivery includes PE and switchable neutral terminal and membrane glands. The cover is interlocked.



BW425TPSN



BW440TPSN

#### Cable entries from top and bottom

Rated current		Cable outlets/side	Dimensions			Type	Order number	Weight /unit
AC-22A	AC-23A		Height	Width	Depth			
415V	415V		mm	mm	mm			kg

#### Light grey enclosure with dark grey operating handle

Auxiliary contacts included: none • Auxiliary contacts max: 1NO+0NC

25	16	2xM25 / 2xM25	130	111	60	BW425TPSN	2CMA142405R1000	0.3
25	16		130	111	60	BW425WTPSN	2CMA100850R1000	0.3
40	32	2xM32 / 2xM32+M16	168	138	68	BW440TPSN	2CMA142409R1000	0.4
40	32		168	138	68	BW440WTPSN	2CMA100853R1000	0.3

#### Enclosed switch disconnectors, 6 pole, IP65

Enclosure in robust PBT plastic with non-threaded cable entries. Delivery includes PE+neutral terminal and membrane glands (IP54).



BW625TPN

#### Cable entries from top and bottom

Rated current		Cable outlets/side	Dimensions			Type	Order number	Weight /unit
AC-22A	AC-23A		Height	Width	Depth			
415V	415V		mm	mm	mm			kg

#### Light grey box with dark grey cover and operating handle

Auxiliary contacts included: none • Auxiliary contacts max: 1NO+0NC

25	16	2xø25.5+ø16.5/	130	190	130	BW625TPN	2CMA142406R1000	0.5
40	25	2xø25.5+ø16.5	130	190	130	BW640TPN	2CMA142410R1000	0.5

## Ordering information

### Plastic enclosed switch-disconnectors



ONE20M\_G



ONE20M\_Y



ONE20M\_W

#### Enclosed switch-disconnectors 2, 3 and 4 pole, IP67

The delivery includes a padlockable handle for 3 padlocks (I-O/ON-OFF). Threaded knock out holes for cable entry. Cover is not interlocked. The 2 pole types includes PE terminal. The 3 and 4 pole types include N and PE terminals. Does not include auxiliary contacts. Cable glands included.

##### Cable entries from top and bottom

Poles	Rated current		Cable outlets/side	Dimensions			Type	Order number	Weight /unit kg
	AC-22A 415V	AC-23A 400V		Height mm	Width mm	Depth mm			

##### Grey round handle

2	20	15.2	2xM20 / 2xM20	92	65	84	ONE20M2G	1SCA135532R1001	0.1
3	20	15.2		92	65	84	ONE20M3G	1SCA135535R1001	0.1
4	20	15.2		92	65	84	ONE20M4G	1SCA135538R1001	0.1

##### Red/yellow round handle

2	20	15.2	2xM20 / 2xM20	92	65	84	ONE20M2Y	1SCA135533R1001	0.1
3	20	15.2		92	65	84	ONE20M3Y	1SCA135536R1001	0.1
4	20	15.2		92	65	84	ONE20M4Y	1SCA135540R1001	0.1

##### White round handle

2	20	15.2	2xM20 / 2xM20	92	65	84	ONE20M2W	1SCA138456R1001	0.1
3	20	15.2		92	65	84	ONE20M3W	1SCA138457R1001	0.1
4	20	15.2		92	65	84	ONE20M4W	1SCA138459R1001	0.1

## Ordering information

### Plastic enclosed switch-disconnectors



OTU16...32B3MS2,  
OTU16...32B4MS2,



OTU45...63B3MS3,  
OTU45...63B4MS3,  
OTU45...63BA4MS3



OTU16...32BA3MS2  
OTU16...32BA4MS2



OTU45...63BA3MS3

#### Enclosed switch disconnectors, 3 pole, IP65

The delivery includes a handle (I-O/ON-OFF), N- and PE-terminals. Knock out holes for cable entry. Padlockable handle for 3 padlocks. Cover is not interlocked.

##### Cable entries from top and bottom

Rated current		Cable outlets/side	Dimensions			Type	Order number	Weight /unit kg
AC-22A	AC-23A		Height	Width	Depth			
415V	415V		mm	mm	mm			

##### Black round handle

Auxiliary contacts included: none • Auxiliary contacts max: 2NO+2NC

16	16	2xø25.5 / 2xø25.5	161	100	115	OTU16B3MS2	1SCA132665R1001	0.4
25	20		161	100	115	OTU25B3MS2	1SCA132666R1001	0.4
40	23		161	100	115	OTU32B3MS2	1SCA132667R1001	0.4
45	45	2xø40.5 / 2xø40.5	200	146	139	OTU45B3MS3	1SCA132685R1001	0.8
63	63		200	146	139	OTU63B3MS3	1SCA132686R1001	0.8

##### Red-yellow round handle

Auxiliary contacts included: none • Auxiliary contacts max: 2NO+2NC

16	16	2xø25.5 / 2xø25.5	161	100	115	OTU16BA3MS2	1SCA128505R1001	0.4
25	20		161	100	115	OTU25BA3MS2	1SCA128504R1001	0.4
40	23		161	100	115	OTU32BA3MS2	1SCA132669R1001	0.4
45	45	2xø40.5 / 2xø40.5	200	146	139	OTU45BA3MS3	1SCA132687R1001	0.8
63	63		200	146	139	OTU63BA3MS3	1SCA132688R1001	0.8

#### Enclosed switch disconnectors, 4 pole, IP65

The delivery includes Includes handle (I-O/ON-OFF), N- and PE-terminals. Knock out holes for cable entry. Padlockable handle for 3 padlocks. Cover is not interlocked.

##### Cable entries from top and bottom

Rated current		Cable outlets/side	Dimensions			Type	Order number	Weight /unit kg
AC-22A	AC-23A		Height	Width	Depth			
415V	415V		mm	mm	mm			

##### Black round handle

Auxiliary contacts included: none • Auxiliary contacts max: 2NO+2NC

16	16	2xø25.5 / 2xø25.5	161	100	115	OTU16B4MS2	1SCA132674R1001	0.4
25	20		161	100	115	OTU25B4MS2	1SCA132678R1001	0.4
40	23		161	100	115	OTU32B4MS2	1SCA132681R1001	0.4
45	45	2xø40.5 / 2xø40.5	200	146	139	OTU45B4MS3	1SCA132689R1001	0.8
63	63		200	146	139	OTU63B4MS3	1SCA132690R1001	0.8

##### Black round handle

Auxiliary contacts included: none • Auxiliary contacts max: 2NO+2NC

16	16	2xø25.5 / 2xø25.5	161	100	115	OTU16BA4MS2	1SCA132682R1001	0.4
25	20		161	100	115	OTU25BA4MS2	1SCA132683R1001	0.4
40	23		161	100	115	OTU32BA4MS2	1SCA132684R1001	0.4
45	45	2xø40.5 / 2xø40.5	200	146	139	OTU45BA4MS3	1SCA132691R1001	0.8
63	63		200	146	139	OTU63BA4MS3	1SCA132692R1001	0.8

## Ordering information

### Plastic enclosed switch-disconnectors



OTP16HB3M,  
OTP16HB3M25



OTP16B3M,  
OTP16B3M25



OTP25...32B3M



OTP45...63B3M



OTP100...125B3M



OTP100...125B3U



OT160EVFCC3B



OT200...315KFCC3B



OT630...800KFCC3B

### Enclosed switch-disconnectors, 3 pole, black handle, IP65

The delivery includes a handle (I-O/ON-OFF), N- and PE-terminals. The products with round handle have interlocked cover. The products with selector handle and pistol handle have interlocked cover and defeatable interlock.

#### Cable entries from top and bottom

Rated current		Cable outlets/side	Dimensions			Type	Order number	Weight /unit kg
AC-22A 415V	AC-23A 415V		Height mm	Width mm	Depth mm			

#### Round handle

Two membrane cable glands and two pull stoppers. Threaded knock-outs.  
Auxiliary contacts included: none • Auxiliary contacts max: 1NO+1NC

16	16	2xM20 / 2xM20	120	85	60	OTP16HB3M	1SCA022401R2970	0.4
16	16	2xM25 / 2xM25	120	85	60	OTP16HB3M25	1SCA022699R3690	0.4

#### Selector handle

Two membrane cable glands and two pull stoppers. Threaded knock-outs.  
Auxiliary contacts included: none • Auxiliary contacts max: 2NO+2NC

16	16	2xM20 / 2xM20	120	85	60	OTP16B3M	1SCA022383R2130	0.4
16	16		120	85	60	OTP16B3M25	1SCA022699R2880	0.4

#### Selector handle

Auxiliary contacts included: none • Auxiliary contacts max: 2NO+2NC

25	20	2xM25+M16 / 2xM25+M16	150	130	85	OTP25B3M	1SCA022383R2640	0.5
40	23		150	130	85	OTP32B3M	1SCA022389R8400	0.5
63	45	2xM32+M16 / 2xM32+M16	200	145	90	OTP45B3M	1SCA022383R3020	0.9
80	75		200	145	90	OTP63B3M	1SCA022383R3450	0.9
100	80	2xM50+M16 / 2xM50+M16	400	200	140	OTP100B3M	1SCA126054R1001	2.4
125	90		400	200	140	OTP125B3M	1SCA022812R7180	2.4

#### Selector handle

Auxiliary contacts included: none • Auxiliary contacts max: 2NO+2NC

25	20	Blank / Blank	150	130	85	OTP25B3U	1SCA103605R1001	0.5
63	45		200	145	90	OTP45B3U	1SCA022629R2120	0.9
80	75		200	145	90	OTP63B3U	1SCA103703R1001	0.9
100	80		400	200	140	OTP100B3U	1SCA126056R1001	2.4
125	90		400	200	140	OTP125B3U	1SCA022401R3270	2.4

Auxiliary contacts included: none • Auxiliary contacts max: 2NO+2NC

100	100	I-flange / I-flange	400	200	140	OTP100B3B	1SCA126055R1001	2.4
125	125	I-flange / I-flange	400	200	140	OTP125B3B	1SCA022383R3700	2.4

#### Pistol handle

Auxiliary contacts included: none • Auxiliary contacts max: 2NO+1NC

160	160		380	280	130	OT160EVFCC3B	1SCA148615R1001	4.0
200	200		560	380	180	OT200KFCC3B	1SCA022278R1510	9.0
250	250	II-flange / II-flange	560	380	180	OT250KFCC3B	1SCA022278R2150	9.0
315	315		560	380	180	OT315KFCC3B	1SCA022278R2740	9.0
400	400	2xII-flange / 2xII-flange	380	280	130	OT400DFCC3B	1SCA022278R3390	16.0
570	570		760	560	250	OT630KFCC3B	1SCA022278R3980	20.0
720	720		760	560	250	OT800KFCC3B	1SCA022303R0310	20.0

Threaded knock-outs, compression glands have to be ordered separately  
Knock-out flanges, flanges have to be ordered separately.

## Ordering information

### Plastic enclosed switch-disconnectors

#### Enclosed switch-disconnectors, 4 pole, black handle, IP65

The delivery includes a handle (I-O/ON-OFF), N- and PE-terminals.  
Includes black handle with cover interlock and defeatable interlock function.



OTP16...32B4M



OTP45...63B4M



OTP125B4M



OT160EVFCC4B



OT200...315KFCC4B



OT400DFCC4B



OT630...800KFCC4B

#### Cable entries from top and bottom

Rated current		Cable outlets/side	Dimensions			Type	Order number	Weight /unit
AC-22A	AC-23A		Height	Width	Depth			
415V	415V		mm	mm	mm			kg

#### Selector handle

Auxiliary contacts included: none • Auxiliary contacts max: 2NO+2NC

16	16	2xM25+M16 / 2xM25+M16	150	130	85	OTP16B4M	1SCA022401R4160	0.6
25	20		150	130	85	OTP25B4M	1SCA022401R4320	0.6
40	23		150	130	85	OTP32B4M	1SCA022401R4590	0.6
63	45	2xM32+M16 / 2xM32+M16	200	145	90	OTP45B4M	1SCA022401R4750	1.0
80	75		200	145	90	OTP63B4M	1SCA022401R4910	1.0
125	90	2xM50+M16 / 2xM50+M16	400	200	140	OTP125B4M	1SCA022812R7260	2.5

#### Selector handle. Blank cable entry.

Auxiliary contacts included: none • Auxiliary contacts max: 2NO+2NC

25	20	Blank / Blank	150	130	85	OTP25B4U	1SCA111455R1001	0.6
63	45		200	145	90	OTP45B4U	1SCA115872R1001	1.0
80	75		200	145	90	OTP63B4U	1SCA116044R1001	1.0
125	90		400	200	140	OTP125B4U	1SCA022401R5300	2.5

Auxiliary contacts included: none • Auxiliary contacts max: 2NO+2NC

125	125	I-flange / I-flange	400	200	140	OTP125B4B	1SCA022401R5210	2,5
125	125		400	200	140	OTP125BA4B	1SCA022571R8510	2,5

#### Pistol handle

Auxiliary contacts included: none • Auxiliary contacts max: 2NO+1NC

160	160	II-flange / II-flange	380	280	130	OT160EVFCC4B	1SCA148617R1001	4.0
200	200		560	380	180	OT200KFCC4B	1SCA022530R4450	9.0
250	250		560	380	180	OT250KFCC4B	1SCA022530R4530	9.0
315	315		560	380	180	OT315KFCC4B	1SCA022548R6710	9.0
400	400	2xII-flange / 2xII-flange	840	380	180	OT400DFCC4B	1SCA022609R5480	16.0
570	570		760	560	250	OT630KFCC4B	1SCA022584R5700	20.0
720	720		760	560	250	OT800KFCC4B	1SCA022609R5560	20.0

Threaded knock-outs, compression glands have to be ordered separately.  
Knock-out flanges, flanges have to be ordered separately.

## Ordering information

### Plastic enclosed switch-disconnectors



OTP16...32B6M



OTP45...63B6M



OTP125B6M



OTP125B6U



OT200...315KFCC6B,  
OT400DFCC6B

#### Enclosed switch-disconnectors, 6 pole, black handle, IP65

The delivery includes a handle (I-O/ON-OFF), N- and PE-terminals.  
Includes black handle with cover interlock and defeatable interlock function

##### Cable entries from top and bottom

Rated current		Cable outlets/side	Dimensions			Type	Order number	Weight /unit
AC-22A 415V	AC-23A 415V		Height	Width	Depth			
			mm	mm	mm			kg

##### Selector handle

Auxiliary contacts included: none • Auxiliary contacts max: 2NO+1NC

16	16	2xM25+M16 / 2xM25+M16	150	130	85	OTP16B6M	1SCA022401R5560	0.7
25	20		150	130	85	OTP25B6M	1SCA022401R5720	0.7
40	23		150	130	85	OTP32B6M	1SCA022401R5990	0.7

##### Pistol handle. Threaded knock-outs, compression glands have to be ordered separately.

Auxiliary contacts included: none • Auxiliary contacts max: 2NO+2NC

45	45	2xM32+M16 / 2xM32+M16	200	145	90	OTP45B6M	1SCA022401R6110	1.6
63	63		200	145	90	OTP63B6M	1SCA022401R6370	1.6
125	90	2xM50+M16 / 2xM50+M16	400	200	140	OTP125B6M	1SCA022812R7340	3.2
125	90	Blank / Blank	400	200	140	OTP125B6U	1SCA022401R6700	3.2

Auxiliary contacts included: none • Auxiliary contacts max: 2NO+2NC

125	125	I-flange / I-flange	400	200	140	OTP125B6B	1SCA022401R6610	3,2
125	125		400	200	140	OTP125BA6B	1SCA022401R7510	3,2

##### Pistol handle. II-flange cable entry.

Auxiliary contacts included: none • Auxiliary contacts max: 2NO+1NC

200	200	2xII-flange / 2xII-flange	760	560	250	OT200KFCC6B	1SCA022325R1750	21.0
250	250		760	560	250	OT250KFCC6B	1SCA022512R1450	21.0
315	315		760	560	250	OT315KFCC6B	1SCA022845R2170	21.0
400	400		760	560	250	OT400DFCC6B	1SCA022325R2130	29.0

## Ordering information

### Plastic enclosed switch-disconnectors

#### Enclosed switch-disconnectors, 3 pole, red-yellow, IP65

The delivery includes PE+neutral terminal and membrane glands (IP65). Handle with cover interlock function. Enclosure in robust PBT plastic with metric threaded cable entries. Light grey box with yellow cover and red operating handle.

##### Cable entries from top and bottom



BW325YTPN, BW340YTPN

Rated current		Cable outlets/side	Dimensions			Type	Order number	Weight /unit
AC-22A	AC-23A		Height	Width	Depth			
415V	415V		mm	mm	mm			kg
Auxiliary contacts included: none • Auxiliary contacts max: 1NO								
25	16	2xM25 / 2xM25	130	111	60	BW325YTPN	2CMA142441R1000	0.3
40	32	2xM32 / 2xM32+M16	168	138	68	BW340YTPN	2CMA142445R1000	0.4

#### Enclosed switch-disconnectors, 4 pole, red-yellow, IP65

The delivery includes PE terminal and membrane glands (IP65). Handle with cover interlock function. Enclosure in robust PBT plastic with metric threaded cable entries. Light grey box with yellow cover and red operating handle.

##### Cable entries from top and bottom



BW425YTPN, BW440YTPN

Rated current		Cable outlets/side	Dimensions			Type	Order number	Weight /unit
AC-22A	AC-23A		Height	Width	Depth			
415V	415V		mm	mm	mm			kg
Auxiliary contacts included: none • Auxiliary contacts max: 1NO								
25	16	2xM25 / 2xM25	130	111	60	BW425YTPN	2CMA142444R1000	0.3
40	32	2xM32 / 2xM32+M16	168	138	68	BW440YTPN	2CMA142446R1000	0.4



## Ordering information

### Plastic enclosed switch-disconnectors



OTP16BA3M,  
OTP16BA3M25



OTP25...32BA3M



OTP45...63BA3M



OTP100...125BA3M



OTP100...125BA3U



OT160EVFCC3BA



OT200...315KFCC3BA



OT400DFCC3BA



OT630...800KFCC3BA

### Enclosed switch-disconnectors, 3 pole, red-yellow handle, IP65

The delivery includes a handle (I-O/ON-OFF), N- and PE-terminals.  
Includes red-yellow handle with cover interlock and defeatable interlock function.

#### Cable entries from top and bottom

Rated current		Cable outlets/side	Dimensions			Type	Order number	Weight /unit kg
AC-22A 415V	AC-23A 415V		Height mm	Width mm	Depth mm			

**Selector handle. Two membrane cable glands and two pull stoppers.**  
Auxiliary contacts included: none • Auxiliary contacts max: 1NO+1NC

16	16	2xM20 / 2xM20	120	85	60	OTP16BA3M	1SCA022401R3350	0.4
16	16	2xM25 / 2xM25	120	85	60	OTP16BA3M25	1SCA022699R2960	0.4

**Selector handle**  
Auxiliary contacts included: none • Auxiliary contacts max: 2NO+2NC

25	20	2xM25+M16 / 2xM25+M16	150	130	85	OTP25BA3M	1SCA022401R3430	0.5
40	23		150	130	85	OTP32BA3M	1SCA022401R3510	0.5
63	45	2xM32+M16 / 2xM32+M16	200	145	90	OTP45BA3M	1SCA022401R3600	0.9
80	75		200	145	90	OTP63BA3M	1SCA022401R3780	0.9
100	80	2xM50+M16 / 2xM50+M16	400	200	140	OTP100BA3M	1SCA126069R1001	2.4
125	90		400	200	140	OTP125BA3M	1SCA022812R7420	2.4

**Selector handle**  
Auxiliary contacts included: none • Auxiliary contacts max: 2NO+2NC

100	80	Blank / Blank	400	200	140	OTP100BA3U	1SCA126057R1001	2.4
125	90		400	200	140	OTP125BA3U	1SCA022401R3940	2.4

Auxiliary contacts included: none • Auxiliary contacts max: 2NO+2NC

100	100	I-flange / I-flange	400	200	140	OTP100BA3B	1SCA126067R1001	2.4
125	125		400	200	140	OTP125BA3B	1SCA022389R7420	2.4

**Pistol handle**  
Auxiliary contacts included: none • Auxiliary contacts max: 2NO+1NC

160	160	II-flange / II-flange	380	280	130	OT160EVFCC3BA	1SCA148616R1001	4.0
200	200		560	380	180	OT200KFCC3BA	1SCA022833R9950	9.0
250	250		560	380	180	OT250KFCC3BA	1SCA022834R0020	9.0
315	315		560	380	180	OT315KFCC3BA	1SCA022834R0110	9.0
400	400	2xII-flange / 2xII-flange	840	380	180	OT400DFCC3BA	1SCA022834R0290	16.0
570	570		760	560	250	OT630KFCC3BA	1SCA022834R0370	20.0
720	720		760	560	250	OT800KFCC3BA	1SCA022834R0450	30.0

Knock-out flanges, flanges have to be ordered separately.  
Threaded knock-outs, compression glands have to be ordered separately.

## Ordering information

### Plastic enclosed switch-disconnectors

#### Enclosed switch-disconnectors, 4 pole, red-yellow handle, IP65

The delivery includes a red-yellow handle (I-O/ON-OFF) with cover interlock and defeatable interlock function, N- and PE-terminals.



OTP16...32BA4M



OTP45...63BA4M



OTP125BA4M



OTP125BA4U



OT160EVFCC4BA



OT200...315KFCC4BA



OT400DFCC4BA



OT630...800KFCC4BA

#### Cable entries from top and bottom

Rated current		Cable outlets/side	Dimensions			Type	Order number	Weight /unit kg
AC-22A 415V	AC-23A 415V		Height mm	Width mm	Depth mm			

#### Selector handle

Auxiliary contacts included: none • Auxiliary contacts max: 2NO+2NC

16	16	2xM25+M16 / 2xM25+M16	150	130	85	OTP16BA4M	1SCA022459R6510	0.6
25	20		150	130	85	OTP25BA4M	1SCA022459R6600	0.7
40	23		150	130	85	OTP32BA4M	1SCA022459R6780	0.8
63	45	2xM32+M16 / 2xM32+M16	200	145	90	OTP45BA4M	1SCA022459R6860	1.0
80	75		200	145	90	OTP63BA4M	1SCA022459R6940	1.0
125	90	2xM50+M16 / 2xM50+M16	400	200	140	OTP125BA4M	1SCA022812R7510	2.5

#### Selector handle

Auxiliary contacts included: none • Auxiliary contacts max: 2NO+2NC

125	90	Blank / Blank	400	200	140	OTP125BA4U	1SCA022459R7160	2.5	2.5
-----	----	---------------	-----	-----	-----	------------	-----------------	-----	-----

#### Selector handle

Auxiliary contacts included: none • Auxiliary contacts max: 2NO+1NC

160	160	II-flange / II-flange	380	280	130	OT160EVFCC4BA	1SCA148618R1001	4.3
200	200		560	380	180	OT200KFCC4BA	1SCA022834R0530	9.0
250	250		560	380	180	OT250KFCC4BA	1SCA022834R0610	9.0
315	315		560	380	180	OT315KFCC4BA	1SCA022834R0700	9.0
400	400		840	380	180	OT400DFCC4BA	1SCA022834R0880	16.0
570	570	2xII-flange / 2xII-flange	760	560	250	OT630KFCC4BA	1SCA022834R1000	20.0
720	720		760	560	250	OT800KFCC4BA	1SCA022834R1180	30.0

Threaded knock-outs, compression glands have to be ordered separately.  
Knock-out flanges, flanges have to be ordered separately.

## Ordering information

### Plastic enclosed switch-disconnectors



OTP16...32BA6M



OTP45...63BA6M



OTP125BA6M



OTP125BA6U



OT200KFCC6BA,  
OT250KFCC6B,  
OT315KFCC6BA,  
OT400DFCC6BA

#### Enclosed switch-disconnectors, 6 pole, red-yellow, IP65

The delivery includes a red-yellow handle (I-O/ON-OFF) with cover interlock and defeatable interlock function, N- and PE-terminals.

##### Cable entries from top and bottom

Rated current		Cable outlets/side	Dimensions			Type	Order number	Weight /unit kg
AC-22A	AC-23A		Height	Width	Depth			
415V	415V		mm	mm	mm			

##### Selector handle

Auxiliary contacts included: none • Auxiliary contacts max: 2NO+1NC

16	16	2xM25+M16 / 2xM25+M16	150	130	85	OTP16BA6M	1SCA022401R6880	0.7
25	20		150	130	85	OTP25BA6M	1SCA022401R6960	0.7
40	23		150	130	85	OTP32BA6M	1SCA022401R7000	0.7

##### Pistol handle

Auxiliary contacts included: none • Auxiliary contacts max: 2NO+2NC

45	45	2xM32+M16 / 2xM32+M16	200	145	90	OTP45BA6M	1SCA022401R7180	1.6
63	63		200	145	90	OTP63BA6M	1SCA022401R7260	1.6
125	90	2xM50+M16 / 2xM50+M16	400	200	140	OTP125BA6M	1SCA022812R7690	3.2

##### Selector handle

Auxiliary contacts included: none • Auxiliary contacts max: 2NO+2NC

125	90	Blank / Blank	400	200	140	OTP125BA6U	1SCA022401R7690	3.0
-----	----	---------------	-----	-----	-----	------------	-----------------	-----

##### Pistol handle. II-flange cable entry

Auxiliary contacts included: none • Auxiliary contacts max: 4NO+2NC

200	200	2xII-flange / 2xII-flange	760	560	250	OT200KFCC6BA	1SCA022845R1790	21.0
250	250		760	560	250	OT250KFCC6BA	1SCA022512R1450	21.0
315	315		760	560	250	OT315KFCC6BA	1SCA022845R1950	21.0
400	400		760	560	250	OT400DFCC6BA	1SCA022845R2090	29.0

Threaded knock-outs, compression glands have to be ordered separately.  
Knock-out flanges, flanges have to be ordered separately.

## Ordering information

### Plastic enclosed switch-disconnectors

#### Enclosed DC switch-disconnectors OTDCP\_, IP65

The delivery includes a handle (I-O/ON-OFF) with cover interlock and defeatable interlock function. Auxiliary contacts not included.



OTDCP16...32SA11M



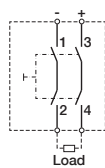
OTDCP16...32S11M



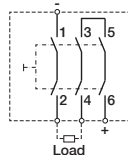
OTDCP16...32SA12M



OTDCP16...32S12M



OTDCP\_11\_



OTDCP\_12\_

#### Up to 1000 VDC - Cable entries from top and bottom

Poles	Rated current DC-21B <1000V [A]	Cable outlets/side	Dimensions			Type	Order number	Weight /unit kg
			Height mm	Width mm	Depth mm			
<b>Red-yellow selector handle</b>								
2	16	2xM20 / 2xM20	150	95	95	OTDCP16SA11M	1SCA125126R1001	0.6
2	25		150	95	95	OTDCP25SA11M	1SCA125127R1001	0.6
2	32		150	95	95	OTDCP32SA11M	1SCA125128R1001	0.6
<b>Black selector handle</b>								
2	16	2xM20 / 2xM20	150	95	95	OTDCP16S11M	1SCA125129R1001	0.6
2	25		150	95	95	OTDCP25S11M	1SCA125130R1001	0.6
2	32		150	95	95	OTDCP32S11M	1SCA125131R1001	0.6

#### Up to 1000 VDC - Cable entries from top and bottom

Poles	Rated current DC-21B <1000V [A]	Cable outlets/side	Dimensions			Type	Order number	Weight /unit kg
			Height mm	Width mm	Depth mm			
<b>Red-yellow selector handle</b>								
3	16	2xM20 / 2xM20	150	95	95	OTDCP16SA12M	1SCA125150R1001	0.6
3	25		150	95	95	OTDCP25SA12M	1SCA125151R1001	0.6
3	32		150	95	95	OTDCP32SA12M	1SCA125152R1001	0.6
<b>Black selector handle</b>								
3	16	2xM20 / 2xM20	150	95	95	OTDCP16S12M	1SCA125153R1001	0.6
3	25		150	95	95	OTDCP25S12M	1SCA125154R1001	0.6
3	32		150	95	95	OTDCP32S12M	1SCA125155R1001	0.6
<b>Red-yellow selector handle</b>								
4	16	2xM20 / 2xM20	150	95	95	OTDCP16SA13M	1SCA125114R1001	0.6
4	25		150	95	95	OTDCP25SA13M	1SCA125115R1001	0.6
4	32		150	95	95	OTDCP32SA13M	1SCA125116R1001	0.6
<b>Black selector handle</b>								
4	16	2xM20 / 2xM20	150	95	95	OTDCP16S13M	1SCA125117R1001	0.6
4	25		150	95	95	OTDCP25S13M	1SCA125118R1001	0.6
4	32		150	95	95	OTDCP32S13M	1SCA125119R1001	0.6

## Ordering information

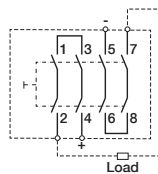
### Plastic enclosed switch-disconnectors



OTDCP16...32SA22M,  
OTDCP16...32SA22M25



OTDCP16...32S22M



OTDCP\_22\_

### Enclosed DC switch-disconnectors OTDCP\_, IP65

The delivery includes a handle (I-O/ON-OFF) with cover interlock and defeatable interlock function. Auxiliary contacts not included.

#### Up to 1000 VDC - Cable entries from top and bottom

Poles	Rated current DC-21B <1000V [A]	Cable outlets/side	Dimensions			Type	Order number	Weight /unit kg
			Height mm	Width mm	Depth mm			
<b>Red-yellow selector handle</b>								
4	16	2xM20 / 2xM20	150	95	95	OTDCP16SA22M	1SCA125094R1001	0.6
4	16	2xM25 / 2xM25	174	95	95	OTDCP16SA22M25	1SCA144900R1001	0.7
4	25	2xM20 / 2xM20	150	95	95	OTDCP25SA22M	1SCA125091R1001	0.6
4	25	2xM25 / 2xM25	174	95	95	OTDCP25SA22M25	1SCA144902R1001	0.7
4	32	2xM20 / 2xM20	150	95	95	OTDCP32SA22M	1SCA125090R1001	0.6
4	32	2xM25 / 2xM25	174	95	95	OTDCP32SA22M25	1SCA144904R1001	0.7
<b>Black selector handle</b>								
4	16	2xM20 / 2xM20	150	95	95	OTDCP16S22M	1SCA125095R1001	0.6
4	25		150	95	95	OTDCP25S22M	1SCA125092R1001	0.6
4	32		150	95	95	OTDCP32S22M	1SCA125093R1001	0.6

<sup>1)</sup> 1000 V with all poles in series, 660 V with 2 poles in series

## Ordering information

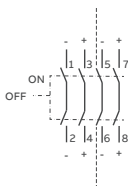
### Plastic enclosed switch-disconnectors



OTDCP16...32SA22MD



OTDCP16...32S22MD



OTDCP\_22MD

#### Enclosed DC switch-disconnectors OTDCP\_, IP65

The delivery includes a handle (I-O/ON-OFF) with cover interlock and defeatable interlock function. Auxiliary contacts not included.

#### Double circuit use, 2 X 660 VDC - Cable entries from top and bottom

Poles	Rated current DC-21B <1000V [A]	Cable outlets/side	Dimensions			Type	Order number	Weight /unit kg
			Height mm	Width mm	Depth mm			
<b>Red-yellow selector handle</b>								
4	16	2xM20 / 2xM20	167	108	142	OTDCP16SA22MD	1SCA131850R1001	0.6
4	25		167	108	142	OTDCP25SA22MD	1SCA131851R1001	0.6
4	32		167	108	142	OTDCP32SA22MD	1SCA131852R1001	0.6
<b>Black selector handle</b>								
4	16	2xM20 / 2xM20	167	108	142	OTDCP16S22MD	1SCA131730R1001	0.6
4	25		167	108	142	OTDCP25S22MD	1SCA131731R1001	0.6
4	32		167	108	142	OTDCP32S22MD	1SCA131732R1001	0.6

## Ordering information

### Steel sheet enclosed switch-disconnectors

#### Enclosed switch-disconnectors, 3 pole, black handle, IP65

The delivery includes a black handle (I-O/ON-OFF), N- and PE-terminals with cover interlock and defeatable interlock function.

#### Cable entries from top and bottom

Rated current		Cable outlets/side	Dimensions			Type	Order number	Weight /unit kg
AC-22A 415V	AC-23A 415V		Height mm	Width mm	Depth mm			

#### Selector handle

Auxiliary contacts included: none • Auxiliary contacts max: 2NC

16	16	2x $\varnothing$ 25.5+ $\varnothing$ 16.5 / 2x $\varnothing$ 25.5+ $\varnothing$ 16.5	200	150	100	OTL16B3M	1SCA022562R1260	1.7
25	20		200	150	100	OTL25B3M	1SCA022562R2400	1.7
40	23		200	150	100	OTL32B3M	1SCA022562R3630	1.7

#### Selector handle

Auxiliary contacts included: none • Auxiliary contacts max: 1NO+2NC

63	45	2x $\varnothing$ 32.5+ $\varnothing$ 16.5 / 2x $\varnothing$ 32.5+ $\varnothing$ 16.5	200	150	100	OTL45B3M	1SCA022562R4790	1.9
80	75		200	150	100	OTL63B3M	1SCA022562R5920	1.9

#### Pistol handle

Auxiliary contacts included: none • Auxiliary contacts max: 1NO+2NC

100	80	B-flange / B-flange	300	200	135	OTL100B3B	1SCA022562R8350	3.4
125	90		300	200	135	OTL125B3B	1SCA022562R9590	3.4

#### Pistol handle. Blank cable entry.

Auxiliary contacts included: none • Auxiliary contacts max: 2NC

40	23	Blank / Blank	300	200	135	OTL32B3U	1SCA127689R1001	1.7
----	----	---------------	-----	-----	-----	----------	-----------------	-----

Auxiliary contacts included: none • Auxiliary contacts max: 1NO+2NC

80	75	Blank / Blank	300	200	135	OTL63B3U	1SCA127686R1001	1.9
100	80		300	200	135	OTL100B3U	1SCA022562R8430	3.4
125	90		300	200	135	OTL125B3U	1SCA022562R9670	3.4

Cable knock-outs as standard, compression glands and flanges have to be ordered separately.



OTL16...63B3M



OTL100...125B3B



OTL32...125B3U

## Ordering information

### Steel sheet enclosed switch-disconnectors

#### Enclosed switch-disconnectors, 3 pole, black handle, IP65

The delivery includes a black pistol handle (I-O/ON-OFF), N- and PE-terminals. The handle includes cover interlock and defeatable interlock function. Delivery with blank cable entries, which are also used for fixing the enclosed switch.



OT125GLUU3BZ,  
OT160EVLUU3BZ



OT200...315KLUU3BZ



OT1250KLUU3BZ



OT200KAUU3BZ

#### Cable entries from top and bottom

Rated current		Cable outlets/side	Dimensions			Type	Order number	Weight /unit kg
AC-22A 415V	AC-23A 415V		Height mm	Width mm	Depth mm			
Auxiliary contacts included: none • Auxiliary contacts max: 2NO+1NC								
125	125	Blank / Blank	400	250	180	OT125GLUU3BZ <sup>1)</sup>	1SCA148274R1001	9.5
160	160		400	250	180	OT160EVLUU3BZ <sup>1)</sup>	1SCA148267R1001	10.4
200	200		600	400	230	OT200KLUU3BZ	1SCA022602R0630	17.0
250	250		600	400	230	OT250KLUU3BZ	1SCA022602R0710	17.0
315	315		600	400	230	OT315KLUU3BZ	1SCA022572R6010	20.0
400	400		800	400	230	OT400DLUU3BZ	1SCA022602R0800	24.0
570	570		1000	400	230	OT630KLUU3BZ	1SCA022750R1510	33.0
720	720		1000	400	230	OT800KLUU3BZ	1SCA022750R1600	33.0
1000	1000		1200	800	230	OT1000KLUU3BZ	1SCA022750R1780	75.0
1250	1250		1200	800	330	OT1250KLUU3BZ	1SCA022750R1860	92.0
1600	1250		1200	800	330	OT1600KLUU3BZ	1SCA022750R1940	94.0

<sup>1)</sup> OT125GLUU3BZ and OT160EVLUU3BZ includes knock out holes:  
10mm, 12.5mm, 20.5mm, 25.5mm, 32.5mm, 40.5mm

#### Cable entries bottom-bottom

Rated current		Cable outlets/side	Dimensions			Type	Order number	Weight /unit kg
AC-22A 415V	AC-23A 415V		Height mm	Width mm	Depth mm			
Auxiliary contacts included: none • Auxiliary contacts max: 2NO+1NC								
200	200	Blank / Blank	600	400	230	OT200KAUU3BZ	1SCA127313R1001	23.0
250	250		800	400	230	OT250KAUU3BZ	1SCA127314R1001	27.0



## Ordering information

### Steel sheet enclosed switch-disconnectors



OT125GLCC3BZ,  
OT160EVLCC3BZ



OT200...250KLCC3BZ



OT630KLCC3BZ



OT200...315KLUU3BZ



OT630...800KLUU3BZ

#### Enclosed switch-disconnectors, 3 pole, black handle, IP65

The delivery includes a black pistol handle (I-O/ON-OFF), N- and PE-terminals. The handle has cover interlock and defeatable interlock function. The delivery includes C-flange cable plates, which are used also for fixing the enclosed switch-disconnectors. One incoming and one outgoing cables are considered. When more than one cable entry is available, the delivery includes C-flange cover plates.

#### Cable entries from top and bottom

Rated current		Cable outlets/side	Dimensions			Cover flanges included [pcs]	Type	Order number	Weight /unit kg
AC-22A	AC-23A		Height	Width	Depth				
415V	415V		mm	mm	mm				
125	125	C-flange / C-flange	400	250	180	0	OT125GLCC3BZ	1SCA148273R1001	9.5
160	160	C-flange / C-flange	400	250	180	0	OT160EVLCC3BZ	1SCA148265R1001	10.4
200	200	2xC-flange / 2xC-flange	600	400	230	2	OT200KLCC3BZ	1SCA110114R1001	17.5
250	250		600	400	230	2	OT250KLCC3BZ	1SCA110115R1001	17.5
570	570		1000	400	230	2	OT630KLCC3BZ	1SCA110121R1001	33.0

The cable entry plates contains knock-outs: 10mm, 12.5mm, 20.5mm, 25.5mm, 32.5mm  
Auxiliary contacts included: none • Auxiliary contacts max: 2NO+1NC

Cable entry plates, flange covers and flanges have to be ordered separately

## Ordering information

### Steel sheet enclosed switch-disconnectors

#### Enclosed switch-disconnectors, 4 pole, black handle, IP65

The delivery includes a black handle ((I-O/ON-OFF), N- and PE-terminals) with cover interlock and defeatable interlock function



OTL16...63B4M



OTL100...125B4B



OTL100...125B4U

#### Cable entries from top and bottom

Rated current		Cable outlets/side	Dimensions			Type	Order number	Weight /unit kg
AC-22A 415V	AC-23A 415V		Height mm	Width mm	Depth mm			

#### Selector handle

Auxiliary contacts included: none • Auxiliary contacts max: 2NO+2NC

16	16		200	150	100	OTL16B4M	1SCA022562R4120	1.6
25	20	2xø25.5+ø16.5 / 2xø25.5+ø16.5	200	150	100	OTL25B4M	1SCA022562R2660	1.7
40	23		200	150	100	OTL32B4M	1SCA022562R3800	1.7

Auxiliary contacts included: none • Auxiliary contacts max: 2NO+1NC

63	45	2xø32.5+ø16.5 / 2xø32.5+ø16.5	200	150	100	OTL45B4M	1SCA022562R4950	1.9
80	75		200	150	100	OTL63B4M	1SCA022562R6140	1.9

#### Pistol handle

Auxiliary contacts included: none • Auxiliary contacts max: 2NO+2NC

100	80	B-flange / B-flange	300	200	135	OTL100B4B	1SCA022562R8510	3.4
100	80	Blank / Blank	300	200	135	OTL100B4U	1SCA022562R8600	3.4
125	90	B-flange / B-flange	300	200	135	OTL125B4B	1SCA022562R9830	3.4
125	90	Blank / Blank	300	200	135	OTL125B4U	1SCA022562R9910	3.4

Cable knock-outs as standard, compression glands have to be ordered separately.

## Ordering information

### Steel sheet enclosed switch-disconnectors

#### Enclosed switch-disconnectors, 4 pole, black handle, IP65

The delivery includes a black pistol handle (I-O/ON-OFF), N- and PE-terminals. The handle has cover interlock and defeatable interlock function.



OT125GLUU4BZ,  
OT160EVLUU4BZ



OT200...315KLUU4BZ



OT1250...1600KLUU4BZ



OT125GLCC4BZ,  
OT160EVLCC4BZ



OT200...315KLAA4BZ



OT630...800KLAA4BZ

#### Cable entries from top and bottom

Rated current		Cable outlets/side	Dimensions			Type	Order number	Weight /unit
AC-22A	AC-23A		Height	Width	Depth			
415V	415V		mm	mm	mm			kg

#### Blank cable entries, which are used also for fixing the enclosed switch-disconnectors.

Auxiliary contacts included: none • Auxiliary contacts max: 2NO+1NC

125	125	Blank / Blank	400	250	180	OT125GLUU4BZ <sup>1)</sup>	1SCA148277R1001	9.5
160	160		400	250	180	OT160EVLUU4BZ <sup>1)</sup>	1SCA148270R1001	10.6
200	200		600	400	230	OT200KLUU4BZ	1SCA022800R5740	17.0
250	250		600	400	230	OT250KLUU4BZ	1SCA022800R7360	17.0
315	315		600	400	230	OT315KLUU4BZ	1SCA022801R0070	20.0
400	400		800	400	230	OT400DLUU4BZ	1SCA022801R0660	24.0
570	570		1000	400	230	OT630KLUU4BZ	1SCA022830R4490	31.0
720	720		1000	400	230	OT800KLUU4BZ	1SCA022830R4570	31.0
1000	1000		1200	800	230	OT1000KLUU4BZ	1SCA104473R1001	75.0
1250	1250		1200	800	330	OT1250KLUU4BZ	1SCA104455R1001	92.0
1600	1250		1200	800	330	OT1600KLUU4BZ	1SCA104504R1001	96.0

#### C-flange cable plates, which are used also for fixing the enclosed switch-disconnectors.

One incoming and one outgoing cable are considered. When more than one cable entry is available, the delivery includes C-flange cover plates.

Auxiliary contacts included: none • Auxiliary contacts max: 2NO+1NC

125	125	C-flange / C-flange	400	250	180	OT125GLCC4BZ	1SCA148275R1001	9.5
160	160	C-flange / C-flange	400	250	180	OT160EVLCC4BZ	1SCA148268R1001	10.6

#### Open cable entries

Auxiliary contacts included: none • Auxiliary contacts max: 2NO+1NC

200	200	Open / Open	600	400	230	OT200KLAA4BZ	1SCA022342R5410	18.0
250	250		600	400	230	OT250KLAA4BZ	1SCA022342R5840	18.0
315	315		600	400	230	OT315KLAA4BZ	1SCA022342R6220	18.0
400	400		800	400	230	OT400DLAA4BZ	1SCA022342R6650	24.0
570	570		1000	400	230	OT630KLAA4BZ	1SCA022342R7030	31.0
720	720		1000	400	230	OT800KLAA4BZ	1SCA022342R7460	31.0
1000	1000		1200	800	230	OT1000KLAA4BZ	1SCA022569R4220	75.0
1250	1250		1200	800	330	OT1250KLAA4BZ	1SCA022569R4490	92.0
1600	1250		1200	800	330	OT1600KLAA4BZ	1SCA022569R4650	95.0

<sup>1)</sup> OT125GLUU4BZ and OT160EVLUU4BZ include knock out holes: 10mm, 12.5mm, 20.5mm, 25.5mm, 32.5mm, 40.5mm

## Ordering information

### Steel sheet enclosed switch-disconnectors



OTL16...32B6M



OTL45...63B6B



OTL45...63B6U



OT125GLUU6BZ



OT160EVLUU6BZ,  
OT200KLUU6BZ



OT250...315KLUU6BZ,  
OT400DLUU6BZ

#### Enclosed switch-disconnectors, 6 pole, black handle, IP65

The delivery includes a black handle (I-O/ON-OFF), N- and PE-terminals. The handle has cover interlock and defeatable interlock function.

##### Cable entries from top and bottom

Rated current		Cable outlets/side	Dimensions			Type	Order number	Weight /unit
AC-22A 415V	AC-23A 415V		Height	Width	Depth			
			mm	mm	mm			kg

##### Selector handle

Auxiliary contacts are not included.

16	16	2xø25.5+ø16.5 / 2xø25.5+ø16.5	200	150	100	OTL16B6M	1SCA022562R1690	1.8
25	20		200	150	100	OTL25B6M	1SCA022562R2820	1.8
40	23		200	150	100	OTL32B6M	1SCA022562R4010	1.8

##### Pistol handle

Auxiliary contacts included: none • Auxiliary contacts max: 1NO+1NC

63	45	B-flange / B-flange	300	200	135	OTL45B6B	1SCA022610R4730	3.5
63	45	Blank / Blank	300	200	135	OTL45B6U	1SCA022610R4810	3.5
80	75	B-flange / B-flange	300	200	135	OTL63B6B	1SCA022610R4900	3.5
80	75	Blank / Blank	300	200	135	OTL63B6U	1SCA022610R5030	3.5

##### Pistol handle

The delivery includes blank cable entries, which are used also for fixing the enclosed switch-disconnectors.

Auxiliary contacts included: none • Auxiliary contacts max: 2NO+2NC

125	125	Blank / Blank	400	400	230	OT125GLUU6BZ	1SCA148482R1001	16.4
160	160		600	800	230	OT160EVLUU6BZ	1SCA148021R1001	37.0

##### Pistol handle

The delivery includes blank cable entries, which are used also for fixing the enclosed switch-disconnectors.

Auxiliary contacts included: none • Auxiliary contacts max: 4NO+2NC

200	200	Blank / Blank	600	800	230	OT200KLUU6BZ	1SCA022802R4610	35.0
250	250		800	800	230	OT250KLUU6BZ	1SCA022802R4530	40.0
315	315		800	800	230	OT315KLUU6BZ	1SCA022804R0900	43.0
400	400		800	800	230	OT400DLUU6BZ	1SCA022804R1030	43.0
570	570		1000	800	230	OT630KLUU6BZ	1SCA022834R1260	52.0
720	720		1000	800	230	OT800KLUU6BZ	1SCA022834R1690	52.0

Cable knock-outs as standard, compression glands have to be ordered separately.

## Ordering information

### Steel sheet enclosed switch-disconnectors

#### Enclosed switch-disconnectors, 6 pole, black handle, IP65

The delivery includes a black pistol handle (I-O/ON-OFF), N- and PE-terminals. The handle has cover interlock and defeatable interlock function.

#### Cable entries from top and bottom - C-flange cable entries

Rated current		Cable outlets/side	Dimensions			Type	Order number	Weight /unit
AC-22A	AC-23A		Height	Width	Depth			
415V	415V		mm	mm	mm			kg

**C-flange cable plates, which are used also for fixing the enclosed switch-disconnectors.**  
One incoming and one outgoing cable are considered. When more than one cable entry is available, the delivery includes C-flange cover plates.

Auxiliary contacts included: none • Auxiliary contacts max: 2NO+1NC

125	125	2xC-flange / 2xC-flange	400	400	230	OT125GLCC6BZ	1SCA148480R1001	16.4
160	160	4xC-flange / 4xC-flange	600	800	230	OT160EVLCC6BZ	1SCA148022R1001	37.0

#### Open cable entries

Cable entry plates, flange covers and flanges have to be ordered separately

Auxiliary contacts included: none • Auxiliary contacts max: 2NO+1NC

125	125	Open / Open	400	250	180	OT125ELAA6BZ	1SCA022740R6950	11.0
-----	-----	-------------	-----	-----	-----	--------------	-----------------	------

#### Open cable entries

Auxiliary contacts included: none • Auxiliary contacts max: 4NO+2NC

200	200	Open / Open	600	800	230	OT200KLUU6BZ	1SCA022717R9520	17.0
250	250		800	800	230	OT250KLUU6BZ	1SCA022802R5770	34.0
315	315		800	800	230	OT315KLUU6BZ	1SCA022804R1110	37.0
400	400		800	800	230	OT400DLUU6BZ	1SCA022804R1200	37.0
570	570		1000	800	230	OT630KLUU6BZ	1SCA022834R1420	46.0
720	720		1000	800	230	OT800KLUU6BZ	1SCA022834R1340	46.0

Cable knock-outs as standard, compression glands have to be ordered separately.



OT125GLCC6BZ



OT160EVLCC6BZ

## Ordering information

### Steel sheet enclosed switch-disconnectors



OTL16...63BA3M



OTL100...125BA3B



OTL100...125BA3U



OT400DLUU3BAZ

#### Enclosed switch-disconnectors, 3 pole, red-yellow handle, IP65

The delivery includes a red-yellow handle (I-O/ON-OFF), N- and PE-terminals. The handle has cover interlock and defeatable interlock function.

##### Cable entries from top and bottom

Rated current		Cable outlets/side	Dimensions			Type	Order number	Weight /unit
AC-22A	AC-23A		Height	Width	Depth			
415V	415V		mm	mm	mm			kg

##### Selector handle

Auxiliary contacts included: none • Auxiliary contacts max: 2NC

16	16		200	150	100	OTL16BA3M	1SCA022562R1850	1.7
25	20	2xø25.5+ø16.5 / 2xø25.5+ø16.5	200	150	100	OTL25BA3M	1SCA022562R3040	1.7
40	23		200	150	100	OTL32BA3M	1SCA022562R4100	1.7

##### Selector handle

Auxiliary contacts included: none • Auxiliary contacts max: 1NO+2NC

63	45	2xø32.5+ø16.5 / 2xø32.5+ø16.5	200	150	100	OTL45BA3M	1SCA022562R5330	1.9
80	75		200	150	100	OTL63BA3M	1SCA022562R6570	1.9

##### Pistol handle

Auxiliary contacts included: none • Auxiliary contacts max: 1NO+2NC

100	80	B-flange / B-flange	300	200	135	OTL100BA3B	1SCA022562R8940	3.4
100	80	Blank / Blank	300	200	135	OTL100BA3U	1SCA022562R9080	3.4
125	90	B-flange / B-flange	300	200	135	OTL125BA3B	1SCA022563R0250	3.4
125	90	Blank / Blank	300	200	135	OTL125BA3U	1SCA022563R0330	3.4

##### Pistol handle

Blank cable entry plates

Auxiliary contacts included: none • Auxiliary contacts max: 2NO+1NC

400	400		800	400	230	OT400DLUU3BAZ	1SCA140694R1001	26.0
720	720	Blank / Blank	1000	400	230	OT800KLUU3BAZ	1SCA140695R1001	33.0

Cable knock-outs as standard, compression glands have to be ordered separately.

## Ordering information

### Steel sheet enclosed switch-disconnectors

#### Enclosed switch-disconnectors, 4 pole, red-yellow handle, IP65

The delivery includes a red-yellow handle (I-O/ON-OFF), N- and PE-terminals. The handle has cover interlock and defeatable interlock function.



OTL16...63BA4M



OTL100...125BA4B



OTL100...125BA4U

#### Cable entries from top and bottom

Rated current		Cable outlets/side	Dimensions			Type	Order number	Weight /unit kg
AC-22A 415V	AC-23A 415V		Height mm	Width mm	Depth mm			

#### Selector handle

Auxiliary contacts included: none • Auxiliary contacts max: 2NO+2NC

Rated current	Rated voltage	Cable outlets/side	Height (mm)	Width (mm)	Depth (mm)	Type	Order number	Weight (kg)
16	16	2xø25.5+ø16.5 / 2xø25.5+ø16.5	200	150	100	OTL16BA4M	1SCA022562R2070	1.7
25	20		200	150	100	OTL25BA4M	1SCA022562R3210	1.7
40	23		200	150	100	OTL32BA4M	1SCA022562R4360	1.7

Auxiliary contacts included: none • Auxiliary contacts max: 2NO+1NC

Rated current	Rated voltage	Cable outlets/side	Height (mm)	Width (mm)	Depth (mm)	Type	Order number	Weight (kg)
63	45	2xø32.5+ø16.5 /	200	150	100	OTL45BA4M	1SCA022562R5500	1.9
80	75	2xø32.5+ø16.5	200	150	100	OTL63BA4M	1SCA022562R6730	1.9

#### Pistol handle

Auxiliary contacts included: none • Auxiliary contacts max: 2NO+2NC

Rated current	Rated voltage	Cable outlets/side	Height (mm)	Width (mm)	Depth (mm)	Type	Order number	Weight (kg)
100	80	B-flange / B-flange	300	200	135	OTL100BA4B	1SCA022562R9160	3.4
100	80	Blank / Blank	300	200	135	OTL100BA4U	1SCA022562R9240	3.4
125	90	B-flange / B-flange	300	200	135	OTL125BA4B	1SCA022563R0410	3.4
125	90	Blank / Blank	300	200	135	OTL125BA4U	1SCA022563R0500	3.4

## Ordering information

### Steel sheet enclosed switch-disconnectors



OTL16...32BA6M



OTL45...63BA6U



OTL45...63BA6M



OT400DLUU3BAZ

#### Enclosed switch-disconnectors, 6 pole, red-yellow handle, IP65

The delivery includes a red-yellow handle (I-O/ON-OFF), N- and PE-terminals. The handle has cover interlock and defeatable interlock function.

##### Cable entries from top and bottom

Rated current		Cable outlets/side	Dimensions			Type	Order number	Weight /unit
AC-22A	AC-23A		Height	Width	Depth			
415V	415V		mm	mm	mm			kg

##### Selector handle

Auxiliary contacts included: none • Auxiliary contacts max: ONO+ONC

16	16		200	150	100	OTL16BA6M	1SCA022562R2230	1.8
25	20	2xø25.5+ø16.5 / 2xø25.5+ø16.5	200	150	100	OTL25BA6M	1SCA022562R3470	1.8
40	23		200	150	100	OTL32BA6M	1SCA022562R4520	1.8

##### Pistol handle

Auxiliary contacts included: none • Auxiliary contacts max: 1NO+1NC

63	45	B-flange / B-flange	300	200	135	OTL45BA6B	1SCA022610R5110	3.5
63	45	Blank / Blank	300	200	135	OTL45BA6U	1SCA022610R5200	3.5
80	75	B-flange / B-flange	300	200	135	OTL63BA6B	1SCA022610R5380	3.5
80	75	Blank / Blank	300	200	135	OTL63BA6U	1SCA022610R5460	3.5

Cable knock-outs as standard, compression glands have to be ordered separately.



## Ordering information

### Stainless steel enclosed switch-disconnectors

#### Enclosed switch-disconnectors, 3 pole, black handle, IP65

The delivery includes a black handle (I-O/ON-OFF), N- and PE-terminals. The handle has cover interlock and defeatable interlock function.

#### Cable entries from top and bottom

Rated current		Cable outlets/side	Dimensions			Type	Order number	Weight /unit kg
AC-22A 415V	AC-23A 415V		Height mm	Width mm	Depth mm			

#### Selector handle

Auxiliary contacts included: none • Auxiliary contacts max: 2NC

16	16	2x $\varnothing$ 25.5+ $\varnothing$ 16.5 / 2x $\varnothing$ 25.5+ $\varnothing$ 16.5	200	150	100	OTR16B3M	1SCA022567R9420	1.7
25	16		200	150	100	OTR25B3M	1SCA022567R9690	1.7
40	16		200	150	100	OTR32B3M	1SCA022567R9850	1.7

#### Selector handle

Auxiliary contacts included: none • Auxiliary contacts max: 1NO+2NC

63	16	2x $\varnothing$ 32.5+ $\varnothing$ 16.5 / 2x $\varnothing$ 32.5+ $\varnothing$ 16.5	200	150	100	OTR45B3M	1SCA022567R0010	1.9
80	16		200	150	100	OTR63B3M	1SCA022567R0270	1.9

Cable knock-outs as standard, compression glands have to be ordered separately.

#### Pistol handle

Auxiliary contacts included: none • Auxiliary contacts max: 1NO+2NC

100	80	B-flange / B-flange	300	200	135	OTR100B3B	1SCA022568R0510	3.4
100	80	Blank / Blank	300	200	135	OTR100B3U	1SCA022568R0600	3.4
125	90	B-flange / B-flange	300	200	135	OTR125B3B	1SCA022568R0780	3.4
125	90	Blank / Blank	300	200	135	OTR125B3U	1SCA022568R0860	3.4

#### Pistol handle

Auxiliary contacts included: none • Auxiliary contacts max: 2NC

16	16	Blank / Blank	200	150	100	OTR16B3U	1SCA127690R1001	1.7
----	----	---------------	-----	-----	-----	----------	-----------------	-----

#### Pistol handle

Auxiliary contacts included: none • Auxiliary contacts max: 1NO+2NC

63	63	Blank / Blank	200	150	100	OTR45B3U	1SCA127687R1001	1.9
----	----	---------------	-----	-----	-----	----------	-----------------	-----



OTR16...63B3M



OTR100...125B3B



OTR100...125B3U

## Ordering information

### Stainless steel enclosed switch-disconnectors

#### Enclosed switch-disconnectors, 4 pole, black handle, IP65

The delivery includes a black handle (I-O/ON-OFF), N- and PE-terminals. The handle has cover interlock and defeatable interlock function.



OTR16...63B4M

#### Cable entries from top and bottom

Rated current		Cable outlets/side	Dimensions			Type	Order number	Weight /unit kg
AC-22A 415V	AC-23A 415V		Height mm	Width mm	Depth mm			

#### Selector handle

Auxiliary contacts included: none • Auxiliary contacts max: 2NO+2NC

Rated current	Rated current	Cable outlets/side	Height mm	Width mm	Depth mm	Type	Order number	Weight /unit kg
16	16		200	150	100	OTR16B4M	1SCA022568R1080	1.7
25	20	2xø25.5+ø16.5 / 2xø25.5+ø16.5	200	150	100	OTR25B4M	1SCA022568R1240	1.7
40	23		200	150	100	OTR32B4M	1SCA022568R1410	1.7

Auxiliary contacts included: none • Auxiliary contacts max: 2NO+1NC

Rated current	Rated current	Cable outlets/side	Height mm	Width mm	Depth mm	Type	Order number	Weight /unit kg
63	45	2xø32.5+ø16.5 / 2xø32.5+ø16.5	200	150	100	OTR45B4M	1SCA022568R1670	1.9
80	75		200	150	100	OTR63B4M	1SCA022568R1830	1.9

#### Pistol handle

Auxiliary contacts included: none • Auxiliary contacts max: 2NO+2NC

Rated current	Rated current	Cable outlets/side	Height mm	Width mm	Depth mm	Type	Order number	Weight /unit kg
100	80	B-flange / B-flange	300	200	135	OTR100B4B	1SCA022568R2130	3.4
100	80	Blank / Blank	300	200	135	OTR100B4U	1SCA022568R2210	3.4
125	90	B-flange / B-flange	300	200	135	OTR125B4B	1SCA022568R2300	3.4
125	90	Blank / Blank	300	200	135	OTR125B4U	1SCA022568R2480	3.4



OTR100...125B4B



OTR100...125B4U

Cable knock-outs as standard, compression glands have to be ordered separately.

## Ordering information

### Stainless steel enclosed switch-disconnectors



OTR16...32B6M



OTR45...63B6B



OTR45...63B6U

#### Enclosed switch-disconnectors, 6 pole, black handle, IP65

The delivery includes a black handle (I-O/ON-OFF), N- and PE-terminals. The handle has cover interlock and defeatable interlock function.

##### Cable entries from top and bottom

Rated current		Cable outlets/side	Dimensions			Type	Order number	Weight /unit kg
AC-22A 415V	AC-23A 415V		Height mm	Width mm	Depth mm			

##### Selector handle

Auxiliary contacts included: none • Auxiliary contacts max: ONO+0NC

Rated current	Rated current	Cable outlets/side	Height mm	Width mm	Depth mm	Type	Order number	Weight /unit kg
16	16	2xø25.5+ø16.5 / 2xø25.5+ø16.5	200	150	100	OTR16B6M	1SCA022575R2440	1.8
25	20		200	150	100	OTR25B6M	1SCA022575R2870	1.8
40	23		200	150	100	OTR32B6M	1SCA022575R3250	1.8

##### Pistol handle

Auxiliary contacts included: none • Auxiliary contacts max: 1NO+1NC

Rated current	Rated current	Cable outlets/side	Height mm	Width mm	Depth mm	Type	Order number	Weight /unit kg
63	45	B-flange / B-flange	300	200	135	OTR45B6B	1SCA022611R6660	3.5
63	45	Blank / Blank	300	200	135	OTR45B6U	1SCA022611R6820	3.5
80	75	B-flange / B-flange	300	200	135	OTR63B6B	1SCA022611R7120	3.5
80	75	Blank / Blank	300	200	135	OTR63B6U	1SCA022611R7210	3.5

Cable knock-outs as standard, compression glands have to be ordered separately.

## Ordering information

### Stainless steel enclosed switch-disconnectors

#### Enclosed switch-disconnectors, 3 pole, red-yellow handle, IP65

The delivery includes a red-yellow handle (I-O/ON-OFF), N- and PE-terminals. The handle has cover interlock and defeatable interlock function.



OTR16...63B3M



OTR100...125BA3B



OTR100...125BA3U

#### Cable entries from top and bottom

Rated current		Cable outlets/side	Dimensions			Type	Order number	Weight /unit kg
AC-22A 415V	AC-23A 415V		Height mm	Width mm	Depth mm			

#### Selector handle

Auxiliary contacts included: none • Auxiliary contacts max: 2NC

Rated current	Rated current	Cable outlets/side	Height mm	Width mm	Depth mm	Type	Order number	Weight /unit kg
16	16	2xø25.5+ø16.5 / 2xø25.5+ø16.5	200	150	100	OTR16BA3M	1SCA022569R5110	1.7
25	20	2xø25.5+ø16.5 / 2xø25.5+ø16.5	200	150	100	OTR25BA3M	1SCA022569R5540	1.7
40	23	2xø25.5+ø16.5 / 2xø25.5+ø16.5	200	150	100	OTR32BA3M	1SCA022569R5970	1.7

#### Selector handle

Auxiliary contacts included: none • Auxiliary contacts max: 1NO+2NC

Rated current	Rated current	Cable outlets/side	Height mm	Width mm	Depth mm	Type	Order number	Weight /unit kg
63	45	2xø32.5+ø16.5 / 2xø32.5+ø16.5	200	150	100	OTR45BA3M	1SCA022569R6350	1.9
80	75	2xø32.5+ø16.5 / 2xø32.5+ø16.5	200	150	100	OTR63BA3M	1SCA022569R6780	1.9

#### Pistol handle

Auxiliary contacts included: none • Auxiliary contacts max: 1NO+2NC

Rated current	Rated current	Cable outlets/side	Height mm	Width mm	Depth mm	Type	Order number	Weight /unit kg
100	80	B-flange / B-flange	300	200	135	OTR100BA3B	1SCA022569R7320	3.4
100	80	Blank / Blank	300	200	135	OTR100BA3U	1SCA022569R7590	3.4
125	90	B-flange / B-flange	300	200	135	OTR125BA3B	1SCA022569R7750	3.4
125	90	Blank / Blank	300	200	135	OTR125BA3U	1SCA022569R7910	3.4

Cable knock-outs as standard, flanges have to be ordered separately.

## Ordering information

### Stainless steel enclosed switch-disconnectors

#### Enclosed switch-disconnectors, 4 pole, red-yellow handle, IP65

The delivery includes a red-yellow handle (I-O/ON-OFF), N- and PE-terminals. The handle has cover interlock and defeatable interlock function.



OTR16...63B4M



OTR100...125BA4B



OTR100...125BA4U

#### Cable entries from top and bottom

Rated current		Cable outlets/side	Dimensions			Type	Order number	Weight /unit kg
AC-22A 415V	AC-23A 415V		Height mm	Width mm	Depth mm			

#### Selector handle

Auxiliary contacts included: none • Auxiliary contacts max: 2NO+2NC

16	16		200	150	100	OTR16BA4M	1SCA022569R5200	1.7
25	20	2xø25.5+ø16.5 / 2xø25.5+ø16.5	200	150	100	OTR25BA4M	1SCA022569R5620	1.7
40	23		200	150	100	OTR32BA4M	1SCA022569R6010	1.7

Auxiliary contacts included: none • Auxiliary contacts max: 2NO+1NC

63	45	2xø32.5+ø16.5 / 2xø32.5+ø16.5	200	150	100	OTR45BA4M	1SCA022569R6430	1.9
80	75		200	150	100	OTR63BA4M	1SCA022569R6860	1.9

#### Pistol handle

Auxiliary contacts included: none • Auxiliary contacts max: 2NO+2NC

100	80	B-flange / B-flange	300	200	135	OTR100BA4B	1SCA022569R7410	3.4
100	80	Blank / Blank	300	200	135	OTR100BA4U	1SCA022569R7670	3.4
125	90	B-flange / B-flange	300	200	135	OTR125BA4B	1SCA022569R7830	3.4
125	90	Blank / Blank	300	200	135	OTR125BA4U	1SCA022569R8050	3.4

Cable knock-outs as standard, flanges have to be ordered separately.

## Ordering information

### Stainless steel enclosed switch-disconnectors

#### Enclosed switch-disconnectors, 6 pole, red-yellow handle, IP65

The delivery includes a red-yellow handle (I-O/ON-OFF), N- and PE-terminals. The handle has cover interlock and defeatable interlock function.



OTR16...32BA6M

#### Cable entries from top and bottom

Rated current		Cable outlets/side	Dimensions			Type	Order number	Weight /unit kg
AC-22A 415V	AC-23A 415V		Height mm	Width mm	Depth mm			

#### Selector handle

Auxiliary contacts included: none • Auxiliary contacts max: ONO+ONC

Rated current	Rated current	Cable outlets/side	Height mm	Width mm	Depth mm	Type	Order number	Weight /unit kg
16	16	2xø25.5+ø16.5 / 2xø25.5+ø16.5	200	150	100	OTR16BA6M	1SCA022575R2610	1.8
25	20		200	150	100	OTR25BA6M	1SCA022575R3090	1.8
40	23		200	150	100	OTR32BA6M	1SCA022575R3410	1.8

#### Pistol handle

Auxiliary contacts included: none • Auxiliary contacts max: 1NO+1NC

Rated current	Rated current	Cable outlets/side	Height mm	Width mm	Depth mm	Type	Order number	Weight /unit kg
63	45	B-flange / B-flange	300	200	135	OTR45BA6B	1SCA022611R6910	3.5
63	45	Blank / Blank	300	200	135	OTR45BA6U	1SCA022611R7040	3.5
80	75	B-flange / B-flange	300	200	135	OTR63BA6B	1SCA022611R7390	3.5
80	75	Blank / Blank	300	200	135	OTR63BA6U	1SCA022611R7470	3.5

Cable knock-outs as standard, compression glands and flanges have to be ordered separately.



OTR45...63BA6B



OTR45...63BA6U

## Ordering information

### Aluminum enclosed switch-disconnectors

#### Enclosed switch-disconnectors, 2 pole, grey, IP65

The delivery includes a Enclosure in aluminum alloy (Silumin) with metric threaded cable entries and handle in PBT plastic. The delivery includes PE terminal and membrane glands (IP65). The handle includes cover interlock and defeatable interlock function. Light grey box with dark grey cover and operating handle.

##### Cable entries from top and bottom



KSE225DP,  
KSE325TPN,  
KSE425TPSN

Rated current		Cable outlets/side	Dimensions			Type	Order number	Weight /unit kg
AC-22A 415V	AC-23A 415V		Height mm	Width mm	Depth mm			
Auxiliary contacts included: none • Auxiliary contacts max: 1N0								
25	16	2xM25 / 2xM25	130	111	60	KSE225DP	2CMA142411R1000	0.5
40	32	2xM32 / 2xM32+M16	168	138	68	KSE240DP	2CMA142414R1000	0.8
Auxiliary contacts included: none • Auxiliary contacts max: 0								
63	63	2xM40 / 2xM40+M16	230	160	145	KSE263DP	2CMA144587R1000	1.8

#### Enclosed switch-disconnectors, 3 pole, grey, IP65

The delivery includes a Enclosure in aluminum alloy (Silumin) with metric threaded cable entries and handle in PBT plastic. The delivery includes PE terminal and membrane glands (IP65). The handle includes cover interlock and defeatable interlock function. Light grey box with dark grey cover and operating handle.



KSE240DP,  
KSE340TPN,  
KSE440TPSN

##### Cable entries from top and bottom

Rated current		Cable outlets/side	Dimensions			Type	Order number	Weight /unit kg
AC-22A 415V	AC-23A 415V		Height mm	Width mm	Depth mm			
Auxiliary contacts included: none • Auxiliary contacts max: 0								
25	16	2xM25 / 2xM25	130	111	60	KSE325TPN	2CMA142412R1000	0.6
40	25	2xM25 / 2xM25+M16	168	138	68	KSE340TPN	2CMA142415R1000	0.8

#### Enclosed switch-disconnectors, 4 pole, grey, IP65

The delivery includes a Enclosure in aluminum alloy (Silumin) with metric threaded cable entries and handle in PBT plastic. The delivery includes PE terminal and membrane glands (IP65). The handle includes cover interlock and defeatable interlock function. Light grey box with dark grey cover and operating handle.

##### Cable entries from top and bottom

Rated current		Cable outlets/side	Dimensions			Type	Order number	Weight /unit kg
AC-22A 415V	AC-23A 415V		Height mm	Width mm	Depth mm			
Auxiliary contacts included: none • Auxiliary contacts max: 0								
25	16	2xM25 / 2xM25	130	111	60	KSE425TPSN	2CMA142413R1000	0.6
40	25	2xM32 / 2xM32+M16	168	138	68	KSE440TPSN	2CMA142416R1000	0.8

## Ordering information

### Aluminum enclosed switch-disconnectors

#### Enclosed switch-disconnectors, 3 pole, grey, IP65

The delivery includes a Enclosure in Aluminum alloy (Silumin) with metric threaded cable entries. Light grey box with dark grey cover. Delivery includes PE+neutral terminal and compression glands. Interlocked cover. Handle includes interlock function. OKA\_ types are EMC compatible when using EMC cable glands.



OKA16S3G



OKA25...63S3G



KSE363TPN,  
KSE380TPN,  
KSE3100TPN,  
KSE3125TPN



KSE363D/TPN

#### Cable entries from top and bottom

Rated current		Cable outlets/side	Dimensions			Type	Order number	Weight /unit kg
AC-22A 415V	AC-23A 415V		Height	Width	Depth			
Auxiliary contacts included: none • Auxiliary contacts max: 2NO+2NC								
16	16	2xM25+M20 / 2xM25+M20	165	130	131	OKA16S3G	1SCA142683R1001	1.3
25	20	2xM32+M20 / 2xM32+M20	165	130	131	OKA25S3G	1SCA142685R1001	1.3
40	23		165	130	131	OKA40S3G	1SCA142687R1001	1.3
63	63		165	130	131	OKA63S3G	1SCA142689R1001	1.5

#### Membrane type of glands includes

Auxiliary contacts included: none • Auxiliary contacts max: 1NO+1NC

63	45	2xM40 / 2xM40+M16	230	160	145	KSE363TPN	2CMA144580R1000	1.8
80	75		230	160	145	KSE380TPN	2CMA144583R1000	1.8

#### Membrane type of glands includes

Auxiliary contacts included: none • Auxiliary contacts max: none

63	45	Blank / 2xM40+M16	230	160	145	KSE363D/TPN	2CMA144581R1000	1.8
100	80	2xM40 / 2xM40+M16	230	160	145	KSE3100TPN	2CMA144585R1000	1.8
125	90		230	160	145	KSE3125TPN	2CMA144588R1000	1.8



## Ordering information

### Aluminum enclosed switch-disconnectors



OKA16S4G



OKA25...63S4G



KSE463TPN,  
KSE480TPN

#### 4-pole front operated switch-disconnectors, IP65

The delivery includes a Enclosure in Aluminum alloy (Silumin) with metric threaded cable entries. Light grey box with dark grey cover. Delivery includes PE+neutral terminal and compression glands. Interlocked cover. OKA\_ types are EMC compatible when using EMC cable glands.

##### Cable entries from top and bottom

Rated current		Cable outlets/side	Dimensions			Type	Order number	Weight /unit kg
AC-22A 415V	AC-23A 415V		Height	Width	Depth			
Auxiliary contacts included: none • Auxiliary contacts max: 2NO+2NC								
16	16	2xM25+M20 / 2xM25+M20	165	130	131	OKA16S4G	1SCA142684R1001	1.3
25	20	2xM32+M20 / 2xM32+M20	165	130	131	OKA25S4G	1SCA142686R1001	1.3
40	23		165	130	131	OKA40S4G	1SCA142688R1001	1.3
63	63		165	130	131	OKA63S4G	1SCA142690R1001	1.5

Includes membrane type of glands.

Auxiliary contacts included: none • Auxiliary contacts max: none

63	45	2xM40 / 2xM40+M16	230	160	145	KSE463TPSN	2CMA144582R1000	1.8
80	75		230	160	145	KSE480TPSN	2CMA144584R1000	1.8

## Ordering information

### Aluminium enclosed switch-disconnectors



OKA125...160P3B



OKA200...400P3B



OKA600P3B

### 3-pole front operated switch-disconnectors, IP65

The delivery includes a Enclosure in Aluminum alloy (Silumin) with metric threaded cable entries. Light grey box with dark grey cover. Delivery includes PE+neutral terminal and rubber type glands (IP65). Handle with cover interlock and defeatable interlock function. These products are EMC compatible with existing cable glands.

#### Cable entries from bottom

Rated current		Cable outlets/side	Dimensions			Type	Order number	Weight /unit kg
AC-22A 415V	AC-23A 415V		Height mm	Width mm	Depth mm			
Auxiliary contacts included: 1NO+1NC • Auxiliary contacts max: 2NO+2NC								
125	105	Blank / 2x24...48+2xM20	620	425	210	OKA125P3B	1SCA142607R1001	20.2
160	135		620	425	210	OKA160P3B	1SCA142608R1001	20.2
Auxiliary contacts included: 2NO+2NC • Auxiliary contacts max: 2NO+2NC								
200	200	Blank / 4x28...68+2xM20	730	485	215	OKA200P3B	1SCA142609R1001	29.3
250	250		730	485	215	OKA250P3B	1SCA142610R1001	29.3
315	315		730	485	215	OKA315P3B	1SCA142611R1001	29.3
400	400		730	485	215	OKA400P3B	1SCA142612R1001	29.3
600	552		975	585	270	OKA600P3B	1SCA144286R1001	36.3

## Ordering information

### Aluminium enclosed switch-disconnectors



KSF225DP,  
KSF325TPN,  
KSF325TPNNO,  
KSF425TPSN



KSF340TPN,  
KSF440TPSN

#### Fireman's switches, side operated, IP65

The delivery includes red painted switch-disconnectors for use by firemen to disconnect in case of fire. Aluminum alloy (Silumin) with metric threaded cable entries and special operating handle with loop and interlocking mechanism.

##### Cable entries from top and bottom, 2 pole

Rated current		Cable	Dimensions			Type	Order number	Weight /unit
AC-22A	AC-23A		Height	Width	Depth			
415V	415V	outlets/side	mm	mm	mm			kg

Delivery includes PE terminal and membrane glands (IP54) / sealing plugs.  
Auxiliary contacts included: none • Auxiliary contacts max: 1NO

25	16	2xM25 / 2xM25	130	111	60	KSF225DP	2CMA142435R1000	0.6
----	----	---------------	-----	-----	----	----------	-----------------	-----

##### Cable entries from top and bottom, 3 pole

Rated current		Cable	Dimensions			Type	Order number	Weight /unit
AC-22A	AC-23A		Height	Width	Depth			
415V	415V	outlets/side	mm	mm	mm			kg

Delivery includes PE terminal and membrane glands (IP54) / sealing plugs.  
Auxiliary contacts included: none • Auxiliary contacts max: 1NO

25	16	2xM25 / 2xM25	130	111	60	KSF325TPN	2CMA142436R1000	0.6
25	16		130	111	60	KSF325TPNNO <sup>1)</sup>	2CMA142442R1000	0.6
40	32	2xM32 / 2xM32+M16	168	136	168	KSF340TPN	2CMA142438R1000	0.8

<sup>1)</sup>The KSF325TPNNO includes a 1NO auxiliary contact.

##### Cable entries from top and bottom, 4 pole

Rated current		Cable	Dimensions			Type	Order number	Weight /unit
AC-22A	AC-23A		Height	Width	Depth			
415V	415V	outlets/side	mm	mm	mm			kg

Delivery includes PE terminal and membrane glands (IP54) / sealing plugs. For IP65 degree of protection compression glands must be used.

Auxiliary contacts included: none • Auxiliary contacts max: 1NO

25	16	2xM25 / 2xM25	130	111	60	KSF425TPSN	2CMA142437R1000	0.6
40	32	2xM32 / 2xM32+M16	168	136	168	KSF440TPSN	2CMA142439R1000	0.8

## Ordering information

### Steel sheet enclosed change-over switches



OTL16...40C3M



OTL63...80C3M



OT200...250KLAA3CZ

OT315KLAA3CZ,  
OT400DLAA3CZ

OT630...800KLAA3CZ

#### Enclosed change-over switches, 3 pole, black handle, IP65

The delivery includes a black handle (I-O-II), N- and PE-terminals. The handle has cover interlock and defeatable interlock function.

##### Cable entries from top and bottom

Rated current		Cable outlets/side	Dimensions			Type	Order number	Weight /unit kg
AC-22A 415V	AC-23A 415V		Height mm	Width mm	Depth mm			

##### Selector handle

Auxiliary contacts included: none • Auxiliary contacts max: 1NO+1NC

Rated current	Rated current	Cable outlets/side	Height mm	Width mm	Depth mm	Type	Order number	Weight /unit kg
16	16	2xø25.5+ø16.5 / 2xø25.5+ø16.5	200	150	100	OTL16C3M	1SCA022752R6000	1.8
25	20	2xø32.5+ø16.5 / 2xø32.5+ø16.5	200	150	100	OTL25C3M	1SCA149138R1001	1.6
40	23	2xø32.5+ø16.5	200	150	100	OTL40C3M	1SCA149139R1001	1.6

##### Pistol handle

Auxiliary contacts included: none • Auxiliary contacts max: 1NO+1NC

Rated current	Rated current	Cable outlets/side	Height mm	Width mm	Depth mm	Type	Order number	Weight /unit kg
63	63	2xø50.5+ø16.5 / 2xø50.5+ø16.5	300	200	135	OTL63C3M	1SCA149140R1001	4.3
80	80	2xø50.5+ø16.5	300	200	135	OTL80C3M	1SCA149141R1001	4.3

Cable knock-outs as standard, compression glands and connection bars for parallel connection have to be ordered separately.

##### Cable entries from top and bottom

Rated current		Cable outlets/side	Dimensions			Cover flanges included [pcs]	Type	Order number	Weight /unit kg
AC-22A 415V	AC-23A 415V		Height mm	Width mm	Depth mm				

##### Pistol handle

Auxiliary contacts included: none • Auxiliary contacts max: 4NO+4NC

Rated current	Rated current	Cable outlets/side	Height mm	Width mm	Depth mm	Cover flanges included [pcs]	Type	Order number	Weight /unit kg
160	160	Open / Open	600	400	230	-	OT160KLAA3CZ	1SCA120677R1001	31.0
200	200		600	400	230	-	OT200KLAA3CZ	1SCA022294R7680	20.0
250	250		600	400	230	-	OT250KLAA3CZ	1SCA022294R7840	20.0
315	315		800	400	330	-	OT315KLAA3CZ	1SCA022294R8060	31.0
400	400		800	400	330	-	OT400DLAA3CZ	1SCA022294R8220	31.0
570	570		1000	800	330	-	OT630KLAA3CZ	1SCA022294R8490	70.0
720	720		1000	800	330	-	OT800KLAA3CZ	1SCA022834R1510	70.0

Delivery without cable entries, top and bottom sides are open. Cable entries for C-flanges or for ring-flanges have to be ordered separately, see accessories. These entries are used also for fixing the enclosed switch. Flanges and connection bars for parallel connection have to be ordered separately too.

##### Pistol handle

Knock-outs: 10mm, 12.5mm, 20.5mm, 25.5mm, 32.5mm

Auxiliary contacts included: none • Auxiliary contacts max: 4NO+4NC

Rated current	Rated current	Cable outlets/side	Height mm	Width mm	Depth mm	Cover flanges included [pcs]	Type	Order number	Weight /unit kg
400	400	3xC-flange / 3xC-flange,	800	400	330	2	OT400DLCC3CZ	1SCA117797R1001	36.0

## Ordering information

### Steel sheet enclosed change-over switches



OT160...250KLAA4CZ

OT315KLAA4CZ,  
OT400DLAA4CZ

OT630...800KLAA4CZ



OT160KLUU4CZ



OT315KLUU4C



OT800KLUU4C



OT63EAU4CZ

#### Enclosed change-over switches, 4 pole, black handle, IP65

The delivery includes a black handle (I-O-II), N- and PE-terminals. The handle has cover interlock and defeatable interlock function.

##### Cable entries from top and bottom, IP65

Rated current		Cable outlets/side	Dimensions			Type	Order number	Weight /unit
AC-22A	AC-23A		Height	Width	Depth			
415V	415V		mm	mm	mm			kg

##### Delivery without cable entries, top and bottom sides are open.

Auxiliary contacts included: none • Auxiliary contacts max: 4NO+4NC

160	160	Open / Open	600	400	230	OT160KLAA4CZ	1SCA145966R1001	31.0
200	200		600	400	230	OT200KLAA4CZ	1SCA145968R1001	31.0
250	250		600	400	230	OT250KLAA4CZ	1SCA145970R1001	36.0
315	315		800	400	330	OT315KLAA4CZ	1SCA107160R1001	36.0
400	400		800	400	330	OT400DLAA4CZ	1SCA145972R1001	39.0
570	570		1000	800	330	OT630KLAA4CZ	1SCA145974R1001	48.0
720	720	1000	800	330	OT800KLAA4CZ	1SCA145976R1001	48.0	

Cable entries for C-flanges or for ring-flanges have to be ordered separately, see accessories. These entries are used also for fixing the enclosed switch-disconnectors. Flanges and connection bars for parallel connection have to be ordered separately too.

##### Blank cable entries

Auxiliary contacts included: none • Auxiliary contacts max: 4NO+2NC

160	160	Blank / Blank	600	400	230	OT160KLUU4CZ	1SCA147976R1001	32.3
-----	-----	---------------	-----	-----	-----	--------------	-----------------	------

##### Blank cable entries

Auxiliary contacts included: none • Auxiliary contacts max: 4NO+4NC

200	200	Blank / Blank	600	400	230	OT200KLUU4C	1SCA022474R7580	25.0
250	250		800	400	230	OT250KLUU4C	1SCA022474R7660	25.0
315	315		800	400	330	OT315KLUU4C <sup>1)</sup>	1SCA022474R7740	32.0
400	400		800	400	330	OT400DLUU4C	1SCA022474R8120	36.0
570	570		1000	800	330	OT630KLUU4C	1SCA022475R1340	81.0
720	720		1200	800	330	OT800KLUU4C <sup>1)</sup>	1SCA022872R6560	29.7

##### Cable entries bottom-bottom, IP65

Rated current		Cable outlets/side	Dimensions			Type	Order number	Weight /unit
AC-22A	AC-23A		Height	Width	Depth			
415V	415V		mm	mm	mm			kg

##### Blank cable entries includes

Auxiliary contacts included: none • Auxiliary contacts max: 2NO+2NC

63	63	Blank / Blank	400	250	180	OT63EAU4CZ	1SCA139889R1001	11.5
----	----	---------------	-----	-----	-----	------------	-----------------	------

<sup>1)</sup> \_C types have degree of protection IP54

## Ordering information

### Steel sheet enclosed change-over switches

#### Enclosed change-over switches, 4 pole, black handle, IP65

The delivery includes a black pistol handle and PE-terminal. Auxiliary contacts are wired to the terminal blocks in sizes 200A...720A.. Grey enclosure. Fixed cable entries with ring-flange entries. Entry plate fixing profiles are used also for mounting the safety switch. Cover interlock and defeatable interlock included.

#### Cable entries bottom-bottom, IP65



OT250K AUR4CZ



OT800K AUR4CZ

Rated current		Cable	Dimensions			Cover flanges included [pcs]	Type	Order number	Weight /unit kg
AC-22A	AC-23A		Height	Width	Depth				
415V	415V	outlets/side	mm	mm	mm				
Entry plates includes knock-outs: 3x10mm, 12.5mm, 20.5mm, 25.5mm, 32.5mm									
Auxiliary contacts included: none • Auxiliary contacts max: 4NO+4NC									
250	250	Blank / 4xring-flange	800	400	330	1	OT250K AUR4CZ	1SCA117797R1001	41
720	720	Blank / 8xring-flange	1200	800	330	5	OT800K AUR4CZ	1SCA139888R1001	90

## Ordering information

### Plastic enclosed switch fuses

#### Enclosed switch fuses, BS-type, 2 pole, IP65

The delivery includes a black pistol handle (I-O/ON-OFF), N- and PE-terminals. The handle includes cover interlock and defeatable interlock function. Suitable for BS fuses.

##### Cable entries from top and bottom, IP65

Rated current		Cable outlets/side	Dimensions			Type	Order number	Weight /unit kg
AC-22A 415V	AC-23A 415V		Height mm	Width mm	Depth mm			

##### Blank cable entries includes

Auxiliary contacts included: none • Auxiliary contacts max: 2NO+2NC

40	23	II-flange / II-flange	380	280	130	OS32GBA3FCC2B	1SCA134070R1001	4.5
63	63		380	280	130	OS63GBA3FCC2B	1SCA133822R1001	4.5



OS32...63GBA3FCC2B,  
OS32...63GBA3FCC3B

#### Enclosed switch fuses, BS-type, 3 pole, IP65

##### Cable entries from top and bottom, IP65

Rated current		Cable outlets/side	Dimensions			Type	Order number	Weight /unit kg
AC-22A 415V	AC-23A 415V		Height mm	Width mm	Depth mm			

##### Blank cable entries includes

Auxiliary contacts included: none • Auxiliary contacts max: 1NO+1NC

20	20	Blank / Blank	280	180	150	OS20PA1FUU3B	1SCA022280R9290	1.7
----	----	---------------	-----	-----	-----	--------------	-----------------	-----

##### Blank cable entries includes

Auxiliary contacts included: none • Auxiliary contacts max: 1NO+1NC

40	23	II-flange / II-flange	380	280	130	OS32GBA3FCC3B	1SCA134506R1001	5.0
----	----	-----------------------	-----	-----	-----	---------------	-----------------	-----



OS20PA1FUU3B

##### Blank cable entries includes

Auxiliary contacts included: none • Auxiliary contacts max: 2NO+1NC

63	63	II-flange / II-flange	380	280	130	OS63GBA3FCC3B	1SCA132754R1001	6.0
100	100		560	380	180	OS100GBA4FCC3B	1SCA132550R1001	9.5
125	125		560	380	180	OS125GBA4FCC3B	1SCA134503R1001	9.5
160	160		560	380	180	OS160GBA4FCC3B	1SCA134504R1001	9.5
200	200		560	380	180	OS200BB2FCC3B	1SCA022280R9110	13.6
315	315	2xII-flange / 2xII-flange	760	560	250	OS315BB3FCC3B	1SCA022281R0380	13.3
400	400		760	560	250	OS400BB4FCC3B	1SCA022302R6630	14.6



OS100...160GBA4FCC3B,  
OS200BB2FCC3B

Cable knock-outs as standard, flanges have to be ordered separately.



OS315BB3FCC3B,  
OS400BB4FCC3B

## Ordering information

### Plastic enclosed switch fuses

#### Enclosed switch fuses, BS-type, 4 pole, IP65

The delivery includes a black pistol handle (I-O/ON-OFF), N- and PE-terminals. The handle includes cover interlock and defeatable interlock function. Suitable for BS fuses.



OS20PA1FUU4B



OS32...63GBA3FCC4B



OS100...160GBA4FCC4B,  
OS200BB2FCC4B

#### Cable entries from top and bottom, IP65

Rated current		Cable outlets/side	Dimensions			Type	Order number	Weight /unit
AC-22A	AC-23A		Height	Width	Depth			
415V	415V		mm	mm	mm			kg

#### Blank cable entries includes

Auxiliary contacts included: none • Auxiliary contacts max: 1NO+1NC

20A	20	Blank / Blank	280	180	150	OS20PA1FUU4B	1SCA022280R9880	1.9
-----	----	---------------	-----	-----	-----	--------------	-----------------	-----

Auxiliary contacts included: none • Auxiliary contacts max: 1NO+1NC

40	23	II-flange / II-flange	380	280	130	OS32GBA3FCC4B	1SCA134506R1001	5.0
----	----	-----------------------	-----	-----	-----	---------------	-----------------	-----

Auxiliary contacts included: none • Auxiliary contacts max: 2NO+1NC

63	63	II-flange / II-flange	380	280	130	OS63GBA3FCC4B	1SCA132768R1001	5.0
100	100		560	380	180	OS100GBA4FCC4B	1SCA132551R1001	9.7
125	125		560	380	180	OS125GBA4FCC4B	1SCA134507R1001	9.7
160	160		560	380	180	OS160GBA4FCC4B	1SCA134509R1001	9.7
200	200		560	380	180	OS200BB2FCC4B	1SCA022280R9700	14.4

Cable knock-outs as standard, flanges have to be ordered separately.



## Ordering information

### Plastic enclosed switch fuses

#### Enclosed switch fuses, DIN-type, 3 pole, IP65

The delivery includes a black pistol handle (I-O/ON-OFF), N- and PE-terminals. The handle includes cover interlock and defeatable interlock function. Suitable for DIN fuses.

##### Cable entries from top and bottom, IP65

Rated current		Cable outlets/side	Dimensions			Type	Order number	Weight /unit
AC-22A 415V	AC-23A 415V		Height	Width	Depth			
Auxiliary contacts included: none • Auxiliary contacts max: 1NO+1NC								
40	23	II-flange / II-flange	380	280	130	OS32GD000FCC3B	1SCA132447R1001	4.8
Auxiliary contacts included: none • Auxiliary contacts max: 2NO+1NC								
63	63	II-flange / II-flange	380	280	130	OS63GD000FCC3B	1SCA134494R1001	6.0
125	125		560	380	180	OS125GD000FCC3B	1SCA134497R1001	9.5
160	160		560	380	180	OS160GD000FCC3B	1SCA134496R1001	9.5
250	250	2xII-flange / 2xII-flange	560	380	180	OS250D1FCC3B	1SCA022315R3070	13.8
400	400		760	560	250	OS400D2FCC3B	1SCA022315R3400	12.4



OS32...63GD000FCC3B



OS125...160GD000FCC3B,  
OS250D1FCC3B,  
OS125...160GD000FCC4B,



OS250D1FCC3B,  
OS250D1FCC4B



OS400D2FCC3B,  
OS400D2FCC4B

#### Enclosed switch fuses, DIN-type, 4 pole, IP65

##### Cable entries from top and bottom, IP65

Rated current		Cable outlets/side	Dimensions			Type	Order number	Weight /unit
AC-22A 415V	AC-23A 415V		Height	Width	Depth			
Auxiliary contacts included: none • Auxiliary contacts max: 1NO+1NC								
40	23	II-flange / II-flange	380	280	130	OS32GD000FCC4B	1SCA134498R1001	5.0
Auxiliary contacts included: none • Auxiliary contacts max: 1NO+1NC								
63	63	II-flange / II-flange	380	280	130	OS63GD000FCC4B	1SCA134499R1001	5.0
125	125		560	380	180	OS125GD000FCC4B	1SCA134500R1001	9.7
160	160		560	380	180	OS160GD000FCC4B	1SCA134501R1001	9.7
250	250	2xII-flange / 2xII-flange	560	380	180	OS250D1FCC4B	1SCA022315R3230	25.4
400	400		760	560	250	OS400D2FCC4B	1SCA022628R6070	12.6

Cable knock-outs as standard, flanges have to be ordered separately.

## Ordering information

### Steel sheet enclosed switch fuses



OS32...63GBA3LUU2FZ,  
OS20PA1LUU3FZ,  
OS32...63GBA3LUU3FZ



OS100...160GB4LUU2FZ,  
OS100...160GB4LUU3FZ



OS200BB2LUU2FZ,  
OS200BB2LUU3FZ



OS315BB3LUU2FZ,  
OS400BB4LUU2FZ,  
OS315BB3LUU3FZ,  
OS400BB4LUU3FZ



OS630BC2LUU2FZ,  
OS800BC3LUU2FZ



OS630BC2LUU3FZ,  
OS800BC3LUU3FZ

#### Enclosed switch fuses, BS-type, 2 pole, IP65

The delivery includes a black pistol handle (I-O/ON-OFF), N- and PE-terminals. The handle includes cover interlock and defeatable interlock function. Suitable for BS fuses.

##### Cable entries from top and bottom, IP65

Rated current		Cable outlets/side	Dimensions			Type	Order number	Weight /unit kg
AC-22A 415V	AC-23A 415V		Height mm	Width mm	Depth mm			
Auxiliary contacts included: none • Auxiliary contacts max: 2NO+2NC								
40	23	Blank / Blank	400	250	180	OS32GBA3LUU2FZ <sup>1)</sup>	1SCA133885R1001	8.8
63	63		400	250	180	OS63GBA3LUU2FZ <sup>1)</sup>	1SCA133884R1001	8.8
Auxiliary contacts included: none • Auxiliary contacts max: 2NO+1NC								
100	100	Blank / Blank	600	400	230	OS100GBA4LUU2FZ	1SCA136811R1001	17.7
Auxiliary contacts included: none • Auxiliary contacts max: 2NO+2NC								
125	125	Blank / Blank	600	400	230	OS125GBA4LUU2FZ	1SCA136812R1001	17.7
160	160		600	400	230	OS160GBA4LUU2FZ	1SCA136813R1001	17.7
Auxiliary contacts included: none • Auxiliary contacts max: 3NO+1NC								
200	200	Blank / Blank	600	400	330	OS200BB2LUU2FZ	1SCA022320R8310	27.1
315	315		800	400	330	OS315BB3LUU2FZ	1SCA022320R8580	26.0
400	400		800	400	330	OS400BB4LUU2FZ	1SCA022320R8740	26.5
600	600		1000	400	330	OS630BC2LUU2FZ	1SCA022320R8910	39.0
720	720		1000	400	330	OS800BC3LUU2FZ	1SCA022320R9120	59.3

<sup>1)</sup> Knock-outs 10, 12.5, 20.5, 25.5, 32.5, 40.5 mm

#### Enclosed switch fuses, BS-type, 3 pole, IP65

The delivery includes a black pistol handle (I-O/ON-OFF), N- and PE-terminals. The handle includes cover interlock and defeatable interlock function. Suitable for BS fuses.

##### Cable entries from top and bottom, IP65

Rated current		Cable outlets/side	Dimensions			Type	Order number	Weight /unit kg
AC-22A 415V	AC-23A 415V		Height mm	Width mm	Depth mm			
Auxiliary contacts included: none • Auxiliary contacts max: 1NO+1NC								
20	20	Blank / Blank	400	250	180	OS20PA1LUU3FZ	1SCA022320R8400	8.3
40	23		400	250	180	OS32GBA3LUU3FZ	1SCA136805R1001	9.4
Auxiliary contacts included: none • Auxiliary contacts max: 2NO+1NC								
63	63	Blank / Blank	400	250	180	OS63GBA3LUU3FZ	1SCA136809R1001	9.4
100	100		600	400	230	OS100GBA4LUU3FZ	1SCA132593R1001	20.0
125	125		600	400	230	OS125GBA4LUU3FZ	1SCA134526R1001	18.1
160	160		600	400	230	OS160GBA4LUU3FZ	1SCA134525R1001	18.1
200	200		600	400	330	OS200BB2LUU3FZ	1SCA022320R9630	28.3
315	315		800	400	330	OS315BB3LUU3FZ	1SCA022320R9800	27.5
400	400		800	400	330	OS400BB4LUU3FZ	1SCA022321R0050	29.5
600	600		1000	800	330	OS630BC2LUU3FZ	1SCA022321R0210	39.5
720	720	1000	800	330	OS800BC3LUU3FZ	1SCA022321R0480	60.5	

## Ordering information

### Steel sheet enclosed switch fuses



OS20PA1LUU4FZ,  
OS32...63GBALUU4FZ



OS100...160GBA4LUU4FZ



OS200BB2LUU4FZ,  
OS315BB3LUU4FZ,  
OS400BB4LUU4FZ



OS630BC2LUU4FZ,  
OS800BC3LUU4FZ

#### Enclosed switch fuses, BS-type, 4 pole, IP65

The delivery includes a black pistol handle (I-O/ON-OFF), N- and PE-terminals. Delivery with blank cable entries. The handle includes cover interlock and defeatable interlock function. Suitable for BS fuses.

#### Cable entries from top and bottom, IP65

Rated current		Cable outlets/side	Dimensions			Type	Order number	Weight /unit
AC-22A	AC-23A		Height	Width	Depth			
415V	415V		mm	mm	mm			kg
Auxiliary contacts included: none • Auxiliary contacts max: 1NO+1NC								
20	20	Blank / Blank	400	250	180	OS20PA1LUU4FZ	1SCA022321R0640	8.4
40	23		400	250	180	OS32GBA3LUU4FZ <sup>1)</sup>	1SCA136807R1001	9.4
Auxiliary contacts included: none • Auxiliary contacts max: 2NO+1NC								
63	63	Blank / Blank	400	250	180	OS63GBA3LUU4FZ <sup>1)</sup>	1SCA136810R1001	9.6
100	100		600	400	230	OS100GBA4LUU4FZ	1SCA134529R1001	18.3
125	125		600	400	230	OS125GBA4LUU4FZ	1SCA134528R1001	18.3
160	160		600	400	230	OS160GBA4LUU4FZ	1SCA134527R1001	18.3
200	200		800	400	330	OS200BB2LUU4FZ	1SCA022320R6530	29.2
315	315		800	400	330	OS315BB3LUU4FZ	1SCA022320R6700	28.5
400	400		800	400	330	OS400BB4LUU4FZ	1SCA022320R6960	29.0
600	600		1000	800	330	OS630BC2LUU4FZ	1SCA022320R7180	63.0
720	720	1000	800	330	OS800BC3LUU4FZ	1SCA022320R7340	66.5	

<sup>1)</sup>OS32\_ and OS63\_ have knock outs: 10mm, 12.5mm, 20.5mm, 25.5mm

## Ordering information

### Steel sheet enclosed switch fuses

#### Enclosed switch fuses, BS-type, 2 pole, IP65

The delivery includes a black pistol handle (I-O/ON-OFF), N- and PE-terminals. The handle includes cover interlock and defeatable interlock function. Suitable for DIN fuses. Openings for ring flanges, one incoming and one outgoing cable is considered. Cover plates included. Delivery with blank cable entries.



OS250D1AUR2SZ



OS400D2AUR2SZ



OS630D3AUR2SZ

OS250D1LRR2SZ,  
OS400D2LRR2SZ

#### Cable entries bottom-bottom, IP65

Rated current		Cable outlets/side	Dimensions			Cover flanges included [pcs]	Type	Order number	Weight /unit kg
AC-22A	AC-23A		Height	Width	Depth				
415V	415V		mm	mm	mm				
250	250	Blank / 4xring-flange	600	400	330	2	OS250D1AUR2SZ	1SCA127915R1001	28.6
400	400		800	400	330	2	OS400D2AUR2SZ	1SCA127918R1001	30.9
600	600		1000	400	330	2	OS630D3AUR2SZ	1SCA127934R1001	41.1

Entry plates includes knock-outs: 3x10mm, 12.5mm, 20.5mm, 25.5mm, 32.5mm  
Auxiliary contacts included: none • Auxiliary contacts max: 3NO+1NC

#### Cable entries top-bottom, IP65

Rated current		Cable outlets/side	Dimensions			Cover flanges included [pcs]	Type	Order number	Weight /unit kg
AC-22A	AC-23A		Height	Width	Depth				
415V	415V		mm	mm	mm				
250	250	4xring-flange / 4xring-flange	800	400	330	6	OS250D1LRR2SZ	1SCA127914R1001	32.1
400	400		800	400	330	6	OS400D2LRR2SZ	1SCA127917R1001	28.9
600	600		1000	400	330	6	OS630D3LRR2SZ	1SCA127933R1001	41.1

Entry plates includes knock-outs: 3x10mm, 12.5mm, 20.5mm, 25.5mm, 32.5mm  
Auxiliary contacts included: none • Auxiliary contacts max: 3NO+1NC

## Ordering information

### Steel sheet enclosed switch fuses



OS125GD00LAA3BZ,  
OS160GD00LAA3BZ



OS630...800D3LAA3BZ



OS160GD00LUU3BZ



OS630D3LUU3BZ



OS160GD00LCC3BZ



OS250D1LUR3BZ



OS250D1LAA3BZ,  
OS400D2LAA3BZ



OS250D1LUU3BZ,  
OS400D2LUU3BZ



OS250D1LCC3BZ,  
OS400D2LCC3BZ

### Enclosed switch fuses, DIN-type, 3 pole, IP65

The delivery includes a black pistol handle (I-O/ON-OFF), N- and PE-terminals. The handle includes cover interlock and defeatable interlock function. Suitable for DIN fuses.

#### Cable entries from top and bottom

Rated current	AC-22A	AC-23A	Cable	Dimensions			Cover flanges included [pcs]	Type	Order number	Weight /unit
				Height	Width	Depth				
415V	415V		outlets/side	mm	mm	mm				kg

#### Delivery without cable entries, top and bottom sides are open

Auxiliary contacts included: none • Auxiliary contacts max: 1NO+1NC

40	23	Open / Open	400	250	180	-	OS32GD000LAA3BZ	1SCA136800R1001	8.8
----	----	-------------	-----	-----	-----	---	-----------------	-----------------	-----

#### Delivery without cable entries, top and bottom sides are open

Auxiliary contacts included: none • Auxiliary contacts max: 2NO+1NC

63	63	Open / Open	400	250	180	-	OS63GD000LAA3BZ	1SCA136801R1001	7.8
125	125		600	400	230	-	OS125GD00LAA3BZ	1SCA134522R1001	18.0
160	160		600	400	230	-	OS160GD00LAA3BZ	1SCA134061R1001	18.0
250	250		800	400	330	-	OS250D1LAA3BZ	1SCA022325R4180	28.6
400	400		800	400	330	-	OS400D2LAA3BZ	1SCA022325R4340	29.6
600	600		1000	800	330	-	OS630D3LAA3BZ	1SCA022325R4770	59.5
720	720		1000	800	330	-	OS800D3LAA3BZ	1SCA104509R1001	59.5

Cable entries for C-flanges or for ring-flanges have to be ordered separately, see accessories. These entries are used also for fixing the enclosed switch-disconnectors. Cover flanges have to be ordered separately too.

Auxiliary contacts included: none • Auxiliary contacts max: 2NO+1NC

160	160	Blank / Blank	600	400	230	-	OS160GD00LUU3BZ	1SCA141673R1001	22.0
250	250		800	400	330	-	OS250D1LUU3BZ	1SCA141674R1001	34.2
400	400		800	400	330	-	OS400D2LUU3BZ	1SCA141675R1001	35.2
600	600		1000	800	330	-	OS630D3LUU3BZ	1SCA141676R1001	54.5

The end plates contain knock outs: 10mm, 12.5mm, 20.5mm, 25.5mm, 32.5mm

Auxiliary contacts included: none • Auxiliary contacts max: 2NO+1NC

160	160	2xC-flange / 2xC-flange	600	400	230	2	OS160GD00LCC3BZ	1SCA134060R1001	22.0
250	250	3xC-flange / 3xC-flange	1000	400	330	4	OS250D1LCC3BZ	1SCA110108R1001	34.2
400	400	3xC-flange / 3xC-flange	1000	400	330	4	OS400D2LCC3BZ	1SCA110109R1001	35.2

Cable entry plate for ring flange type includes.

One incoming and one outgoing cable is considered. Ring flange covers included.

End plates contain knock outs: 10mm, 12.5mm, 20.5mm, 25.5mm, 32.5mm to cover the rest of the holes.

Auxiliary contacts included: none • Auxiliary contacts max: 2NO+1NC

250	250	Blank / 4xring-flange	1000	400	330	0	OS250D1LUR3BZ	1SCA022611R2080	29.0
720	720	Blank / 8xring-flange	1000	800	330	0	OS800D3AUR3BTZ	1SCA128367R1001	79.5

## Ordering information

### Steel sheet enclosed switch fuses



OS125...160GD00LAA4BZ



OS400D2LAA4BZ



OS630D3LAA4BZ



OS125GD00LCC4BZ

#### Enclosed switch fuses, DIN-type, 4 pole, IP65

The delivery includes a black pistol handle (I-O/ON-OFF), PE-terminals. Delivery without cable entries, top and bottom sides are open. The handle includes cover interlock and defeatable interlock function. Suitable for DIN fuses.

##### Cable entries from top and bottom

Rated current		Cable outlets/side	Dimensions			Cover flanges included [pcs]	Type	Order number	Weight /unit kg
AC-22A	AC-23A		Height mm	Width mm	Depth mm				
415V kW/A	415V kW/A								
Auxiliary contacts included: none • Auxiliary contacts max: 1NO+1NC									
40	23	Open / Open	400	250	180	-	OS32GD000LAA4BZ	1SCA136803R1001	8.0
Auxiliary contacts included: none • Auxiliary contacts max: 2NO+1NC									
63	63	Open / Open	400	250	180	-	OS63GD000LAA4BZ	1SCA136802R1001	8.0
125	125		600	400	230	-	OS125GD00LAA4BZ	1SCA134523R1001	18.2
160	160		600	400	230	-	OS160GD00LAA4BZ	1SCA134524R1001	18.2
250	250		800	400	230	-	OS250D1LAA4BZ	1SCA022320R7000	28.3
400	400		800	400	330	-	OS400D2LAA4BZ	1SCA022320R7420	30.5
600	600		1000	800	330	-	OS630D3LAA4BZ	1SCA022320R7850	63.0
720	720		1200	800	330	-	OS800D3LAA4BZ	1SCA022320R8230	63.0

##### Cable entries from top and bottom

Rated current		Cable outlets/side	Dimensions			Cover flanges included [pcs]	Type	Order number	Weight /unit kg
AC-22A	AC-23A		Height mm	Width mm	Depth mm				
415V kW/A	415V kW/A								
One incoming and one outgoing cable are considered. Delivery includes C-flange cover plates when more than one cable entry is available. The end plates contain knock outs: 10mm, 12.5mm, 20.5mm, 25.5mm, 32.5mm. Auxiliary contacts included: none • Auxiliary contacts max: 1NO+1NC									
63	63	C-flange / C-flange	400	250	180	0	OS63GD000LCC4BZ	1SCA137594R1001	9.6
125	125	2xC-flange / 2xC-flange	600	400	230	2	OS125GD00LCC4BZ	1SCA134974R1001	23.0







---

# Accessories

## Table of contents

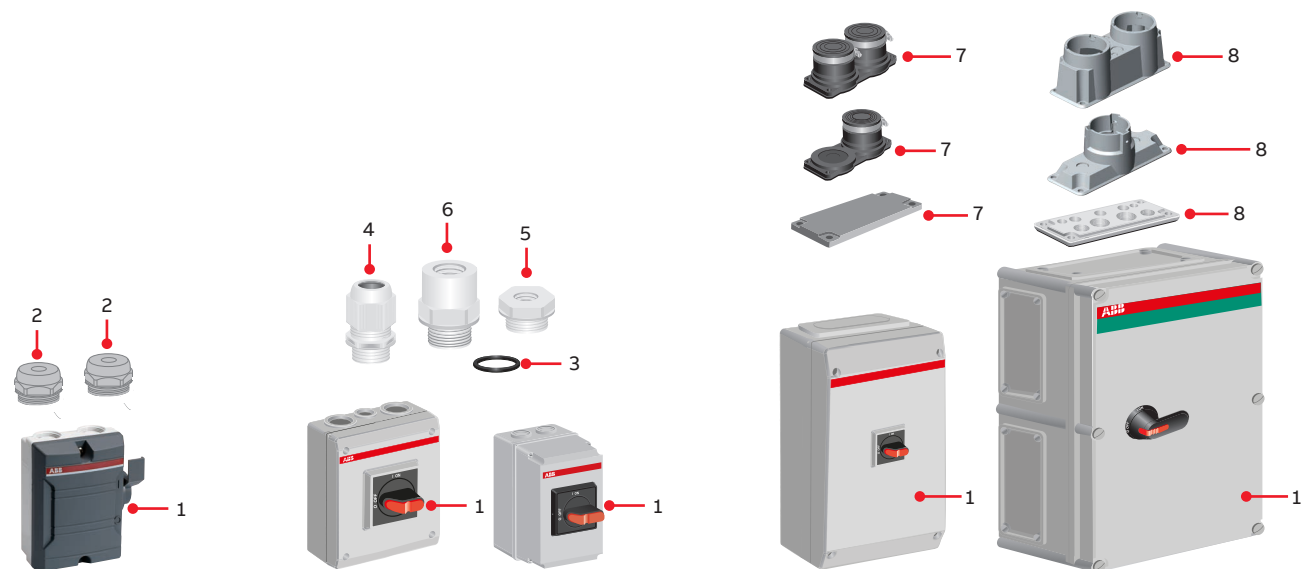
<b>138</b>	Overview
<b>140</b>	Handles
<b>143</b>	Neutral Links
<b>143</b>	Auxiliary contacts
<b>148</b>	Parallel connection kits for change-over switches
<b>149</b>	Cable entry plates for steel sheet enclosures
<b>150</b>	Cable flanges for steel sheet enclosures
<b>150</b>	Plate extension for ring-flanges
<b>151</b>	Terminal clamps for Al and Cu cables
<b>152</b>	Busbar connections
<b>152</b>	Neutral links for 5-wire systems
<b>153</b>	Cable flanges for steel sheet enclosures
<b>156</b>	Cable flanges for plastic or steel sheet enclosures
<b>156</b>	Other accessories for plastic enclosures
<b>156</b>	Padlock unit suitable for all side operated switches
<b>157</b>	Compression glands, IP65
<b>158</b>	Compression glands, IP68
<b>159</b>	Compression glands for ATEX enclosed safety switch
<b>160</b>	Adapters for M-threads
<b>160</b>	Condensation water outlet IP44
<b>160</b>	Expander tube
<b>161</b>	Ring-flange covers with knock-out openings
<b>161</b>	Plate extension for ring-flanges
<b>161</b>	Shields
<b>162</b>	Compression glands, EMC, metallic
<b>162</b>	Enlargement adapter for EMC cable glands. IP67
<b>162</b>	Compression glands, ATEX, EMC, metallic

## Accessories

### Selection overview

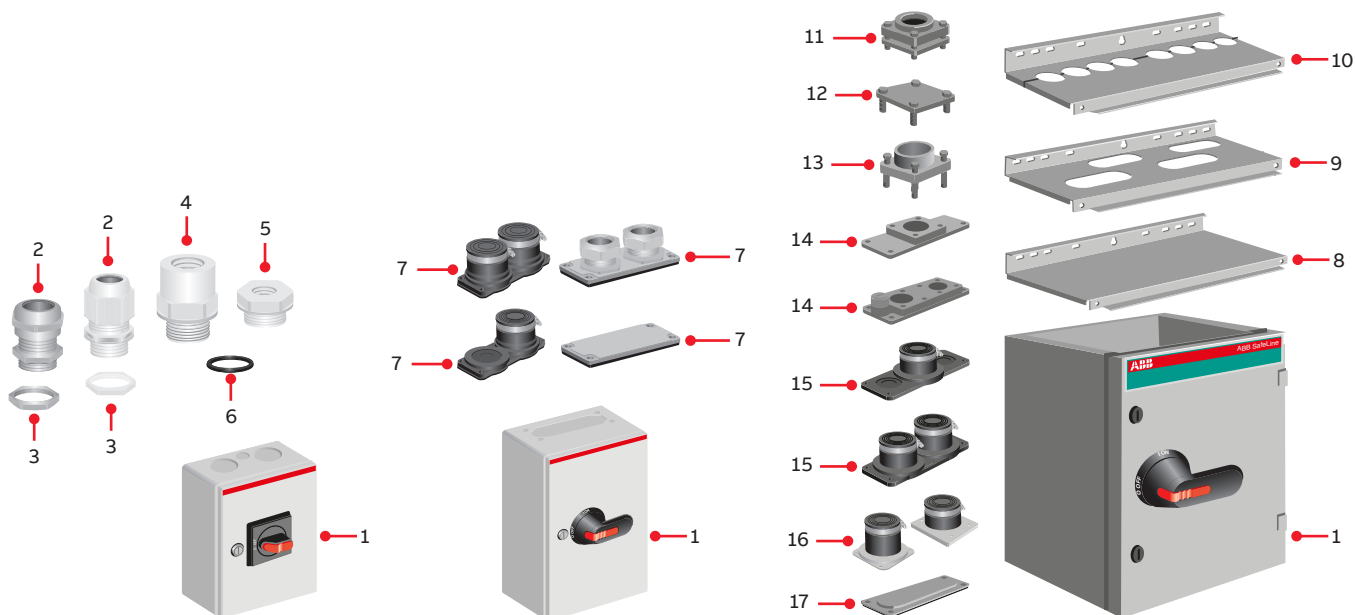
#### Plastic enclosures

Side and front operated



1 Enclosure | 2 Membrane gland/sealing plug (included) | 3 Gasket | 4 Compression gland | 5 Adapter (reducer) | 6 Adapter (expander) | 7 I-Flange | 8 II-Flange

#### Steel sheet enclosures

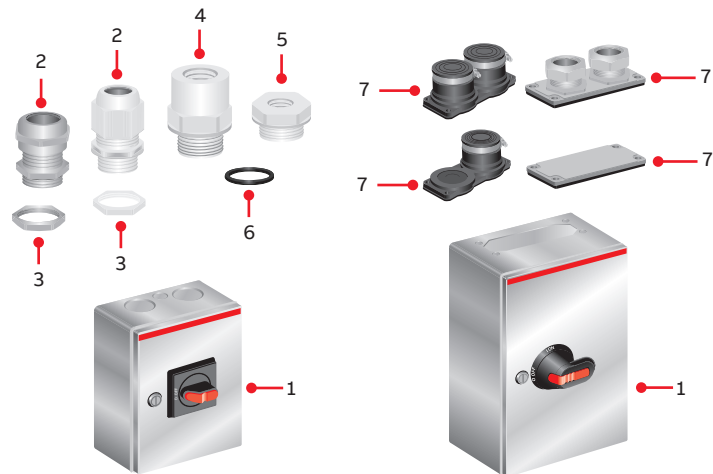


1 Enclosure | 2 Compression gland | 3 Locking nut | 4 Adapter (expander) | 5 Adapter (reducer) | 6 Gasket | 7 B-flange | 8 Blank cable entry | 9 Cable entry with C-flange entries | 10 Cable entry with ring-flange entries | 11 Ring-flange | 12 Ring-flange cover | 13 Plate extension for ring-flanges | 14 Ring-flange adapters for C-flange covers | 15 C-flange | 16 Cable inlets | 17 C-flange cover

## Accessories

### Selection overview

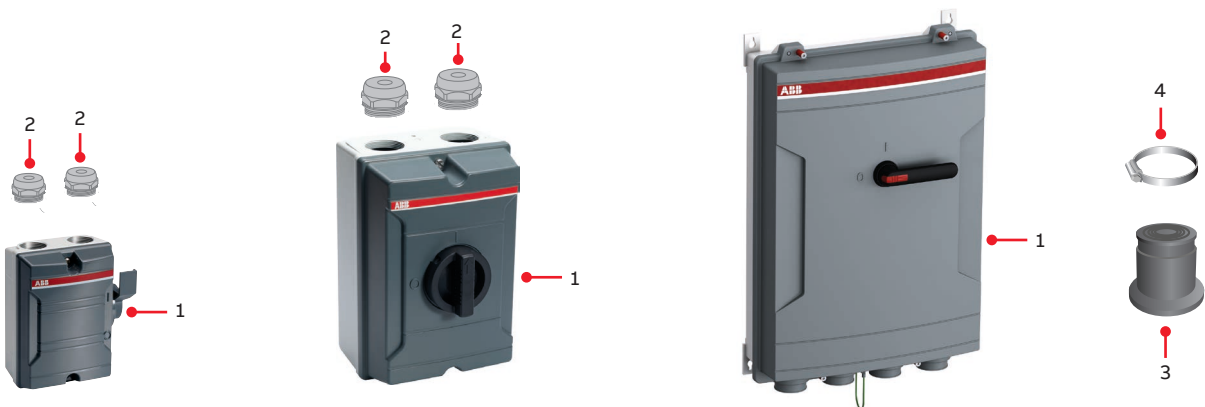
#### Stainless steel sheet enclosures



1 Enclosure | 2 Compression gland | 3 Locking nut | 4 Adapter (expander) | 5 Adapter (reducer) | 6 Gasket | 7 B-flange

#### Aluminum enclosures

##### Side and front operated



1 Enclosure | 2 Membrane gland/sealing plug (included) | 3 Cable tightening / gland (included) | 4 Hose clamp (included)

## Ordering information

### Accessories



OHBS2AJ



OHB65J6



OHB95J12



OHB125J12



OHB274J12



OHB45J6



OHB145J12



OHB175J12

#### Black handles for safety switches, plastic

Indication I-O and ON-OFF, IP65. The handles are padlockable with 3 padlocks in O-position, door interlock in I-position, defeatable.

For safety switches	Handle length	Shaft diameter	Type	Order number	Units/ type	Weight/ unit
	mm	mm			pcs	kg

#### Selector handle for 3- and 4-pole safety switches, IP65

OT16...90E			OHB52AJ	1SCA022347R4030	1	
------------	--	--	---------	-----------------	---	--

#### Pistol handle for 3- and 4-pole safety switches, IP65

OT90...250_	65	6	OHB65J6	1SCA022380R9660	1	0.12
OT315...400_	95	12	OHB95J12	1SCA022381R0830	1	0.16
OT630...800_	125	12	OHB125J12	1SCA022381R1560	1	0.17
OT1000...1250_	274	12	OHB274J12	1SCA115920R1001	1	0.54

#### Pistol handle for 6-pole safety switches, IP65

OT25...75_	45	6	OHB45J6	1SCA022380R8770	1	0.10
OTP75...90_	45	6	OHB45J6	1SCA022380R8770	1	0.10
OT90...800_	145	12	OHB145J12	1SCA022381R2110	1	0.17
OT1000_	175	12	OHB175J12	1SCA022381R2450	1	0.18

#### Pistol handle for 2-, 3- and 4-pole enclosed switch fuses, indication I-O and ON-OFF

OS20...250	65	6	OHB65J6	1SCA022380R9660	1	0.12
OS315...400	95	12	OHB95J12	1SCA022381R0830	1	0.16
OS630...800	145	12	OHB145J12	1SCA022381R2110	1	0.17

#### Red-yellow handles for safety switches, plastic

Indication I-O and ON-OFF, IP65. The handles are padlockable with 3 padlocks in O-position, door interlock in I-position, defeatable.



OHYS2AJ



OHY65J6



OHY95J12



OHY125J12



OHY274J12



OHY45J6



OHY145J12



OHY175J12

For safety switches	Handle length	Shaft diameter	Type	Order number	Units/ type	Weight/ unit
	mm	mm			pcs	kg

#### Selector handle for 3- and 4-pole safety switches, IP65

OT16...90E_			OHYS2AJ	1SCA022353R2840	1	
-------------	--	--	---------	-----------------	---	--

#### Pistol handle for 3- and 4-pole safety switches, IP65

OT90...250_	65	6	OHY65J6	1SCA022380R9820	1	0.12
OT315...400_	95	12	OHY95J12	1SCA022381R1050	1	0.16
OT630...800_	125	12	OHY125J12	1SCA022381R1720		0.17
OT1000...OT1250	274	12	OHY274J12	1SCA115919R1001	1	0.54

#### Pistol handle for 6-pole safety switches, IP65

OT25...75_	45	6	OHY45J6	1SCA022380R8930	1	0.10
OTP75...90_	45	6	OHY45J6	1SCA022380R8930	1	0.10
OT90...800_	145	12	OHY145J12	1SCA022381R2370	1	0.17
OT1000_	175	12	OHY175J12	1SCA022381R2700	1	0.18

Door interlocking in I-position means prevents door from being opened when the handle is in ON-position. It can be defeated in IP65 types to allow authorized personnel access for inspection.

## Ordering information

### Accessories



OHB45J6



OHB65J6



OHB95J12



OHB45J6E011



OHB65J6E011



OHB145J12



OHB125J12E011

#### Black handles for enclosed switch-disconnectors, plastic

Indication I-O and ON-OFF, IP65. The handles are padlockable with 3 padlocks in O-position, door interlock in I-position, defeatable.

Suitable for switches	Handle length	Shaft diameter	Type	Order number	Units/type	Weight/unit
	mm	mm			pcs	kg

#### Pistol handle for 3- and 4-pole enclosed switch-disconnectors, indication I-O and ON-OFF

OTL/OTR100...125, OT125	45	6	OHB45J6	1SCA022380R8770	1	0.10
OT160...250	65	6	OHB65J6	1SCA022380R9660	1	0.12
OT315...400	95	12	OHB95J12	1SCA022381R0830	1	0.16
OT630...800	125	12	OHB125J12	1SCA022381R1560	1	0.17
OT1000...1600	274	12	OHB274J12	1SCA115920R1001	1	0.54

#### Pistol handle for 6-pole enclosed switch-disconnectors, indication I-O and ON-OFF

OTP/OTL/OTR45...63, OTP125, OT125	45	6	OHB45J6	1SCA022380R8770	1	0.10
OT160...250	65	6	OHB65J6	1SCA022380R9660	1	0.12
OT315...800	145	12	OHB145J12	1SCA022381R2110	1	0.17

#### Pistol handle for 3- and 4-pole enclosed change-over switches, indication I-O-II, padlockable in O-position

OT16...125_C	45	6	OHB45J6E011	1SCA022594R7110	1	0.10
OT160...250_C	65	6	OHB65J6E011	1SCA022383R2480	1	0.12
OT315...400_C	95	12	OHB95J12E011	1SCA022621R0760	1	0.16
OT630...800_C	125	12	OHB125J12E011	1SCA022589R3340	1	0.17

#### Pistol handle for 2-, 3- and 4-pole enclosed switch fuses, indication I-O and ON-OFF

OS20...250	65	6	OHB65J6	1SCA022380R9660	1	0.12
OS315...400	95	12	OHB95J12	1SCA022381R0830	1	0.16
OS630...800	145	12	OHB145J12	1SCA022381R2110	1	0.17

#### Red-yellow handles for enclosed switch-disconnectors, plastic

Indication I-O and ON-OFF, IP65. The handles are padlockable with 3 padlocks in O-position, door interlock in I-position, defeatable.



OHY95J12



OHY45J6



OHY65J6



OHY125J12

Suitable for switches	Handle length	Shaft diameter	Type	Order number	Units/type	Weight/unit
	mm	mm			pcs	kg

#### Pistol type for 3- and 4-pole enclosed switch-disconnectors

OTL/OTR100...125, OT125	45	6	OHY45J6	1SCA022380R8930	1	0.10
OT160...250	65	6	OHY65J6	1SCA022380R9820	1	0.12
OT315...400	95	12	OHY95J12	1SCA022381R1050	1	0.16
OT630...800	125	12	OHB125J12	1SCA022381R1560	1	0.17

#### Pistol type for 6-pole enclosed switch-disconnectors

OTP/OTL/OTR45...63, OTP125	45	6	OHY45J6	1SCA022380R8930	1	0.10
----------------------------	----	---	---------	-----------------	---	------

Door interlocking in I-position means prevents door from being opened when the handle is in ON-position. It can be defeated in IP65 types to allow authorized personnel access for inspection. The door is interlocked when the handle is padlocked. Handles padlockable also in ON-position are available on request.

## Ordering information

### Accessories



OHBS2AJEH



OHM65L6



OHM125L12



OHM175L12

#### Metallic handles for safety switches, stainless steel

Suitable for switches	Handle length	Shaft diameter	Type	Order number	Units/type	Weight/unit
	mm	mm			pcs	kg

#### Selector handle with metal hasp, IP65 - Indication I-O and ON-OFF

OT16...90E_			OHBS2AJEH	1SCA108230R1001	1	0.54
-------------	--	--	-----------	-----------------	---	------

#### Stainless steel pistol type handles, for 3-pole safety switches, IP65

The handles are padlockable with 3 padlocks in O-position, door interlock in I-position, defeatable

OT25...75_	65	6	OHM65L6	1SCA022739R1070	1	0.73
OT90...800_	125	12	OHM125L12	1SCA022739R1150	1	0.76
OT1000_	175	12	OHM175L12	1SCA022739R1230	1	0.83

#### Stainless steel pistol type handles, for 6-pole safety switches, IP65

The handles are padlockable with 3 padlocks in O-position, door interlock in I-position, defeatable

OT25...75_	65	6	OHM65L6	1SCA022739R1070	1	0.73
OT90...800_	175	12	OHM175L12	1SCA022739R1230	1	0.83

#### Metallic hasp for pistol handle



OHZX12



OHZX13

Suitable for switches	Handle length	Shaft diameter	Type	Order number	Units/type	Weight/unit
	mm	mm			pcs	kg
For selector handles			OHZX12	1SCA022836R7650	1	0.10
For pistol handles OHB45_ to OHB175_			OHZX13	1SCA022841R5480	1	0.16

Door interlocking in I-position means prevents door from being opened when the handle is in ON-position. It can be defeated in IP65 types to allow authorized personnel access for inspection

## Ordering information

### Accessories



OXN250



OXN400



OXN800T



OXN1250T

#### Neutral Links

For switches	Ith [A]	Type	Order number	Units/ type	Weight
				pcs	kg
<b>Detachable, mountable separately to the base plate</b>					
OS200_, OS250_, OT160...250	250	OXN250	1SCA022752R9950	1	0.26
OS315_, OS400_, OT315_, OT400_	400	OXN400	1SCA022770R3060	1	0.70
OT630_, OT800_	800	OXN800T	1SCA022829R0840	1	0.96
OT1000_...OT1600_	1250	OXN1250T	1SCA104162R1001	1	2.20

#### Auxiliary contacts

##### Auxiliary contacts for enclosed switch-disconnectors OT\_16...125F, KSF\_25...40, KSE\_25...125 and BW\_16...40

The auxiliary contacts n.o. open before the main contacts. For the max. number of auxiliary contacts, see the ordering information tables.

For switches	Auxiliary contact	Mounting	Type	Order number	Delivery batch	Weight
					pcs	kg
OK_, OT_16...125, KSE 63...125	1no	right side	OA1G10	1SCA022353R4970	10	0.03
OK_, OT_16...125, KSE 63...125	1no	left side	OA7G10	1SCA022673R1140	10	0.03
OK_, OT_16...125, KSE 63...125	1nc	left side	OA1G01	1SCA022353R4890	10	0.03
BW_/KSE_16...40, KSF_25...40	1no	left side	OBEA10	1SCA022190R3000	10	0.01
BW_/KSE_16...40, KSF_25...40	1nc	left side	OBEA01	1SCA022190R3260	10	0.01
OK_, OT_16...125F	1no+1nc	both sides	OA2G11	1SCA022379R8100	10	0.03

##### Auxiliary contacts for switch-disconnectors OT160EV...1600, OS\_<sup>1)</sup>

For the max. number of auxiliary contacts, see the ordering information tables.

For switches	Auxiliary contact	Type	Order number	Delivery batch	Weight
				pcs	kg
OT160EV...1600, OS_	1no	OA1G10	1SCA022353R4970	10	0.03
OT160EV...1600, OS_	1nc	OA3G01	1SCA022456R7410	10	0.03

<sup>1)</sup> Types \_AU for extremely difficult circumstances, even at low voltages. The contacts are gold plated.

<sup>2)</sup> Not mountable on the side as the fourth pole.



OA1G10



OA2G11



OA3G01



OBEA01

## Ordering information

### Accessories



OA1G10



OA2G11



OA3G01



OBEA01



OBEA10



OA3G01

#### Auxiliary contacts for safety switches OTP\_, OTE\_, OT16...90E, OTR\_, OTL\_, BWS\_ and LBAS\_

Snap-on mounting to the switch, the auxiliary contacts (no) open before the main contacts. The type and order number are for one piece.

For safety switch	Auxiliary contact	Mounting to the side of the switch	Type	Order number	Delivery batch	Weight/unit
					pcs	kg
OTP_, OTE_, OT16...90E_, OTR_, OTL_	1no	right	OA1G10	1SCA022353R4970	10	0.03
OTP_, OTE_, OT16...90E_, OTR_, OTL_	1nc	left	OA1G01	1SCA022353R4890	10	0.03
LBAS345...390, 475...490, 675_	1no	right	OA1G10	1SCA022353R4970	10	0.03
LBAS345...390, 475...490, 675_	1nc	left	OA1G01	1SCA022353R4890	10	0.03
OTR_, OTL_, 3- and 4-pole, OTP_6-pole	1no+1nc	left	OA2G11	1SCA022379R8100	10	0.06
BWS316...625, LBAS316...425	1no		OBEA10	2CMA144519R1000	10	0.01
BWS316...625, LBAS316...425	1nc		OBEA01	2CMA144520R1000	10	0.01

#### Auxiliary contacts for safety switches OT90\_...1250\_

Early break-type contacts (I-0). Additional auxiliary contacts can be mounted to the safety switches, or they can be changed to another contact function. For the max. number of auxiliary contacts, see the ordering information tables. The type and order number are for one piece.

For safety switches	Auxiliary contact	Type <sup>1)</sup>	Order number	Delivery batch	Weight/unit
				pcs	kg
OT90G_...1250_	1no	OA1G10	1SCA022353R4970	10	0.03
OT90G_...1250_	1nc	OA3G01	1SCA022456R7410	10	0.03
OT90G_...1250_	1no	OA1G10AU	1SCA022436R7910	10	0.03
OT90G_...1250_	1nc	OA3G01AU	1SCA022819R5260	10	0.03

<sup>1)</sup>Types \_AU for extremely difficult circumstances, even at low voltages. The contacts are gold plated.



## Ordering information

### Accessories



OA1G01



OA2G11



OBEO01

#### Technical data of auxiliary contacts:

		OA_	OBEO_ and OZK_
Protection class		IP20	IP20
Rated thermal current I <sub>th</sub> / Insulation voltage		16 A / 690 V	10 A / 690 V
Cable cross section, max. / min.		2 x 2.5 / 0.75 mm <sup>2</sup>	2 x 2.5 / 0.5 mm <sup>2</sup>
Operational current in different voltages, (IEC 60947-5-1)			
AC-15	230 V	6 A	-
	400 V / 415 V	4 A	-
	690 V	2 A	-
AC-12	120 V / 240 V	-	8 A / 6 A
	400 / 415 V	-	4 A
	480 / 500 V	-	3 A
	690 V	-	2 A
DC-12	24 V / 72 V	10 A / 4 A	5 A / 1.9 A
	125 V / 250 V	2 A / 0.55 A	1.1 A / 0.55 A
	440 V / 500 V	0.1 A / -	0.31 A / 0.27 A
	600 V	-	0.2 A

## Ordering information

Technical data for auxiliary contacts

Performance data of auxiliary contacts according to IEC 60947-5-1

For OA1G_, OA3G_						
AC15		DC12			DC13	
U <sub>e</sub> /[VAC]	I <sub>e</sub> /[A]	U <sub>e</sub> /[VDC]	I <sub>e</sub> /[A]	P/[W]	I <sub>e</sub> /[A]	P/[W]
230	6	24	10	240	2	50
400	4	72	4	290	0.8	60
415	4	125	2	250	0.55	70
690	2	250	0.55	140	0.27	70
		440	0.1	44		

For OA1G_, OA3G_	
U <sub>i</sub> /[V]	690
U <sub>imp</sub> /[kV]	4
Pollution degree	3
I <sub>th</sub> /[A]	16
Cable size	1...2 x 0.75...2.5 mm <sup>2</sup>
Maximum fuse	16A / gG
NEMA	A600, R300, wire size: 18 - 14 AWG, 1(2)

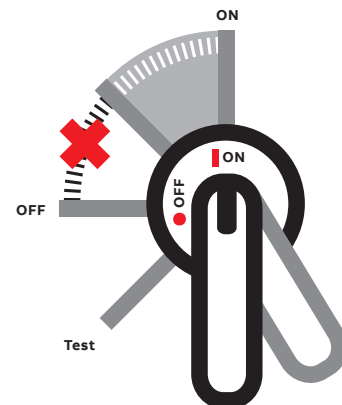
Function table of auxiliary contacts

Handle position	Main contacts	Aux./Test contacts N.O.	Test indication contact N.O.
Test	open	closed	closed
0	open	open	open
I	closed	closed	open

### Handle indications and functions

The handle indicates the position of the main contacts of the switch with complete reliability in all situations. If the contacts are welded together, the handle does not reach the OFF-position but remains between ON and OFF, maintaining the door interlock and preventing padlocking.

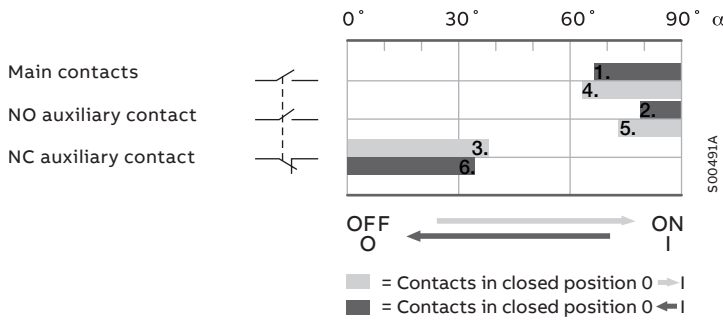
When operating the switch to the Test-position with a test handle, the test auxiliary contacts change position. The main contacts remain open.



## Ordering information

Technical data for auxiliary contacts

### ON and OFF-functions of main and auxiliary contacts



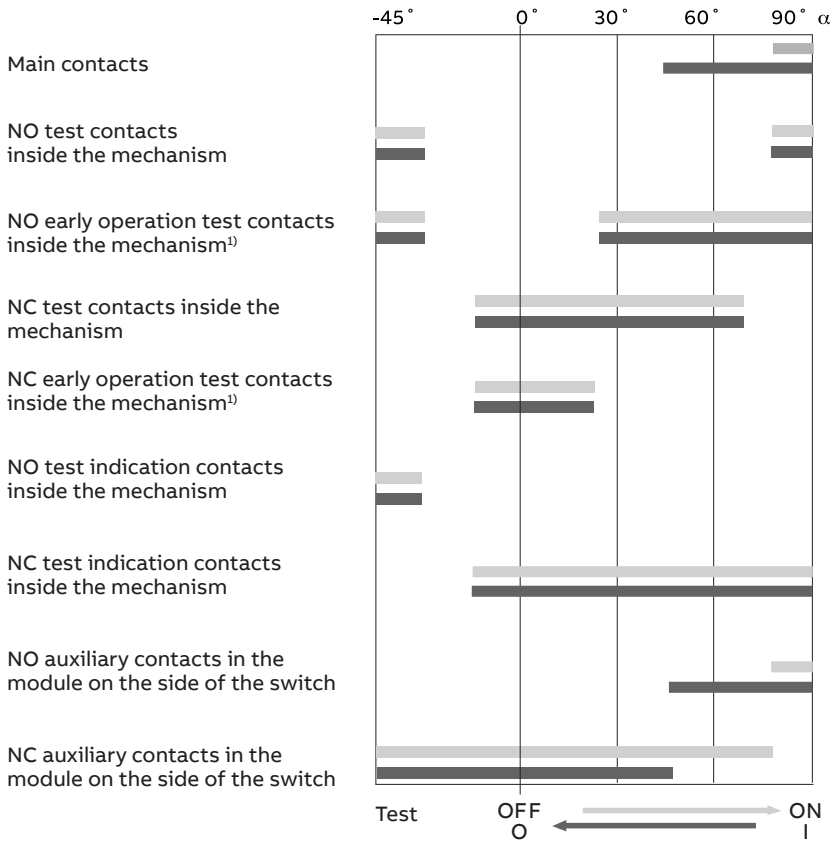
**Closing:**

- 1. Main contacts close
- 2. NO auxiliary contacts close
- 3. NC auxiliary contacts open

**Opening:**

- 4. Main contacts open
- 5. NO auxiliary contacts open
- 6. NC auxiliary contacts close

### ON and OFF-functions of main and auxiliary contacts OT160EV...4000



Contact	Contact configuration
OA1G10	1NO
OA3G01	1NC

<sup>1)</sup> OT1000...4000 only

## Ordering information

### Accessories



OZXA33



OZXA32



OZXA38



OZXA39



OTZC13



OTZC14



OTZC23



OTZC24



OTZC33



OTZC34



OTZR\_

### Parallel connection kits for change-over switches

For switches	Number of poles	Max. cable size	Type	Order number	Weight/unit
		mm <sup>2</sup>			kg

#### Connection bars

Finger protected connection bars for parallel connection of incoming or outgoing terminals. The bars accept additional cables, the maximum size is stated below.

OT16...32E_3C		6 (fine stranded), 10 (stranded)	OZXA33	1SCA022685R0310	0.02
OT16...32E_4C		6 (fine stranded), 10 (stranded)	OZXA32	1SCA022683R4110	0.03
OT45...63E_3C		25	OZXA38	1SCA022785R2140	0.06
OT45...63E_4C		25	OZXA39	1SCA022790R3820	0.09

#### Bridging bars

The bridging bars provide a connection link either on the incoming or outgoing side of the change-over switch.

OT200...250	3		OTZC13	1SCA022767R6910	0.60
	4		OTZC14	1SCA022767R7040	0.80
OT315...400	3		OTZC23	1SCA022767R7120	0.60
	4		OTZC24	1SCA022767R7210	0.80
OT630...800	3		OTZC33	1SCA022785R7020	1.00
	4		OTZC34	1SCA022785R7110	1.30

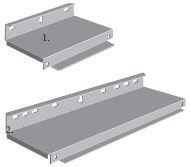
#### Reversing bars

A reversing switch can be built up by using phase sequence bars in two phases. The kit includes two phase sequence conversion bars. The missing bridging bars must be ordered separately. For example 3-pole switches: one 4-pole standard bridging bar kit is required (one bar for the reversing side, three bars for the other side).

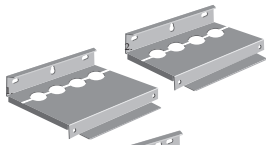
OT160...250_C			OTZR1	1SCA100352R1001	0.3
OT315...400_C			OTZR2	1SCA104647R1001	0.3
OT600...800_C			OTZR3	1SCA100355R1001	0.4

## Ordering information

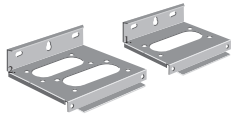
### Enclosure accessories



OEZXP\_0



OEZXP\_R



OEZXP\_C

#### Cable entry plates for steel sheet enclosures

These cable entries and plates are also used for fixing the enclosed switch-disconnectors. The flanges have to be ordered separately. The plates are also suitable for EMC applications.

Size of cable entry W x D mm	Number of C-flange entries pcs	Number of ring-flange entries pcs	Type	Order number	Weight kg
------------------------------------	-----------------------------------	--------------------------------------	------	--------------	--------------

#### Blank entries, no flange entries <sup>3)</sup>

250x180	-	-	OEZXP120 <sup>1)</sup>	1SCA022277R2350	0.8
400x230	-	-	OEZXPE240	1SCA022399R0040	1.5
400x330	-	-	OEZXPE340	1SCA022399R0120	2.0
800x230	-	-	OEZXPE280	1SCA022399R0210	3.0
800x330	-	-	OEZXPE380	1SCA022399R0390	4.0

#### Cable entry plates with ring-flange entries, divided<sup>2) 3)</sup>

400x230	-	4	OEZXPE24R	1SCA022399R0470	1.6
400x330	-	4	OEZXPE34R	1SCA022399R0550	2.1
800x230	-	8	OEZXPE28R	1SCA022399R0630	3.2
800x330	-	8	OEZXPE38R	1SCA022399R0710	4.2

#### Cable entry plates with C-flange entries, compact<sup>2)</sup>

250x180	1	-	OEZXP120C <sup>1)</sup>	1SCA022338R5360	0.8
400x230	2	-	OEZXP240C	1SCA022338R5520	1.7
400x330	3	-	OEZXP340C	1SCA022338R5790	2.3
800x230	4	-	OEZXP280C	1SCA022338R5950	3.4
800x330	6	-	OEZXP380C	1SCA022338R6170	4.5

#### Cable entry gasket set for IP65 switches

For IP65 switches only, to seal up the cable entry	OEZXX2	1SCA022281R5340	
--	--------	-----------------	--

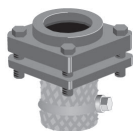
<sup>1)</sup> Includes knock-outs ø 10, 12.5, 20.5 and 25.5

<sup>2)</sup> Includes knock-outs ø 10, 12.5, 20.5, 25.5 and 32.5<sup>1)</sup>

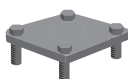
<sup>3)</sup> E-type plates are both for normal and EMC use.

## Ordering information

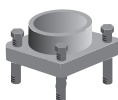
### Enclosure accessories



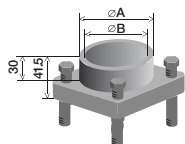
OEZXR1\_



OEZXR0\_



OEZXX1\_



### Cable flanges for steel sheet enclosures

#### EMC ring-flanges for different cable diameters <sup>1)</sup>

Outside diameter of cable mm	Suitable for cable entries	Type	Order number	Weight kg
22...35	OEZXPE_R	OEZXRE134	1SCA022399R1010	0.45
31...44	OEZXPE_R	OEZXRE143	1SCA022399R1100	0.40
39...51	OEZXPE_R	OEZXRE150	1SCA022399R1280	0.35
46...59	OEZXPE_R	OEZXRE158	1SCA022399R1360	0.30

#### Ring-flange covers with knock-out openings

Knock-out size $\varnothing$ / mm	Suitable for cable entries	Type	Order number	Weight kg
20.5	OEZXPE_R	OEZXRE020	1SCA022656R8480	0.16
22.5	OEZXPE_R	OEZXRE023	1SCA022399R0800	0.16
25.5	OEZXPE_R	OEZXRE025	1SCA022656R8560	0.16
37	OEZXPE_R	OEZXRE037	1SCA022399R0980	0.16
40.5	OEZXPE_R	OEZXRE040	1SCA022656R8640	0.16

#### EMC ring-flanges for different cable diameters

Outside diameter of cable mm	Suitable for cable entries	Type	Order number	Weight kg
22...35	OEZXPE_R	OEZXR134	1SCA022277R5610	0.45
31...44	OEZXPE_R	OEZXR143	1SCA022277R5880	0.40
39...51	OEZXPE_R	OEZXR150	1SCA022277R6000	0.35
46...59	OEZXPE_R	OEZXR158	1SCA022277R6260	0.30

<sup>1)</sup> E-types are for both EMC and non EMC enclosures

### Plate extension for ring-flanges

Screws are included in the delivery. With a plate extension the shrinkable hose can be mounted around the ring-flange and the cable.



OEZXX143R

Suitable for ring-flanges	Dimensions mm		Type	Order number	Weight/ kg
	A	B			
OEZXR134 and OEZXR143	49	43	OEZXX143R	1SCA022350R3820	0.18
OEZXR150 and OEZXR158	70	64	OEZXX158R	1SCA022350R3910	0.18

## Ordering information

### Enclosure accessories



OZXT1



OZXT2



OZXL1



OZXB2



OZXB3



OZXB4



OZXB5



OZXB8



OZXB9

### Terminal clamps for Al and Cu cables

For suitability for steel sheet enclosed Safety Switches, please check the table on pages 16-17

#### Terminal clamp sets for Al- and Cu-cables, insulated versions

Cable cross section	Type	Order number	Unit/ type	Weight
mm <sup>2</sup>			pcs	kg
16...50 Al, 2.5...50 Cu	OZXT1 <sup>1)</sup>	1SCA022469R6310	3	0.05
16...50 Al, 2.5...50 Cu	OZXT1/1 <sup>1)</sup>	1SCA022469R6490	1	0.02
16...120 Al/Cu	OZXT2	1SCA022620R7200		0.21
2x(16...50) Al/Cu	OZXT3	1SCA022639R0720		0.21

<sup>1)</sup>Max. In = 63A

#### Terminal clamp sets for Al- and Cu-cables

Cable cross section	Type	Order number	Unit/ type	Weight
mm <sup>2</sup>			pcs	kg
10...70 Al/Cu	OZXL1	1SCA022439R6770	3	0.18
10...70 Al/Cu	OZXL1/1	1SCA022469R6220	1	0.06
10...70 Al/Cu	OZXL2	1SCA022335R2430	3	0.20
10...70 Al/Cu	OZXL2/1	1SCA022352R3340	1	0.07

#### OZXB type Al/Cu connectors made of stainless steel

Cable cross section	Type	Order number	Unit/ type	Weight
mm <sup>2</sup>			pcs	kg
10...70 Al/Cu	OZXB1	1SCA022119R7450	3	0.15
10...70 Al/Cu	OZXB1/1	1SCA022193R9880	1	0.05
25...120 Al/Cu	OZXB2	1SCA022119R7610	3	0.34
25...120 Al/Cu	OZXB2/1	1SCA022194R0200	1	0.12
25...120 Al/Cu	OZXB2L	1SCA022158R7750	3	0.43
25...120 Al/Cu	OZXB2L/1	1SCA022194R0460	1	0.15
70...185 Al/Cu	OZXB3	1SCA022136R8100	3	1.28
70...185 Al/Cu	OZXB3/1	1SCA022194R0620	1	0.13
2x(70...185) Al/Cu	OZXB4	1SCA022137R4760	3	1.71
2x(70...185) Al/Cu	OZXB4/1	1SCA022194R0890	1	0.60
95...185 Al/Cu	OZXB8	1SCA022744R1510	3	0.50
95...185 Al/Cu	OZXB8/1	1SCA022744R1600	1	0.15
95...240 Al/Cu	OZXB9	1SCA022750R3210	3	0.50
95...240 Al/Cu	OZXB9/1	1SCA022750R3300	1	0.14
120...300 Al/Cu	OZXB5	1SCA022137R2470	3	2.22
120...300 Al/Cu	OZXB5/1	1SCA022194R1010	1	0.80
2x(120...300) Al/Cu	OZXB6	1SCA022137R4920	3	3.03
2x(120...300) Al/Cu	OZXB6/1	1SCA022194R1270	1	1.00

## Ordering information

### Enclosure accessories

#### Busbar connections

Cables for steel sheet safety switches.

##### Busbars for parallel connection



OZXE19



OZXE20



OZXE21



OZXE46

Suitable for terminal clamps or busbar	Bolt size	Type	Order number	Units/Weight	
				type	Weight
2x OZXB2, OZXB2L		OZXE21	1SCA022161R8810	3	0.3
2x OZXB1		OZXE20	1SCA022161R8650	3	
2x OZXB6 + OZXB5		OZXE19	1SCA022162R8020	3	
OZXB2 + OZXB2L, 2 x OZXB9		OZXE45	1SCA022809R0240	3	
2 x OZXB9		OZXE46	1SCA022809R3180	3	

##### Terminal boltset for terminal connections

Suitable for terminal clamps or busbar	Bolt size	Type	Order number	Units/Weight	
				type	Weight
OZXE21	M10 x 30	OZXE54	1SCA022733R9150	6	
OZXE45	M8 x 30	OZXE56	1SCA022811R5920	3	
OZXE46	M10 x 35	OZXE57	1SCA022811R6060	3	

#### Neutral links for 5-wire systems

Mounting with screws (included) onto either side of the switch (OXN250 to OS200...250) or on the base plate (OXN250...1250).



OESAZX162



OESAZX164



OESAZX165

Suitable for terminal clamps or busbar	Bolt size	Type	Order number	Units/Weight	
				type	Weight
200	10...120	OESAZX162	1SCA022193R0400	1	0.12
315	10...300	OESAZX164	1SCA022202R9520	1	0.10
400	10...300	OESAZX165	1SCA022202R9790	1	0.12



# Ordering information

## Enclosure accessories



### Cable flanges for steel sheet enclosures

#### C and B flanges

Mounting set for the flange is included: screws, nuts and sealing gasket or a seal extruded into the flanges. Degree of protection: IP65.

Suitable cable size $\varnothing$ / mm	For cable entries/ Compression glands	Type	Order number	Weight kg
--	---------------------------------------	------	--------------	-----------

#### Cable inlet, metallic

20...65	See the picture below	KIG-221-1	1SCA022468R0900	0.49
2x(20...65)		KIG-221-2	1SCA022468R1030	0.72

#### C-flange cover, steel IP65

-	OEZXP_C	OEZXC0	1SCA022277R6420	0.25
---	---------	--------	-----------------	------

#### B-flanges for cable entries IP65

15...40	See the picture below	KIM13-1*	1SEH655267R2050	0.20
2x(15...40)		KIM13-2*	1SEH655267R2060	0.30

#### C-flanges for cable entries IP65

15...45	See the picture below	KIG-1	1SCA022468R1540	0.22
20...65		KIG-2	1SCA022468R1620	0.40

B-flange (FL13) cable entry, aluminium, IP65. For OTL types. Threaded cable entry holes.	Type	Order number	Weight kg
1xM25	BFLR13125	1SCA159210R1001	0.08
2xM25	BFLR13225	1SCA159213R1001	0.07
2xM25 + 1xM16	BFLR13116225	1SCA159208R1001	0.08
1xM32	BFLR13132	1SCA159211R1001	0.07
2xM32	BFLR13232	1SCA159214R1001	0.06
1xM40	BFLR13140	1SCA159212R1001	0.10
2xM40	BFLR13240	1SCA159215R1001	0.09
2xM40 + 1xM16	BFLR13116240	1SCA159209R1001	0.08
Blank plate	BFLR13	1SCA159207R1001	0.08

#### B-flange (FL13) cable entry, plastic, IP65.

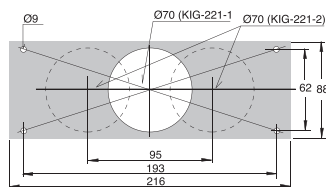
For OTP\_ and OTL\_ types. Threaded cable entry holes.

1xM25	BFLRP13125	1SCA159218R1001	0.04
2xM25	BFLRP13225	1SCA159220R1001	0.03
2xM25 + 1xM16	BFLRP13116225	1SCA159217R1001	0.03
1xM32	BFLRP13132	1SCA159219R1001	0.03
2xM32	BFLRP13232	1SCA159221R1001	0.03
Blank plate	BFLRP13	1SCA159216R1001	0.04

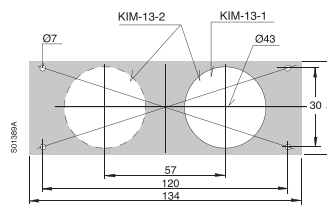
#### Gasket for B-flange (FL13), rubber

Gasket for B-flange	BFLP13/2	1SCA159206R1001	0.01
---------------------	----------	-----------------	------

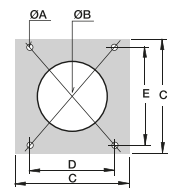
### Drilling guide



KIG-221-1 and KIG-221-2



KIM13-1 and KIM13-2



	$\varnothing A$	$\varnothing B$	C	D	E
KIG 1 (15-45 mm)	4,5	50	82	61	70,5
KIG 2 (20-65 mm)	5,5	70	100	61	85

KIG-1 and KIG-2

## Ordering information

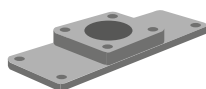
### Enclosure accessories

#### Cable flanges for steel sheet enclosures

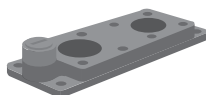
##### Ring-flange adapters for C-flange entries, Aluminum alloy

Mounting set for the flange is included: screws, nuts and a seal extruded into the flanges.

Ring-flanges have to be ordered separately.



OEZXC1R



OEZXC2R

Remarks	Suitable for cable entries	Type	Order number	Weight kg
One hole for ring- flanges and knock-outs $\varnothing 21$ , $\varnothing 23$ , $\varnothing 29$	OEZXP__C	OEZXC1R	1SCA022281R3560	0.53
Two holes for ring-flanges and one with Pg 16 threads	OEZXP__C	OEZXC2R	1SCA022281R3720	0.55

## Ordering information

### Enclosure accessories

#### Cable flanges for steel sheet enclosures

##### Aluminum flange. One or two cable entries.

Mounting sets for the flanges to be ordered separately.

Degree of protection: IP44.



LAKII/48



LAKII/2X48

Suitable cable		Type	Order number	Weight
size $\varnothing$ / mm				kg
<b>B-flanges</b>				
1x35		LAKI/35	1SCA100721R1001	0.24
2X35		LAKI/2X35	1SCA100722R1001	0.34
<b>C-flanges</b>				
2x48		LAKII/2X48	1SCA100698R1001	0.80
2x58		LAKII/2X58	1SCA100700R1001	1.00
1x48		LAKII/48	1SCA100697R1001	0.70
1x58		LAKII/58	1SCA100699R1001	0.90
<b>Mounting set</b>				
Mounting set for B-flange types, including gasket, screws, washers and locking nuts.		OEZXX29	1SCA100723R1001	0.30
Mounting set for C-flange types, including gasket, screws, washers and locking nuts.		OEZXX28	1SCA100701R1001	0.30

## Ordering information

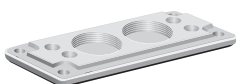
### Enclosure accessories



OEZXC11L



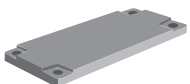
OEZXC12L



YMF-MB10861SET



YMF-MB10862SET



YMF-MB10215



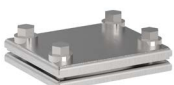
YMF-MK10440



KOT61007



KOT62296



KOT61008



L6

### Cable flanges for plastic or steel sheet enclosures

Flange size	Outside diameter of cable	Knock-out of control cable	Type	Order number	Weight/unit
	mm	mm			kg

#### II/C-flanges

For cable entries from bottom. Mounting set, flange and cable gasket included.

II / C	∅ 30...55	2 x ∅ 20,5	OEZXC11L	1SCA022560R5570	0.40
II / C	2 x ∅ 30...60	2 x ∅ 20,5 + 2 x ∅ 10	OEZXC12L	1SCA022560R5730	0.53

#### Includes sealing gasket and fixing accessories

II / C	2xM50 + 4xM20		YMF-MB10861SET	1SCA022715R9090	0.14
II / C	2xM32+2xM25+3xM20+2xM16		YMF-MB10862SET	1SCA022715R9170	0.12

#### I/B-flanges

For cable entries from bottom. Mounting set, flange and cable gasket included (OEZXB).

I / B	Cover plate		YMF-MB10215	1SCA022191R2170	0.05
	Screw (plastic coated head) 4 pcs /cover plate		YMF-MB10345	1SCA010352R7030	
	Nut, 4 pcs /cover plate		FGNSUM6X	1SCA010234R6620	
I / B	Gasket for cover plate		YMF-MK10440	1SCA022660R7130	0.01

### Cable flanges for stainless steel enclosures

Flange type	Outside diameter of cable	Type	Order number	Weight/unit
	mm			kg
Membrane type cable flange	27...66	KOT61007	1SCA101607R1001	0.40
Membrane type cable flange for EMC-applications	27...57	KOT62296	1SCA125871R1001	0.40
Flange cover, to block remaining flange openings		KOT61008	1SCA101606R1001	0.20

### Other accessories for plastic enclosures

Description	Remarks	Type	Order number	Weight kg
Mounting lugs (set of 4pcs.)	Plastic, for wall mounting	YMF-MB10674	1SCA022229R0010	

### Padlock unit suitable for all side operated switches

Description	Type	Order number	Weight kg
Shackle for up to 6 padlocks	L6	2CMA144539R1000	

## Ordering information

### Enclosure accessories

#### Compression glands, IP65

##### Plastic

Thread	Cable DIA	Type	Order number	Weight
	mm			kg

##### Compression glands

M12	2-7	ESKV12	1SCA022715R5850	0.01
M16	4,5-10	ESKV16	1SCA022715R5930	0.01
M20	6-13	ESKV20	1SCA022715R6070	0.02
M25	9-17	ESKV25	1SCA022715R6150	0.02
M32	13-21	ESKV32	1SCA022715R6230	0.03
M40	14-28	ESKV40	1SCA022715R6310	0.06
M50	18-35	ESKV50	1SCA022715R6400	0.08
M63	34-48	ESKV63	1SCA022715R6580	0.10

##### Locking nuts

Needed if the enclosure holes are not provided with threads.

M12		EMUG12	1SCA022715R8280	0.01
M16		EMUG16	1SCA022715R8360	0.01
M20		EMUG20	1SCA022715R8440	0.01
M25		EMUG25	1SCA022715R8520	0.01
M32		EMUG32	1SCA022715R8610	0.01
M40		EMUG40	1SCA022715R8790	0.01
M50		EMUG50	1SCA022715R8870	0.02
M63		EMUG63	1SCA022715R8950	0.02

##### Metallic

Thread	Cable DIA	Type	Order number	Weight
	mm			kg

##### Compression glands

M12	3...6	EMSKV12/5	1SCA022722R2710	0.02
M16	5...9	EMSKV16/5	1SCA022722R2800	0.03
M20	9...13	EMSKV20/6	1SCA022722R2980	0.04
M25	11...16	EMSKV25/7	1SCA022722R3010	0.06
M32	14...21	EMSKV32/8	1SCA022722R3100	0.08
M40	19...27	EMSKV40/8	1SCA022722R3280	0.08
M50	24...35	EMSKV50/9	1SCA022722R3360	0.10
M63	32...42	EMSKV63/10	1SCA022722R3440	0.12

##### Locking nuts

Needed if the enclosure holes are not provided with threads.

M12		EMMU12	1SCA022722R1910	0.01
M16		EMMU16	1SCA022722R2040	0.01
M20		EMMU20	1SCA022722R2120	0.02
M25		EMMU25	1SCA022722R2210	0.02
M32		EMMU32	1SCA022722R2390	0.03
M40		EMMU40	1SCA022722R2470	0.04
M50		EMMU50	1SCA022722R2550	0.05
M63		EMMU63	1SCA022722R2630	0.06



ESKV20



EMUG12



EMUG32



EMSKV12



EMMU12

## Ordering information

### Enclosure accessories



ESKV-416

### Compression glands, IP68

#### Stainless

Thread	Cable DIA	Type	Order number	Weight
	mm			kg
<b>Compression glands</b>				
M16	4.5...10	ESKV-416	1SCA128106R	0.01
M25	9...17	ESKV-425	1SCA125033R	0.02
M32	13...21	ESKV-432	1SCA128107R	0.03

## Ordering information

Enclosure accessories for ATEX enclosed safety switches

### Compression glands for ATEX enclosed safety switches

#### Plastic

Thread	Cable DIA	Type	Order number	Weight
	mm			kg
M12	4.5...9	EXM16G	1SCA152891R1001	0.01
M16	7...13	EXM20G	1SCA152892R1001	0.01
M20	10...17	EXM25G	1SCA152894R1001	0.02
M25	13...21	EXM32G	1SCA152896R1001	0.02
M32	17...28	EXM40G	1SCA152899R1001	0.03



EXM16G

#### Metallic

Thread	Cable DIA	Type	Order number	Weight
	mm			kg
M12	5...10	EMSKE16	1SCA157031R1001	0.02
M16	6...13	EMSKE20	1SCA157032R1001	0.03
M20	10...17	EMSKE25	1SCA157033R1001	0.04
M25	13...21	EMSKE32	1SCA157034R1001	0.06
M32	16...28	EMSKE40	1SCA157035R1001	0.08



EMSKE16

## Ordering information

### Enclosure accessories



KRM16/12



EPN650M32/M40



EPN650M25/M32



EPN550M50/M32



EPN550M50/M40



KEM50/63



EPN720M20/M16



EPN720M25/M16



EPN720M32/M20



EPN720M40/M25



EPN740M32/M40



EADR12



EADR16



EADR20



EADR25



EADR32



EADR50



YJTB3



D43585

### Adapters for M-threads

#### Plastic

Thread	Type	Order number	Weight
			kg
M16 to M12	KRM16/12	1SCA022749R6090	0.01
M16 to M20	EPN650M16/M20	1SCA103053R1001	0.01
M20 to M12	KRM20/12	1SCA022749R6170	0.01
M25 to M12	KRM25/12	1SCA022749R6980	0.01
M25 to M20	SORPNMPAM25/M20	1SCA022646R4510	0.01
M25 to M32	EPN650M25/M32	1SCA101159R1001	0.01
M32 to M25	SORPNMPAM32/M25	1SCA022646R4600	0.01
M32 to M40	EPN650M32/M40	1SCA101160R1001	0.01
M50 to M40	EPN550M50/M32	1SCA114803R1001	0.02
M50 to M40	EPN550M50/M40	1SCA104355R1001	0.02
M50 to M63	KEM50/63	1SCA114809R1001	0.02

#### Metallic

Thread	Type	Order number	Weight
			kg
M20 to M12	EPN720M20/M12	1SCA114806R1001	0.02
M20 to M16	EPN720M20/M16	1SCA114807R1001	0.02
M25 to M16	EPN720M25/M16	1SCA122555R1001	0.02
M25 to M20	EPN720M25/M20	1SCA109748R1001	0.02
M32 to M20	EPN720M32/M20	1SCA109749R1001	0.02
M25 to M32	EPN740M25/M32	1SCA151188R1001	0.02
M32 to M40	EPN740M32/M40	1SCA114810R1001	0.02
M40 to M50	EPN740M40/M50	1SCA150900R1001	0.02
M40 to M25	EPN720M40/M25	1SCA114808R1001	0.02

#### Gasket

Thread	Type	Order number	Weight
			kg
M12/ø12,5	EADR12	1SCA114804R1001	0.01
M16/ø16,5	EADR16	1SCA022749R6410	0.01
M20/ø20,5	EADR20	1SCA022749R6500	0.01
M25/ø2w5,5	EADR25	1SCA022749R6680	0.01
M32/ø32,5	EADR32	1SCA101165R1001	0.01
M40/ø40,5	EADR40	1SCA116849R1001	0.01
M50/ø50,5	EADR50	1SCA104353R1001	0.01

### Condensation water outlet IP44

#### Metallic

Hole diameter mm	Type	Order number	Weight
			kg
10	YJTB3	1SCA122170R1001	0.025

### Expander tube

Includes one tube

	Type	Order number	Weight
			kg
For OTA/OKA 125A...600A	D43585	1SCA142306R1001	0.1



## Ordering information

### Cable outlet accessories



OEZXX143R



OEZXP120



OEZXP240



OEZXP280



KOT62280



KOT62281



KOT62282



KOT62283



KOT62284



KOT62293



KOT62305



KOT62306



KOT62307

#### Ring-flange covers with knock-out openings

Knock-out size ø mm	Suitable for cable entries	Type	Order number	Weight
				kg
20.5	OEZXP_R	OEZXR020	1SCA022656R8130	0.16
22.5	OEZXP_R	OEZXR023	1SCA022277R5290	0.16
25.5	OEZXP_R	OEZXR025	1SCA022656R8210	0.16
37	OEZXP_R	OEZXR037	1SCA022277R5450	0.16
40.5	OEZXP_R	OEZXR040	1SCA022656R8300	0.16

#### Plate extension for ring-flanges

Screws are included in the delivery. With the help of a plate extension the plastic shrink film can be mounted over the ring-flange and the cable.

Suitable for ring-flanges	Dimensions		Type	Order number	Weight
	A mm	B mm			kg
OEZXR134 and OEZXR143	49	43	OEZXX143R	1SCA022350R3820	
OEZXR150 and OEZXR158	70	64	OEZXX158R	1SCA022350R3910	

#### Shields

The shield can be used as a roof to protect the enclosure against dust, water etc.

Size width x depth	Type	Order number	Units/type	Weight
pcs			pcs	kg

#### Steel sheet

Size	Type	Order number	Units/type	Weight
290 x 230	OEZXP120	1SCA022646R2730	1	1.2
440 x 280	OEZXP240	1SCA022646R3110	1	2.0
840 x 280	OEZXP280	1SCA022646R3200	1	3.8
840 x 380	OEZXP380	1SCA022647R3510	1	4.9

#### Painted zinc-plated steel sheet

Size	Type	Order number	Units/type	Weight
190x150	KOT62305	1SCA125902R1001	1	0.5
240X185	KOT62306	1SCA125903R1001	1	0.7
205x160	KOT62307	1SCA125905R1001	1	0.5

#### Stainless steel sheet

Size	Type	Order number	Units/type	Weight
190x150	KOT62282	1SCA125777R1001	1	0.5
240X185	KOT62283	1SCA125776R1001	1	0.7
205x160	KOT62284	1SCA125815R1001	1	0.5

#### Stainless steel sheet, acid proof

Size	Type	Order number	Units/type	Weight
440X282	KOT62280	1SCA125779R1001	1	1.8
840X382	KOT62281	1SCA125780R1001	1	4.4
840X282	KOT62293	1SCA125816R1001	1	3.4

## Ordering information

Cable outlet accessories for EMC safety switches



EMCM16SET ... EMCM85SET

### Compression glands, EMC, metallic

Includes the locking nuts. IP67

Thread	Cable DIA	Type	Order number
	mm		
M16	5...10	EMCM16SET	1SCA022713R4000
M20	7.5...14	EMCM20SET	1SCA022713R3610
M25	10...18	EMCM25SET	1SCA022713R3700
M32	16...25	EMCM32SET	1SCA022713R3960
M40	22...32	EMCM40SET	1SCA022734R5040
M50	30...38	EMCM50SET	1SCA114252R1001
M75	46...58	EMCM75SET	1SCA114254R1001
M85	58...65	EMCM85SET	1SCA022727R1760

### Enlargement adapter for EMC cable glands. IP67

Thread	Cable DIA	Type	Order number
	mm		
M23/M32	10...16	EMCM25/M32SET	1SCA022722R3790

### Compression glands, ATEX, EMC, metallic

Locking nuts excluded. Not needed in aluminium ATEX enclosures. IP67

Thread	Cable DIA	Type	Order number
	mm		
M16	4...8	EXN03MMC6	7TCA297180R0798
M20	4...12	EXN04MMC6	7TCA297180R0799
M25	10...18	EXN05MMC6	7TCA297180R0800
M32	14...24	EXN06MMC6	7TCA297180R0801
M40	22...32	EXN07MMC6	7TCA297180R0802
M50	26...35	EXN08MMC6	7TCA297180R0803





---

# Dimension drawings

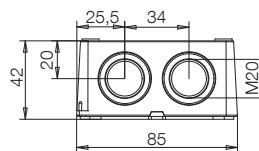
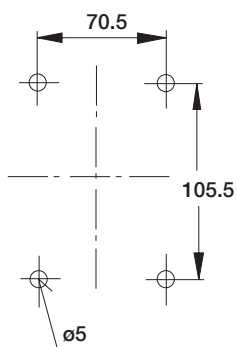
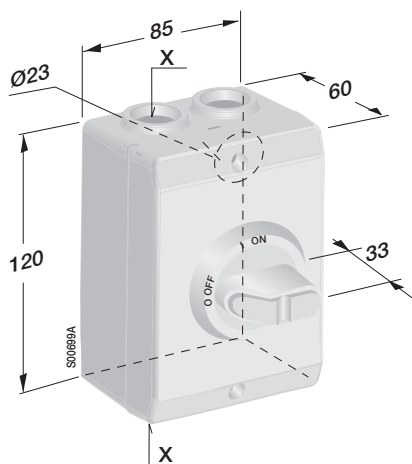
## Table of contents

<b>166</b>	Plastic enclosed safety switches
<b>170</b>	Steel and stainless steel sheet enclosed safety switches
<b>172</b>	Steel sheet enclosed safety switches
<b>174</b>	Stainless steel sheet enclosed safety switches
<b>176</b>	Enclosure accessories
<b>178</b>	Plastic enclosed switch-disconnectors
<b>180</b>	Cable entry for OT-type enclosures
<b>181</b>	Plastic enclosed switch-disconnectors and switch
<b>182</b>	Plastic enclosed DC-switch-disconnectors and switch fuses
<b>183</b>	Steel sheet / stainless steel sheet enclosed switch-disconnectors
<b>185</b>	Steel sheet enclosed switch-disconnectors and change-over switches
<b>186</b>	Steel sheet enclosed switch fuses
<b>187</b>	Steel sheet enclosed safety switches
<b>188</b>	Aluminum enclosed switch-disconnectors

## Dimension drawings

Plastic enclosed safety switches

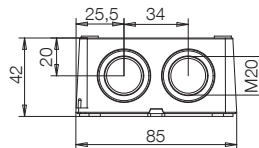
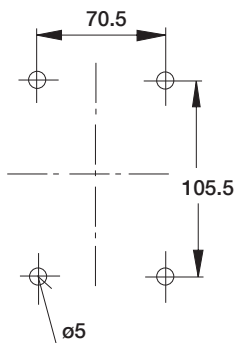
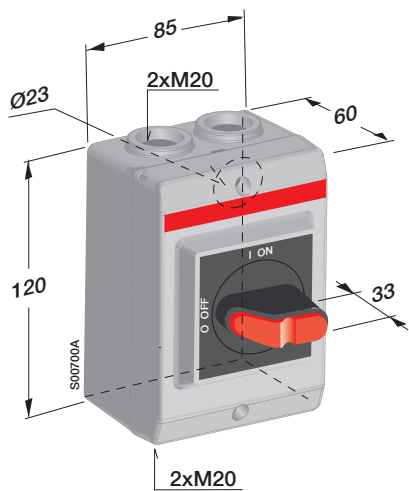
OTP16H\_



OTP16H3M

Type	X
OTP16H3P_	2 x PG16
OTP16H3M	2 x M20
OTP16H3M25_	2 x M25

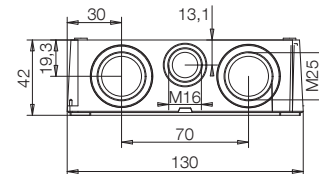
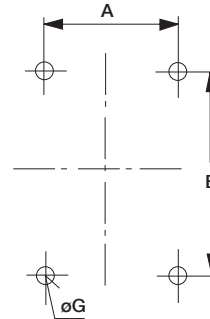
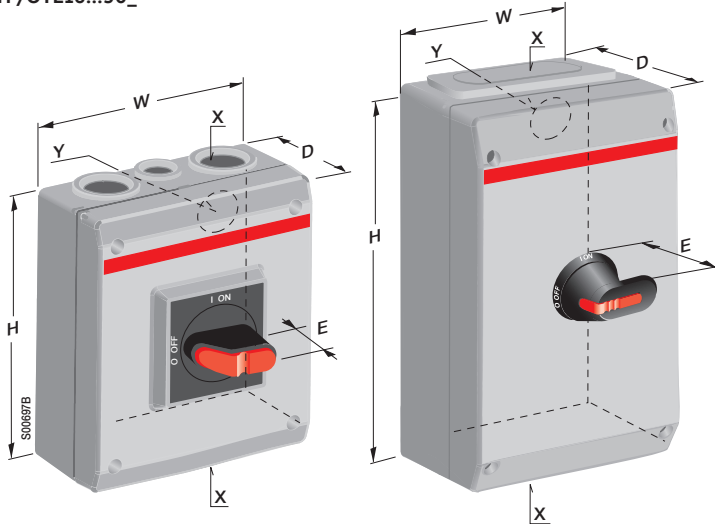
OTP16K3M1, OTP16K3M



# Dimension drawings

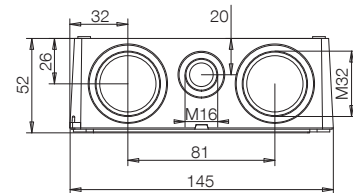
## Plastic enclosed safety switches

### OTP/OTE16...90\_

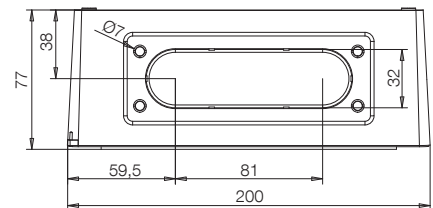


Type	W	H	D	E	B	A	ØG	X	Y
<b>3- and 4-pole</b>									
OTP16_3M,_4M	130	150	60	33	115	136	5	2xM25+M16	2x (ø29+ø19)
OTE16_3M,_4M	130	150	85	33	115	136	5	2xM25+M16	2x (ø29+ø19)
OTP/OTE25_3M,_4M	145	200	90	33	129.5	182.5	5	2xM32+M16	2x (ø38+ø19)
OTP/OTE36_3M,_4M	145	200	90	33	129.5	182.5	5	2xM32+M16	2x (ø38+ø19)
OTP63_3M	145	200	90	33	129.5	182.5	5	2xM32+M16	2x (ø38+ø19)
OTP/OTE75_3M,_4M	200	400	140	33	176	376	6	2xM50+M16	2x (ø38+ø19)
OTP/OTE75_3B,_4B	200	400	140	33	176	376	6	I-flange	-
OTP/OTE75_3U,_4U	200	400	140	33	176	376	6	-	-
OTP/OTE90_3M,_4M	200	400	140	33	176	376	6	2xM50+M16	2x (ø38+ø19)
OTP/OTE90_3B,_4B	200	400	140	33	176	376	6	I-flange	-
OTP/OTE90_3U,_4U	200	400	140	33	176	376	6	-	-
<b>6-pole</b>									
OTP16_6M	130	150	85	33	115	136	5	2xM25+M16	2x (ø29+ø19)
OTP25_6M	145	200	90	45	129.5	182.5	5	2xM32+M16	2x (ø38+ø19)
OTE25_6B	200	400	140	45	176	376	6	I-flange	-
OTP36_6M	145	200	90	45	129.5	182.5	5	2xM32+M16	2x (ø38+ø19)
OTE36_6B	200	400	140	45	176	376	6	I-flange	-
OTP63_6B	200	400	140	45	176	376	6	I-flange	-
OTP/OTE75_6M	200	400	140	45	176	376	6	2xM50+M16	2x (ø38+ø19)
OTP75_6B	200	400	140	45	176	376	6	I-flange	-
OTP75_6U	200	400	140	45	176	376	6	-	-
OTP/OTE90_6M	200	400	140	45	176	376	6	2xM50+M16	2x (ø38+ø19)
OTP90_6B	200	400	140	45	176	376	6	I-flange	-
OTP90_6U	200	400	140	45	176	376	6	-	-

Type	X
OTP16_3M,_4M	2xM25+M16
OTE16_3M,_4M	2xM25+M16
OTP16_6M	2xM25+M16



Type	X
OTP/OTE25_3M,_4M	2xM32+M16
OTP25_6M	2xM32+M16
OTP/OTE36_3M,_4M	2xM32+M16
OTP36_6M	2xM32+M16
OTP63_3M	2xM32+M16

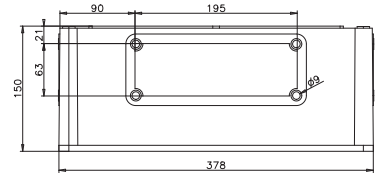
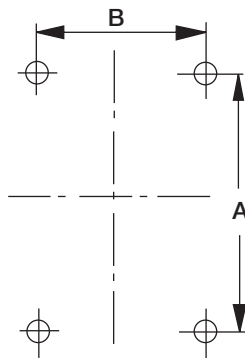
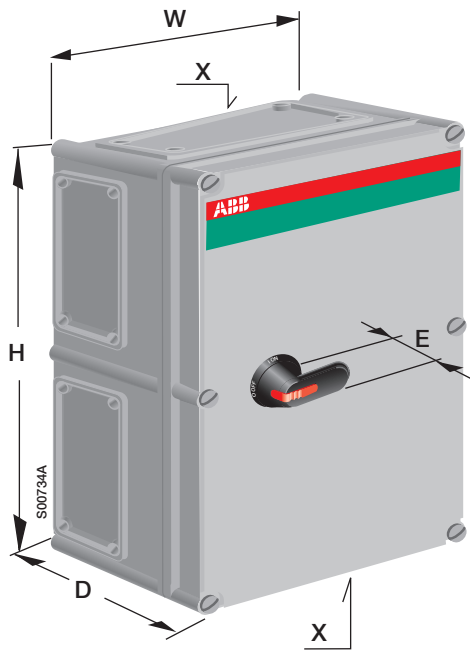


Type	X
OTP/OTE75_3B,_4B	I-flange
OTP/OTE75_6B	I-flange
OTP/OTE90_3B,_4B	I-flange
OTP90_6B	I-flange
OTE25_6B	I-flange
OTE36_6B	I-flange

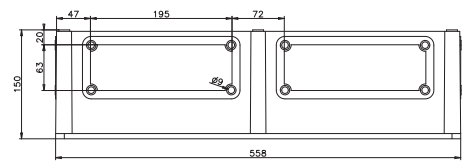
## Dimension drawings

### Plastic enclosed safety switches

OT90...1000\_



Type
OT 90AFCC6_
OT 125EFCC6_
OT 160EFCC6_
OT 160EGCC3_
OT 200KGCC3_
OT 250KGCC3_
OT 315KFCC3_ 4_
OT 315KGCC3_
OT 400DFCC3_ 4_



Fixing entry size in enclosure  $\varnothing$  7

Type	Size				Cable entry	Fixing dimensions	
	H	W	D	E		A	B
<b>Safety switch</b>							
<b>3-pole and 4-pole</b>							
OT125EFCC3_ 4_	380	280	130	45	II	355	255
OT160EFCC3_ 4_	560	280	180	45	II	535	255
OT160EGCC3_	560	380	180	45	II	535	355
OT200KFCC3_ 4_	560	280	180	45	II	535	255
OT200KGCC3_	560	380	180	45	II	535	355
OT250KFCC3_ 4_	560	280	180	45	II	535	255
OT250KGCC3_	560	380	180	45	II	535	355
OT315KFCC3_ 4_	560	380	180	45	II	535	355
OT315KGCC3_	560	380	180	45	II	535	355
OT400DFCC3_ 4_	840	380	180	45	II	815	355
OT400DGCC3_	760	560	250	45	2 x II	735	535
OT630KFCC3_	760	560	250	45	2 x II	735	535
OT630KGCC3_	760	560	250	45	2 x II	735	535
OT1000BFCC3_	760	560	250	45	2 x II	735	535
<b>6-pole</b>							
OT90AFCC6_	280	380	180	45	II	255	355
OT125EFCC6_	560	380	180	45	II	535	355
OT160EFCC6_	560	380	180	45	II	535	355
OT200KFCC6_	760	560	250	45	2 x II	735	535
OT250KFCC6_	760	560	250	45	2 x II	735	535
OT315KFCC6_	760	560	250	45	2 x II	735	535
OT400DFCC6_	760	560	250	45	2 x II	735	535

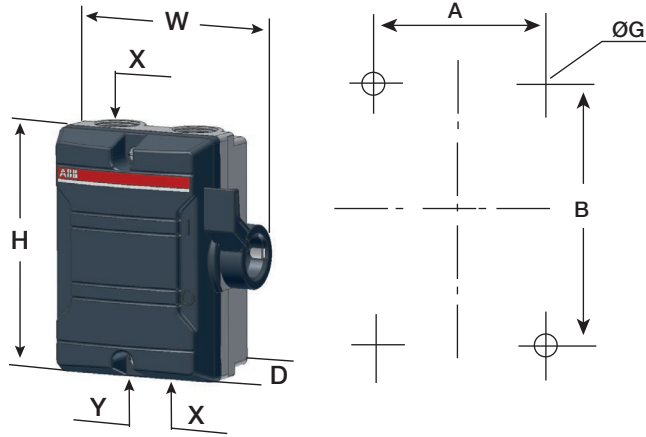
Type
OT 200KFCC6_
OT 250KFCC6_
OT 315KFCC6_
OT 400DFCC6_
OT 400DGCC3_
OT 630KFCC3_
OT 630KGCC3_



## Dimension drawings

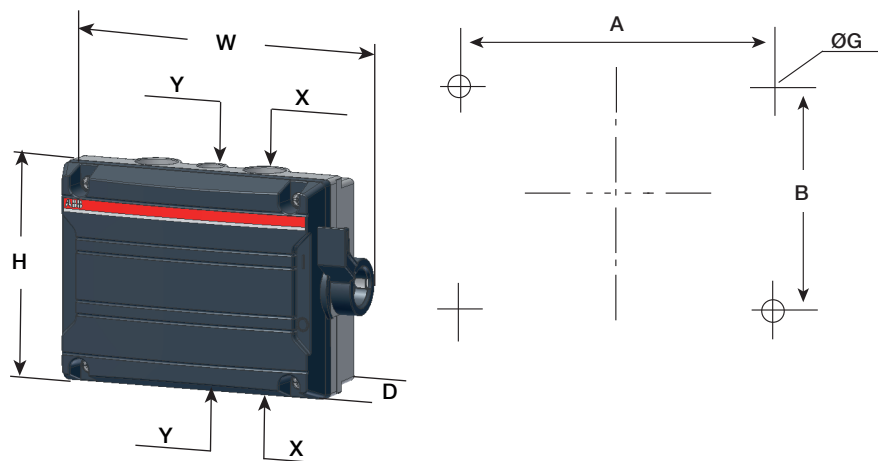
### Plastic enclosed safety switches

#### Side-operated safety switches BWS\_16...BWS\_25



Type	Size			Cable entry		Fixing dimensions		
	W	H	D	X	Y	A	B	G
<b>3-pole, Plastic enclosed side-operated safety switches</b>								
BWS316_	111	130	60	2xM25	-	64	90	5
BWS325_	138	168	68	2xM32	1xM16	90	127	5
<b>4-pole, Plastic enclosed side-operated safety switches</b>								
BWS416_	111	130	60	2xM25		64	90	5
BWS425_	138	168	68	2xM32	1xM16	90	127	5

#### BWS616...BWS625

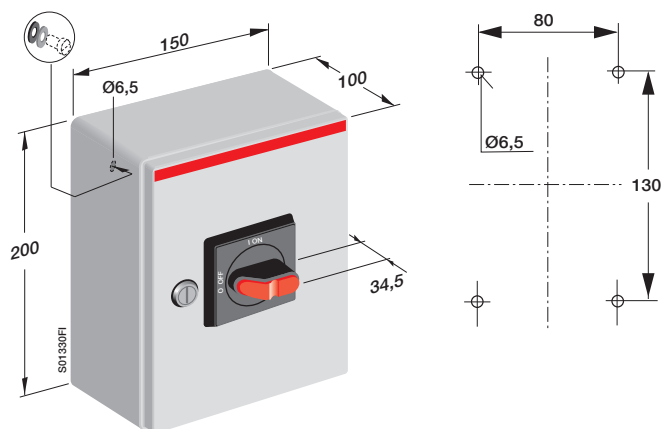


Type	Size			Cable entry		Fixing dimensions		
	W	H	D	X	Y	A	B	G
<b>6-pole, Plastic enclosed side-operated safety switches</b>								
BWS616_	190	130	65	2xØ25	Ø16	124	90	5
BWS625_	190	130	65	2xØ25	Ø16	124	90	5

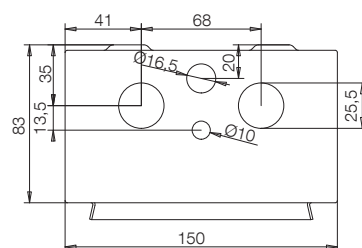
## Dimension drawings

Steel and stainless steel sheet enclosed safety switches

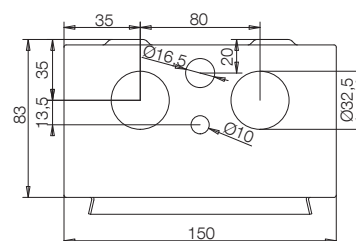
### OTL, OTR16...63 with selector handle



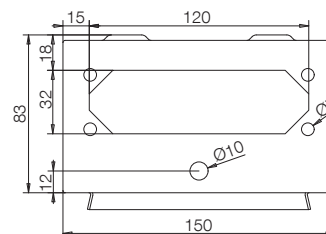
3-pole	OTL, OTR16...63
4-pole	OTL, OTR16...63
6-pole	OTL, OTR16
EMC	OT16...36ETMM3_E, OT16ETMM6_E



Type	Cable outlets
OTL/OTR16_3M, 4M, 6M	2xØ25.5+Ø16.5
OT16ETMM3_E, 6_E (EMC)	2xØ25.5+Ø16.5



Type	Cable outlets
OTL/OTR25...36_3M, 4M	2xØ32.5+Ø16.5
OT25...36ETMM3_E, 6_E (EMC)	2xØ32.5+Ø16.5

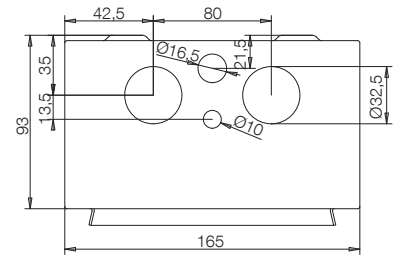
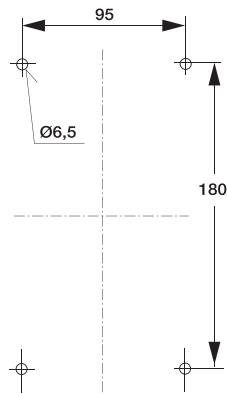
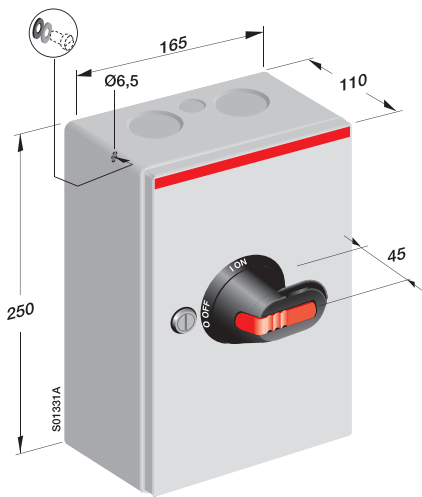


Type	Cable outlets
OTL/OTR16...63_3B, 4B	B-flange
OTL/OTR16_6B	B-flange

## Dimension drawings

Steel and stainless steel sheet enclosed safety switches

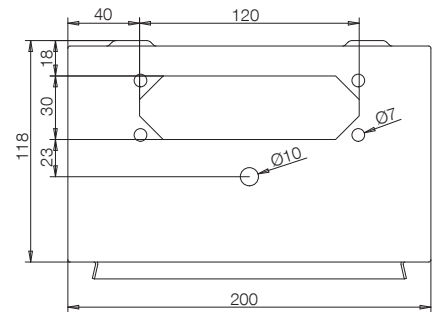
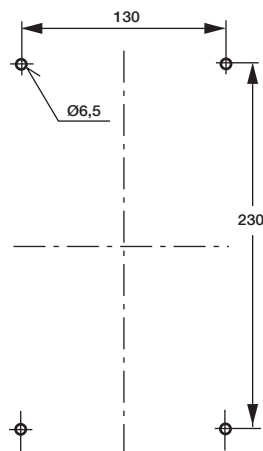
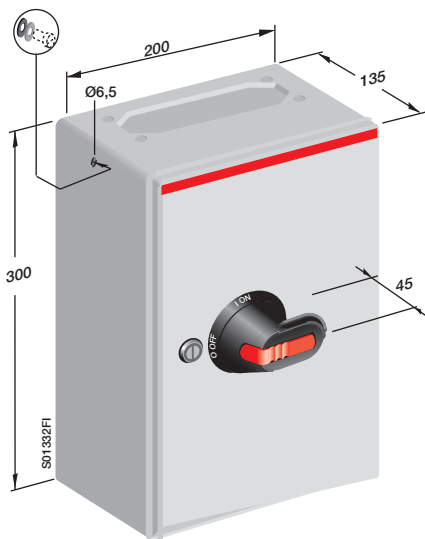
### OTL, OTR25...63 pistol handle



Type	Cable outlets
OTL/OTR63_3M, 4M	2xØ32.5+Ø16.5
OTL/OTR25...36_6M	2xØ32.5+Ø16.5
OT63ETMM3_E (EMC)	2xØ32.5+Ø16.5

3-pole	OTL, OTR63
4-pole	OTL, OTR63
6-pole	OTL, OTR25...36
EMC	OT63ETMM3_E, OT25...36ETMM6_E

### OTL, OTR75...90 pistol handle



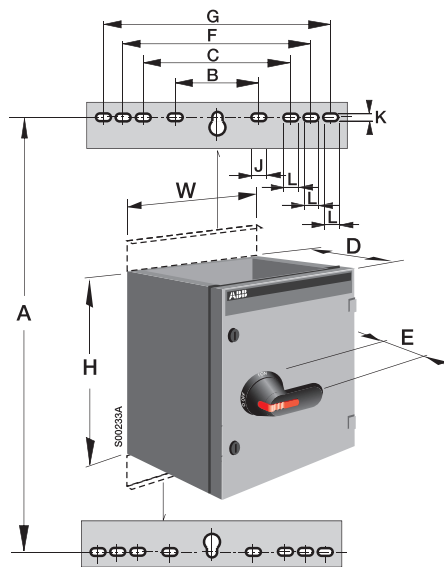
Type	Cable outlets
OTL/OTR75...90_3B, 4B, 6B	B-flange
OTL/OTR25...36_6B	B-flange

3-pole	OTL, OTR75...90
4-pole	OTL, OTR75...90
6-pole	OTL, OTR25...90

## Dimension drawings

### Steel sheet enclosed safety switches

OT16...1250\_



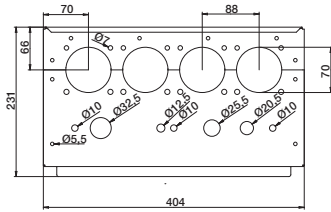
Type	Size				Fixing dimensions					Fixing hole		
	H	W	D	E	A	B	C	F	G	J	K	L
<b>Steel sheet enclosed</b>												
<b>3- and 4-pole cable entries from top and bottom</b>												
OT90A_3_4_Z	400	250	180	45	445	162				27	11	
OT125E_3_4_Z	400	250	180	45	445	162				27	11	
OT160E_3_4_Z	600	400	230	45	645	303				35	11	
OT200K_3_4_Z	600	400	230	45	645	303				35	11	
OT250K_3_4_Z	600	400	230	45	645	303				35	11	
OT315K_3_4_Z	600	400	230	45	645	303				35	11	
OT400D_3_4_Z	800	400	230	45	845	303				35	11	
OT630K_3_4_Z	1000	400	230	45	1045	303				35	11	
OT800E_3_4_Z	1000	400	230	45	1045	303				35	11	
OT1000B_3	1200	800	330	45	1245	303	512	612	712	35	11	27
OT1000BBAA3	1200	400	330	45	1245	303				35	11	
OT1250E_3	1200	800	330	45	1245	303	512	612	712	35	11	27
<b>3-pole, cable entries from bottom / 4-pole 250-400A cable entries from bottom</b>												
OT16E_3	400	250	180	45	445	162				27	11	
OT25E_3	400	250	180	45	445	162				27	11	
OT36E_3	400	250	180	45	445	162				27	11	
OT75E_3	400	250	180	45	445	162				27	11	
OT90A_3	400	400	230	45	445	303				35	11	
OT125E_3	400	400	230	45	445	303				35	11	
OT160E_3	600	400	230	45	645	303				35	11	
OT200K_3	600	400	230	45	645	303				35	11	
OT250K_3	800	400	230	45	845	303				35	11	
OT250K_4	600	400	230	45	645	303				35	11	
OT315K_3	800	400	230	45	845	303				35	11	
OT315K_4	600	400	230	45	645	303				35	11	
OT400D_3	800	400	230	45	845	303				35	11	
OT400D_4	600	400	230	45	645	303				35	11	
OT630K_3	1000	800	230	45	1045	303	512	612	712	35	11	27
OT630KB_3	1000	400	330	45	1045	303				35	11	
OT800E_3	1000	800	230	45	1045	303	512	612	712	35	11	27
OT1000B_3	1200	800	330	45	1245	303	512	612	712	35	11	27
OT1250E_3	1200	800	330	45	1245	303	512	612	712	35	11	27
<b>6-pole, cable entries from top and bottom</b>												
OT90AL_6	400	400	230	45	445	303				35	11	
OT125EL_6	400	400	230	45	445	303				35	11	
OT160EL_6	600	400	230	45	645	303				35	11	
OT200KL_6	600	800	230	45	645	303	512	612	712	35	11	27
OT250KL_6	800	800	230	45	845	303	512	612	712	35	11	27
OT315KL_6	800	800	230	45	845	303	512	612	712	35	11	27
OT400DL_6	800	800	230	45	845	303	512	612	712	35	11	27
OT630KL_6	1000	800	230	45	1045	303	512	612	712	35	11	27
OT800EL_6	1000	800	230	45	1045	303	512	612	712	35	11	27
OT1000BL_6	1200	800	330	45	1245	303	512	612	712	35	11	27

# Dimension drawings

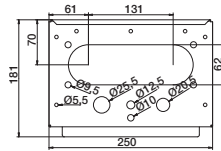
## Steel sheet enclosed safety switches

### OT90...1250\_ cable entries

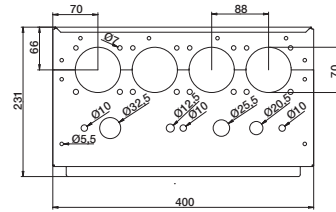
**OEZXP24R**



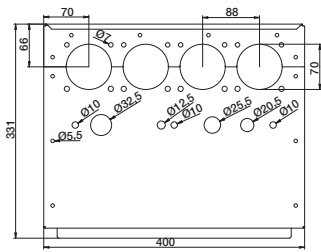
**OEZXP120C**



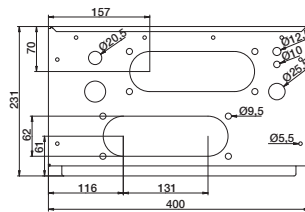
**OEZXPE24R (EMC)**



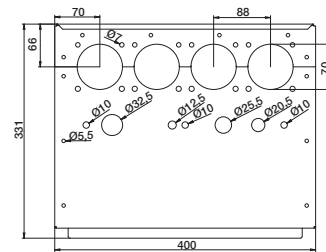
**OEZXP34R**



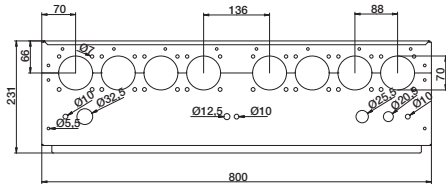
**OEZXP240C**



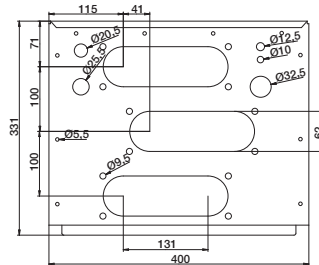
**OEZXPE34R (EMC)**



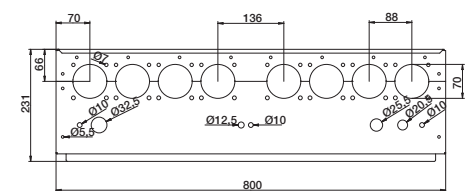
**OEZXP28R**



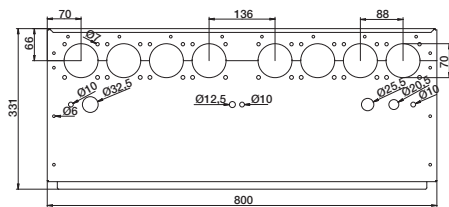
**OEZXP340C**



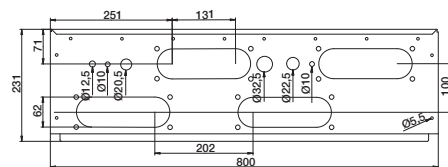
**OEZXPE28R (EMC)**



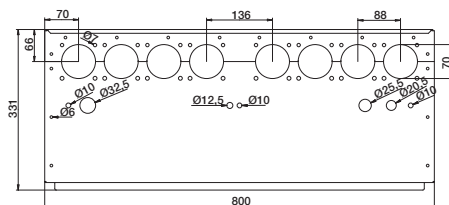
**OEZXP38R**



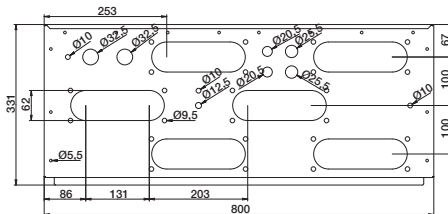
**OEZXP280C**



**OEZXPE38R (EMC)**

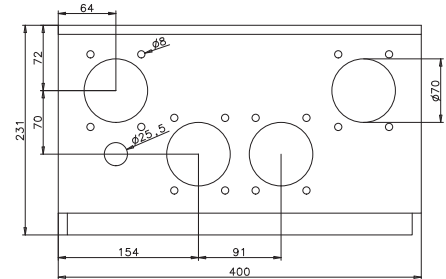
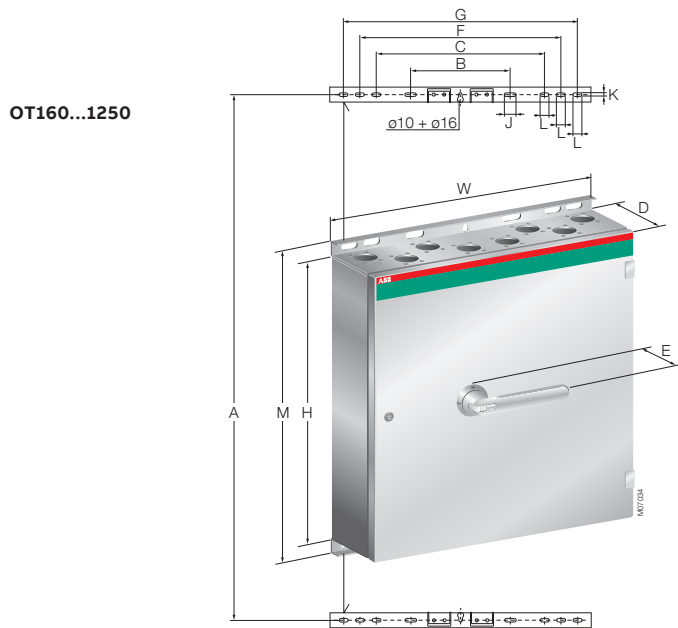


**OEZXP380C**

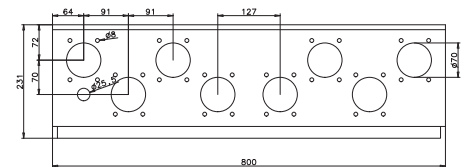


## Dimension drawings

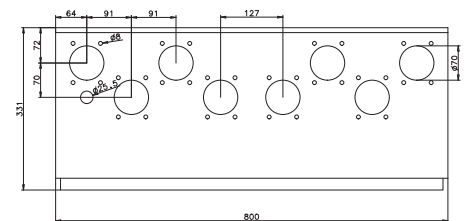
Stainless steel sheet enclosed safety switches



Type	Cable entry size
OT160EV...800ERRR3TZ	400x230
OT160EV...400ESUR3TZ	400x230



Type	Cable entry size
OT160EV...400ERRR6TZ	800x230
OT160EV...400ESUR6TZ	800x230



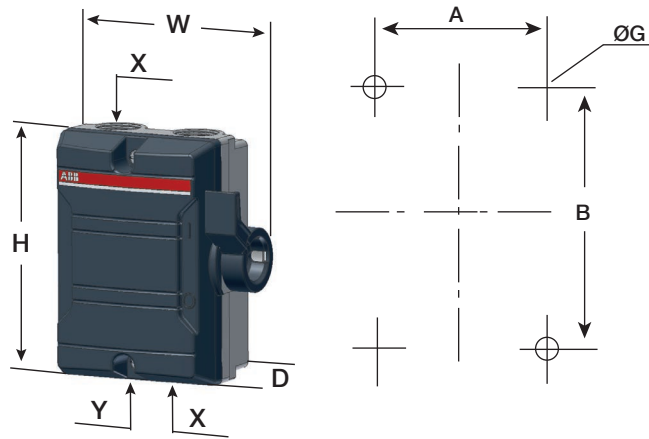
Type	Cable entry size
OT1000...1250ERRR3TZ	800x330
OT630...1250ESUR3TZ	800x330
OT630ESUR6TZ	800x330
OT630...800ERRRGTZ	800x330
OT630...800ERRRGTZ	800x330

Type	Size					Fixing dimensions					Fixing hole		
	H	W	D	E	M	A	B	C	F	G	J	K	L
<b>3-pole cable entries from top and bottom</b>													
OT160EVRRR3TZ	600	400	230	51	695	645	303				35	11	
OT200ERRR3TZ	600	400	230	51	695	645	303				35	11	
OT250ERRR3TZ	600	400	230	51	695	645	303				35	11	
OT315ERRR3TZ	600	400	230	51	695	645	303				35	11	
OT400ERRR3TZ	800	400	230	51	895	845	303				35	11	
OT630ERRR3TZ	1000	400	230	51	1095	1045	303				35	11	
OT800ERRR3TZ	1000	400	230	51	1095	1045	303				35	11	
OT1000ERRR3TZ	1200	800	330	51	1295	1245	303	512	612	712	35	11	27
OT1250ERRR3TZ	1200	800	330	51	1295	1245	303	512	612	712	35	11	27
<b>3-pole, cable entries from bottom</b>													
OT160ESUR3TZ	600	400	230	51	695	645	303				35	11	
OT200ESUR3TZ	600	400	230	51	695	645	303				35	11	
OT250ESUR3TZ	800	400	230	51	895	845	303				35	11	
OT315ESUR3TZ	800	400	230	51	895	845	303				35	11	
OT400ESUR3TZ	800	400	230	51	895	845	303				35	11	
OT630ESUR3TZ	1000	800	330	51	1095	1045	303	512	612	712	35	11	27
OT800ESUR3TZ	1000	800	330	51	1095	1045	303	512	612	712	35	11	27
OT1000ESUR3TZ	1200	800	330	51	1295	1245	303	512	612	712	35	11	27
OT1250ESUR3TZ	1200	800	330	51	1295	1245	303	512	612	712	35	11	27
<b>6-pole, cable entries from top and bottom</b>													
OT160EVRRR6TZ	800	800	230	51	895	845	303	512	612	712	35	11	27
OT200ERRR6TZ	800	800	230	51	895	845	303	512	612	712	35	11	27
OT250ERRR6TZ	800	800	230	51	895	845	303	512	612	712	35	11	27
OT315ERRR6TZ	800	800	230	51	895	845	303	512	612	712	35	11	27
OT400ERRR6TZ	800	800	230	51	895	845	303	512	612	712	35	11	27
OT630ERRR6TZ	1000	800	330	51	1095	1045	303	512	612	712	35	11	27
OT800ERRR6TZ	1000	800	330	51	1095	1045	303	512	612	712	35	11	27
<b>6-pole, cable entries from bottom</b>													
OT160ESUR6TZ	800	800	230	51	895	845	303	512	612	712	35	11	27
OT200ESUR6TZ	800	800	230	51	895	845	303	512	612	712	35	11	27
OT250ESUR6TZ	800	800	230	51	895	845	303	512	612	712	35	11	27
OT315ESUR6TZ	800	800	230	51	895	845	303	512	612	712	35	11	27
OT400ESUR6TZ	800	800	230	51	895	845	303	512	612	712	35	11	27
OT630ESUR6TZ	1000	800	330	51	1095	1045	303	512	612	712	35	11	27

## Dimension drawings

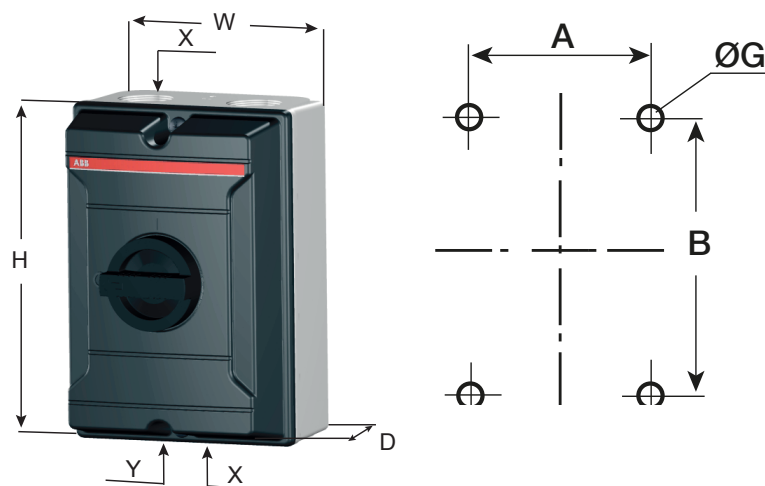
### Stainless steel sheet enclosed safety switches

#### Side-operated safety switches LBAS\_16...LBAS\_25



Type	Size			Cable entry		Fixing dimensions		
	W	H	D	X	Y	A	B	G
<b>3-pole, Aluminum enclosed side-operated safety switches</b>								
LBAS316_	111	130	60	2xM25	-	64	90	5
LBAS325_	138	168	68	2xM32	1xM16	90	127	5
<b>4-pole, Aluminum enclosed side-operated safety switches</b>								
LBAS416_	111	130	60	2xM25	-	64	90	5
LBAS425_	138	168	68	2xM32	1xM16	90	127	5

#### Front-operated safety switches LBAS\_45...LBAS\_90

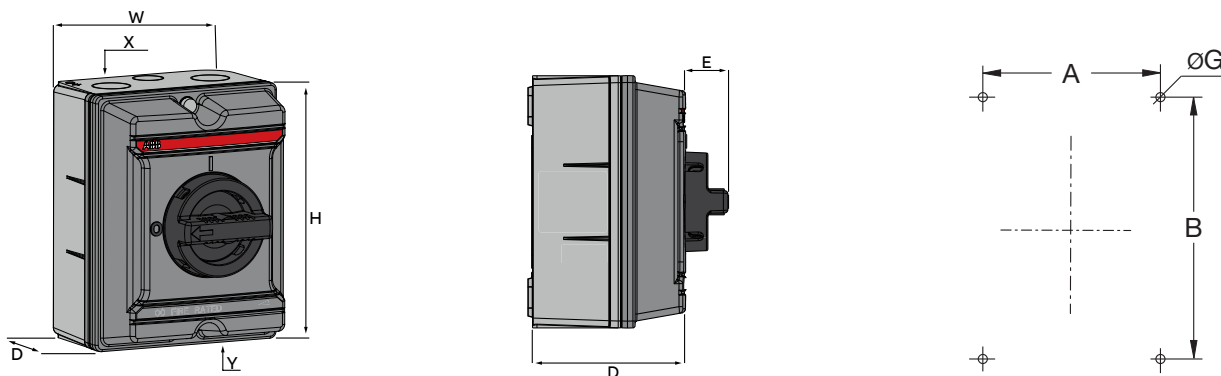


Type	Size			Cable entry		Fixing dimensions		
	W	H	D	X	Y	A	B	G
<b>Aluminum enclosed front-operated safety switches</b>								
LBAS_45..._90	160	230	145	2xM40	1xM16	124	190	5.3

## Dimension drawings

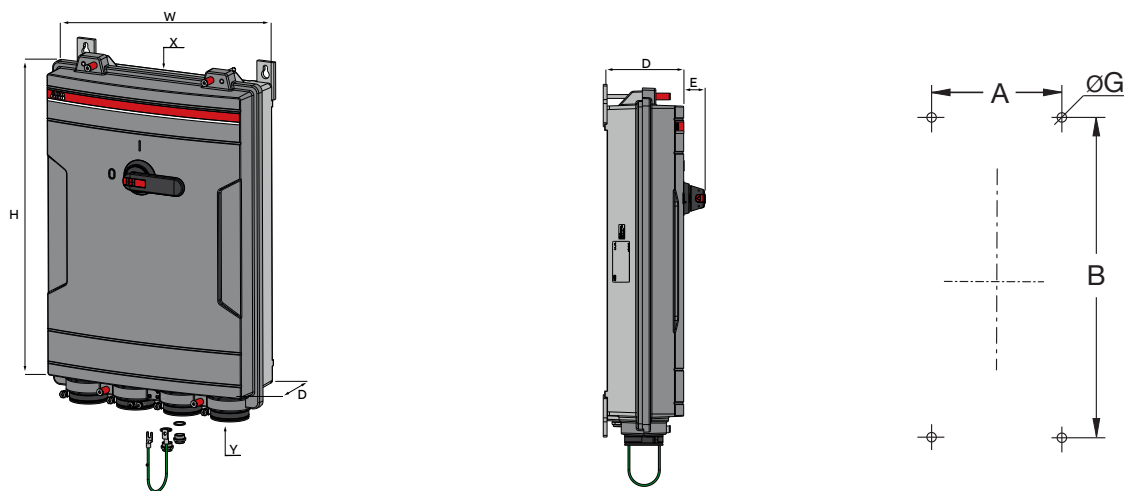
### Enclosure accessories

#### OTA16...63, OKA16...63



Size				Cable entry		Fixing dimensions		
H	W	D	E	X	Y	A	B	G
165	130	131	28	2xM25 + 1xM20	2xM25 + 1xM20	95	125	6,5

#### OTA125...600



#### OTA125...160, OKA125...160

Size				Cable entry		Fixing dimensions		
H	W	D	E	X	Y	A	B	G
620	425	210		-	2xø24-48mm	365	615	9,8

#### OTA200...400, OKA200...400

Size				Cable entry		Fixing dimensions		
H	W	D	E	X	Y	A	B	G
730	485	215		-	4xø28-68mm	425	710	9,8

#### OTA600, OKA600

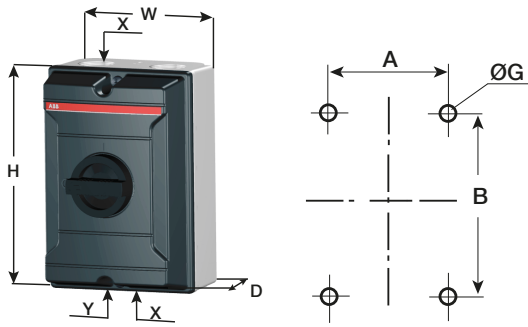
Size				Cable entry		Fixing dimensions		
H	W	D	E	X	Y	A	B	G
975	585	270		-	4xø28-68mm	525	840	9,8



## Dimension drawings

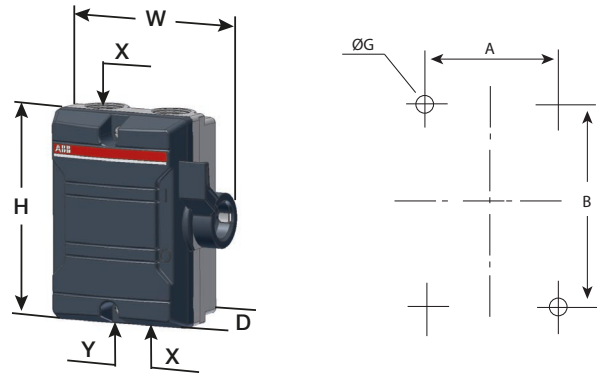
### Enclosure accessories

KSE363...3125, KSE463...480



Size			Cable entry		Fixing dimensions		
H	W	D	X	Y	A	B	G
230	160	145	2xM40	1xM16	124	5.3	9,8

LBAS\_16...LBAS\_25

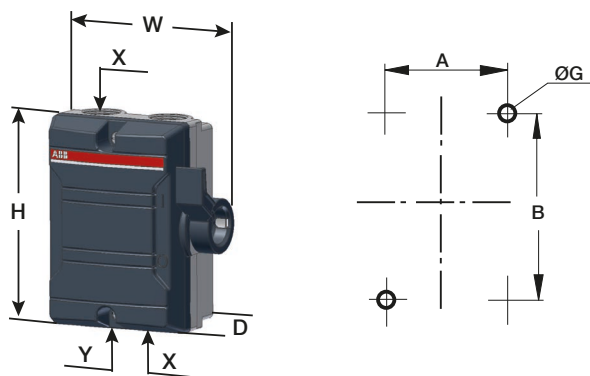


Size			Cable entry		Fixing dimensions		
H	W	D	X	Y	A	B	G
LBAS316_ LBAS416_							
111	130	60	2xM25	-	64	90	5
LBAS325_ LBAS425_							
138	168	68	2xM32	1xM16	90	127	5

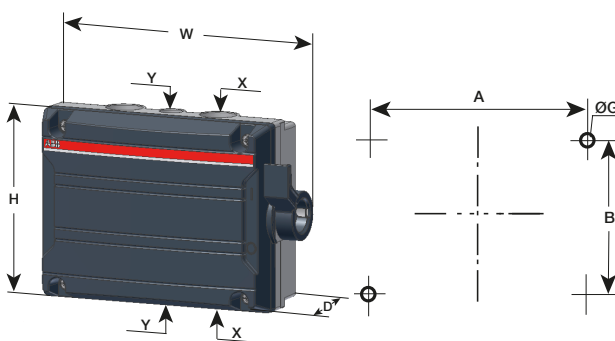
## Dimension drawings

### Plastic enclosed switch-disconnectors

BW 225...425, BW 240..440

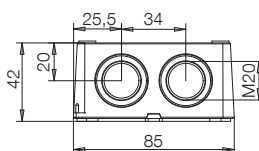


BW 625...640

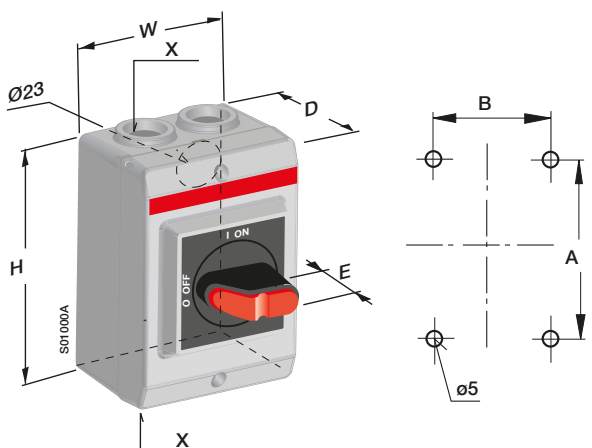


#### Side operated switch-disconnectors

Type	Size			Cable entry		Fixing dimensions		
	H	W	D	X	Y	A	B	G
<b>2-pole, plastic enclosed switch-disconnectors</b>								
BW 225 DP	130	111	60	2xM25	-	64	90	5
BW 225 W DP	130	111	60	2xM25	-	64	90	5
BW 240 DP	168	138	68	2xM32	1xM16	90	127	5
<b>3-pole, plastic enclosed switch-disconnectors</b>								
BW 325 W TPN	130	111	60	2xM25	-	64	90	5
BW 325 TPN	130	111	60	2xM25	-	64	90	5
BW 325 Y TPN	130	111	60	2xM25	-	64	90	5
BW 325 L TPN	130	111	62	2xM25	-	64	90	5
BW 325 K TPN	130	111	62	2xM25	-	64	90	5
BW 340 TPN	168	138	68	2xM32	1xM16	90	127	5
<b>4-pole, plastic enclosed switch-disconnectors</b>								
BW 425 TPSN	130	111	60	2xM25	-	64	90	5
BW 440 TPSN	168	138	68	2xM32	1xM16	90	127	5
<b>6-pole, plastic enclosed switch-disconnectors</b>								
BW 625 TPN	130	190	65	2xØ25	Ø16	124	90	5
BW 640 TPN	130	190	65	2xØ25	Ø16	124	90	5



OTP16B\_



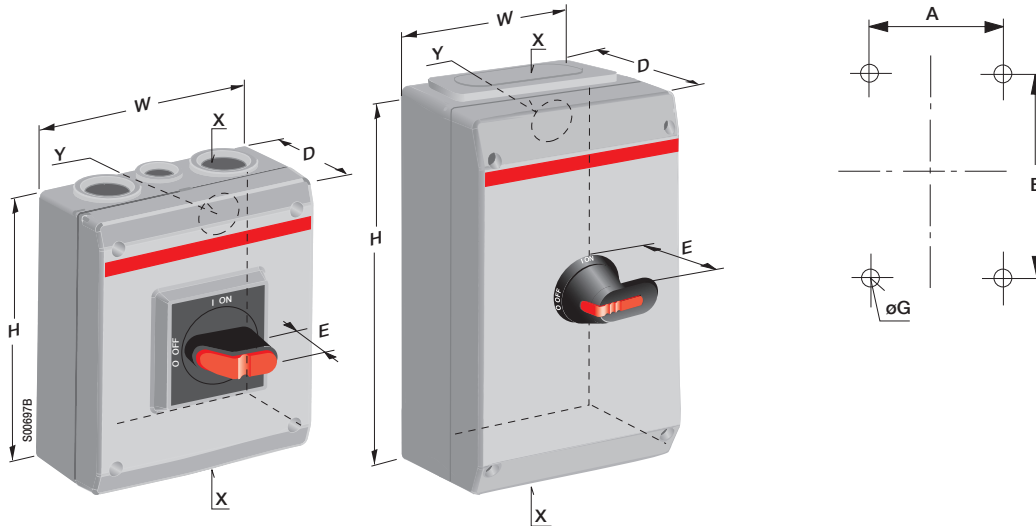
#### Front operated switch-disconnectors

Type	Size				Cable entry	Fixing dimensions	
	H	W	D	E	X	A	B
<b>3- and 4-pole</b>							
OTP16_3M	120	85	60	33	2xM20	105.5	70.5
OTP16_3M25	120	85	60	33	2xM25	105.5	70.5
OTP16_3U	120	85	60	33	-	105.5	70.5

## Dimension drawings

### Plastic enclosed switch-disconnectors

OTP16...125

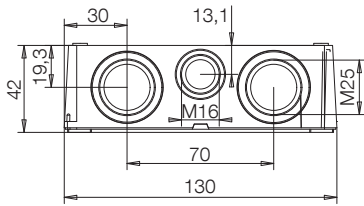


#### Front operated switch-disconnectors

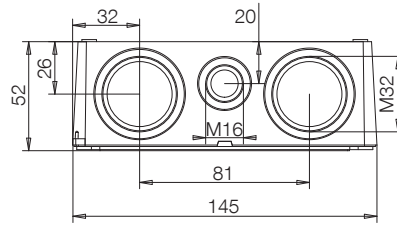
Type	Size			E	Cable entry		Fixing dimensions		
	H	W	D		X	Y	A	B	C
<b>3-pole</b>									
OTP 25...32_3M	150	130	60	33	2xM25+M16	2Xø29+ø19	115	136	5
OTP 25...32_3P	150	130	60	33	2XPg21+Pg11	2Xø29+ø19	115	136	5
OTP 45...63_3M	200	145	90	33	2xM32+M16	2Xø38+ø19	129.5	182.5	5
OTP 45...63_3P	200	145	90	33	2xPg29+Pg11	2Xø38+ø19	129.5	182.5	5
OTP80...125_3B	400	200	140	33	I-flange	Blank	176	376	6
OTP80...125_3U	400	200	140	33	Blank	Blank	176	376	6
OTP100...125_3M	400	200	140	33	2xM50+M16	Blank	176	376	6
<b>4-pole</b>									
OTP 16...32_4M	150	130	60	33	2xM25+M16	2Xø29+ø19	115	136	5
OTP 16...32_4P	150	130	60	33	2XPg21+Pg11	2Xø29+ø19	115	136	5
OTP 45...63_4M	200	145	90	33	2xM32+M16	2Xø38+ø19	129.5	182.5	5
OTP 45...63_4P	200	145	90	33	2xPg29+Pg11	2Xø38+ø19	129.5	182.5	5
OTP80...125_4B	400	200	140	33	I-flange	Blank	176	376	6
OTP80...125_4U	400	200	140	33	Blank	Blank	176	376	6
OTP100...125_4M	400	200	140	33	2xM50+M16	Blank	176	376	6
<b>6-pole</b>									
OTP 16...32_6M	150	130	85	33	2xM25+M16	2Xø29+ø19	115	136	5
OTP 16...32_6P	150	130	85	33	2XPg21+Pg11	2Xø29+ø19	115	136	5
OTP 45...63_6M	200	145	90	45	2xM32+M16	2Xø38+ø19	129.5	182.5	5
OTP 45...63_6P	200	145	90	45	2xPg29+Pg11	2Xø38+ø19	129.5	182.5	5
OTP80...125_6B	400	200	140	45	I-flange	Blank	176	376	6
OTP80...125_6U	400	200	140	45	Blank	Blank	176	376	6
OTP125_6M	400	200	140	45	2xM50+M16	Blank	176	376	6

## Dimension drawings

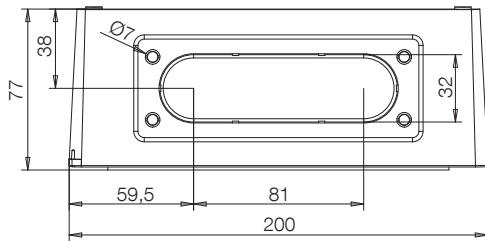
Cable entry for OT-type enclosures



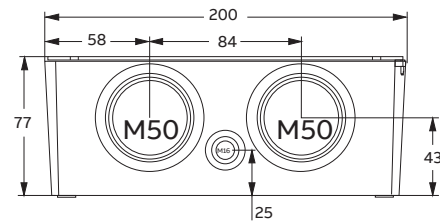
Type	X
OTP25...32_3M	2xM25+M16
OTP16...32_4M, 6M	2xM25+M16



Type	X
OTP45...63_3M, 4M, 6M	2xM32+M16



Type	X
OTP80...125_3B, 4B, 6B	1-flange

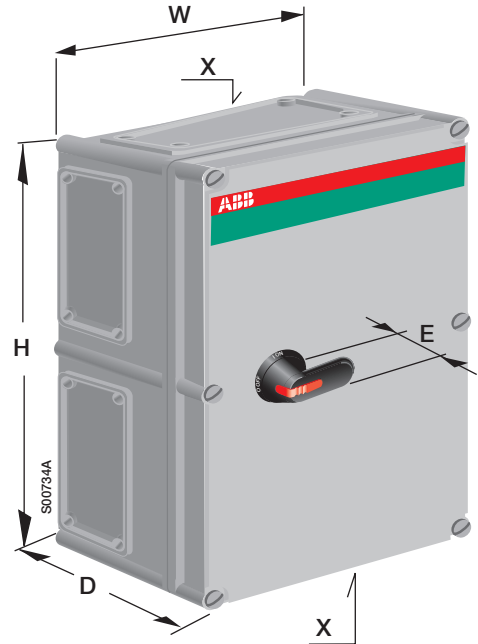
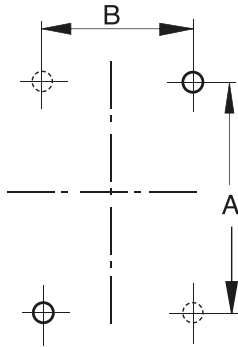


Type	X
OTE/P75...125_3M, 4M, 6M	2xM50+M16

## Dimension drawings

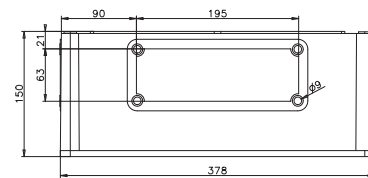
### Plastic enclosed switch-disconnectors and switch fuses

OT160...800, OS32...400



#### Front operated switch-disconnectors

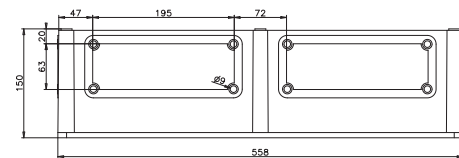
Type	Size				Cable entry	Fixing dimensions	
	H	W	D	E		A	B
<b>3- and 4-pole</b>							
OT160EFCC_B	380	280	130	45	II	355	255
OT200KFCC_B	560	280	180	45	II	535	255
OT250KFCC_B	560	280	180	45	II	535	255
OT315KFCC_B	560	380	180	45	II	535	355
OT400DFCC_B	840	380	180	45	II	815	355
OT630KFCC_B	840	380	180	45	II	815	355
OT800KFCC_B	840	380	180	45	II	815	355



#### Front operated switch fuses

Type	Size				Cable entry	Fixing dimensions	
	H	W	D	E		A	B
<b>3- and 4-pole</b>							
OS32GA2FCC3B	190	280	180	45	II	165	255
OS32GA2FCC4B	190	280	180	45	II	165	255
OS63GA3FCC3B	190	280	180	45	II	165	255
OS63GA3FCC4B	190	280	180	45	II	165	255
OS100GA4FCC3B	380	280	180	45	II	355	255
OS100GA4FCC4B	380	280	180	45	II	355	255
OS200BB2FCC3B	560	380	280	45	II	535	355
OS200BB2FCC4B	560	380	280	45	II	535	355
OS315BB3FCC3B	760	560	250	45	2 x II	735	535
OS400BB3FCC3B	760	560	250	45	2 x II	735	535
<b>6-pole</b>							
OS00-32A00FCC3B	190	280	180	45	II	165	255
OS00-32A00FCC4B	190	280	180	45	II	165	255
OS00-63A00FCC3B	190	280	180	45	II	165	255
OS00-63A00FCC4B	190	280	180	45	II	165	255
OS00A00FCC3B	380	280	180	45	II	355	255
OS00A00FCC4B	380	280	180	45	II	355	255
OS00-160A00FCC3B	560	380	180	45	II	535	355
OS00-160A00FCC4B	560	380	180	45	II	535	355
OS250D1FCC3B	560	380	280	45	II	535	355
OS250D1FCC4B	760	560	250	45	2 x II	735	535
OS400D2FCC3B	760	560	250	45	2 x II	735	535

Type	Cable entry
OT160...630	Flange II
OS32...200	Flange II
OS250, 3 pole	Flange II

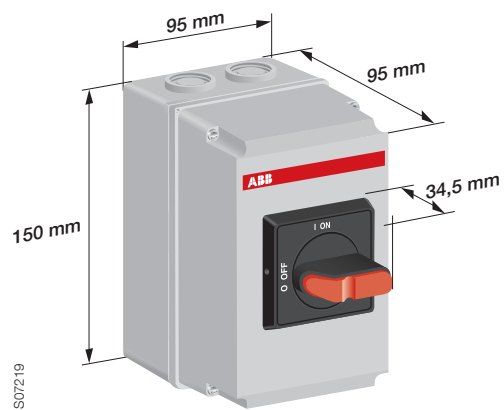


Type	Cable entry
OT800	Flange 2xII
OS250, 4 pole	Flange 2xII
OS315...400	Flange 2xII

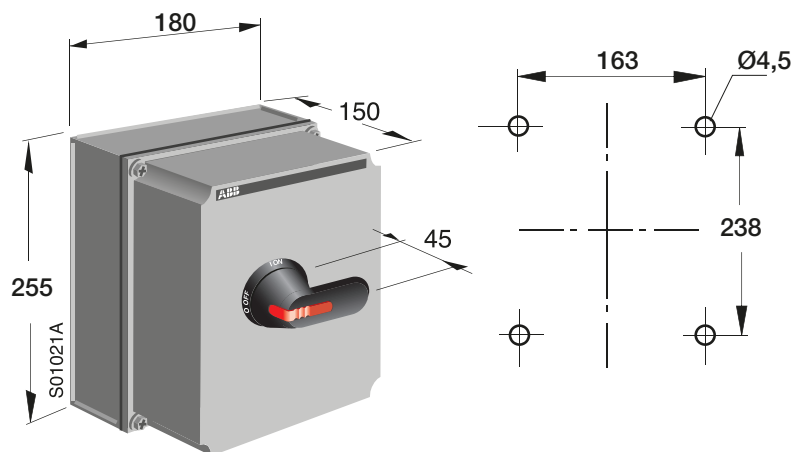
## Dimension drawings

Plastic enclosed DC-switch-disconnectors and switch fuses

OTDCP16...32, DC rated switch-disconnectors



OS20

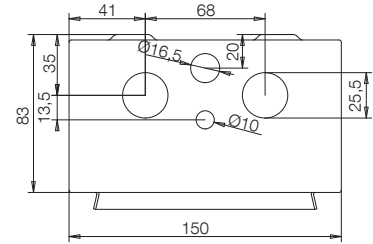
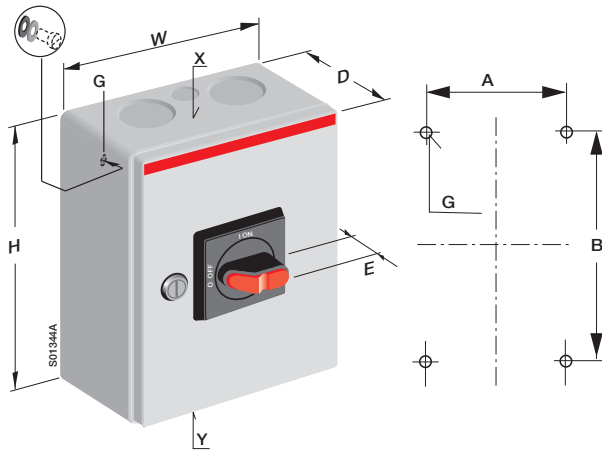


Type
OS20PA1FUU3B
OS20PA1FUU4B

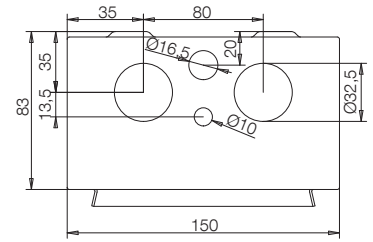
## Dimension drawings

Steel sheet / stainless steel sheet enclosed switch-disconnectors

OTL/OTR16...63



Type	Cable outlets
OTL/OTR16...32_3M, 4M, 6M	2xØ25.5+Ø16.5



Type	Cable outlets
OTL/OTR45...63_3M, 4M	2xØ32.5+Ø16.5

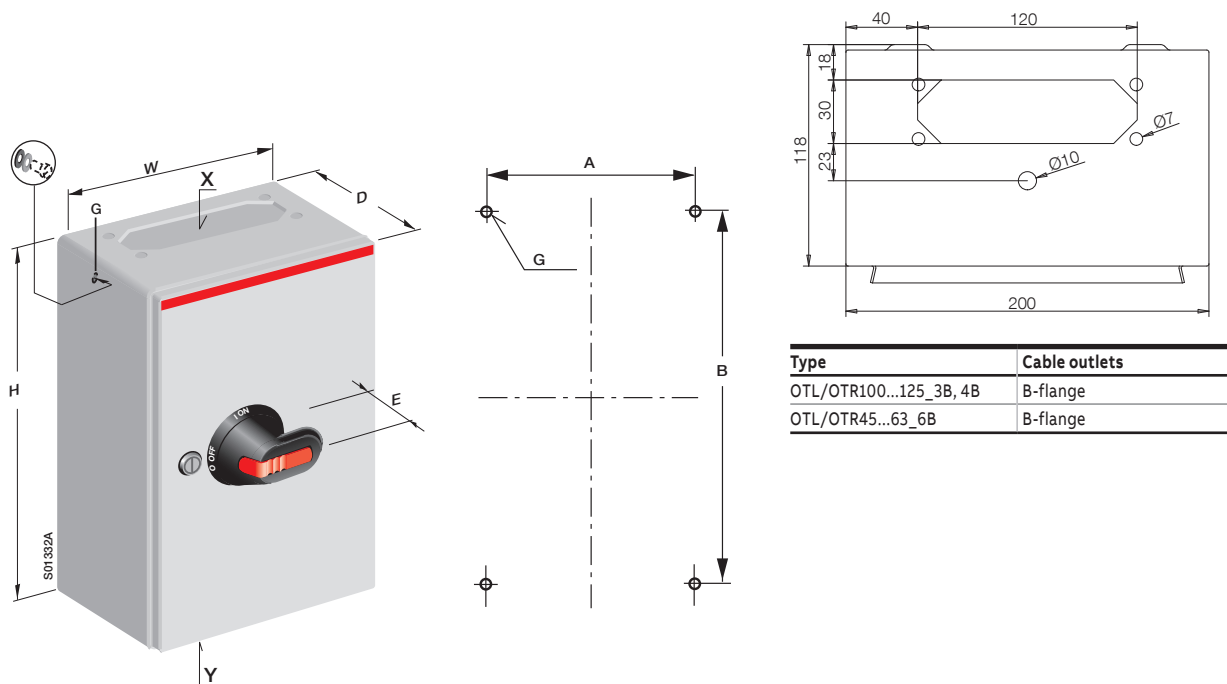
### Front operated switch-disconnectors

Type	Size				Cable entry		Fixing dimensions		
	H	W	D	E	X	Y	A	B	G
<b>3 pole</b>									
OTL/OTR16B_3M	200	150	100	33	2xØ25,5+Ø16,5	2xØ25,5+Ø16,5	80	130	6,6
OTL/OTR25B_3M	200	150	100	33	2xØ25,5+Ø16,5	2xØ25,5+Ø16,5	80	130	6,6
OTL/OTR32B_3M	200	150	100	33	2xØ25,5+Ø16,5	2xØ25,5+Ø16,5	80	130	6,6
OTL/OTR45B_3M	200	150	100	33	2xØ32,5+Ø16,5	2xØ32,5+Ø16,5	80	130	6,6
OTL/OTR63B_3M	200	150	100	33	2xØ32,5+Ø16,5	2xØ32,5+Ø16,5	80	130	6,6
<b>4 pole</b>									
OTL/OTR16B_4M	200	150	100	33	2xØ25,5+Ø16,5	2xØ25,5+Ø16,5	80	130	6,6
OTL/OTR25B_4M	200	150	100	33	2xØ25,5+Ø16,5	2xØ25,5+Ø16,5	80	130	6,6
OTL/OTR32B_4M	200	150	100	33	2xØ25,5+Ø16,5	2xØ25,5+Ø16,5	80	130	6,6
OTL/OTR45B_4M	200	150	100	33	2xØ32,5+Ø16,5	2xØ32,5+Ø16,5	80	130	6,6
OTL/OTR63B_4M	200	150	100	33	2xØ32,5+Ø16,5	2xØ32,5+Ø16,5	80	130	6,6
<b>6 pole</b>									
OTL/OTR16B_6M	200	150	100	33	2xØ25,5+Ø16,5	2xØ25,5+Ø16,5	80	130	6,6
OTL/OTR25B_6M	200	150	100	33	2xØ25,5+Ø16,5	2xØ25,5+Ø16,5	80	130	6,6
OTL/OTR32B_6M	200	150	100	33	2xØ25,5+Ø16,5	2xØ25,5+Ø16,5	80	130	6,6

## Dimension drawings

Steel sheet / stainless steel sheet enclosed switch-disconnectors

### OTL/OTR45...125



Type	Cable outlets
OTL/OTR100...125_3B, 4B	B-flange
OTL/OTR45...63_6B	B-flange

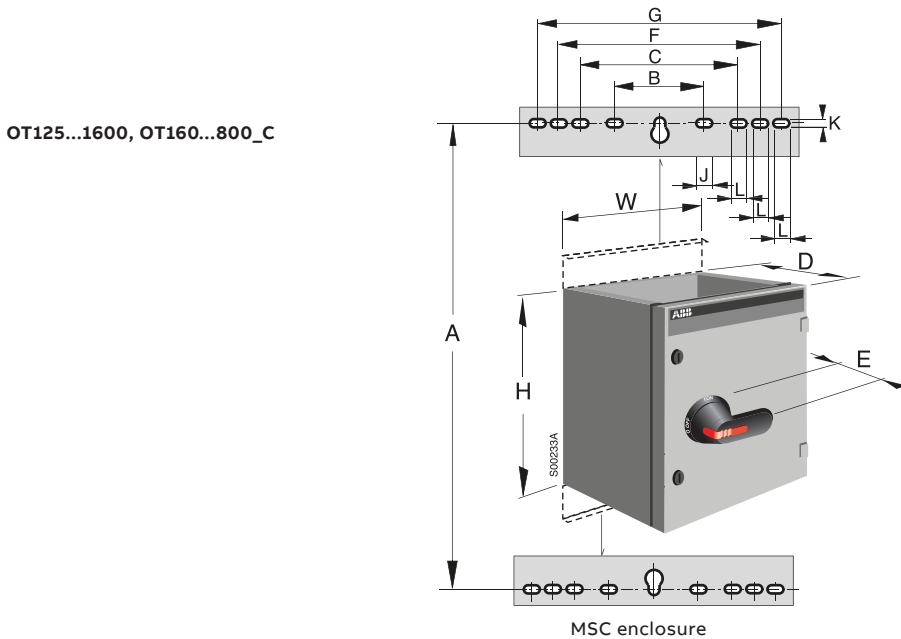
### Front operated switch-disconnectors

Type	Size				Cable entry		Fixing dimensions		
	H	W	D	E	X	Y	A	B	G
<b>3 pole</b>									
OTL/OTR100B_3B	300	200	135	45	B-flange	B-flange	130	230	6,5
OTL/OTR100B_3U	300	200	135	45	Blank	Blank	130	230	6,5
OTL/OTR125B_3B	300	200	135	45	B-flange	B-flange	130	230	6,5
OTL/OTR125B_3U	300	200	135	45	Blank	Blank	130	230	6,5
<b>4 pole</b>									
OTL/OTR100B_4B	300	200	135	45	B-flange	B-flange	130	230	6,5
OTL/OTR100B_4U	300	200	135	45	Blank	Blank	130	230	6,5
OTL/OTR125B_4B	300	200	135	45	B-flange	B-flange	130	230	6,5
OTL/OTR125B_4U	300	200	135	45	Blank	Blank	130	230	6,5
<b>6 pole</b>									
OTL/OTR45B_6B	300	200	135	45	B-flange	B-flange	130	230	6,5
OTL/OTR45B_6U	300	200	135	45	Blank	Blank	130	230	6,5
OTL/OTR63B_6B	300	200	135	45	B-flange	B-flange	130	230	6,5
OTL/OTR63B_6U	300	200	135	45	Blank	Blank	130	230	6,5



## Dimension drawings

Steel sheet enclosed switch-disconnectors and change-over switches



### Front operated switch-disconnectors

Type	Size				Fixing dimensions						Fixing holes		
	H	W	D	E	A	B	C	F	G	J	K	L	
<b>3- and 4-pole, switch-disconnectors</b>													
OT125AL_	400	250	180	45	445	162	-	-	-	27	11	-	
OT160EL_	600	250	180	45	445	162	-	-	-	27	11	-	
OT200KL_	600	400	230	45	645	303	-	-	-	35	11	-	
OT250KL_	600	400	230	45	645	303	-	-	-	35	11	-	
OT315KL_	600	400	230	45	645	303	-	-	-	35	11	-	
OT400DL_	800	400	230	45	845	303	-	-	-	35	11	-	
OT630KL_	1000	400	230	45	1045	303	-	-	-	35	11	-	
OT800KL_	1000	400	230	45	1045	303	-	-	-	35	11	-	
OT1000KL_	1200	800	230	45	1045	303	512	612	712	35	11	27	
OT1250KL_	1200	800	330	45	1045	303	512	612	712	35	11	27	
OT1600KL_	1200	800	330	45	1045	303	512	612	712	35	11	27	
<b>6-pole, switch-disconnectors</b>													
OT125AL_	400	400	230	45	445	303	-	-	-	35	11	-	
OT160EL_	400	400	230	45	445	303	-	-	-	35	11	-	
OT200KL_	600	800	230	45	645	303	-	-	-	35	11	-	
OT250KL_	800	800	230	45	845	303	-	-	-	35	11	-	
OT315KL_	800	800	230	45	845	303	-	-	-	35	11	-	
OT400DL_	800	800	230	45	845	303	-	-	-	35	11	-	
OT630KL_	1000	800	230	45	1045	303	512	612	712	35	11	27	
OT800KL_	1000	800	230	45	1045	303	512	612	712	35	11	27	

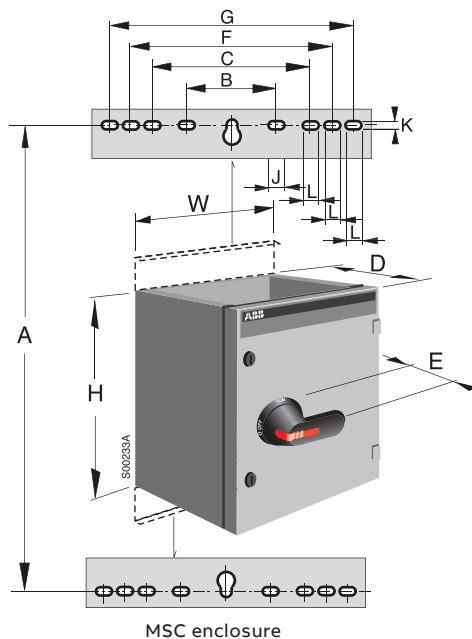
### Front operated change-over switches

Type	Size				Fixing dimensions						Fixing holes		
	H	W	D	E	A	B	C	F	G	J	K	L	
OT160KL_C	600	400	230	45	645	303	-	-	-	35	11	-	
OT200KL_C	600	400	230	45	645	303	-	-	-	35	11	-	
OT250KL_C	600	400	230	45	845	303	-	-	-	35	11	27	
OT315KL_C	800	400	330	45	845	303	-	-	-	35	11	27	
OT400DL_C	800	400	330	45	845	303	-	-	-	35	11	27	
OT630KL_C	1000	800	330	45	1045	303	512	612	712	35	11	27	
OT800KL_C	1000	800	330	45	1045	303	512	612	712	35	11	27	

## Dimension drawings

### Steel sheet enclosed switch fuses

OS20...800



#### Front operated switch fuses

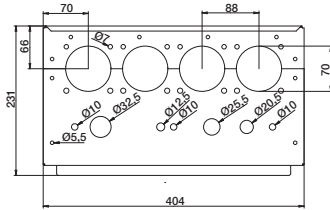
Type BS-type	Size				Fixing dimensions					Fixing holes		
	H	W	D	E	A	B	C	F	G	J	K	L
<b>2-, 3-, and 4-pole</b>												
OS20PA1LUU_	400	250	180	45	445	162	-	-	-	27	11	-
OS32GBA3LUU2FZ	400	250	180	45	445	162	-	-	-	27	11	-
OS63GBA4LUU2FZ	400	250	180	45	445	162	-	-	-	27	11	-
OS100GBA4LUU2FZ	600	400	230	45	645	303	-	-	-	35	11	-
OS125GBA4LUU2FZ	600	400	230	45	645	303	-	-	-	35	11	-
OS160GBA4LUU2FZ	600	400	230	45	645	303	-	-	-	35	11	-
OS200BB2LUU_	600	400	330	45	645	303	-	-	-	35	11	-
OS315BB3LUU_	800	400	330	45	845	303	-	-	-	35	11	-
OS400BB4LUU_	800	400	330	45	845	303	-	-	-	35	11	-
OS630BC2LUU2FZ	1000	400	330	45	1045	303	-	-	-	35	11	-
OS630BC2LUU3FZ	1000	800	330	45	1045	303	512	612	712	35	11	27
OS630BC2LUU4FZ	1000	800	330	45	1045	303	512	612	712	35	11	27
OS800BC2LUU2FZ	1000	400	330	45	1045	303	-	-	-	35	11	-
OS800BC2LUU3FZ	1000	800	330	45	1045	303	512	612	712	35	11	27
OS800BC2LUU4FZ	1000	800	330	45	1045	303	512	612	712	35	11	27

Type DIN-type	Size				Fixing dimensions					Fixing holes		
	H	W	D	E	A	B	C	F	G	J	K	L
<b>2-, 3-, and 4-pole</b>												
OS32GD000LUU2BZ	400	250	180	45	445	162	-	-	-	27	11	-
OS63GD000LUU2BZ	400	250	180	45	445	162	-	-	-	27	11	-
OS125GD000LUU2BZ	600	400	230	45	645	303	-	-	-	35	11	-
OS160GD000LUU2BZ	600	400	230	45	645	303	-	-	-	35	11	-
OS200D0LRR2SZ	600	400	330	45	645	303	-	-	-	35	11	-
OS250D1LUU2BZ	800	400	330	45	845	303	-	-	-	35	11	-
OS250D1LAA_	800	400	330	45	845	303	-	-	-	35	11	-
OS400D2LAA_	800	400	330	45	845	303	-	-	-	35	11	-
OS630D3LAA3B_	1000	800	330	45	1045	303	512	612	712	35	11	27
OS630D3LAA4B_	1000	800	330	45	1045	303	512	612	712	35	11	27
OS800D3LAA_	1000	800	330	45	1045	303	512	612	712	35	11	27

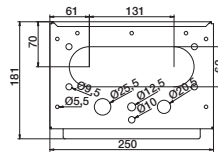
# Dimension drawings

## Steel sheet enclosed safety switches

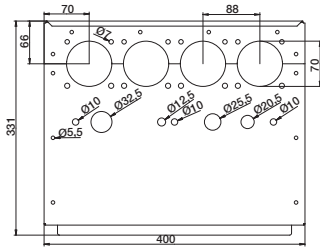
OT125...1600, OT160...800\_C and OS20...800\_, cable entries



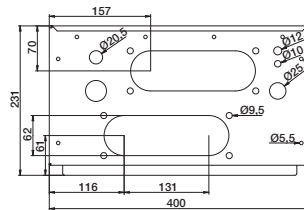
**OEZXP24R**



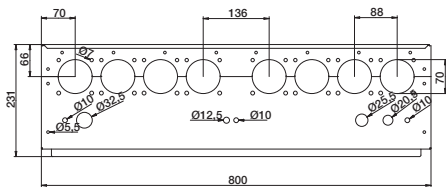
**OEZXP120C**



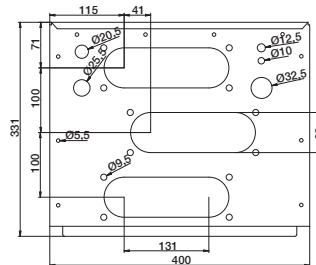
**OEZXP34R**



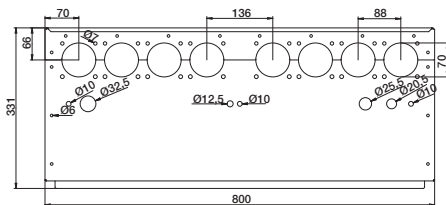
**OEZXP240C**



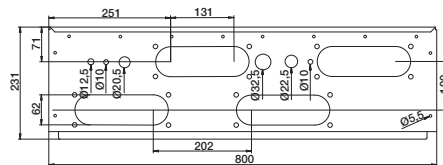
**OEZXP28R**



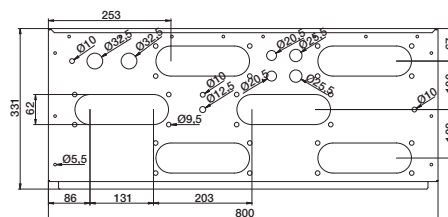
**OEZXP340C**



**OEZXP38R**



**OEZXP280C**

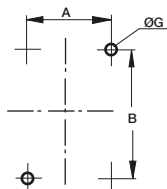
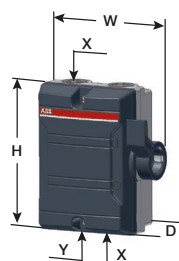


**OEZXP380C**

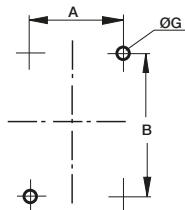
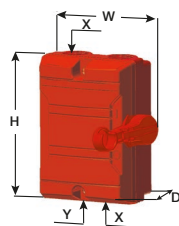
## Dimension drawings

### Aluminum enclosed switch-disconnectors

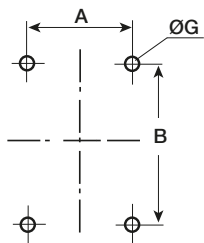
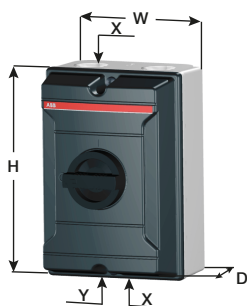
KSE225...440



KSF325...440



KSE263...4100



#### Side operated switch-disconnectors

Type	Size			Cable entry		Fixing dimensions		
	H	W	D	X	Y	A	B	C
<b>2 pole-Aluminum enclosed switch-disconnectors</b>								
KSE225DP	130	111	60	2xM25	-	64	90	5
KSE240DP	168	138	68	2xM25	1xM16	90	127	5
<b>3 pole-Aluminum enclosed switch-disconnectors</b>								
KSE325TPN	130	111	60	2xM25	-	64	90	5
KSE340TPN	168	138	68	2xM32	1xM16	90	127	5
<b>4 pole-Aluminum enclosed switch-disconnectors</b>								
KSE425TPSN	130	111	60	2xM25	-	64	90	5
KSE440TPSN	168	138	68	2xM32	1xM16	90	127	5

#### Fireman's switches

Type	Size			Cable entry		Fixing dimensions		
	H	W	D	X	Y	A	B	C
<b>2 pole-Fireman switch, side operated in Aluminum</b>								
KSF225DP	168	138	68	2xM25	-	64	90	5
<b>3 pole-Fireman switch, side operated in Aluminum</b>								
KSF325TPN	130	111	60	2xM25	-	64	90	5
KSF325TPNNO	130	111	60	2xM25	-	64	90	5
KSF340TPN	168	138	68	2xM32	1xM16	90	127	5
<b>4 pole-Fireman switch, side operated in Aluminum</b>								
KSF425TPSN	130	111	60	2xM25	-	64	90	5
KSF440TPSN	168	138	68	2xM32	1xM16	90	127	5

#### Front operated switch-disconnectors

Type	Size			Cable entry		Fixing dimensions		
	H	W	D	X	Y	A	B	C
<b>3 pole-Enclosed switch-disconnector, front operated in Aluminum</b>								
KSE363 - 3125	230	160	145	2xM40	1xM16	124	190	53
<b>4 pole-Enclosed switch-disconnector, front operated in Aluminum</b>								
KSE463 - 480	230	160	145	2xM40	1xM16	124	190	53





## Index

Type	Order code	Page
BFLP13/2	1SCA159206R1001	153
BFLR13	1SCA159207R1001	153
BFLR13116225	1SCA159208R1001	153
BFLR13116240	1SCA159209R1001	153
BFLR13125	1SCA159210R1001	153
BFLR13132	1SCA159211R1001	153
BFLR13140	1SCA159212R1001	153
BFLR13225	1SCA159213R1001	153
BFLR13232	1SCA159214R1001	153
BFLR13240	1SCA159215R1001	153
BFLRP13	1SCA159216R1001	153
BFLRP13116225	1SCA159217R1001	153
BFLRP13125	1SCA159218R1001	153
BFLRP13132	1SCA159219R1001	153
BFLRP13225	1SCA159220R1001	153
BFLRP13232	1SCA159221R1001	153
BW225DP	2CMA142400R1000	88
BW225WDP	2CMA142401R1000	88
BW240DP	2CMA142407R1000	88
BW240WDP	2CMA100851R1000	88
BW316TPN	2CMA142447R1000	89
BW325KTPN	2CMA142443R1000	89
BW325LTPN	2CMA142404R1000	89
BW325TPN	2CMA142403R1000	89
BW325WTPN	2CMA142402R1000	89
BW325YTPN	2CMA142441R1000	96
BW340TPN	2CMA142408R1000	89
BW340WTPN	2CMA100852R1000	89
BW340YTPN	2CMA142445R1000	96
BW425TPSN	2CMA142405R1000	90
BW425WTPSN	2CMA100850R1000	90
BW425YTPN	2CMA142444R1000	96
BW440TPSN	2CMA142409R1000	90
BW440WTPSN	2CMA100853R1000	90
BW440YTPN	2CMA142446R1000	96
BW625TPN	2CMA142406R1000	90
BW640TPN	2CMA142410R1000	90
BWS316FTPN	2CMA142440R1000	28
BWS316TPN	2CMA142417R1000	28
BWS316YTPN	2CMA142423R1000	28
BWS325TPN	2CMA142420R1000	28
BWS325YTPN	2CMA142426R1000	28
BWS416TPSN	2CMA142418R1000	28
BWS416YTPSN	2CMA142424R1000	28
BWS425TPSN	2CMA142421R1000	28
BWS425YTPSN	2CMA142427R1000	28
BWS616TPN	2CMA142419R1000	28
BWS616YTPN	2CMA142425R1000	28
BWS625TPN	2CMA142422R1000	28
BWS625YTPN	2CMA142428R1000	28
D43585	1SCA142306R1001	160
EADR12	1SCA114804R1001	160
EADR16	1SCA022749R6410	160
EADR20	1SCA022749R6500	160

Type	Order code	Page
EADR25	1SCA022749R6680	160
EADR32	1SCA101165R1001	160
EADR40	1SCA116849R1001	160
EADR50	1SCA104353R1001	160
EMCM16SET	1SCA022713R4000	162
EMCM20SET	1SCA022713R3610	162
EMCM25/M32SET	1SCA022722R3790	162
EMCM25SET	1SCA022713R3700	162
EMCM32SET	1SCA022713R3960	162
EMCM40SET	1SCA022734R5040	162
EMCM50SET	1SCA114252R1001	162
EMCM75SET	1SCA114254R1001	162
EMCM85SET	1SCA022727R1760	162
EMMU12	1SCA022722R1910	157
EMMU16	1SCA022722R2040	157
EMMU20	1SCA022722R2120	157
EMMU25	1SCA022722R2210	157
EMMU32	1SCA022722R2390	157
EMMU40	1SCA022722R2470	157
EMMU50	1SCA022722R2550	157
EMMU63	1SCA022722R2630	157
EMSKE16	1SCA157031R1001	159
EMSKE20	1SCA157032R1001	159
EMSKE25	1SCA157033R1001	159
EMSKE32	1SCA157034R1001	159
EMSKE40	1SCA157035R1001	159
EMSKV12/5	1SCA022722R2710	157
EMSKV16/5	1SCA022722R2800	157
EMSKV20/6	1SCA022722R2980	157
EMSKV25/7	1SCA022722R3010	157
EMSKV32/8	1SCA022722R3100	157
EMSKV40/8	1SCA022722R3280	157
EMSKV50/9	1SCA022722R3360	157
EMSKV63/10	1SCA022722R3440	157
EMUG12	1SCA022715R8280	157
EMUG16	1SCA022715R8360	157
EMUG20	1SCA022715R8440	157
EMUG25	1SCA022715R8520	157
EMUG32	1SCA022715R8610	157
EMUG40	1SCA022715R8790	157
EMUG50	1SCA022715R8870	157
EMUG63	1SCA022715R8950	157
EPN550M50/M32	1SCA114803R1001	160
EPN550M50/M40	1SCA104355R1001	160
EPN650M16/M20	1SCA103053R1001	160
EPN650M25/M32	1SCA101159R1001	160
EPN650M32/M40	1SCA101160R1001	160
EPN720M20/M12	1SCA114806R1001	160
EPN720M20/M16	1SCA114807R1001	160
EPN720M25/M16	1SCA122555R1001	160
EPN720M25/M20	1SCA109748R1001	160
EPN720M32/M20	1SCA109749R1001	160
EPN720M40/M25	1SCA114808R1001	160
EPN740M25/M32	1SCA151188R1001	160

## Index

Type	Order code	Page
EPN740M32/M40	1SCA114810R1001	160
EPN740M40/M50	1SCA150900R1001	160
ESKV12	1SCA022715R5850	157
ESKV16	1SCA022715R5930	157
ESKV20	1SCA022715R6070	157
ESKV25	1SCA022715R6150	157
ESKV32	1SCA022715R6230	157
ESKV40	1SCA022715R6310	157
ESKV50	1SCA022715R6400	157
ESKV63	1SCA022715R6580	157
ESSKV-416	1SCA128106R	158
ESSKV-425	1SCA125033R	158
ESSKV-432	1SCA128107R	158
EXM16G	1SCA152891R1001	159
EXM20G	1SCA152892R1001	159
EXM25G	1SCA152894R1001	159
EXM32G	1SCA152896R1001	159
EXM40G	1SCA152899R1001	159
EXN03MMC6	7TCA297180R0798	162
EXN04MMC6	7TCA297180R0799	162
EXN05MMC6	7TCA297180R0800	162
EXN06MMC6	7TCA297180R0801	162
EXN07MMC6	7TCA297180R0802	162
EXN08MMC6	7TCA297180R0803	162
FGNSUM6X	1SCA010234R6620	156
KEM50/63	1SCA114809R1001	160
KIG-1	1SCA022468R1540	153
KIG-2	1SCA022468R1620	153
KIG-221-1	1SCA022468R0900	153
KIG-221-2	1SCA022468R1030	153
KIM13-1*	1SEH655267R2050	153
KIM13-2*	1SEH655267R2060	153
KOT61007	1SCA101607R1001	156
KOT61008	1SCA101606R1001	156
KOT62280	1SCA125779R1001	161
KOT62281	1SCA125780R1001	161
KOT62282	1SCA125777R1001	161
KOT62283	1SCA125776R1001	161
KOT62284	1SCA125815R1001	161
KOT62293	1SCA125816R1001	161
KOT62296	1SCA125871R1001	156
KOT62305	1SCA125902R1001	161
KOT62306	1SCA125903R1001	161
KOT62307	1SCA125905R1001	161
KRM16/12	1SCA022749R6090	160
KRM20/12	1SCA022749R6170	160
KRM25/12	1SCA022749R6980	160
KSE225DP	2CMA142411R1000	119
KSE240DP	2CMA142414R1000	119
KSE263DP	2CMA144587R1000	119
KSE3100TPN	2CMA144585R1000	120
KSE3125TPN	2CMA144588R1000	120
KSE325TPN	2CMA142412R1000	119
KSE340TPN	2CMA142415R1000	119

Type	Order code	Page
KSE363D/TPN	2CMA144581R1000	120
KSE363TPN	2CMA144580R1000	120
KSE380TPN	2CMA144583R1000	120
KSE425TPSN	2CMA142413R1000	119
KSE440TPSN	2CMA142416R1000	119
KSE463TPSN	2CMA144582R1000	121
KSE480TPSN	2CMA144584R1000	121
KSF225DP	2CMA142435R1000	123
KSF325TPN	2CMA142436R1000	123
KSF325TPNNO	2CMA142442R1000	123
KSF340TPN	2CMA142438R1000	123
KSF425TPSN	2CMA142437R1000	123
KSF440TPSN	2CMA142439R1000	123
L6	2CMA144539R1000	156
LAKI/2X35	1SCA100722R1001	155
LAKI/35	1SCA100721R1001	155
LAKII/2X48	1SCA100698R1001	155
LAKII/2X58	1SCA100700R1001	155
LAKII/48	1SCA100697R1001	155
LAKII/58	1SCA100699R1001	155
LBAS316TPN	2CMA142430R1000	62
LBAS325TPN	2CMA142432R1000	62
LBAS345TPN	2CMA142627R1000	59
LBAS375TPN	2CMA142628R1000	59
LBAS390TPN	2CMA142629R1000	59
LBAS416TPSN	2CMA142431R1000	62
LBAS425TPSN	2CMA142433R1000	62
LBAS445TPSN	2CMA142630R1000	61
LBAS475TPSN	2CMA142631R1000	61
LBAS490TPSN	2CMA142632R1000	61
OA1G01	1SCA022353R4890	143, 144
OA1G10	1SCA022353R4970	143, 144
OA1G10AU	1SCA022436R7910	144
OA2G11	1SCA022379R8100	143, 144
OA3G01	1SCA022456R7410	143, 144
OA3G01AU	1SCA022819R5260	144
OA7G10	1SCA022673R1140	143
OBEA01	2CMA144520R1000	144
OBEA01	1SCA022190R3260	143, 144
OBEA10	2CMA144519R1000	144
OBEA10	1SCA022190R3000	143, 144
OESAZX162	1SCA022193R0400	152
OESAZX164	1SCA022202R9520	152
OESAZX165	1SCA022202R9790	152
OEZXC0	1SCA022277R6420	153
OEZXC11L	1SCA022560R5570	156
OEZXC12L	1SCA022560R5730	156
OEZXC1R	1SCA022281R3560	154
OEZXC2R	1SCA022281R3720	154
OEZXP120	1SCA022277R2350	149
OEZXP120C	1SCA022338R5360	149
OEZXP240C	1SCA022338R5520	149
OEZXP280C	1SCA022338R5950	149
OEZXP340C	1SCA022338R5790	149



## Index

Type	Order code	Page
OEZXP380C	1SCA022338R6170	149
OEZXPE240	1SCA022399R0040	149
OEZXPE24R	1SCA022399R0470	149
OEZXPE280	1SCA022399R0210	149
OEZXPE28R	1SCA022399R0630	149
OEZXPE340	1SCA022399R0120	149
OEZXPE34R	1SCA022399R0550	149
OEZXPE380	1SCA022399R0390	149
OEZXPE38R	1SCA022399R0710	149
OEZXP120	1SCA022646R2730	161
OEZXP240	1SCA022646R3110	161
OEZXP280	1SCA022646R3200	161
OEZXP380	1SCA022647R3510	161
OEZXR020	1SCA022656R8130	161
OEZXR023	1SCA022277R5290	161
OEZXR025	1SCA022656R8210	161
OEZXR037	1SCA022277R5450	161
OEZXR040	1SCA022656R8300	161
OEZXR134	1SCA022277R5610	150
OEZXR143	1SCA022277R5880	150
OEZXR150	1SCA022277R6000	150
OEZXR158	1SCA022277R6260	150
OEZXRE020	1SCA022656R8480	150
OEZXRE023	1SCA022399R0800	150
OEZXRE025	1SCA022656R8560	150
OEZXRE037	1SCA022399R0980	150
OEZXRE040	1SCA022656R8640	150
OEZXRE134	1SCA022399R1010	150
OEZXRE143	1SCA022399R1100	150
OEZXRE150	1SCA022399R1280	150
OEZXRE158	1SCA022399R1360	150
OEZXX143R	1SCA022350R3820	150, 161
OEZXX158R	1SCA022350R3910	150, 161
OEZXX2	1SCA022281R5340	149
OEZXX28	1SCA100701R1001	154
OEZXX29	1SCA100723R1001	154
OHB125J12	1SCA022381R1560	140, 141
OHB125J12E011	1SCA022589R3340	141
OHB145J12	1SCA022381R2110	140, 141
OHB175J12	1SCA022381R2450	140
OHB274J12	1SCA115920R1001	140, 141
OHB45J6	1SCA022380R8770	140, 141
OHB45J6E011	1SCA022594R7110	141
OHB65J6	1SCA022380R9660	140, 141
OHB65J6E011	1SCA022383R2480	141
OHB95J12	1SCA022381R0830	140, 141
OHB95J12E011	1SCA022621R0760	141
OHBS2AJ	1SCA022347R4030	140
OHBS2AJEH	1SCA108230R1001	142
OHM125L12	1SCA022739R1150	142
OHM175L12	1SCA022739R1230	142
OHM65L6	1SCA022739R1070	142
OHY125J12	1SCA022381R1720	140
OHY145J12	1SCA022381R2370	140

Type	Order code	Page
OHY175J12	1SCA022381R2700	140
OHY274J12	1SCA115919R1001	140
OHY45J6	1SCA022380R8930	140, 141
OHY65J6	1SCA022380R9820	140, 141
OHY95J12	1SCA022381R1050	140, 141
OHYS2AJ	1SCA022353R2840	140
OHZX12	1SCA022836R7650	142
OHZX13	1SCA022841R5480	142
OKA125P3B	1SCA142607R1001	122
OKA160P3B	1SCA142608R1001	122
OKA1653G	1SCA142683R1001	120
OKA1654G	1SCA142684R1001	121
OKA200P3B	1SCA142609R1001	122
OKA250P3B	1SCA142610R1001	122
OKA25S3G	1SCA142685R1001	120
OKA25S4G	1SCA142686R1001	121
OKA315P3B	1SCA142611R1001	123
OKA400P3B	1SCA142612R1001	122
OKA40S3G	1SCA142687R1001	120
OKA40S4G	1SCA142688R1001	121
OKA600P3B	1SCA144286R1001	122
OKA63S3G	1SCA142689R1001	120
OKA63S4G	1SCA142690R1001	121
ONE20M2G	1SCA135532R1001	91
ONE20M2W	1SCA138456R1001	91
ONE20M2Y	1SCA135533R1001	91
ONE20M3G	1SCA135535R1001	91
ONE20M3W	1SCA138457R1001	91
ONE20M3Y	1SCA135536R1001	91
ONE20M4G	1SCA135538R1001	91
ONE20M4W	1SCA138459R1001	91
ONE20M4Y	1SCA135540R1001	91
OS100GBA4FCC3B	1SCA132550R1001	127
OS100GBA4FCC4B	1SCA132551R1001	128
OS100GBA4LUU2FZ	1SCA136811R1001	130
OS100GBA4LUU3FZ	1SCA132593R1001	130
OS100GBA4LUU4FZ	1SCA134529R1001	131
OS125GBA4FCC3B	1SCA134503R1001	127
OS125GBA4FCC4B	1SCA134507R1001	128
OS125GBA4LUU2FZ	1SCA136812R1001	130
OS125GBA4LUU3FZ	1SCA134526R1001	130
OS125GBA4LUU4FZ	1SCA134528R1001	131
OS125GD00FCC3B	1SCA134497R1001	129
OS125GD00FCC4B	1SCA134500R1001	129
OS125GD00LAA3BZ	1SCA134522R1001	133
OS125GD00LAA4BZ	1SCA134523R1001	134
OS125GD00LCC4BZ	1SCA134974R1001	134
OS160GBA4FCC3B	1SCA134504R1001	127
OS160GBA4FCC4B	1SCA134509R1001	128
OS160GBA4LUU2FZ	1SCA136813R1001	130
OS160GBA4LUU3FZ	1SCA134525R1001	130
OS160GBA4LUU4FZ	1SCA134527R1001	131
OS160GD00FCC3B	1SCA134496R1001	129
OS160GD00FCC4B	1SCA134501R1001	129

## Index

Type	Order code	Page
OS160GD00LAA3BZ	1SCA134061R1001	133
OS160GD00LAA4BZ	1SCA134524R1001	134
OS160GD00LCC3BZ	1SCA134060R1001	134
OS160GD00LUU3BZ	1SCA141673R1001	133
OS200BB2FCC3B	1SCA022280R9110	127
OS200BB2FCC4B	1SCA022280R9700	128
OS200BB2LUU2FZ	1SCA022320R8310	130
OS200BB2LUU3FZ	1SCA022320R9630	130
OS200BB2LUU4FZ	1SCA022320R6530	131
OS20PA1FUU3B	1SCA022280R9290	127
OS20PA1FUU4B	1SCA022280R9880	128
OS20PA1LUU3FZ	1SCA022320R8400	130
OS20PA1LUU4FZ	1SCA022321R0640	131
OS250D1AUR2SZ	1SCA127915R1001	132
OS250D1FCC3B	1SCA022315R3070	129
OS250D1FCC4B	1SCA022315R3230	129
OS250D1LAA3BZ	1SCA022325R4180	133
OS250D1LAA4BZ	1SCA022320R7000	135
OS250D1LCC3BZ	1SCA110108R1001	134
OS250D1LRR2SZ	1SCA127914R1001	133
OS250D1LUR3BZ	1SCA022611R2080	133
OS250D1LUU3BZ	1SCA141674R1001	133
OS315BB3FCC3B	1SCA022281R0380	127
OS315BB3LUU2FZ	1SCA022320R8580	130
OS315BB3LUU3FZ	1SCA022320R9800	130
OS315BB3LUU4FZ	1SCA022320R6700	131
OS32GBA3FCC2B	1SCA134070R1001	127
OS32GBA3FCC3B	1SCA134506R1001	127
OS32GBA3FCC4B	1SCA134506R1001	128
OS32GBA3LUU2FZ	1SCA133885R1001	130
OS32GBA3LUU3FZ	1SCA136805R1001	130
OS32GBA3LUU4FZ	1SCA136807R1001	131
OS32GD000FCC3B	1SCA132447R1001	129
OS32GD000FCC4B	1SCA134498R1001	129
OS32GD000LAA3BZ	1SCA136800R1001	133
OS32GD000LAA4BZ	1SCA136803R1001	134
OS400BB4FCC3B	1SCA022302R6630	127
OS400BB4LUU2FZ	1SCA022320R8740	130
OS400BB4LUU3FZ	1SCA022321R0050	130
OS400BB4LUU4FZ	1SCA022320R6960	131
OS400D2AUR2SZ	1SCA127918R1001	132
OS400D2FCC3B	1SCA022315R3400	129
OS400D2FCC4B	1SCA022628R6070	129
OS400D2LAA3BZ	1SCA022325R4340	133
OS400D2LAA4BZ	1SCA022320R7420	134
OS400D2LCC3BZ	1SCA110109R1001	133
OS400D2LRR2SZ	1SCA127917R1001	132
OS400D2LUU3BZ	1SCA141675R1001	133
OS630BC2LUU2FZ	1SCA022320R8910	130
OS630BC2LUU3FZ	1SCA022321R0210	130
OS630BC2LUU4FZ	1SCA022320R7180	131
OS630D3AUR2SZ	1SCA127934R1001	132
OS630D3LAA3BZ	1SCA022325R4770	133
OS630D3LAA4BZ	1SCA022320R7850	134

Type	Order code	Page
OS630D3LRR2SZ	1SCA127933R1001	132
OS630D3LUU3BZ	1SCA141676R1001	133
OS63GBA3FCC2B	1SCA133822R1001	127
OS63GBA3FCC3B	1SCA132754R1001	127
OS63GBA3FCC4B	1SCA132768R1001	128
OS63GBA3LUU2FZ	1SCA133884R1001	130
OS63GBA3LUU3FZ	1SCA136809R1001	131
OS63GBA3LUU4FZ	1SCA136810R1001	131
OS63GD000FCC3B	1SCA134494R1001	129
OS63GD000FCC4B	1SCA134499R1001	129
OS63GD000LAA3BZ	1SCA136801R1001	133
OS63GD000LAA4BZ	1SCA136802R1001	134
OS63GD000LCC4BZ	1SCA137594R1001	134
OS800BC3LUU2FZ	1SCA022320R9120	130
OS800BC3LUU3FZ	1SCA022321R0480	130
OS800BC3LUU4FZ	1SCA022320R7340	131
OS800D3AUR3BTZ	1SCA128367R1001	133
OS800D3LAA3BZ	1SCA104509R1001	133
OS800D3LAA4BZ	1SCA022320R8230	134
OT1000BAUC3AZ	1SCA022513R0610	41
OT1000BAUC3TZ	1SCA022340R4170	32
OT1000BAUR3AZ	1SCA022513R1500	40
OT1000BAUR3TZ	1SCA022340R3950	30
OT1000BBCC3AZ	1SCA022512R6920	41
OT1000BBCC3TZ	1SCA022340R3360	31
OT1000BBRR3AZ	1SCA102815R1001	40
OT1000BBRR3TZ	1SCA022340R3100	30
OT1000BFCC3A	1SCA022297R5620	25
OT1000BFCC3T	1SCA022277R1620	22
OT1000BLCC3AZ	1SCA022512R6840	41
OT1000BLCC3TZ	1SCA022340R3790	31
OT1000BLRR3AZ	1SCA022512R7810	40
OT1000BLRR3TZ	1SCA022340R3520	30
OT1000BLUU3AZ	1SCA022549R2600	42
OT1000BTRR3AZ	1SCA102749R1001	74
OT1000BTRR3TZ	1SCA022513R7960	71
OT1000BUUR3AZ	1SCA022725R3010	75
OT1000BUUR3TZ	1SCA022513R8850	72
OT1000ERRR3TZ	1SCA103329R1001	57
OT1000ESUR3TZ	1SCA104434R1001	57
OT1000KLAA4BZ	1SCA022569R4220	107
OT1000KLUU3BZ	1SCA022750R1780	104
OT1000KLUU4BZ	1SCA104473R1001	107
OT1250EAUC3AZ	1SCA103279R1001	41
OT1250EAUC3TZ	1SCA103274R1001	32
OT1250EAUR3AZ	1SCA103275R1001	40
OT1250EAUR3TZ	1SCA103273R1001	30
OT1250ELCC3AZ	1SCA102768R1001	41
OT1250ELCC3TZ	1SCA102769R1001	31
OT1250ELRR3AZ	1SCA102772R1001	40
OT1250ELRR3TZ	1SCA102773R1001	30
OT1250ERRR3TZ	1SCA103351R1001	57
OT1250ESUR3TZ	1SCA104440R1001	57
OT1250ETRR3AZ	1SCA103282R1001	74

## Index

Type	Order code	Page
OT1250ETRR3TZ	1SCA103280R1001	71
OT1250EUUR3AZ	1SCA103283R1001	75
OT1250EUUR3TZ	1SCA103281R1001	72
OT1250KLAA4BZ	1SCA022569R4490	107
OT1250KLUU3BZ	1SCA022750R1860	104
OT1250KLUU4BZ	1SCA104455R1001	107
OT125ELAA6BZ	1SCA022740R6950	109
OT125GAUC3AZ	1SCA148439R1001	41
OT125GAUC3TZ	1SCA148440R1001	32
OT125GAUC6AZ	1SCA148494R1001	49
OT125GAUC6TZ	1SCA148495R1001	38
OT125GAUR3AZ	1SCA148441R1001	40
OT125GAUR3TZ	1SCA148442R1001	30
OT125GAUR6AZ	1SCA148496R1001	48
OT125GAUR6TZ	1SCA148497R1001	37
OT125GFCC3A	1SCA148607R1001	25
OT125GFCC3T	1SCA148608R1001	22
OT125GFCC4A	1SCA148611R1001	26
OT125GFCC4T	1SCA148612R1001	23
OT125GFCC6A	1SCA148667R1001	27
OT125GFCC6T	1SCA148668R1001	24
OT125GLCC3AZ	1SCA148211R1001	41
OT125GLCC3BZ	1SCA148273R1001	105
OT125GLCC3TZ	1SCA148212R1001	31
OT125GLCC4AZ	1SCA148213R1001	45
OT125GLCC4BZ	1SCA148275R1001	107
OT125GLCC4TZ	1SCA148214R1001	35
OT125GLCC6AZ	1SCA148476R1001	49
OT125GLCC6BZ	1SCA148480R1001	109
OT125GLCC6TZ	1SCA148477R1001	38
OT125GLRR6AZ	1SCA148478R1001	47
OT125GLRR6TZ	1SCA148479R1001	37
OT125GLUU3BZ	1SCA148274R1001	104
OT125GLUU4BZ	1SCA148277R1001	107
OT125GLUU6BZ	1SCA148482R1001	108
OT125GTRR6AZ	1SCA148601R1001	76
OT125GTRR6TZ	1SCA148602R1001	37, 73
OT125GTUU3AZ	1SCA148215R1001	74
OT125GTUU3TZ	1SCA148216R1001	71
OT125GTUU6TZ	1SCA157028R1001	73
OT125GUUR3AZ	1SCA148443R1001	74
OT125GUUR3TZ	1SCA148444R1001	72
OT1600KLAA4BZ	1SCA022569R4650	107
OT1600KLUU3BZ	1SCA022750R1940	104
OT1600KLUU4BZ	1SCA104504R1001	107
OT160EVAUC3AZ	1SCA147977R1001	41
OT160EVAUC3TZ	1SCA147978R1001	32
OT160EVAUC6AZ	1SCA147985R1001	49
OT160EVAUC6TZ	1SCA147986R1001	38
OT160EVAUR3AZ	1SCA147979R1001	40
OT160EVAUR3TZ	1SCA147980R1001	30
OT160EVAUR6AZ	1SCA147987R1001	48
OT160EVAUR6TZ	1SCA147988R1001	37
OT160EVFCC3A	1SCA148655R1001	25

Type	Order code	Page
OT160EVFCC3B	1SCA148615R1001	93
OT160EVFCC3BA	1SCA148616R1001	97
OT160EVFCC3T	1SCA148656R1001	22
OT160EVFCC4A	1SCA148674R1001	26
OT160EVFCC4B	1SCA148617R1001	94
OT160EVFCC4BA	1SCA148618R1001	98
OT160EVFCC4T	1SCA148675R1001	23
OT160EVFCC6A	1SCA148661R1001	27
OT160EVFCC6T	1SCA148660R1001	24
OT160EVLCC3AZ	1SCA148590R1001	41
OT160EVLCC3BZ	1SCA148265R1001	105
OT160EVLCC3TZ	1SCA148591R1001	31
OT160EVLCC4AZ	1SCA148592R1001	45
OT160EVLCC4BZ	1SCA148268R1001	107
OT160EVLCC4TZ	1SCA148597R1001	35
OT160EVLCC6AZ	1SCA148018R1001	49
OT160EVLCC6BZ	1SCA148022R1001	109
OT160EVLCC6TZ	1SCA148017R1001	38
OT160EVLRR3AZ	1SCA148593R1001	40
OT160EVLRR3TZ	1SCA148594R1001	30
OT160EVLRR4AZ	1SCA148598R1001	44
OT160EVLRR4TZ	1SCA148599R1001	34
OT160EVLRR6AZ	1SCA148020R1001	47
OT160EVLRR6TZ	1SCA148019R1001	37
OT160EVLUU3BZ	1SCA148267R1001	104
OT160EVLUU4BZ	1SCA148270R1001	107
OT160EVLUU6BZ	1SCA148021R1001	108
OT160EVRRR3TZ	1SCA125630R1001	57
OT160EVRRR6TZ	1SCA125725R1001	58
OT160EVSUR3TZ	1SCA125726R1001	57
OT160EVSUR6TZ	1SCA125650R1001	58
OT160EVTRR3AZ	1SCA148595R1001	74
OT160EVTRR3TZ	1SCA148596R1001	71
OT160EVTRR6AZ	1SCA148028R1001	76
OT160EVTRR6TZ	1SCA148027R1001	37
OT160EVTRR6TZ	1SCA148027R1001	73
OT160EVUUR3AZ	1SCA147981R1001	75
OT160EVUUR3TZ	1SCA147982R1001	72
OT160KLAA3CZ	1SCA120677R1001	124
OT160KLAA4CZ	1SCA145966R1001	125
OT160KLUU4CZ	1SCA147976R1001	125
OT160ETMM3AE	1SCA022742R0780	70
OT160ETMM3TE	1SCA022734R5980	69
OT160ETMM6AE	1SCA022742R1160	70
OT160ETMM6TE	1SCA022739R3870	69
OT200ERRR3TZ	1SCA101252R1001	57
OT200ERRR6TZ	1SCA102316R1001	58
OT200ESUR3TZ	1SCA102325R1001	57
OT200ESUR6TZ	1SCA102319R1001	58
OT200KAUC3AZ	1SCA022513R0010	41
OT200KAUC3TZ	1SCA022340R0930	32
OT200KAUC4TZ	1SCA022815R9620	35
OT200KAUC6AZ	1SCA022542R6210	49
OT200KAUC6TZ	1SCA022339R0280	38

## Index

Type	Order code	Page
OT200KAUR3AZ	1SCA022513R1090	40
OT200KAUR3TZ	1SCA022281R6820	30
OT200KAUR4AZ	1SCA022815R9710	44
OT200KAUR4TZ	1SCA022815R3510	34
OT200KAUR6AZ	1SCA022542R5590	48
OT200KAUR6TZ	1SCA022339R0010	37
OT200KAUU3BZ	1SCA127313R1001	105
OT200KFCC3A	1SCA022278R1340	25
OT200KFCC3B	1SCA022278R1510	93
OT200KFCC3BA	1SCA022833R9950	97
OT200KFCC3T	1SCA022260R5370	22
OT200KFCC4A	1SCA022745R6460	26
OT200KFCC4B	1SCA022530R4450	94
OT200KFCC4BA	1SCA022834R0530	98
OT200KFCC4T	1SCA022367R9430	23
OT200KFCC6A	1SCA022297R8480	27
OT200KFCC6B	1SCA022325R1750	95
OT200KFCC6BA	1SCA022845R1790	99
OT200KFCC6T	1SCA022260R5530	24
OT200KGCC3A	1SCA022297R6010	25
OT200KGCC3T	1SCA022276R8670	22
OT200KLAA3CZ	1SCA022294R7680	124
OT200KLAA4BZ	1SCA022342R5410	107
OT200KLAA4CZ	1SCA145968R1001	125
OT200KLCC3AZ	1SCA022512R6330	41
OT200KLCC3BZ	1SCA110114R1001	105
OT200KLCC3TZ	1SCA022281R5420	31
OT200KLCC4AZ	1SCA022542R8260	45
OT200KLCC4TZ	1SCA022461R5320	35
OT200KLCC6AZ	1SCA022512R8200	49
OT200KLCC6TZ	1SCA022338R7220	38
OT200KLRR3AZ	1SCA022512R7310	40
OT200KLRR3TZ	1SCA022340R0770	30
OT200KLRR4AZ	1SCA022542R6990	44
OT200KLRR4TZ	1SCA022461R5410	34
OT200KLRR6AZ	1SCA022512R9190	47
OT200KLRR6TZ	1SCA022340R5730	37
OT200KLUU3AZ	1SCA022549R2190	42
OT200KLUU3BZ	1SCA022602R0630	104
OT200KLUU3TZ	1SCA022581R0310	29
OT200KLUU4BZ	1SCA022800R5740	107
OT200KLUU6AZ	1SCA128193R1001	50
OT200KLUU6BZ	1SCA022802R4610	108
OT200KLUU6BZ	1SCA022717R9520	109
OT200KTRR3AZ	1SCA022742R3450	74
OT200KTRR3TZ	1SCA022513R7450	71
OT200KTRR6AZ	1SCA022742R4340	76
OT200KTRR6TZ	1SCA022545R7440	73
OT200KUUR3AZ	1SCA022700R6340	75
OT200KUUR3TZ	1SCA022513R8340	72
OT200KUUR6AZ	1SCA022801R7410	76
OT200KUUR6TZ	1SCA022625R3730	73
OT250ERRR3TZ	1SCA102364R1001	57
OT250ERRR6TZ	1SCA102365R1001	58

Type	Order code	Page
OT250ESUR3TZ	1SCA102320R1001	57
OT250ESUR6TZ	1SCA102370R1001	58
OT250KAUC3AZ	1SCA022513R0100	41
OT250KAUC3TZ	1SCA022340R1310	32
OT250KAUC4AZ	1SCA022816R0550	45
OT250KAUC4TZ	1SCA022816R0390	35
OT250KAUC6AZ	1SCA022542R6300	49
OT250KAUC6TZ	1SCA022360R2640	38
OT250KAUR3AZ	1SCA022513R1170	40
OT250KAUR3TZ	1SCA022281R7040	30
OT250KAUR4AZ	1SCA022816R0470	44
OT250KAUR4CZ	1SCA117797R1001	126
OT250KAUR4TZ	1SCA022717R3910	34
OT250KAUR6AZ	1SCA022542R5670	48
OT250KAUR6TZ	1SCA022360R2560	37
OT250KAUU3BZ	1SCA127314R1001	104
OT250KFCC3A	1SCA022278R1930	25
OT250KFCC3B	1SCA022278R2150	93
OT250KFCC3BA	1SCA022834R0020	97
OT250KFCC3T	1SCA022276R8830	22
OT250KFCC4A	1SCA022745R6540	26
OT250KFCC4B	1SCA022530R4530	94
OT250KFCC4BA	1SCA022834R0610	98
OT250KFCC4T	1SCA022619R2250	23
OT250KFCC6A	1SCA022297R8640	27
OT250KFCC6B	1SCA022512R1450	95
OT250KFCC6BA	1SCA022512R1450	99
OT250KFCC6T	1SCA022276R9480	24
OT250KGCC3A	1SCA022297R6270	25
OT250KGCC3T	1SCA022276R9640	22
OT250KLAA3CZ	1SCA022294R7840	124
OT250KLAA4BZ	1SCA022342R5840	107
OT250KLAA4CZ	1SCA145970R1001	125
OT250KLCC3AZ	1SCA022512R6410	41
OT250KLCC3BZ	1SCA110115R1001	105
OT250KLCC3TZ	1SCA022281R5690	31
OT250KLCC4AZ	1SCA022542R8340	45
OT250KLCC4TZ	1SCA022461R5590	35
OT250KLCC6AZ	1SCA022512R8380	49
OT250KLCC6TZ	1SCA022338R7650	38
OT250KLRR3AZ	1SCA022512R7490	40
OT250KLRR3TZ	1SCA022340R1150	30
OT250KLRR4AZ	1SCA022542R7020	44
OT250KLRR4TZ	1SCA022461R5670	34
OT250KLRR6AZ	1SCA022512R9270	47
OT250KLRR6TZ	1SCA022338R7490	37
OT250KLUU3AZ	1SCA022549R2270	42
OT250KLUU3BZ	1SCA022602R0710	104
OT250KLUU3TZ	1SCA022581R0400	29
OT250KLUU4BZ	1SCA022800R7360	107
OT250KLUU6AZ	1SCA128194R1001	50
OT250KLUU6BZ	1SCA022802R4530	108
OT250KLUU6BZ	1SCA022802R5770	109
OT250KTRR3AZ	1SCA022742R3530	74

## Index

Type	Order code	Page
OT250KTRR3TZ	1SCA022513R7530	71
OT250KTRR6AZ	1SCA022742R4420	76
OT250KTRR6TZ	1SCA022545R7520	73
OT250KUUR3AZ	1SCA022725R3190	75
OT250KUUR3TZ	1SCA022513R8420	72
OT250KUUR6AZ	1SCA022801R7590	76
OT250KUUR6TZ	1SCA022806R6610	73
OT25ETMM3AE	1SCA022742R0860	70
OT25ETMM3TE	1SCA022734R6010	69
OT25ETMM6AE	1SCA022742R1240	70
OT315ERRR3TZ	1SCA102332R1001	57
OT315ERRR6TZ	1SCA102327R1001	58
OT315ESUR3TZ	1SCA102317R1001	57
OT315ESUR6TZ	1SCA102330R1001	58
OT315KAUC3AZ	1SCA022513R0280	41
OT315KAUC3TZ	1SCA022340R1740	32
OT315KAUC4AZ	1SCA022815R8140	45
OT315KAUC4TZ	1SCA022815R8060	35
OT315KAUC6AZ	1SCA022542R6480	49
OT315KAUC6TZ	1SCA022360R2810	38
OT315KAUR3AZ	1SCA022513R1250	40
OT315KAUR3TZ	1SCA022281R7210	30
OT315KAUR4AZ	1SCA022816R0980	44
OT315KAUR4TZ	1SCA022815R5630	34
OT315KAUR6AZ	1SCA022542R5750	48
OT315KAUR6TZ	1SCA022360R2720	37
OT315KFCC3A	1SCA022278R2580	25
OT315KFCC3B	1SCA022278R2740	93
OT315KFCC3BA	1SCA022834R0110	97
OT315KFCC3T	1SCA022276R9810	22
OT315KFCC4A	1SCA022745R6620	26
OT315KFCC4B	1SCA022548R6710	94
OT315KFCC4BA	1SCA022834R0700	98
OT315KFCC4T	1SCA022367R9510	23
OT315KFCC6A	1SCA022292R7730	27
OT315KFCC6B	1SCA022845R2170	95
OT315KFCC6BA	1SCA022845R1950	99
OT315KFCC6T	1SCA022277R0060	24
OT315KGCC3A	1SCA022298R8280	25
OT315KGCC3T	1SCA022277R0220	22
OT315KLAA3CZ	1SCA022294R8060	124
OT315KLAA4BZ	1SCA022342R6220	107
OT315KLAA4CZ	1SCA107160R1001	125
OT315KLCC3AZ	1SCA022512R6500	41
OT315KLCC3TZ	1SCA022281R5850	31
OT315KLCC4AZ	1SCA022542R8690	45
OT315KLCC4TZ	1SCA022461R5750	35
OT315KLCC6AZ	1SCA022512R8460	49
OT315KLCC6TZ	1SCA022338R8030	38
OT315KLRR3AZ	1SCA022512R7570	40
OT315KLRR3TZ	1SCA022340R1580	30
OT315KLRR4AZ	1SCA022542R7110	44
OT315KLRR4TZ	1SCA022461R5830	34
OT315KLRR6AZ	1SCA022512R9350	47

Type	Order code	Page
OT315KLRR6TZ	1SCA022338R7810	37
OT315KLUU3BZ	1SCA022572R6010	104
OT315KLUU3TZ	1SCA022581R0580	29
OT315KLUU4BZ	1SCA022801R0070	107
OT315KLUU4C	1SCA022474R7740	125
OT315KLUU6AZ	1SCA128195R1001	50
OT315KLUU6BZ	1SCA022804R0900	108
OT315KLUU6BZ	1SCA022804R1110	109
OT315KTRR3AZ	1SCA022742R3610	74
OT315KTRR3TZ	1SCA022513R7610	71
OT315KTRR6AZ	1SCA022742R4510	76
OT315KTRR6TZ	1SCA022545R7610	73
OT315KUUR3AZ	1SCA022725R2890	75
OT315KUUR3TZ	1SCA022513R8510	72
OT315KUUR6AZ	1SCA022805R3120	76
OT315KUUR6TZ	1SCA022805R3040	73
OT36ETMM3AE	1SCA022742R0940	70
OT36ETMM3TE	1SCA022734R6100	69
OT36ETMM6AE	1SCA022742R1320	70
OT36ETMM6TE	1SCA022739R4090	69
OT400DAUC3AZ	1SCA022513R0360	41
OT400DAUC3TZ	1SCA022340R2120	32
OT400DAUC6AZ	1SCA022542R6560	49
OT400DAUC6TZ	1SCA022360R3020	38
OT400DAUR3AZ	1SCA022513R1330	40
OT400DAUR3TZ	1SCA022281R7470	30
OT400DAUR6AZ	1SCA022542R5830	48
OT400DAUR6TZ	1SCA022360R2990	37
OT400DFCC3A	1SCA022278R3120	25
OT400DFCC3B	1SCA022278R3390	93
OT400DFCC3BA	1SCA022834R0290	97
OT400DFCC3T	1SCA022277R0490	22
OT400DFCC4A	1SCA022745R6710	26
OT400DFCC4B	1SCA022609R5480	94
OT400DFCC4BA	1SCA022834R0880	98
OT400DFCC4T	1SCA022623R3970	23
OT400DFCC6A	1SCA022297R8810	27
OT400DFCC6B	1SCA022325R2130	95
OT400DFCC6BA	1SCA022845R2090	99
OT400DFCC6T	1SCA022277R0650	24
OT400DGCC3A	1SCA022297R6430	25
OT400DGCC3T	1SCA022277R0810	22
OT400DLAA3CZ	1SCA022294R8220	124
OT400DLAA4BZ	1SCA022342R6650	107
OT400DLAA4CZ	1SCA145972R1001	125
OT400DLCC3AZ	1SCA022512R6680	41
OT400DLCC3CZ	1SCA117797R1001	124
OT400DLCC3TZ	1SCA022281R6070	31
OT400DLCC4AZ	1SCA022542R8770	45
OT400DLCC4TZ	1SCA022461R5910	35
OT400DLCC6AZ	1SCA022512R8540	49
OT400DLCC6TZ	1SCA022338R8460	38
OT400DLRR3AZ	1SCA022512R7650	40
OT400DLRR3TZ	1SCA022340R1910	30

## Index

Type	Order code	Page
OT400DLRR4AZ	1SCA022542R7290	44
OT400DLRR4TZ	1SCA022461R6050	34
OT400DLRR6AZ	1SCA022512R9430	47
OT400DLRR6TZ	1SCA022338R8200	37
OT400DLUU3AZ	1SCA022549R2430	42
OT400DLUU3BAZ	1SCA140694R1001	110
OT400DLUU3BZ	1SCA022602R0800	104
OT400DLUU3TZ	1SCA022581R0660	29
OT400DLUU4BZ	1SCA022801R0660	107
OT400DLUU6AZ	1SCA128196R1001	50
OT400DLUU6BZ	1SCA022804R1030	108
OT400DLUU6BZ	1SCA022804R1200	109
OT400DTRR3AZ	1SCA022742R3700	74
OT400DTRR3TZ	1SCA022513R7700	71
OT400DTRR6AZ	1SCA022742R4690	76
OT400DTRR6TZ	1SCA022545R7790	73
OT400DUUR3AZ	1SCA022700R6420	75
OT400DUUR3TZ	1SCA022513R8690	72
OT400DUUR6AZ	1SCA022805R3980	76
OT400DUUR6TZ	1SCA022805R3800	73
OT400ERRR3TZ	1SCA102318R1001	57
OT400ERRR6TZ	1SCA102329R1001	58
OT400ESUR3TZ	1SCA102323R1001	57
OT400ESUR6TZ	1SCA102335R1001	58
OT630ERRR3TZ	1SCA102321R1001	57
OT630ERRR6TZ	1SCA102326R1001	58
OT630ESUR3TZ	1SCA102336R1001	57
OT630ESUR6TZ	1SCA102322R1001	58
OT630KAUC3AZ	1SCA022513R0440	41
OT630KAUC3TZ	1SCA022340R2550	32
OT630KAUC6AZ	1SCA022542R6640	49
OT630KAUC6TZ	1SCA022460R9860	38
OT630KAUR3AZ	1SCA022513R1410	40
OT630KAUR3TZ	1SCA022281R7630	30
OT630KAUR6AZ	1SCA022542R5910	48
OT630KAUR6TZ	1SCA022460R9940	37
OT630KBUC3AZ	1SCA022513R0520	41
OT630KBUC3TZ	1SCA022340R2980	32
OT630KBUR3AZ	1SCA022542R6720	40
OT630KBUR3TZ	1SCA022340R2710	30
OT630KFCC3A	1SCA022278R3710	25
OT630KFCC3B	1SCA022278R3980	93
OT630KFCC3BA	1SCA022834R0370	97
OT630KFCC3T	1SCA022277R1030	22
OT630KFCC4B	1SCA022584R5700	94
OT630KFCC4BA	1SCA022834R1000	98
OT630KGCC3A	1SCA022297R6600	25
OT630KGCC3T	1SCA022277R1460	22
OT630KLAA3CZ	1SCA022294R8490	124
OT630KLAA4BZ	1SCA022342R7030	107
OT630KLAA4CZ	1SCA145974R1001	125
OT630KLCC3AZ	1SCA022512R6760	41
OT630KLCC3BZ	1SCA110121R1001	105
OT630KLCC3TZ	1SCA022340R2390	31

Type	Order code	Page
OT630KLCC4AZ	1SCA022542R8850	45
OT630KLCC4TZ	1SCA022461R6130	35
OT630KLCC6AZ	1SCA022512R8620	49
OT630KLCC6TZ	1SCA022338R8890	38
OT630KLRR3AZ	1SCA022512R7730	40
OT630KLRR3TZ	1SCA022281R6230	30
OT630KLRR4AZ	1SCA022542R7450	44
OT630KLRR4TZ	1SCA022461R6210	34
OT630KLRR6AZ	1SCA022512R9510	47
OT630KLRR6TZ	1SCA022338R8620	37
OT630KLUU3AZ	1SCA022549R2510	42
OT630KLUU3BZ	1SCA022750R1510	104
OT630KLUU4BZ	1SCA022830R4490	107
OT630KLUU6AZ	1SCA128197R1001	50
OT630KLUU6BZ	1SCA022834R1260	108
OT630KLUU6BZ	1SCA022834R1420	109
OT630KTRR3AZ	1SCA022742R3880	74
OT630KTRR3TZ	1SCA022513R7880	71
OT630KTRR6AZ	1SCA022742R4770	76
OT630KTRR6TZ	1SCA022545R7870	73
OT630KUUR3AZ	1SCA022725R2970	75
OT630KUUR3TZ	1SCA022513R8770	72
OT630KUUR6AZ	1SCA022842R9780	76
OT630KUUR6TZ	1SCA022842R9600	73
OT63EAUU4CZ	1SCA139889R1001	125
OT63ETMM3AE	1SCA022742R1080	70
OT800EAUC3AZ	1SCA022827R9950	41
OT800EAUC3TZ	1SCA022827R9790	32
OT800EAUR3AZ	1SCA022828R0020	40
OT800EAUR3TZ	1SCA022827R8210	30
OT800EBCC3TZ	1SCA138016R1001	31
OT800ELCC3AZ	1SCA022828R1000	41
OT800ELCC3TZ	1SCA022828R0700	31
OT800ELCC4AZ	1SCA022828R1510	45
OT800ELCC4TZ	1SCA022828R1420	35
OT800ELCC6AZ	1SCA022828R2400	49
OT800ELCC6TZ	1SCA022828R2230	38
OT800ELRR3AZ	1SCA022828R1180	40
OT800ELRR3TZ	1SCA022827R8390	30
OT800ELRR4AZ	1SCA022828R1690	44
OT800ELRR4TZ	1SCA022828R1260	34
OT800ELRR6AZ	1SCA022828R2580	47
OT800ELRR6TZ	1SCA022827R8470	37
OT800ELUU6AZ	1SCA128198R1001	50
OT800ERRR3TZ	1SCA102333R1001	57
OT800ERRR6TZ	1SCA102334R1001	58
OT800ESUR3TZ	1SCA102324R1001	57
OT800ETRR3AZ	1SCA022828R2070	74
OT800ETRR3TZ	1SCA022828R1770	71
OT800ETRR6AZ	1SCA022828R2820	76
OT800ETRR6TZ	1SCA022828R2660	73
OT800EUUR3AZ	1SCA022828R0450	75
OT800EUUR3TZ	1SCA022828R0110	72
OT800EUUU3TZ	1SCA129519R1001	72

## Index

Type	Order code	Page
OT800KAUR4CZ	1SCA139888R1001	126
OT800KFCC3B	1SCA022303R0310	93
OT800KFCC3BA	1SCA022834R0450	97
OT800KFCC4B	1SCA022609R5560	94
OT800KFCC4BA	1SCA022834R1180	98
OT800KLAA3CZ	1SCA022834R1510	124
OT800KLAA4BZ	1SCA022342R7460	107
OT800KLAA4CZ	1SCA145976R1001	125
OT800KLUU3BAZ	1SCA140695R1001	110
OT800KLUU3BZ	1SCA022750R1600	104
OT800KLUU4BZ	1SCA022830R4570	107
OT800KLUU4C	1SCA022872R6560	125
OT800KLUU6BZ	1SCA022834R1690	108
OT800KLUU6BZ	1SCA022834R1340	109
OT90GAUC3AZ	1SCA148433R1001	41
OT90GAUC3TZ	1SCA148434R1001	32
OT90GAUC6AZ	1SCA148490R1001	49
OT90GAUC6TZ	1SCA148491R1001	38
OT90GAUR3AZ	1SCA148435R1001	40
OT90GAUR3TZ	1SCA148436R1001	30
OT90GAUR6AZ	1SCA148492R1001	48
OT90GAUR6TZ	1SCA148493R1001	37
OT90GFCC3A	1SCA148609R1001	25
OT90GFCC3T	1SCA148610R1001	22
OT90GFCC6A	1SCA148665R1001	27
OT90GFCC6T	1SCA148666R1001	24
OT90GLCC3AZ	1SCA148203R1001	41
OT90GLCC3TZ	1SCA148204R1001	31
OT90GLCC4AZ	1SCA148205R1001	45
OT90GLCC4TZ	1SCA148208R1001	35
OT90GLCC6AZ	1SCA148472R1001	49
OT90GLCC6TZ	1SCA148473R1001	38
OT90GLRR6AZ	1SCA148474R1001	47
OT90GLRR6TZ	1SCA148475R1001	37
OT90GLUU3AZ	1SCA148206R1001	42
OT90GLUU3TZ	1SCA148207R1001	29
OT90GTRR6AZ	1SCA148603R1001	76
OT90GTRR6TZ	1SCA148604R1001	73
OT90GTUU3AZ	1SCA148209R1001	74
OT90GTUU3TZ	1SCA148210R1001	71
OT90GUUR3AZ	1SCA148437R1001	74
OT90GUUR3TZ	1SCA148438R1001	72
OTA100S3BX	1SCA152697R1001	63
OTA100S3YX	1SCA152709R1001	64
OTA100S4BX	1SCA152710R1001	63
OTA100S4YX	1SCA152711R1001	64
OTA125P3B	1SCA142583R1001	60
OTA125P3Y	1SCA142584R1001	60
OTA125S3BX	1SCA152712R1001	63
OTA125S3YX	1SCA152713R1001	64
OTA125S4BX	1SCA152714R1001	63
OTA125S4YX	1SCA152715R1001	64
OTA160P3B	1SCA142585R1001	60
OTA160P3Y	1SCA142586R1001	60

Type	Order code	Page
OTA16S3BX	1SCA152716R1001	63
OTA16S3G	1SCA142663R1001	59
OTA16S3Y	1SCA142664R1001	59
OTA16S3YX	1SCA152717R1001	64
OTA16S4BX	1SCA152718R1001	63
OTA16S4G	1SCA142666R1001	61
OTA16S4Y	1SCA142670R1001	61
OTA16S4YX	1SCA152719R1001	64
OTA16S6BX	1SCA152720R1001	63
OTA16S6YX	1SCA152721R1001	64
OTA200P3B	1SCA142587R1001	60
OTA200P3Y	1SCA142588R1001	60
OTA250P3B	1SCA142589R1001	60
OTA250P3Y	1SCA142590R1001	60
OTA25S3BX	1SCA152722R1001	63
OTA25S3G	1SCA142671R1001	59
OTA25S3Y	1SCA142672R1001	59
OTA25S3YX	1SCA152723R1001	64
OTA25S4BX	1SCA152724R1001	63
OTA25S4G	1SCA142673R1001	61
OTA25S4Y	1SCA142674R1001	61
OTA25S4YX	1SCA152725R1001	64
OTA25S6BX	1SCA152726R1001	63
OTA25S6YX	1SCA152727R1001	64
OTA315P3B	1SCA142591R1001	60
OTA315P3Y	1SCA142592R1001	60
OTA400P3B	1SCA142593R1001	60
OTA400P3Y	1SCA142594R1001	60
OTA40S3BX	1SCA152728R1001	63
OTA40S3G	1SCA142675R1001	59
OTA40S3Y	1SCA142676R1001	59
OTA40S3YX	1SCA152729R1001	64
OTA40S4BX	1SCA152730R1001	63
OTA40S4G	1SCA142677R1001	61
OTA40S4Y	1SCA142678R1001	61
OTA40S4YX	1SCA152731R1001	64
OTA40S6BX	1SCA152732R1001	63
OTA40S6YX	1SCA152733R1001	64
OTA600P3B	1SCA144287R1001	60
OTA600P3Y	1SCA144288R1001	60
OTA63S3BX	1SCA152734R1001	63
OTA63S3G	1SCA142679R1001	59
OTA63S3Y	1SCA142680R1001	59
OTA63S3YX	1SCA152735R1001	64
OTA63S4BX	1SCA152736R1001	63
OTA63S4G	1SCA142681R1001	61
OTA63S4Y	1SCA142682R1001	61
OTA63S4YX	1SCA152737R1001	64
OTA80S3BX	1SCA152738R1001	63
OTA80S3YX	1SCA152739R1001	64
OTA80S4BX	1SCA152740R1001	63
OTA80S4YX	1SCA152741R1001	64
OTDCP16S11M	1SCA125129R1001	100
OTDCP16S12M	1SCA125153R1001	100

## Index

Type	Order code	Page
OTDCP16S13M	1SCA125117R1001	100
OTDCP16S22M	1SCA125095R1001	101
OTDCP16S22MD	1SCA131730R1001	102
OTDCP16SA11M	1SCA125126R1001	100
OTDCP16SA12M	1SCA125150R1001	100
OTDCP16SA13M	1SCA125114R1001	100
OTDCP16SA22M	1SCA125094R1001	101
OTDCP16SA22M25	1SCA144900R1001	101
OTDCP16SA22MD	1SCA131850R1001	102
OTDCP25S11M	1SCA125130R1001	100
OTDCP25S12M	1SCA125154R1001	100
OTDCP25S13M	1SCA125118R1001	100
OTDCP25S22M	1SCA125092R1001	101
OTDCP25S22MD	1SCA131731R1001	102
OTDCP25SA11M	1SCA125127R1001	100
OTDCP25SA12M	1SCA125151R1001	100
OTDCP25SA13M	1SCA125115R1001	100
OTDCP25SA22M	1SCA125091R1001	101
OTDCP25SA22M25	1SCA144902R1001	101
OTDCP25SA22MD	1SCA131851R1001	102
OTDCP32S11M	1SCA125131R1001	100
OTDCP32S12M	1SCA125155R1001	100
OTDCP32S13M	1SCA125119R1001	100
OTDCP32S22M	1SCA125093R1001	101
OTDCP32S22MD	1SCA131732R1001	102
OTDCP32SA11M	1SCA125128R1001	100
OTDCP32SA12M	1SCA125152R1001	100
OTDCP32SA13M	1SCA125116R1001	100
OTDCP32SA22M	1SCA125090R1001	101
OTDCP32SA22M25	1SCA144904R1001	101
OTDCP32SA22MD	1SCA131852R1001	102
OTE16A3M	1SCA022613R8710	67
OTE16A4M	1SCA022613R8800	67
OTE16A6M	1SCA022681R1250	68
OTE16T3M	1SCA022613R2190	65
OTE16T4M	1SCA022613R2430	65
OTE16T6M	1SCA022613R8980	66
OTE25A3M	1SCA022613R9010	67
OTE25A4M	1SCA022613R9100	67
OTE25A6B	1SCA022615R0500	68
OTE25A6M	1SCA150551R1001	68
OTE25T3M	1SCA022613R2270	65
OTE25T4M	1SCA022613R2510	65
OTE25T6B	1SCA022506R4120	66
OTE25T6M	1SCA150552R1001	66
OTE36A3M	1SCA022613R9280	67
OTE36A4M	1SCA022613R9360	67
OTE36A6B	1SCA022652R3890	68
OTE36A6M	1SCA150553R1001	68
OTE36T3M	1SCA022613R2350	65
OTE36T4M	1SCA022613R2600	65
OTE36T6B	1SCA022506R4210	66
OTE36T6M	1SCA150554R1001	66
OTE63A3M	1SCA149374R1001	67

Type	Order code	Page
OTE63A6M	1SCA150555R1001	68
OTE63T3M	1SCA149375R1001	65
OTE63T6M	1SCA150556R1001	66
OTE75A3B	1SCA022438R4760	67
OTE75A3M	1SCA022812R5990	67
OTE75A4B	1SCA022438R5220	67
OTE75A4M	1SCA022812R6370	67
OTE75A6B	1SCA022652R3970	68
OTE75A6M	1SCA022812R6700	68
OTE75T3B	1SCA022438R3790	65
OTE75T3M	1SCA022812R4160	65
OTE75T4B	1SCA022438R4250	65
OTE75T4M	1SCA022812R4670	65
OTE75T6B	1SCA022536R1680	66
OTE75T6M	1SCA022812R5720	66
OTE90A3B	1SCA022438R4840	67
OTE90A3M	1SCA022812R6020	67
OTE90A4B	1SCA022438R5310	67
OTE90A4M	1SCA022812R6450	67
OTE90A6B	1SCA022652R4010	68
OTE90A6M	1SCA022812R6880	68
OTE90T3B	1SCA022438R3870	65
OTE90T3M	1SCA022812R4240	65
OTE90T4B	1SCA022438R4330	65
OTE90T4M	1SCA022812R5050	65
OTE90T6B	1SCA022536R1760	66
OTE90T6M	1SCA022812R5810	66
OTL100B3B	1SCA022562R8350	103
OTL100B3U	1SCA022562R8430	103
OTL100B4B	1SCA022562R8510	106
OTL100B4U	1SCA022562R8600	106
OTL100BA3B	1SCA022562R8940	110
OTL100BA3U	1SCA022562R9080	110
OTL100BA4B	1SCA022562R9160	111
OTL100BA4U	1SCA022562R9240	111
OTL125B3B	1SCA022562R9590	103
OTL125B3U	1SCA022562R9670	103
OTL125B4B	1SCA022562R9830	106
OTL125B4U	1SCA022562R9910	106
OTL125BA3B	1SCA022563R0250	110
OTL125BA3U	1SCA022563R0330	110
OTL125BA4B	1SCA022563R0410	111
OTL125BA4U	1SCA022563R0500	111
OTL16A3B	1SCA022575R1630	39
OTL16A3M	1SCA022612R8750	39
OTL16A4B	1SCA022745R7010	43
OTL16A4M	1SCA022612R9130	43
OTL16A6M	1SCA022612R9560	46
OTL16B3M	1SCA022562R1260	103
OTL16B4M	1SCA022562R4120	106
OTL16B6M	1SCA022562R1690	108
OTL16BA3M	1SCA022562R1850	110
OTL16BA4M	1SCA022562R2070	111
OTL16BA6M	1SCA022562R2230	112



## Index

Type	Order code	Page
OTL16C3M	1SCA022752R6000	124
OTL16T3B	1SCA022571R9150	29
OTL16T3M	1SCA022612R9810	29
OTL16T3M32	1SCA130523R1001	29
OTL16T4B	1SCA022580R5150	33
OTL16T4M	1SCA022613R0140	33
OTL16T6B	1SCA022580R5230	36
OTL16T6M	1SCA022613R0570	36
OTL25A3B	1SCA022575R1710	39
OTL25A3M	1SCA022612R8830	39
OTL25A4B	1SCA022745R7190	43
OTL25A4M	1SCA022612R9210	43
OTL25A6B	1SCA022745R6890	46
OTL25A6M	1SCA022612R9640	46
OTL25B3M	1SCA022562R2400	103
OTL25B4M	1SCA022562R2660	106
OTL25B6M	1SCA022562R2820	108
OTL25BA3M	1SCA022562R3040	110
OTL25BA4M	1SCA022562R3210	111
OTL25BA6M	1SCA022562R3470	112
OTL25C3M	1SCA149138R1001	124
OTL25T3B	1SCA022571R9230	29
OTL25T3M	1SCA022612R9990	29
OTL25T3M25	1SCA122326R1001	29
OTL25T4B	1SCA022580R5310	33
OTL25T4M	1SCA022613R0220	33
OTL25T6B	1SCA022580R8090	36
OTL25T6M	1SCA022613R0650	36
OTL32B3M	1SCA022562R3630	103
OTL32B3U	1SCA127689R1001	103
OTL32B4M	1SCA022562R3800	106
OTL32B6M	1SCA022562R4010	108
OTL32BA3M	1SCA022562R4100	110
OTL32BA4M	1SCA022562R4360	111
OTL32BA6M	1SCA022562R4520	112
OTL36A3B	1SCA022575R1800	39
OTL36A3M	1SCA022612R8910	39
OTL36A4B	1SCA022745R7270	43
OTL36A4M	1SCA022612R9300	43
OTL36A6B	1SCA022745R6970	46
OTL36A6M	1SCA022612R9720	46
OTL36T3B	1SCA022571R9310	29
OTL36T3M	1SCA022613R0060	29
OTL36T3M25	1SCA100645R1001	29
OTL36T4B	1SCA022580R5400	33
OTL36T4M	1SCA022613R0310	33
OTL36T6B	1SCA022580R8170	36
OTL36T6M	1SCA022613R0730	36
OTL40C3M	1SCA149139R1001	124
OTL45B3M	1SCA022562R4790	103
OTL45B4M	1SCA022562R4950	106
OTL45B6B	1SCA022610R4730	108
OTL45B6U	1SCA022610R4810	108
OTL45BA3M	1SCA022562R5330	110

Type	Order code	Page
OTL45BA4M	1SCA022562R5500	111
OTL45BA6B	1SCA022610R5110	112
OTL45BA6U	1SCA022610R5200	112
OTL63A3B	1SCA022575R1980	39
OTL63A3M	1SCA022612R9050	39
OTL63A4B	1SCA022745R7350	43
OTL63A4M	1SCA022612R9480	43
OTL63B3M	1SCA022562R5920	103
OTL63B3U	1SCA127686R1001	103
OTL63B4M	1SCA022562R6140	106
OTL63B6B	1SCA022610R4900	108
OTL63B6U	1SCA022610R5030	108
OTL63BA3M	1SCA022562R6570	110
OTL63BA4M	1SCA022562R6730	111
OTL63BA6B	1SCA022610R5380	112
OTL63BA6U	1SCA022610R5460	112
OTL63C3M	1SCA149140R1001	124
OTL63T3B	1SCA022571R9400	29
OTL63T3M	1SCA022609R7180	29
OTL63T4B	1SCA022580R5580	33
OTL63T4M	1SCA022613R0490	33
OTL75A3B	1SCA022555R7580	39
OTL75A3U	1SCA022707R7610	39
OTL75A4B	1SCA022555R7660	43
OTL75A6B	1SCA022555R7740	46
OTL75A6U	1SCA022696R4830	46
OTL75T3B	1SCA022546R0820	29
OTL75T3U	1SCA022718R4520	29
OTL75T4B	1SCA022546R0910	33
OTL75T6B	1SCA022546R1040	36
OTL75T6U	1SCA022730R9160	36
OTL80C3M	1SCA149141R1001	124
OTL90A3B	1SCA022555R7820	39
OTL90A3U	1SCA022707R7790	39
OTL90A4B	1SCA022555R7910	43
OTL90A6B	1SCA022555R8040	46
OTL90A6U	1SCA022708R3090	46
OTL90T3B	1SCA022546R1120	29
OTL90T3U	1SCA022718R4610	29
OTL90T4B	1SCA022546R1210	33
OTL90T6B	1SCA022546R1390	36
OTL90T6U	1SCA022730R9240	36
OTP100B3B	1SCA126055R1001	93
OTP100B3M	1SCA126054R1001	93
OTP100B3U	1SCA126056R1001	93
OTP100BA3B	1SCA126067R1001	97
OTP100BA3M	1SCA126069R1001	97
OTP100BA3U	1SCA126057R1001	97
OTP125B3B	1SCA022383R3700	93
OTP125B3M	1SCA022812R7180	93
OTP125B3U	1SCA022401R3270	93
OTP125B4B	1SCA022401R5210	94
OTP125B4M	1SCA022812R7260	94
OTP125B4U	1SCA022401R5300	94

## Index

Type	Order code	Page
OTP125B6B	1SCA022401R6610	95
OTP125B6M	1SCA022812R7340	95
OTP125B6U	1SCA022401R6700	95
OTP125BA3B	1SCA022389R7420	97
OTP125BA3M	1SCA022812R7420	97
OTP125BA3U	1SCA022401R3940	97
OTP125BA4B	1SCA022571R8510	94
OTP125BA4M	1SCA022812R7510	98
OTP125BA4U	1SCA022459R7160	98
OTP125BA6B	1SCA022401R7510	95
OTP125BA6M	1SCA022812R7690	99
OTP125BA6U	1SCA022401R7690	99
OTP16A3M	1SCA022399R6750	25
OTP16A4M	1SCA022401R1060	26
OTP16A6M	1SCA022401R2200	27
OTP16B3M	1SCA022383R2130	93
OTP16B3M25	1SCA022699R2880	93
OTP16B4M	1SCA022401R4160	94
OTP16B6M	1SCA022401R5560	95
OTP16BA3M	1SCA022401R3350	97
OTP16BA3M25	1SCA022699R2960	97
OTP16BA4M	1SCA022459R6510	98
OTP16BA6M	1SCA022401R6880	99
OTP16H3M25	1SCA022699R3000	20
OTP16HB3M	1SCA022401R2970	93
OTP16HB3M25	1SCA022699R3690	93
OTP16HT3M	1SCA022400R9410	20
OTP16HT3M25	1SCA022699R3770	20
OTP16HT3M251	1SCA022699R4070	20
OTP16K3M	1SCA022400R9830	20
OTP16K3M25	1SCA022699R4310	20
OTP16KA3M	1SCA022399R6590	20
OTP16KA3M25	1SCA022699R4580	20
OTP16T3M	1SCA022400R9910	21
OTP16T4M	1SCA022401R0500	23
OTP16T6M	1SCA022401R1730	24
OTP25A3M	1SCA022399R6670	25
OTP25A4M	1SCA022401R1220	26
OTP25A6M	1SCA022401R2460	27
OTP25B3M	1SCA022383R2640	93
OTP25B3U	1SCA103605R1001	93
OTP25B4M	1SCA022401R4320	94
OTP25B4U	1SCA111455R1001	94
OTP25B6M	1SCA022401R5720	95
OTP25BA3M	1SCA022401R3430	97
OTP25BA4M	1SCA022459R6600	98
OTP25BA6M	1SCA022401R6960	99
OTP25T3M	1SCA022401R0090	21
OTP25T4M	1SCA022401R0680	23
OTP25T6M	1SCA022401R1810	24
OTP32B3M	1SCA022389R8400	93
OTP32B4M	1SCA022401R4590	94
OTP32B6M	1SCA022401R5990	95
OTP32BA3M	1SCA022401R3510	97

Type	Order code	Page
OTP32BA4M	1SCA022459R6780	98
OTP32BA6M	1SCA022401R7000	99
OTP36A3M	1SCA022399R6830	25
OTP36A4M	1SCA022401R1490	26
OTP36A6M	1SCA022401R2620	27
OTP36T3M	1SCA022401R0170	21
OTP36T4M	1SCA022401R0760	23
OTP36T6M	1SCA022401R1900	24
OTP45B3M	1SCA022383R3020	93
OTP45B3U	1SCA022629R2120	93
OTP45B4M	1SCA022401R4750	94
OTP45B4U	1SCA115872R1001	94
OTP45B6M	1SCA022401R6110	95
OTP45BA3M	1SCA022401R3600	97
OTP45BA4M	1SCA022459R6860	98
OTP45BA6M	1SCA022401R7180	99
OTP63A3M	1SCA022613R1200	25
OTP63A4M	1SCA150557R1001	26
OTP63A6B	1SCA022485R6280	27
OTP63B3M	1SCA022383R3450	93
OTP63B3U	1SCA103703R1001	93
OTP63B4M	1SCA022401R4910	94
OTP63B4U	1SCA116044R1001	94
OTP63B6M	1SCA022401R6370	95
OTP63BA3M	1SCA022401R3780	97
OTP63BA4M	1SCA022459R6940	98
OTP63BA6M	1SCA022401R7260	99
OTP63T3M	1SCA022608R2910	21
OTP63T4M	1SCA150558R1001	23
OTP63T6B	1SCA022485R6440	24
OTP75A3B	1SCA022382R0550	25
OTP75A3M	1SCA022812R3430	25
OTP75A3U	1SCA022401R0410	25
OTP75A4B	1SCA022401R1570	26
OTP75A4M	1SCA022812R3780	26
OTP75A4U	1SCA022401R1650	26
OTP75A6B	1SCA022401R2710	27
OTP75A6M	1SCA022812R3940	27
OTP75A6U	1SCA022401R2890	27
OTP75T3B	1SCA022371R2910	21
OTP75T3M	1SCA022812R2890	21
OTP75T3U	1SCA022401R0250	21
OTP75T4B	1SCA022383R0860	23
OTP75T4M	1SCA022812R3010	23
OTP75T4U	1SCA022401R0840	23
OTP75T6B	1SCA022371R3040	24
OTP75T6M	1SCA022812R3270	24
OTP75T6U	1SCA022401R2030	24
OTP90A3B	1SCA022430R0410	25
OTP90A3M	1SCA022812R3510	25
OTP90A3U	1SCA022430R1060	25
OTP90A4B	1SCA022430R1900	26
OTP90A4M	1SCA022812R3860	26
OTP90A4U	1SCA022430R2030	26

## Index

Type	Order code	Page
OTP90A6B	1SCA022430R2540	27
OTP90A6M	1SCA022812R4080	27
OTP90A6U	1SCA022430R2620	27
OTP90T3B	1SCA022429R3450	21
OTP90T3M	1SCA022812R2970	21
OTP90T3U	1SCA022430R0760	21
OTP90T4B	1SCA022430R1310	23
OTP90T4M	1SCA022812R3190	23
OTP90T4U	1SCA022430R1570	23
OTP90T6B	1SCA022430R2380	24
OTP90T6M	1SCA022812R3350	24
OTP90T6U	1SCA022430R2460	24
OTR100B3B	1SCA022568R0510	113
OTR100B3U	1SCA022568R0600	131
OTR100B4B	1SCA022568R2130	114
OTR100B4U	1SCA022568R2210	114
OTR100BA3B	1SCA022569R7320	116
OTR100BA3U	1SCA022569R7590	116
OTR100BA4B	1SCA022569R7410	117
OTR100BA4U	1SCA022569R7670	117
OTR125B3B	1SCA022568R0780	113
OTR125B3U	1SCA022568R0860	113
OTR125B4B	1SCA022568R2300	114
OTR125B4U	1SCA022568R2480	114
OTR125BA3B	1SCA022569R7750	116
OTR125BA3U	1SCA022569R7910	116
OTR125BA4B	1SCA022569R7830	117
OTR125BA4U	1SCA022569R8050	118
OTR16A3B	1SCA022575R7410	54
OTR16A3M	1SCA022613R2860	54
OTR16A4B	1SCA022745R7780	55
OTR16A4M	1SCA022613R3240	55
OTR16A6B	1SCA022745R8160	56
OTR16A6M	1SCA022613R3670	56
OTR16B3M	1SCA022567R9420	113
OTR16B3U	1SCA127690R1001	113
OTR16B4M	1SCA022568R1080	114
OTR16B6M	1SCA022575R2440	115
OTR16BA3M	1SCA022569R5110	116
OTR16BA4M	1SCA022569R5200	117
OTR16BA6M	1SCA022575R2610	118
OTR16T3B	1SCA022572R0160	51
OTR16T3M	1SCA022613R2780	51
OTR16T4B	1SCA022580R5740	52
OTR16T4M	1SCA022613R4210	52
OTR16T6B	1SCA022580R5820	53
OTR16T6M	1SCA022613R4640	53
OTR25A3B	1SCA022575R7590	54
OTR25A3M	1SCA022613R2940	54
OTR25A4B	1SCA022745R7860	55
OTR25A4M	1SCA022613R3320	55
OTR25A6B	1SCA022745R7510	56
OTR25A6M	1SCA022613R3750	56
OTR25B3M	1SCA022567R9690	113

Type	Order code	Page
OTR25B4M	1SCA022568R1240	114
OTR25B6M	1SCA022575R2870	115
OTR25BA3M	1SCA022569R5540	116
OTR25BA4M	1SCA022569R5620	117
OTR25BA6M	1SCA022575R3090	118
OTR25T3B	1SCA022572R0240	51
OTR25T3M	1SCA022613R3910	51
OTR25T4B	1SCA022580R5910	52
OTR25T4M	1SCA022613R4300	52
OTR25T6B	1SCA022580R8250	53
OTR25T6M	1SCA022613R4720	53
OTR32B3M	1SCA022567R9850	113
OTR32B4M	1SCA022568R1410	114
OTR32B6M	1SCA022575R3250	115
OTR32BA3M	1SCA022569R5970	116
OTR32BA4M	1SCA022569R6010	117
OTR32BA6M	1SCA022575R3410	118
OTR36A3B	1SCA022575R7670	54
OTR36A3M	1SCA022613R3080	54
OTR36A4B	1SCA022745R7940	55
OTR36A4M	1SCA022613R3410	55
OTR36A6B	1SCA022745R7600	56
OTR36A6M	1SCA022613R3830	56
OTR36T3B	1SCA022572R0320	51
OTR36T3M	1SCA022613R4050	51
OTR36T4B	1SCA022580R6040	52
OTR36T4M	1SCA022613R4480	52
OTR36T6B	1SCA022580R8330	53
OTR36T6M	1SCA022613R4810	53
OTR45B3M	1SCA022567R0010	113
OTR45B3U	1SCA127687R1001	113
OTR45B4M	1SCA022568R1670	114
OTR45B6B	1SCA022611R6660	115
OTR45B6U	1SCA022611R6820	115
OTR45BA3M	1SCA022569R6350	116
OTR45BA4M	1SCA022569R6430	117
OTR45BA6B	1SCA022611R6910	118
OTR45BA6U	1SCA022611R7040	118
OTR63A3B	1SCA022575R7750	54
OTR63A3M	1SCA022613R3160	54
OTR63A4B	1SCA022745R8080	55
OTR63A4M	1SCA022613R3590	55
OTR63B3M	1SCA022567R0270	113
OTR63B4M	1SCA022568R1830	114
OTR63B6B	1SCA022611R7120	115
OTR63B6U	1SCA022611R7210	115
OTR63BA3M	1SCA022569R6780	116
OTR63BA4M	1SCA022569R6860	117
OTR63BA6B	1SCA022611R7390	118
OTR63BA6U	1SCA022611R7470	118
OTR63T3B	1SCA022572R0410	51
OTR63T3M	1SCA022613R4130	51
OTR63T4B	1SCA022580R6120	52
OTR63T4M	1SCA022613R4560	52

## Index

Type	Order code	Page
OTR75A3B	1SCA022567R8960	54
OTR75A4B	1SCA022567R9000	55
OTR75A6B	1SCA022596R7210	56
OTR75T3B	1SCA022567R1280	51
OTR75T4B	1SCA022567R1360	52
OTR75T6B	1SCA022580R9060	53
OTR90A3B	1SCA022567R9180	54
OTR90A4B	1SCA022567R9260	55
OTR90A6B	1SCA022596R7300	56
OTR90T3B	1SCA022567R1440	51
OTR90T4B	1SCA022567R1520	52
OTR90T6B	1SCA022580R9140	53
OTU16B3MS2	1SCA132665R1001	92
OTU16B4MS2	1SCA132674R1001	92
OTU16BA3MS2	1SCA128505R1001	92
OTU16BA4MS2	1SCA132682R1001	92
OTU25B3MS2	1SCA132666R1001	92
OTU25B4MS2	1SCA132678R1001	92
OTU25BA3MS2	1SCA128504R1001	92
OTU25BA4MS2	1SCA132683R1001	92
OTU32B3MS2	1SCA132667R1001	92
OTU32B4MS2	1SCA132681R1001	92
OTU32BA3MS2	1SCA132669R1001	92
OTU32BA4MS2	1SCA132684R1001	92
OTU45B3MS3	1SCA132685R1001	92
OTU45B4MS3	1SCA132689R1001	92
OTU45BA3MS3	1SCA132687R1001	92
OTU45BA4MS3	1SCA132691R1001	92
OTU63B3MS3	1SCA132686R1001	92
OTU63B4MS3	1SCA132690R1001	92
OTU63BA3MS3	1SCA132688R1001	92
OTU63BA4MS3	1SCA132692R1001	92
OTZC13	1SCA022767R6910	148
OTZC14	1SCA022767R7040	148
OTZC23	1SCA022767R7120	148
OTZC24	1SCA022767R7210	148
OTZC33	1SCA022785R7020	148
OTZC34	1SCA022785R7110	148
OTZR1	1SCA100352R1001	148
OTZR2	1SCA104647R1001	148
OTZR3	1SCA100355R1001	148
OXN1250T	1SCA104162R1001	143
OXN250	1SCA022752R9950	143
OXN400	1SCA022770R3060	143
OXN800T	1SCA022829R0840	143
OZXA32	1SCA022683R4110	148
OZXA33	1SCA022685R0310	148
OZXA38	1SCA022785R2140	148
OZXA39	1SCA022790R3820	148
OZXB1	1SCA022119R7450	151
OZXB1/1	1SCA022193R9880	151
OZXB2	1SCA022119R7610	151
OZXB2/1	1SCA022194R0200	151
OZXB2L	1SCA022158R7750	151

Type	Order code	Page
OZXB2L/1	1SCA022194R0460	151
OZXB3	1SCA022136R8100	151
OZXB3/1	1SCA022194R0620	151
OZXB4	1SCA022137R4760	151
OZXB4/1	1SCA022194R0890	151
OZXB5	1SCA022137R2470	151
OZXB5/1	1SCA022194R1010	151
OZXB6	1SCA022137R4920	151
OZXB6/1	1SCA022194R1270	151
OZXB8	1SCA022744R1510	151
OZXB8/1	1SCA022744R1600	151
OZXB9	1SCA022750R3210	151
OZXB9/1	1SCA022750R3300	151
OZXE19	1SCA022162R8020	152
OZXE20	1SCA022161R8650	152
OZXE21	1SCA022161R8810	152
OZXE45	1SCA022809R0240	152
OZXE46	1SCA022809R3180	152
OZXE54	1SCA022733R9150	152
OZXE56	1SCA022811R5920	152
OZXE57	1SCA022811R6060	152
OZXL1	1SCA022439R6770	151
OZXL1/1	1SCA022469R6220	151
OZXL2	1SCA022335R2430	151
OZXL2/1	1SCA022352R3340	151
OZXT1	1SCA022469R6310	151
OZXT1/1	1SCA022469R6490	151
OZXT2	1SCA022620R7200	151
OZXT3	1SCA022639R0720	151
SORPNMPAM25/M20	1SCA022646R4510	160
SORPNMPAM32/M25	1SCA022646R4600	160
YJTB3	1SCA122170R1001	160
YMF-MB10215	1SCA022191R2170	156
YMF-MB10345	1SCA010352R7030	156
YMF-MB10674	1SCA022229R0010	156
YMF-MB10861SET	1SCA022715R9090	156
YMF-MB10862SET	1SCA022715R9170	156
YMF-MK10440	1SCA022660R7130	156







**For your notes**

A series of horizontal dotted lines for writing notes.







**Additional information**

We reserve the right to make technical changes or modify the contents of this document without prior notice. With regard to purchase orders, the agreed particulars shall prevail. ABB AG does not accept any responsibility whatsoever for potential errors or possible lack of information in this document.

We reserve all rights in this document and in the subject matter and illustrations contained therein. Any reproduction, disclosure to third parties or utilization of its contents – in whole or in parts – is forbidden without prior written consent of ABB.





—  
**ABB Oy**  
**Protection and Connection**  
P.O. Box 622  
FI-65101 Vaasa  
Finland

**[new.abb.com/low-voltage](http://new.abb.com/low-voltage)**

Find the address of your local sales organization on the ABB homepage:

**[www.abb.com/contacts](http://www.abb.com/contacts)**  
**> Low Voltage Products and Systems**