

LV HRC FUSE LINK GL/GG WITH NON-INSULATED GRIP LUGS WITH FRONT INDICATOR SIZE 00, 50A, AC 690V/DC 250V



Model		
product brand name		SETRON
Product designation		LV HRC fuse link
Design of an identification indicator		Front indicators
Design of the switching contact		Non-corroding, silver-plated
Design of the fuse link		LV HRC fuse link

General technical data		
Size of fuse system / acc. to DIN EN 60269-1		NH00
Operating class of the fuse link		gG
circuit-breaker / Design		3NA3
Mounting type		Non-insulated grip lugs
Supply voltage		
• at AC / rated value	V	690
• at DC	V	250

Protection class		
Protection class IP		IP20, with connected conductors

Switching capacity		
Switching capacity current		

- at DC / acc. to IEC 60947-2 / rated value
- acc. to IEC 60947-2 / rated value

kA	25
kA	120

Dissipation

Power loss [W]		
<ul style="list-style-type: none"> • for rated value of the current / at AC / in hot operating state / per pole 	W	4.74

Electricity

rated current I _n / IEC, DIN/VDE / at 40 Cel	A	47.5
Current / at AC / rated value	A	50

Mechanical Design

Mounting position		Any, preferably vertical
Net weight	g	207

Environmental conditions

Ambient temperature		
<ul style="list-style-type: none"> • minimum • maximum • during storage / Note 	°C	-5 40 Air humidity 90% at 20 °C
Environmental category		-20 to +50 at 95% relative humidity

Certificates

Equipment marking		
<ul style="list-style-type: none"> • acc. to DIN EN 61346-2 • acc. to DIN EN 81346-2 		F F

General Product Approval	Declaration of Conformity	Test Certificates
---------------------------------	----------------------------------	--------------------------



[spezielle Prüfbescheinigung](#)
[n](#)

[Typprüfbescheinigung/Werkszeugnis](#)

Test Certificates	Shipping Approval	other
--------------------------	--------------------------	--------------

[sonstig](#)



GL

[Umweltbestätigung](#)

[sonstig](#)

Further information

Information- and Downloadcenter (Catalogs, Brochures,...)
<http://www.siemens.com/lowvoltage/catalogs>

Industry Mall (Online ordering system)
<https://eb.automation.siemens.com/mall/en/WW/Catalog/Product/3NA38206>

Service&Support (Manuals, Certificates, Characteristics, FAQs,...)

<http://support.automation.siemens.com/WW/view/en/3NA38206/all>

Image database (product images, 2D dimension drawings, 3D models, device circuit diagrams, ...)

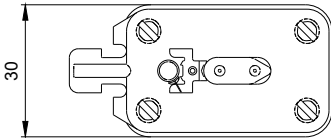
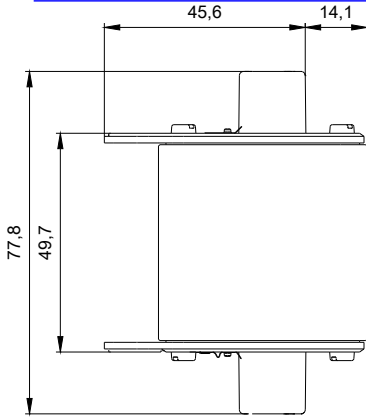
http://www.automation.siemens.com/bilddb/cax_en.aspx?mlfb=3NA38206

CAX-Online-Generator

<http://www.siemens.com/cax>

Tender specifications

<http://ausschreibungstexte.siemens.com/tiplv>



last modified:

22.03.2016