

Low Voltage Fuses

European NH Knife-Blade Fuse System



SIBA LV Fuse-links with top and combination indicator are available in a large variety of voltage ratings, body sizes and operating classes:

Sizes: **000, 00, 0, 1, 2, 3, 4 and 4a**

Voltage ratings: AC 400 / 500 / 690 /
1000 / 1500 V
DC 220 / 400 / 440 V

Operation classes: **gG:** Full range breaking capacity for general application
gB: Full range breaking capacity for mining application
aM: Partial range breaking capacity for motor circuit protection
gTr: Full range breaking capacity for transformer protection
gTF: Full range breaking capacity for general application

Standards: IEC 60269-1-2 / EN 60269-1-2
DIN VDE 0636 part 201
DIN VDE 0636 part 2011
DIN 43620

Approvals: Germany, Austria, Switzerland

Features / Benefits

- ▶ Combination indicator (top and center) for easy identification of blown fuses
- ▶ High interrupting rating up to 120 kA
- ▶ Voltage ratings AC 400 - 1500 V
- ▶ Operating classes gG / gB / aM / gTr / gTF available for all applications
- ▶ Fuse-bases and accessories available, made of sheet steel base plate with ceramic support
- ▶ Low power losses and low temperature rise
- ▶ All fuse-links are entirely corrosion resistant
- ▶ Gripping-lugs: metal/live for standard application, metal/insulated for increased safety

Low Voltage Fuses

European NH Knife-Blade Fuse System



General

User's demands for maximum service reliability in low voltage networks, coupled with effective and economic operation, places considerable quality requirements on the protective gear in these networks.

The continuous improvement of a line protective gear, especially the advances in development and quality of SIBA LV-fuse-links, means that these are always installed in places where feeders are to be protected efficiently, reliably and economically.

When suitably adapted to the line, SIBA LV fuse links guarantee maximum protection against all faults which may arise in practice.

The protection covers the range of small overcurrents as well as maximum short circuit currents.

Design

The main parts of the fuse-link, the SIBA selective fuse elements, are directly connected to the knife contacts by spot welding. The body suits is made of high quality ceramic, and the design the individual load conditions and consequently guarantees faultless operation.

SIBA's standard design of fuse-links are manufactured with a combination indicator.

Current limiting

The thermal and dynamic capacity of electrical switchgear components is determined by the peak value level of the prospective short circuit current I_s . The level of this peak short circuit current I_s is a cer-

tain value of the prospective current I_p (sym.r.m.s.), depending on the moment of energizing and the value of the d. c. component of that short circuit.

High short circuit currents do not rise up to their peak value when SIBA LV-fuse-links of a corresponding rated current are used. The current limiting effect starts at melting times of less than 5 m. s.

The current limiting diagram shows the behaviour of the prospective short circuit current I_s depending on the prospective current I_p (sym.r.m.s.). The coherence between the prospective current I_p (sym.r.m.s.) and the efficiency of current limitation (cut off current I_b) by SIBA LV-fuse-links, is given by the more level lines for the various fuse rated currents.

Time-current characteristics

The time-current characteristics for LV-fuse-links type gG are represented as „medium characteristics curves“. These are within the cutoff range stipulated by VDE 0636/201. Maximum deviation in the current coordinates is $\pm 7\%$.



Low Voltage Fuses

European NH Knife-Blade Fuse System

The discrimination between two fuse links of different current ratings can only be determined when considering the service voltage. The degree of discrimination in radially operated systems of 1:1.6, as well as the use of fuse links of the same rated current in meshed networks, is only applicable at service voltages $1.1 \times U_N / \sqrt{3}$.

Characteristic stability

SIBA LV fuse links are extremely resistant to ageing.

They have, without ageing, successfully passed longterm overload tests according to VDE 0636, where a specified cyclic load is applied for a period of 200 hours at a test current equal to 1.15 times the fuse rated current.

Arc voltage

The arc voltage is considerably below the values specified in VDE 0636/201.

aM

Because of their specific characteristic, SIBA LV-fuse-links of category aM are suitable for the protection of switchgear in motor feeders.

The specific design of the melting element guarantees reliable service in the limited range of the switchgear.

In the range above 4-times the rated current, SIBA LV-fuse-links aM protect the thermal overcurrent relays, while during short circuits, welding at contactor contacts is avoided because of extremely fast opening of the fuse links. The high breaking capacity

required during such operation is safely achieved by SIBA LV-fuse-links type aM at low cut-off currents.

gTr

SIBA LV-fuse-links of duty gTr are with a specific curve adapted to the load characteristic of the transformer. Therefore better utilization of the overload capacity of transformers is achieved. SIBA transformer-fuse-links are capable of carrying 1.3-times the current rating of a transformer as a continuous load for minimum 10hrs. The fuse operates within 2hrs., at 1.5-times the current rating of the transformer. Characteristic corresponds to VDE 0636/2011.

gB

SIBA LV fuse links of duty gB have been developed to protect underground installations of the mining industry, taking into consideration the particular operation and safety conditions. Characteristic corresponds to VDE 0636/2011.



Low Voltage Fuses

European NH Knife-Blade Fuse System

Selection Guide gG - General Application

Size	Rated Voltage [V]	Metal Gripping-Lugs	Indicator Type	Part No.	Selector Guide [Page]	Techn. Data [Page]
000	500	live	combi indicator	20 000 13	NH 8	NH 27
00	500	live	combi indicator	20 001 13	NH 8	NH 27
0	500	live	combi indicator	20 002 13	NH 9	NH 27
1	500	live	combi indicator	20 003 13	NH 9	NH 28
2	500	live	combi indicator	20 004 13	NH 10	NH 28
3	500	live	combi indicator	20 005 13	NH 10	NH 28
4	500	live	top indicator	20 006 13	NH 11	NH 29
4	500	live	top indicator	20 228 13	NH 11	NH 29
4a	500	live	top indicator	20 120 13	NH 11	NH 29
000	500	insulated	combi indicator	20 438 13	NH 14	NH 27
00	500	insulated	combi indicator	20 439 13	NH 14	NH 27
1	500	insulated	combi indicator	20 441 13	NH 15	NH 28
2	500	insulated	combi indicator	20 442 13	NH 15	NH 28
3	500	insulated	combi indicator	20 443 13	NH 16	NH 28
000	690	live	combi indicator	20 477 13	NH 8	NH 31
00	690	live	combi indicator	20 209 13	NH 8	NH 31
0	690	live	combi indicator	20 210 13	NH 9	NH 31
1	690	live	combi indicator	20 211 13	NH 9	NH 32
2	690	live	combi indicator	20 212 13	NH 10	NH 32
3	690	live	combi indicator	20 213 13	NH 10	NH 32
4	690	live	top indicator	20 225 13	NH 11	NH 33
4a	690	live	top indicator	20 227 13	NH 11	NH 33
000	690	insulated	combi indicator	20 452 13	NH 14	NH 31
00	690	insulated	combi indicator	20 453 13	NH 14	NH 31
1	690	insulated	combi indicator	20 455 13	NH 15	NH 32
2	690	insulated	combi indicator	20 456 13	NH 15	NH 32

Selection Guide gB - Mining Application

Size	Rated Voltage [V]	Metal Gripping-Lugs	Indicator Type	Part No.	Selector Guide [Page]	Techn. Data [Page]
000	1 000	live	top indicator	20 386 03	NH 18	NH 35
00	1 000	live	top indicator	20 389 03	NH 18	NH 35



Low Voltage Fuses
European NH Knife-Blade Fuse System

Selection Guide gM - Motor Circuit Protection

Size	Rated Voltage [V]	Metal Gripping-Lugs	Indicator Type	Part No.	Selector Guide [Page]	Techn. Data [Page]
000	690	live	combi indicator	20 477 08	NH 19	NH 37
00	690	live	combi indicator	20 209 08	NH 19	NH 37
0	690	live	combi indicator	20 210 08	NH 19	NH 37
1	690	live	combi indicator	20 211 08	NH 20	NH 38
2	690	live	combi indicator	20 212 08	NH 20	NH 38
3	690	live	combi indicator	20 213 08	NH 21	NH 38
4	690	live	top indicator	20 225 08	NH 21	NH 39
4a	690	live	top indicator	20 227 08	NH 21	NH 39
000	1 000	live	top indicator	20 386 08	NH 23	NH 41
00	1 000	live	top indicator	20 389 08	NH 23	NH 41

Selection Guide gTr - Transformer Protection

Size	Rated Voltage [V]	Metal Gripping-Lugs	Indicator Type	Part No.	Selector Guide [Page]	Techn. Data [Page]
2	400	live	combi indicator	20 004 15	NH 24	NH 42
3	400	live	combi indicator	20 005 15	NH 24	NH 42
4a	400	live	top indicator	20 120 15	NH 25	NH 42

Selection Guide gTF - General Application

Size	Rated Voltage [V]	Metal Gripping-Lugs	Indicator Type	Part No.	Selector Guide [Page]	Techn. Data [Page]
3	1 500	live	top indicator	20 246 02	NH 26	NH 44



Low Voltage Fuses

European NH Knife-Blade Fuse System

Selection Guide Knife-Links

Size	Metal Gripping-Lugs	Part No.	Techn. Data [Page]
00	live	24 001 02	NH 45
0	live	24 002 02	NH 45
1	live	24 003 02	NH 45
2	live	24 004 02	NH 45
3	live	24 005 02	NH 45
4	live	24 006 02	NH 45
4a	live	24 006 07	NH 45
00	insulated	24 080 02	NH 45
0	insulated	24 176 02	NH 45
1	insulated	24 158 02	NH 45
2	insulated	24 159 02	NH 45
3	insulated	24 160 02	NH 45

Selection Guide Fuse-Bases 500/660/690 V

Size	No. of Poles		Part No.	Techn. Data [Page]
00	1	Fuse base	21 001 01	NH 46
00		External wall	25 001 01	NH 46/47
00		Partition wall	25 001 03-2	NH 46
00	3	Fuse base	21 001 03	NH 46
0	1	Fuse base	21 002 04	NH 48
0		External wall	25 006 01	NH 48
1	1	Fuse base	21 003 01	NH 49
2	1	Fuse base	21 004 01	NH 49
3	1	Fuse base	21 005 01	NH 49
1		External wall	25 003 01	NH 49
2		Partition wall	25 004 01	NH 49
3		Partition wall	25 005 01	NH 49
1		Contact insulating cover for Fuse Base size 1	21 003 01.26	NH 49
2		Contact insulating cover for Fuse Base size 2	21 004 01.26	NH 49
3		Contact insulating cover for Fuse Base size 3	21 005 01.26	NH 49
1	3	Fuse base	21 003 03	NH 50
2	3	Fuse base	21 004 03	NH 50
1		External wall	25 003 01	NH 50
2		External wall	25 004 01	NH 50
4	1	Fuse base	21 006 01	NH 51
4	1	Fuse base	21 006 05	NH 51
4a	1	Fuse base	21 120 02	NH 51



Low Voltage Fuses
European NH Knife-Blade Fuse System

Selection Guide Fuse-Bases 1000/1200/1500 V

Size	Rated Voltage [V]	Design	Part No.	Techn. Data [Page]
000	1 000		21 386 01	NH 52
00	1 000		21 389 01	NH 52
3	1 500		21 031 01	NH 52

Selection Guide Grip-Handle

Size	Rated Voltage [V]	Design	Part No.	Techn. Data [Page]
00 - 3	400 - 690	Standard	22 001 02	NH 53
00 - 3	400 - 690	Protection by Leather Glove	22 001 05	NH 53
4 + 4a	400 - 690	Standard 87 mm (3.43")	22 120 01	NH 53
3	1 500	Standard 120 mm (4.72")	22 031 01	NH 53

Selection Guide GL-Switch for Gripping-Lugs

Type	Rated Voltage [V]	Part No.	Techn. Data [Page]
GL-Switch	250	28 002 02	NH 54



Low Voltage Fuses

European NH Knife-Blade Fuse System

gG

General
Applikation

Size
000

Metal Gripping-Lugs with Combi Indicator

Standard
IEC 60269-2-1

Rated Voltage **AC 500 V / DC 220 V**

Rated Voltage **AC 690 V / DC 220 V**

Rated Current [A]	Part No.	Weight [kg/1]	Pack
2	20 000 13.2	0.11	10
4	20 000 13.4	0.11	10
6	20 000 13.6	0.11	10
10	20 000 13.10	0.11	10
16	20 000 13.16	0.11	10
20	20 000 13.20	0.11	10
25	20 000 13.25	0.11	10
32	20 000 13.32	0.11	10
35	20 000 13.35	0.11	10
40	20 000 13.40	0.11	10
50	20 000 13.50	0.11	10
63	20 000 13.63	0.11	10
80	20 000 13.80	0.11	10
100	20 000 13.100	0.11	10

Rated Current [A]	Part No.	Weight [kg/1]	Pack
6	20 477 13.6	0.11	3
10	20 477 13.10	0.11	3
16	20 477 13.16	0.11	3
20	20 477 13.20	0.11	3
25	20 477 13.25	0.11	3
32	20 477 13.32	0.11	3
35	20 477 13.35	0.11	3
40	20 477 13.40	0.11	3
50	20 477 13.50	0.11	3

Size
00

Metal Gripping-Lugs with Combi Indicator

Standard
IEC 60269-2-1

Rated Voltage **AC 500 V / DC 220 V**

Rated Voltage **AC 690 V / DC 220 V**

Rated Current [A]	Part No.	Weight [kg/1]	Pack
125	20 001 13.125	0.154	10
160	20 001 13.160	0.154	10

Rated Current [A]	Part No.	Weight [kg/1]	Pack
63	20 209 13.63	0.154	3
80	20 209 13.80	0.154	3
100	20 209 13.100	0.154	3
125	20 209 13.125	0.154	3

Dimensions see Page NH 12 + NH 13



Low Voltage Fuses
European NH Knife-Blade Fuse System

gG General
Applikation

Size **0** **Metal Gripping-Lugs with Combi Indicator** Standard **IEC 60269-2-1**

Rated Voltage **AC 500 V / DC 440 V**

Rated Current [A]	Part No.	Weight [kg/1]	Pack
2	20 002 13.2	0.23	3
4	20 002 13.4	0.23	3
6	20 002 13.6	0.23	3
10	20 002 13.10	0.23	3
16	20 002 13.16	0.23	3
20	20 002 13.20	0.23	3
25	20 002 13.25	0.23	3
32	20 002 13.32	0.23	3
35	20 002 13.35	0.23	3
40	20 002 13.40	0.23	3
50	20 002 13.50	0.23	3
63	20 002 13.63	0.23	3
80	20 002 13.80	0.23	3
100	20 002 13.100	0.23	3
125	20 002 13.125	0.23	3
160	20 002 13.160	0.23	3

Rated Voltage **AC 690 V / DC 440 V**

Rated Current [A]	Part No.	Weight [kg/1]	Pack
6	20 210 13.6	0.23	3
10	20 210 13.10	0.23	3
16	20 210 13.16	0.23	3
20	20 210 13.20	0.23	3
25	20 210 13.25	0.23	3
32	20 210 13.32	0.23	3
35	20 210 13.35	0.23	3
40	20 210 13.40	0.23	3
50	20 210 13.50	0.23	3
63	20 210 13.63	0.23	3
80	20 210 13.80	0.23	3
100	20 210 13.100	0.23	3
125	20 210 13.125	0.23	3

Size **1** **Metal Gripping-Lugs with Combi Indicator** Standard **IEC 60269-2-1**

Rated Voltage **AC 500 V / DC 440 V**

Rated Current [A]	Part No.	Weight [kg/1]	Pack
16	20 003 13.16	0.28	3
20	20 003 13.20	0.28	3
25	20 003 13.25	0.28	3
32	20 003 13.32	0.28	3
35	20 003 13.35	0.28	3
40	20 003 13.40	0.28	3
50	20 003 13.50	0.28	3
63	20 003 13.63	0.28	3
80	20 003 13.80	0.28	3
100	20 003 13.100	0.28	3
125	20 003 13.125	0.28	3
160	20 003 13.160	0.28	3
200	20 003 13.200	0.44	3
224	20 003 13.224	0.44	3
250	20 003 13.250	0.44	3

Rated Voltage **AC 690 V / DC 440 V**

Rated Current [A]	Part No.	Weight [kg/1]	Pack
16	20 211 13.16	0.44	3
20	20 211 13.20	0.44	3
25	20 211 13.25	0.44	3
32	20 211 13.32	0.44	3
35	20 211 13.35	0.44	3
40	20 211 13.40	0.44	3
50	20 211 13.50	0.44	3
63	20 211 13.63	0.44	3
80	20 211 13.80	0.44	3
100	20 211 13.100	0.44	3
125	20 211 13.125	0.44	3
160	20 211 13.160	0.44	3
200	20 211 13.200	0.44	3
224	20 211 13.224	0.44	3
250	20 211 13.250	0.44	3

Dimensions see Page NH 12 + NH 13



Low Voltage Fuses

European NH Knife-Blade Fuse System

gG

General
Applikation

Size
2

Metal Gripping-Lugs with Combi Indicator

Standard
IEC 60269-2-1

Rated Voltage **AC 500 V / DC 440 V**

Rated Voltage **AC 690 V / DC 440 V**

Rated Current [A]	Part No.	Weight [kg/1]	Pack
35	20 004 13.35	0.28	3
40	20 004 13.40	0.28	3
50	20 004 13.50	0.28	3
63	20 004 13.63	0.28	3
80	20 004 13.80	0.28	3
100	20 004 13.100	0.28	3
125	20 004 13.125	0.28	3
160	20 004 13.160	0.28	3
200	20 004 13.200	0.48	3
224	20 004 13.224	0.48	3
250	20 004 13.250	0.48	3
300	20 004 13.300	0.65	3
315	20 004 13.315	0.65	3
355	20 004 13.355	0.65	3
400	20 004 13.400	0.65	3

Rated Current [A]	Part No.	Weight [kg/1]	Pack
35	20 212 13.35	0.48	3
40	20 212 13.40	0.48	3
50	20 212 13.50	0.48	3
63	20 212 13.63	0.48	3
80	20 212 13.80	0.48	3
100	20 212 13.100	0.48	3
125	20 212 13.125	0.48	3
160	20 212 13.160	0.48	3
200	20 212 13.200	0.48	3
224	20 212 13.224	0.65	3
250	20 212 13.250	0.65	3
300	20 212 13.300	0.65	3
315	20 212 13.315	0.65	3
355	20 212 13.355	0.65	3
400	20 212 13.400	0.65	3

Size
3

Metal Gripping-Lugs with Combi Indicator

Standard
IEC 60269-2-1

Rated Voltage **AC 500 V / DC 400 V**

Rated Voltage **AC 690 V / DC 400 V**

Rated Current [A]	Part No.	Weight [kg/1]	Pack
315	20 005 13.315	0.65	3
355	20 005 13.355	0.65	3
400	20 005 13.400	0.65	3
425	20 005 13.425	0.88	3
500	20 005 13.500	0.88	3
630	20 005 13.630	0.88	3

Rated Current [A]	Part No.	Weight [kg/1]	Pack
300	20 213 13.300	0.88	3
315	20 213 13.315	0.88	3
355	20 213 13.355	0.88	3
400	20 213 13.400	0.88	3
425	20 213 13.425	0.88	3
500	20 213 13.500*	1.27	3

* with Top indicator

Dimensions see Page NH 12 + NH 13



Low Voltage Fuses
European NH Knife-Blade Fuse System

gG General
Applikation

Size **4** **Metal Gripping-Lugs with Top Indicator** Standard **IEC 60269-2-1**

Rated Voltage **AC 500 V**

Rated Current [A]	Part No.	Weight [kg/1]	Pack
400	20 006 13.400	2.46	1
500	20 006 13.500	2.46	1
630	20 006 13.630	2.46	1
800	20 006 13.800	2.46	1
1 000	20 006 13.1000	2.46	1
1 250	20 006 13.1250	2.46	1
1 600	20 228 13.1600	3.20	1

Rated Voltage **AC 690 V**

Rated Current [A]	Part No.	Weight [kg/1]	Pack
400	20 225 13.400	2.46	1
500	20 225 13.500	2.46	1
630	20 225 13.630	2.46	1
800	20 225 13.800	2.46	1

Size **4a** **Metal Gripping-Lugs with Top Indicator** Standard **IEC 60269-2-1**

Rated Voltage **AC 500 V**

Rated Current [A]	Part No.	Weight [kg/1]	Pack
400	20 120 13.400	3.2	1
500	20 120 13.500	3.2	1
630	20 120 13.630	3.2	1
800	20 120 13.800	3.2	1
1 000	20 120 13.1000	3.2	1
1 250	20 120 13.1250	3.2	1
1 600	20 120 13.1600	3.2	1

Rated Voltage **AC 690 V**

Rated Current [A]	Part No.	Weight [kg/1]	Pack
400	20 227 13.400	3.0	1
500	20 227 13.500	3.0	1
630	20 227 13.630	3.0	1
800	20 227 13.800	3.0	1

Dimensions see Page NH 12 + NH 13



Low Voltage Fuses

European NH Knife-Blade Fuse System

gG

General
Applikation

Dimensions Metal Gripping-Lugs

Rated Voltage
AC 500 V

Standard
IEC 60269-2-1

20 000 13

A _{max.}	2.13" (54 mm)
B	0.60" (15 mm)
C	1.85" (47 mm)
D	0.80" (20.5 mm)
E	1.60" (40.5 mm)
F	0.24" (6 mm)
G	1.38" (35 mm)
H	2.05" (52 mm)
I	0.28" (7 mm)
L	3.07" (78 mm)

20 001 13

A _{max.}	2.13" (54 mm)
B	0.60" (15 mm)
C	1.85" (47 mm)
D	1.16" (29.5 mm)
E	1.80" (46 mm)
F	0.24" (6 mm)
G	1.38" (35 mm)
H	2.28" (58 mm)
I	0.50" (13 mm)
L	3.07" (78 mm)

20 002 13

A _{max.}	2.80" (71.5 mm)
B	0.60" (15 mm)
C	2.56" (65 mm)
D	1.16" (29.5 mm)
E	1.80" (46 mm)
F	0.24" (6 mm)
G	1.38" (35 mm)
H	2.28" (58 mm)
I	0.50" (13 mm)
L	4.92" (125 mm)

20 003 13 ≤ 160 A

A _{max.}	2.95" (75 mm)
B	0.80" (20 mm)
C	2.56" (65 mm)
D	1.16" (29.5 mm)
E	1.80" (46 mm)
F	0.24" (6 mm)
G	1.57" (40 mm)
H	2.28" (58 mm)
I	0.30" (8 mm)
L	5.30" (135 mm)

20 003 13 > 160 A

A _{max.}	2.95" (75 mm)
B	0.80" (20 mm)
C	2.56" (65 mm)
D	1.65" (42 mm)
E	2.03" (51.5 mm)
F	0.24" (6 mm)
G	1.57" (40 mm)
H	2.52" (64 mm)
I	0.55" (14 mm)
L	5.30" (135 mm)

20 004 13 ≤ 160 A

A _{max.}	2.95" (75 mm)
B	0.80" (20 mm)
C	2.56" (65 mm)
D	1.16" (29.5 mm)
E	1.80" (46 mm)
F	0.24" (6 mm)
G	1.90" (48 mm)
H	2.48" (63 mm)
I	0.24" (8 mm)
L	5.90" (150 mm)

20 004 13 200 - 250 A

A _{max.}	2.95" (75 mm)
B	0.80" (20 mm)
C	2.56" (65 mm)
D	1.65" (42 mm)
E	2.03" (51.5 mm)
F	0.24" (6 mm)
G	1.90" (48 mm)
H	2.83" (72 mm)
I	0.55" (14 mm)
L	5.90" (150 mm)

20 004 13 > 250 A

A _{max.}	2.95" (75 mm)
B	1.02" (26 mm)
C	2.56" (65 mm)
D	2.10" (53 mm)
E	2.32" (59 mm)
F	0.24" (6 mm)
G	1.90" (48 mm)
H	2.83" (72 mm)
I	0.55" (14 mm)
L	5.90" (150 mm)

20 005 13 ≤ 400 A

A _{max.}	2.95" (75 mm)
B	1.02" (26 mm)
C	2.56" (65 mm)
D	2.10" (53 mm)
E	2.32" (59 mm)
F	0.24" (6 mm)
G	2.36" (60 mm)
H	3.27" (83 mm)
I	0.55" (14 mm)
L	5.90" (150 mm)

20 005 13 > 400 A

A _{max.}	2.95" (75 mm)
B	1.26" (32 mm)
C	2.56" (65 mm)
D	2.56" (65 mm)
E	2.90" (73.5 mm)
F	0.24" (6 mm)
G	2.36" (60 mm)
H	3.40" (86 mm)
I	0.67" (17 mm)
L	5.90" (150 mm)

20 006 13 400 A - 1250 A

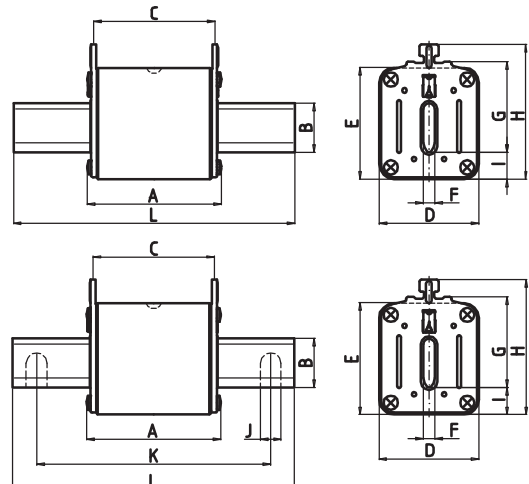
A _{max.}	3.54" (90 mm)
B	1.97" (50 mm)
C	2.56" (65 mm)
D	3.94" (100 mm)
E	4.25" (108 mm)
F	0.30" (8 mm)
G	3.35" (85 mm)
H	4.84" (123 mm)
I	1.10" (28 mm)
J	0.63" (16 mm)
K	5.90" (150 mm)
L	7.87" (200 mm)

20 006 13 1600 A

A	3.54" (100 mm)
B	1.97" (50 mm)
C	3.42" (87 mm)
D	3.54" (100 mm)
E	4.25" (108 mm)
F	0.30" (8 mm)
G	3.35" (85 mm)
H	4.84" (123 mm)
I	1.10" (28 mm)
J	0.63" (16 mm)
K	5.90" (150 mm)
L	7.87" (200 mm)

20 120 13

A _{max.}	3.94" (100 mm)
B	1.97" (50 mm)
C	3.43" (87 mm)
D	3.94" (100 mm)
E	4.25" (108 mm)
F	0.24" (6 mm)
G	3.35" (85 mm)
H	4.84" (123 mm)
I	1.10" (28 mm)
J	-
K	-
L	7.87" (200 mm)





Low Voltage Fuses
European NH Knife-Blade Fuse System

gG General
Applikation

Dimensions Metal Gripping-Lugs Rated Voltage **AC 690 V** Standard **IEC 60269-2-1**

20 477 13

A _{max.}	2.13" (54 mm)
B	0.60" (15 mm)
C	1.85" (47 mm)
D	0.80" (20.5 mm)
E	1.60" (40.5 mm)
F	0.24" (6 mm)
G	1.38" (35 mm)
H	2.05" (52 mm)
I	0.28" (7 mm)
L	3.07" (78 mm)

20 209 13

A _{max.}	2.13" (54 mm)
B	0.60" (15 mm)
C	1.85" (47 mm)
D	1.16" (29.5 mm)
E	1.80" (46 mm)
F	0.24" (6 mm)
G	1.38" (35 mm)
H	2.28" (58 mm)
I	0.50" (13 mm)
L	3.07" (78 mm)

20 210 13

A _{max.}	2.80" (71.5 mm)
B	0.60" (15 mm)
C	2.56" (65 mm)
D	1.16" (29.5 mm)
E	1.80" (46 mm)
F	0.24" (6 mm)
G	1.38" (35 mm)
H	2.28" (58 mm)
I	0.50" (13 mm)
L	4.92" (125 mm)

20 211 13

A _{max.}	2.95" (75 mm)
B	0.80" (20 mm)
C	2.56" (65 mm)
D	1.65" (42 mm)
E	2.03" (51.5 mm)
F	0.24" (6 mm)
G	1.57" (40 mm)
H	2.52" (64 mm)
I	0.55" (14 mm)
L	5.30" (135 mm)

20 212 13
≤ 200 A

A _{max.}	2.95" (75 mm)
B	0.80" (20 mm)
C	2.56" (65 mm)
D	1.65" (42 mm)
E	2.03" (51.5 mm)
F	0.24" (6 mm)
G	1.90" (48 mm)
H	2.83" (72 mm)
I	0.55" (14 mm)
L	5.90" (150 mm)

20 212 13
> 200 A

A _{max.}	2.95" (75 mm)
B	1.02" (26 mm)
C	2.56" (65 mm)
D	2.10" (53 mm)
E	2.32" (59 mm)
F	0.24" (6 mm)
G	1.90" (48 mm)
H	2.83" (72 mm)
I	0.55" (14 mm)
L	5.90" (150 mm)

20 213 13
≤ 315 A

A _{max.}	2.95" (75 mm)
B	1.02" (26 mm)
C	2.56" (65 mm)
D	2.10" (53 mm)
E	2.32" (59 mm)
F	0.24" (6 mm)
G	2.36" (60 mm)
H	3.27" (83 mm)
I	0.55" (14 mm)
L	5.90" (150 mm)

20 213 13
355 - 425 A

A _{max.}	2.95" (75 mm)
B	1.26" (32 mm)
C	2.56" (65 mm)
D	2.56" (65 mm)
E	2.90" (73.5 mm)
F	0.24" (6 mm)
G	2.36" (60 mm)
H	3.40" (86 mm)
I	0.67" (17 mm)
L	5.90" (150 mm)

20 213 13
≥ 500 A

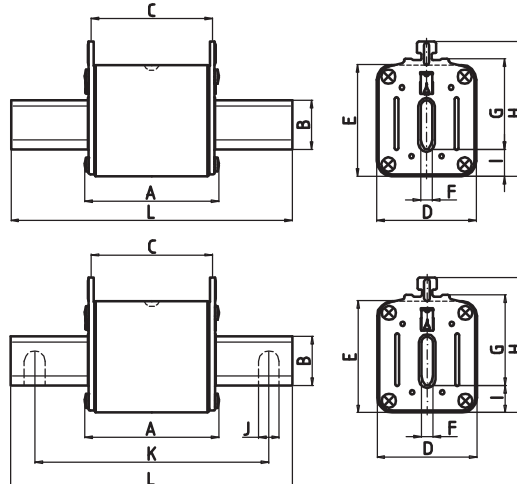
A _{max.}	2.95" (75 mm)
B	1.26" (32 mm)
C	2.56" (65 mm)
D	2.87" (73 mm)
E	2.87" (73 mm)
F	0.24" (6 mm)
G	2.36" (60 mm)
H	3.40" (86 mm)
I	0.63" (16 mm)
L	5.90" (150 mm)

20 225 13

A _{max.}	3.54" (90 mm)
B	1.97" (50 mm)
C	2.56" (65 mm)
D	3.94" (100 mm)
E	4.25" (108 mm)
F	0.30" (8 mm)
G	3.35" (85 mm)
H	4.84" (123 mm)
I	1.10" (28 mm)
J	0.63" (16 mm)
K	5.90" (150 mm)
L	7.87" (200 mm)

20 227 13

A _{max.}	3.94" (100 mm)
B	1.97" (50 mm)
C	3.43" (87 mm)
D	3.94" (100 mm)
E	4.25" (108 mm)
F	0.24" (6 mm)
G	3.35" (85 mm)
H	4.84" (123 mm)
I	1.10" (28 mm)
J	-
K	-
L	7.87" (200 mm)





Low Voltage Fuses

European NH Knife-Blade Fuse System

gG

General
Applikation

Size
000

Metal Insulated Gripping-Lugs with Combi Indicator

Standard
IEC 60269-2-1

Rated Voltage AC 500 V

Rated Voltage AC 690 V

Rated Current [A]	Part No.	Weight [kg/1]	Pack
2	20 438 13.2	0.12	10
4	20 438 13.4	0.12	10
6	20 438 13.6	0.12	10
10	20 438 13.10	0.12	10
16	20 438 13.16	0.12	10
20	20 438 13.20	0.12	10
25	20 438 13.25	0.12	10
32	20 438 13.32	0.12	10
35	20 438 13.35	0.12	10
40	20 438 13.40	0.12	10
50	20 438 13.50	0.12	10
63	20 438 13.63	0.12	10
80	20 438 13.80	0.12	10
100	20 438 13.100	0.12	10

Rated Current [A]	Part No.	Weight [kg/1]	Pack
2	20 452 13.2	0.12	10
4	20 452 13.4	0.12	10
6	20 452 13.6	0.12	10
10	20 452 13.10	0.12	10
16	20 452 13.16	0.12	10
20	20 452 13.20	0.12	10
25	20 452 13.25	0.12	10
32	20 452 13.32	0.12	10
35	20 452 13.35	0.12	10
40	20 452 13.40	0.12	10
50	20 452 13.50	0.12	10

Size
00

Metal Insulated Gripping-Lugs with Combi Indicator

Standard
IEC 60269-2-1

Rated Voltage AC 500 V

Rated Voltage AC 690 V

Rated Current [A]	Part No.	Weight [kg/1]	Pack
125	20 439 13.125	0.154	10
160	20 439 13.160	0.154	10

Rated Current [A]	Part No.	Weight [kg/1]	Pack
63	20 453 13.63	0.154	10
80	20 453 13.80	0.154	10
100	20 453 13.100	0.154	10
125	20 453 13.125	0.154	10

Dimensions see Page NH 17



Low Voltage Fuses
European NH Knife-Blade Fuse System

gG General
Applikation

Size **1** **Insulated Gripping-Lugs with Combi Indicator** Standard **IEC 60269-2-1**

Rated Voltage **AC 500 V**

Rated Current [A]	Part No.	Weight [kg/1]	Pack
16	20 441 13.16	0.28	3
20	20 441 13.20	0.28	3
25	20 441 13.25	0.28	3
32	20 441 13.32	0.28	3
35	20 441 13.35	0.28	3
40	20 441 13.40	0.28	3
50	20 441 13.50	0.28	3
63	20 441 13.63	0.28	3
80	20 441 13.80	0.28	3
100	20 441 13.100	0.28	3
125	20 441 13.125	0.28	3
160	20 441 13.160	0.28	3
200	20 441 13.200	0.44	3
224	20 441 13.224	0.44	3
250	20 441 13.250	0.44	3

Rated Voltage **AC 690 V**

Rated Current [A]	Part No.	Weight [kg/1]	Pack
16	20 455 13.16	0.44	3
20	20 455 13.20	0.44	3
25	20 455 13.25	0.44	3
32	20 455 13.32	0.44	3
35	20 455 13.35	0.44	3
40	20 455 13.40	0.44	3
50	20 455 13.50	0.44	3
63	20 455 13.63	0.44	3
80	20 455 13.80	0.44	3
100	20 455 13.100	0.44	3
125	20 455 13.125	0.44	3
160	20 455 13.160	0.44	3
200	20 455 13.200	0.44	3

Size **2** **Insulated Gripping-Lugs with Combi Indicator** Standard **IEC 60269-2-1**

Rated Voltage **AC 500 V**

Rated Current [A]	Part No.	Weight [kg/1]	Pack
35	20 442 13.35	0.28	3
40	20 442 13.40	0.28	3
50	20 442 13.50	0.28	3
63	20 442 13.63	0.28	3
80	20 442 13.80	0.28	3
100	20 442 13.100	0.28	3
125	20 442 13.125	0.28	3
160	20 442 13.160	0.28	3
200	20 442 13.200	0.48	3
224	20 442 13.224	0.48	3
250	20 442 13.250	0.48	3
300	20 442 13.300	0.65	3
315	20 442 13.315	0.65	3
355	20 442 13.355	0.65	3
400	20 442 13.400	0.65	3

Rated Voltage **AC 690 V**

Rated Current [A]	Part No.	Weight [kg/1]	Pack
35	20 456 13.35	0.48	3
40	20 456 13.40	0.48	3
50	20 456 13.50	0.48	3
63	20 456 13.63	0.48	3
80	20 456 13.80	0.48	3
100	20 456 13.100	0.48	3
125	20 456 13.125	0.48	3
160	20 456 13.160	0.48	3
200	20 456 13.200	0.48	3
224	20 456 13.224	0.65	3
250	20 456 13.250	0.65	3
300	20 456 13.300	0.65	3
315	20 456 13.315	0.65	3

Dimensions see Page NH 17



Low Voltage Fuses

European NH Knife-Blade Fuse System

gG

General
Applikation

Size
3

Rated Voltage
AC 500 V

Insulated Gripping-Lugs with Combi Indicator

Standard

IEC 60269-2-1

Rated Current [A]	Part No.	Weight [kg/1]	Pack
300	20 443 13.300	0.88	3
315	20 443 13.315	0.88	3
355	20 443 13.355	0.88	3
400	20 443 13.400	0.88	3
425	20 443 13.425	0.88	3
500	20 443 13.500	0.88	3
630	20 443 13.630	0.88	3

Dimensions see Page NH 17



Low Voltage Fuses
European NH Knife-Blade Fuse System

gG General
Applikation

Dimensions Metal Insulated Gripping-Lugs Standard
IEC 60269-2-1

20 438 13

A _{max.}	2.13" (54 mm)
B	0.60" (15 mm)
C	1.85" (47 mm)
D	0.80" (20.5 mm)
E	1.60" (40.5 mm)
F	0.24" (6 mm)
G	1.38" (35 mm)
H	2.05" (52 mm)
I	0.28" (7 mm)
L	3.07" (78 mm)

20 439 13

A _{max.}	2.13" (54 mm)
B	0.60" (15 mm)
C	1.85" (47 mm)
D	1.16" (29.5 mm)
E	1.80" (46 mm)
F	0.24" (6 mm)
G	1.38" (35 mm)
H	2.28" (58 mm)
I	0.50" (13 mm)
L	3.07" (78 mm)

20 441 13
≤ 160 A

A _{max.}	2.95" (75 mm)
B	0.80" (20 mm)
C	2.56" (65 mm)
D	1.16" (29.5 mm)
E	1.80" (46 mm)
F	0.24" (6 mm)
G	1.57" (40 mm)
H	2.28" (58 mm)
I	0.30" (8 mm)
L	5.30" (135 mm)

20 441 13
> 160 A

A _{max.}	2.95" (75 mm)
B	0.80" (20 mm)
C	2.56" (65 mm)
D	1.65" (42 mm)
E	2.03" (51.5 mm)
F	0.24" (6 mm)
G	1.57" (40 mm)
H	2.52" (64 mm)
I	0.55" (14 mm)
L	5.30" (135 mm)

20 442 13
≤ 160 A

A _{max.}	2.95" (75 mm)
B	0.80" (20 mm)
C	2.56" (65 mm)
D	1.16" (29.5 mm)
E	1.80" (46 mm)
F	0.24" (6 mm)
G	1.90" (48 mm)
H	2.48" (63 mm)
I	0.24" (6 mm)
L	5.90" (150 mm)

20 442 13
200 - 250 A

A _{max.}	2.95" (75 mm)
B	0.80" (20 mm)
C	2.56" (65 mm)
D	1.65" (42 mm)
E	2.03" (51.5 mm)
F	0.24" (6 mm)
G	1.90" (48 mm)
H	2.83" (72 mm)
I	0.55" (14 mm)
L	5.90" (150 mm)

20 442 13
> 250 A

A _{max.}	2.95" (75 mm)
B	1.02" (26 mm)
C	2.56" (65 mm)
D	2.10" (53 mm)
E	2.32" (59 mm)
F	0.24" (6 mm)
G	1.90" (48 mm)
H	2.83" (72 mm)
I	0.55" (14 mm)
L	5.90" (150 mm)

20 443 13

A _{max.}	2.95" (75 mm)
B	1.26" (32 mm)
C	2.56" (65 mm)
D	2.56" (65 mm)
E	2.90" (73.5 mm)
F	0.24" (6 mm)
G	2.36" (60 mm)
H	3.40" (86 mm)
I	0.67" (17 mm)
L	5.90" (150 mm)

20 452 13

A _{max.}	2.13" (54 mm)
B	0.60" (15 mm)
C	1.85" (47 mm)
D	0.80" (20.5 mm)
E	1.60" (40.5 mm)
F	0.24" (6 mm)
G	1.38" (35 mm)
H	2.05" (52 mm)
I	0.28" (7 mm)
L	3.07" (78 mm)

20 453 13

A _{max.}	2.13" (54 mm)
B	0.60" (15 mm)
C	1.85" (47 mm)
D	1.16" (29.5 mm)
E	1.80" (46 mm)
F	0.24" (6 mm)
G	1.38" (35 mm)
H	2.28" (58 mm)
I	0.50" (13 mm)
L	3.07" (78 mm)

20 455 13

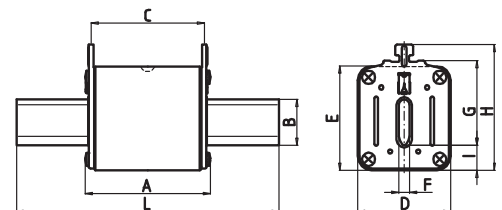
A _{max.}	2.95" (75 mm)
B	0.80" (20 mm)
C	2.56" (65 mm)
D	1.65" (42 mm)
E	2.03" (51.5 mm)
F	0.24" (6 mm)
G	1.57" (40 mm)
H	2.52" (64 mm)
I	0.55" (14 mm)
L	5.30" (135 mm)

20 456 13
≤ 200 A

A _{max.}	2.95" (75 mm)
B	0.80" (20 mm)
C	2.56" (65 mm)
D	1.65" (42 mm)
E	2.03" (51.5 mm)
F	0.24" (6 mm)
G	1.90" (48 mm)
H	2.83" (72 mm)
I	0.55" (14 mm)
L	5.90" (150 mm)

20 456 13
> 200 A

A _{max.}	2.95" (75 mm)
B	1.02" (26 mm)
C	2.56" (65 mm)
D	2.10" (53 mm)
E	2.32" (59 mm)
F	0.24" (6 mm)
G	1.90" (48 mm)
H	2.83" (72 mm)
I	0.55" (14 mm)
L	5.90" (150 mm)





Low Voltage Fuses

European NH Knife-Blade Fuse System

gB

Mining Application

Size
000

Rated Voltage
AC 1000 V

Metal Gripping-Lugs with Top Indicator

Rated Current [A]	Part No.	Weight [kg/1]	Pack
6	20 386 03.6	0.18	3
10	20 386 03.10	0.18	3
16	20 386 03.16	0.18	3
20	20 386 03.20	0.18	3
25	20 386 03.25	0.18	3
35	20 386 03.35	0.18	3
50	20 386 03.50	0.18	3
63	20 386 03.63	0.18	3
80	20 386 03.80	0.18	3
100	20 386 03.100	0.18	3

Size
00

Rated Voltage
AC 1000 V

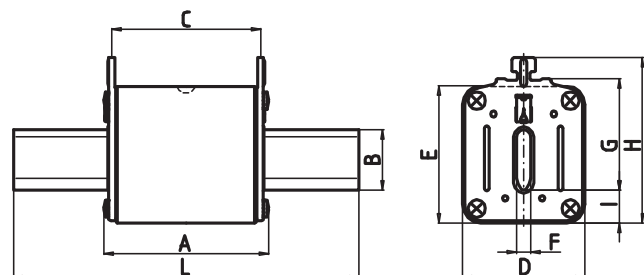
Metal Gripping-Lugs with Top Indicator

Rated Current [A]	Part No.	Weight [kg/1]	Pack
6	20 389 03.6	0.28	3
10	20 389 03.10	0.28	3
16	20 389 03.16	0.28	3
20	20 389 03.20	0.28	3
25	20 389 03.25	0.28	3
35	20 389 03.35	0.28	3
50	20 389 03.50	0.28	3
63	20 389 03.63	0.28	3
80	20 389 03.80	0.28	3
100	20 389 03.100	0.28	3
125	20 389 03.125	0.28	3
160	20 389 03.160	0.28	3

20 389 03

20 386 03

A_{max.} 3.66" (93 mm)	A_{max.} 3.39" (86 mm)
B 0.60" (15 mm)	B 0.60" (15 mm)
C 3.35" (85 mm)	C 3.07" (78 mm)
D 1.16" (29.5 mm)	D 0.80" (20.5 mm)
E 1.81" (46 mm)	E 1.60" (40.5 mm)
F 0.24" (6 mm)	F 0.24" (6 mm)
G 1.38" (35 mm)	G 1.38" (35 mm)
H 2.28" (58 mm)	H 2.05" (52 mm)
I 0.50" (13 mm)	I 0.28" (7 mm)
L 4.61" (117 mm)	L 4.33" (110 mm)





Low Voltage Fuses
European NH Knife-Blade Fuse System

aM Motor Circuit Protection

Size 000	Rated Voltage AC 690 V	Metal Gripping-Lugs with Combi Indicator	Standard IEC 60269-2
--------------------	----------------------------------	---	--------------------------------

Rated Current [A]	Part No.	Weight [kg/1]	Pack
16	20 477 08.16	0.11	3
20	20 477 08.20	0.11	3
25	20 477 08.25	0.11	3
35	20 477 08.35	0.11	3
50	20 477 08.50	0.11	3

Size 00	Rated Voltage AC 690 V	Metal Gripping-Lugs with Combi Indicator	Standard IEC 60269-2
-------------------	----------------------------------	---	--------------------------------

Rated Current [A]	Part No.	Weight [kg/1]	Pack
63	20 209 08.63	0.154	3
80	20 209 08.80	0.154	3
100	20 209 08.100	0.154	3
125	20 209 08.125	0.154	3

Size 0	Rated Voltage AC 690 V	Metal Gripping-Lugs with Combi Indicator	Standard IEC 60269-2
------------------	----------------------------------	---	--------------------------------

Rated Current [A]	Part No.	Weight [kg/1]	Pack
16	20 210 08.16	0.23	3
20	20 210 08.20	0.23	3
25	20 210 08.25	0.23	3
35	20 210 08.35	0.23	3
50	20 210 08.50	0.23	3
63	20 210 08.63	0.23	3
80	20 210 08.80	0.23	3
100	20 210 08.100	0.23	3
125	20 210 08.125	0.23	3
160	20 210 08.160	0.23	3

Dimensions see Page NH 22



Low Voltage Fuses

European NH Knife-Blade Fuse System

aM

Motor Circuit
Protection

Size **1** Rated Voltage **AC 690 V** **Metal Gripping-Lugs with Combi Indicator** Standard **IEC 60269-2**

Rated Current [A]	Part No.	Weight [kg/1]	Pack
16	20 211 08.16	0.44	3
20	20 211 08.20	0.44	3
25	20 211 08.25	0.44	3
35	20 211 08.35	0.44	3
50	20 211 08.50	0.44	3
63	20 211 08.63	0.44	3
80	20 211 08.80	0.44	3
100	20 211 08.100	0.44	3
125	20 211 08.125	0.44	3
160	20 211 08.160	0.44	3
200	20 211 08.200	0.44	3
250	20 211 08.250	0.44	3

Size **2** Rated Voltage **AC 690 V** **Metal Gripping-Lugs with Combi Indicator** Standard **IEC 60269-2**

Rated Current [A]	Part No.	Weight [kg/1]	Pack
35	20 212 08.35	0.48	3
50	20 212 08.50	0.48	3
63	20 212 08.63	0.48	3
80	20 212 08.80	0.48	3
100	20 212 08.100	0.48	3
125	20 212 08.125	0.48	3
160	20 212 08.160	0.48	3
200	20 212 08.200	0.48	3
250	20 212 08.250	0.65	3
315	20 212 08.315	0.65	3
355	20 212 08.355	0.65	3
400	20 212 08.400	0.65	3

Dimensions see Page NH 22



Low Voltage Fuses
European NH Knife-Blade Fuse System

aM Motor Circuit Protection

Size 3	Rated Voltage AC 660/690 V	Metal Gripping-Lugs with Combi Indicator	Standard IEC 60269-2
------------------	--------------------------------------	---	--------------------------------

Rated Current [A]	Part No.	Weight [kg/1]	Pack
315	20 213 08.315	0.65	3
400	20 213 08.400	0.88	1
500	20 213 08.500*	1.27	1
630	20 213 08.630*	1.27	1

* with top indicator

Size 4	Rated Voltage AC 690 V	Metal Gripping-Lugs with Combi Indicator	Standard IEC 60269-2
------------------	----------------------------------	---	--------------------------------

Rated Current [A]	Part No.	Weight [kg/1]	Pack
400	20 225 08.400	2.46	1
500	20 225 08.500	2.46	1
630	20 225 08.630	2.46	1
800	20 225 08.800	2.46	1
1 000	20 225 08.1000	2.46	1

Size 4a	Rated Voltage AC 690 V	Metal Gripping-Lugs with Top Indicator	Standard IEC 60269-2
-------------------	----------------------------------	---	--------------------------------

Rated Current [A]	Part No.	Weight [kg/1]	Pack
400	20 227 08.400	3.0	1
500	20 227 08.500	3.0	1
630	20 227 08.630	3.0	1
800	20 227 08.800	3.0	1
1 000	20 227 08.1000	3.0	1

Dimensions see Page NH 22



Low Voltage Fuses

European NH Knife-Blade Fuse System

aM

Motor Circuit Protection

Dimensions Metal Gripping-Lugs

Rated Voltage
AC 690 V

Standard
IEC 60269-2

20 477 08

A _{max.}	2.13" (54 mm)
B	0.60" (15 mm)
C	1.85" (47 mm)
D	0.80" (20.5 mm)
E	1.60" (40.5 mm)
F	0.24" (6 mm)
G	1.38" (35 mm)
H	2.05" (52 mm)
I	0.28" (7 mm)
L	3.07" (78 mm)

20 209 08

A _{max.}	2.13" (54 mm)
B	0.60" (15 mm)
C	1.85" (47 mm)
D	1.16" (29.5 mm)
E	1.80" (46 mm)
F	0.24" (6 mm)
G	1.38" (35 mm)
H	2.28" (58 mm)
I	0.50" (13 mm)
L	3.07" (78 mm)

20 210 08

A _{max.}	2.80" (71.5 mm)
B	0.60" (15 mm)
C	2.56" (65 mm)
D	1.16" (29.5 mm)
E	1.80" (46 mm)
F	0.24" (6 mm)
G	1.38" (35 mm)
H	2.28" (58 mm)
I	0.50" (13 mm)
L	4.92" (125 mm)

20 211 08

A _{max.}	2.95" (75 mm)
B	0.80" (20 mm)
C	2.56" (65 mm)
D	1.65" (42 mm)
E	2.03" (51.5 mm)
F	0.24" (6 mm)
G	1.57" (40 mm)
H	2.52" (64 mm)
I	0.55" (14 mm)
L	5.30" (135 mm)

20 212 08 ≤ 200 A

A _{max.}	2.95" (75 mm)
B	0.80" (20 mm)
C	2.56" (65 mm)
D	1.65" (42 mm)
E	2.03" (51.5 mm)
F	0.24" (6 mm)
G	1.90" (48 mm)
H	2.83" (72 mm)
I	0.55" (14 mm)
L	5.90" (150 mm)

20 212 08 ≥ 224 A

A _{max.}	2.95" (75 mm)
B	1.02" (26 mm)
C	2.56" (65 mm)
D	2.10" (53 mm)
E	2.32" (59 mm)
F	0.24" (6 mm)
G	1.90" (48 mm)
H	2.83" (72 mm)
I	0.55" (14 mm)
L	5.90" (150 mm)

20 213 08 ≤ 315 A

A _{max.}	2.95" (75 mm)
B	1.02" (26 mm)
C	2.56" (65 mm)
D	2.10" (53 mm)
E	2.32" (59 mm)
F	0.24" (6 mm)
G	2.36" (60 mm)
H	3.27" (83 mm)
I	0.55" (14 mm)
L	5.90" (150 mm)

20 213 08 400 A

A _{max.}	2.95" (75 mm)
B	1.26" (32 mm)
C	2.56" (65 mm)
D	2.56" (65 mm)
E	2.90" (73.5 mm)
F	0.24" (6 mm)
G	2.36" (60 mm)
H	3.40" (86 mm)
I	0.67" (17 mm)
L	5.90" (150 mm)

20 213 08 500 - 630 A

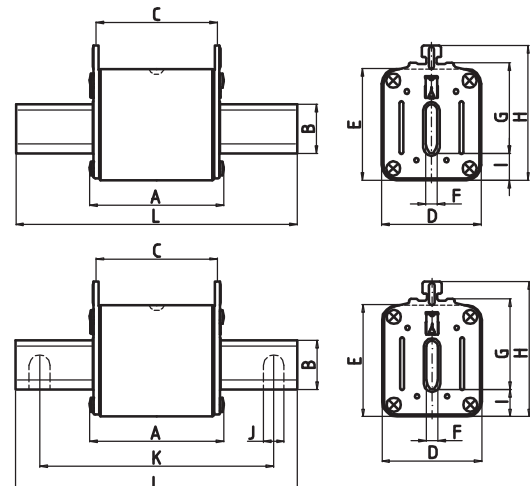
A _{max.}	2.95" (75 mm)
B	1.26" (32 mm)
C	2.56" (65 mm)
D	2.87" (73 mm)
E	2.87" (73 mm)
F	0.24" (6 mm)
G	2.36" (60 mm)
H	3.40" (86 mm)
I	0.63" (16 mm)
L	5.90" (150 mm)

20 225 08

A _{max.}	3.54" (90 mm)
B	1.97" (50 mm)
C	2.56" (65 mm)
D	3.94" (100 mm)
E	4.25" (108 mm)
F	0.30" (8 mm)
G	3.35" (85 mm)
H	4.84" (123 mm)
I	1.10" (28 mm)
J	0.63" (16 mm)
K	5.90" (150 mm)
L	7.87" (200 mm)

20 227 08

A _{max.}	3.94" (100 mm)
B	1.97" (50 mm)
C	3.43" (87 mm)
D	3.94" (100 mm)
E	4.25" (108 mm)
F	0.24" (6 mm)
G	3.35" (85 mm)
H	4.84" (123 mm)
I	1.10" (28 mm)
J	-
K	-
L	7.87" (200 mm)





Low Voltage Fuses
European NH Knife-Blade Fuse System

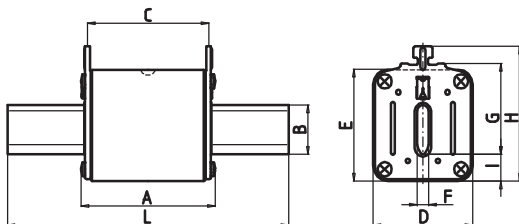
aM Motor Circuit Protection

Size **000** Rated Voltage **AC 1000 V** Metal Gripping-Lugs with Top Indicator Standard **IEC 60269-2**

Rated Current [A]	Part No.	Weight [kg/1]	Pack
16	20 386 08.16	0.18	3
20	20 386 08.20	0.18	3
25	20 386 08.25	0.18	3
35	20 386 08.35	0.18	3
50	20 386 08.50	0.18	3
63	20 386 08.63	0.18	3
80	20 386 08.80	0.18	3
100	20 386 08.100	0.18	3

Size **00** Rated Voltage **AC 1000 V** Metal Gripping-Lugs with Top Indicator Standard **IEC 60269-2**

Rated Current [A]	Part No.	Weight [kg/1]	Pack
125	20 389 08.125	0.28	3
160	20 389 08.160	0.28	3



20 386 08

20 389 08

A _{max.}	3.39" (86 mm)
B	0.60" (15 mm)
C	3.07" (78 mm)
D	0.80" (20.5 mm)
E	1.60" (40.5 mm)
F	0.24" (6 mm)
G	1.38" (35 mm)
H	2.05" (52 mm)
I	0.28" (7 mm)
L	4.33" (110 mm)

A _{max.}	3.66" (93 mm)
B	0.60" (15 mm)
C	3.35" (85 mm)
D	1.16" (29.5 mm)
E	1.81" (46 mm)
F	0.24" (6 mm)
G	1.38" (35 mm)
H	2.28" (58 mm)
I	0.50" (13 mm)
L	4.61" (117 mm)



Low Voltage Fuses

European NH Knife-Blade Fuse System

gTr

Transformer
Protection

Size **2** Rated Voltage **AC 400 V** Metal Gripping-Lugs with Combi Indicator Standard **VDE 0636/2011**

Rated Current [A]	Rated Transformer Capacity [kVA]	Part No.	Weight [kg/1]	Pack
72	50	20 004 15.72	0.65	3
108	75	20 004 15.108	0.65	3
144	100	20 004 15.144	0.65	3
180	125	20 004 15.180	0.65	3
231	160	20 004 15.231	0.65	3
289	200	20 004 15.289	0.65	3
361	250	20 004 15.361	0.65	3

Size **3** Rated Voltage **AC 400 V** Metal Gripping-Lugs with Combi Indicator Standard **VDE 0636/2011**

Rated Current [A]	Rated Transformer Capacity [kVA]	Part No.	Weight [kg/1]	Pack
72	50	20 005 15.72	0.88	3
108	75	20 005 15.108	0.88	3
144	100	20 005 15.144	0.88	3
180	125	20 005 15.180	0.88	3
231	160	20 005 15.231	0.88	3
289	200	20 005 15.289	0.88	3
361	250	20 005 15.361	0.88	3
455	315	20 005 15.455	0.88	3
577	400	20 005 15.577	0.88	3
722	500	20 005 15.722*	0.88	3
909	630	20 005 15.909*	0.88	3

* with top indicator

Dimensions see Page NH 25



Low Voltage Fuses
European NH Knife-Blade Fuse System

gTr Transformer Protection

Size **4a** Rated Voltage **AC 400 V** Standard **VDE 0636/2011**
Metal Gripping-Lugs with Top Indicator

Rated Current [A]	Rated Transformer Capacity [kVA]	Part No.	Weight [kg/1]	Pack
72	50	20 120 15.72	3.0	1
108	75	20 120 15.108	3.0	1
144	100	20 120 15.144	3.0	1
180	125	20 120 15.180	3.0	1
231	160	20 120 15.231	3.0	1
289	200	20 120 15.289	3.0	1
361	250	20 120 15.361	3.0	1
455	315	20 120 15.455	3.0	1
577	400	20 120 15.577	3.0	1
722	500	20 120 15.722	3.0	1
909	630	20 120 15.909	3.0	1
1 155	800	20 120 15.1155	3.0	1
1 443	1 000	20 120 15.1443	3.0	1

20 004 15

A _{max.}	2.95" (75 mm)
B	1.02" (26 mm)
C	2.56" (65 mm)
D	2.10" (53 mm)
E	2.32" (59 mm)
F	0.24" (6 mm)
G	1.90" (48 mm)
H	2.83" (72 mm)
I	0.55" (14 mm)
L	5.90" (150 mm)

20 005 15
≤ 577 A

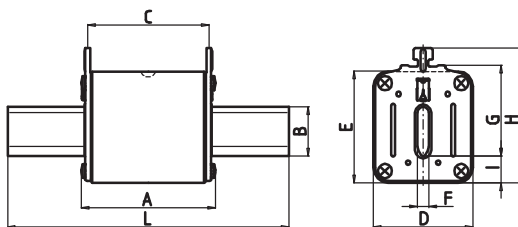
A _{max.}	2.95" (75 mm)
B	1.26" (32 mm)
C	2.56" (65 mm)
D	2.56" (65 mm)
E	2.90" (73.5 mm)
F	0.24" (6 mm)
G	2.36" (60 mm)
H	3.40" (86 mm)
I	0.67" (17 mm)
L	5.90" (150 mm)

20 005 15
> 577 A

A _{max.}	2.95" (75 mm)
B	1.26" (32 mm)
C	2.56" (65 mm)
D	2.87" (73 mm)
E	2.87" (73 mm)
F	0.24" (6 mm)
G	2.36" (60 mm)
H	3.40" (86 mm)
I	0.63" (16 mm)
L	5.90" (150 mm)

20 120 15

A _{max.}	3.94" (100 mm)
B	1.97" (50 mm)
C	3.43" (87 mm)
D	3.94" (100 mm)
E	4.25" (108 mm)
F	0.24" (6 mm)
G	3.35" (85 mm)
H	4.84" (123 mm)
I	1.10" (28 mm)
L	7.87" (200 mm)





Low Voltage Fuses

European NH Knife-Blade Fuse System

gTF

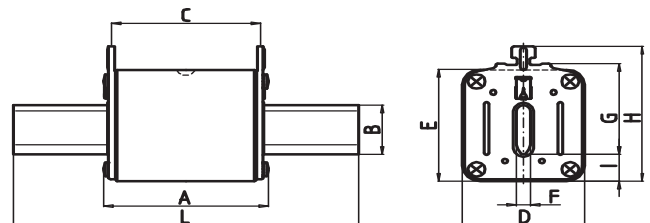
General
Applikation

Size **3** Rated Voltage **AC 1500 V** **Metal Gripping-Lugs**

Rated Current [A]	Part No.	Weight [kg/1]	Pack
6	20 246 02.6	1.35	1
10	20 246 02.10	1.35	1
16	20 246 02.16	1.35	1
20	20 246 02.20	1.35	1
25	20 246 02.25	1.35	1
36	20 246 02.36	1.35	1
50	20 246 02.50	1.35	1
63	20 246 02.63	1.35	1
80	20 246 02.80	1.35	1
100	20 246 02.100	1.35	1
125	20 246 02.125	1.35	1
160	20 246 02.160	1.35	1
200	20 246 02.200	1.35	1
250	20 246 02.250	1.35	1
315	20 246 02.315	1.35	1

20 246 02

- A** 5.12" (130 mm)
- B** 1.26" (32 mm)
- C** 4.72" (120 mm)
- D** 2.40" (61 mm)
- E** 2.72" (69 mm)
- F** 0.24" (6 mm)
- G** 2.36" (60 mm)
- H** 3.20" (81 mm)
- I** 0.47" (12 mm)
- L** 8.07" (205 mm)



Size 000	Rated Voltage AC 500 V	Operating Class gG	Rated Breaking Capacity 120 kA	Standard IEC 60269-2-1
--------------------	----------------------------------	------------------------------	--	----------------------------------

Rated Current [A]	Part No.	Power Loss [W]	Pre-arcing I ² t-value [A ² s]	Total I ² t-value @ 254 V [A ² s]	Total I ² t-value @ 440 V [A ² s]
6	20 000 13.6 / 20 438 13.6	1.4	36	75	130
10	20 000 13.10 / 20 438 13.10	1.2	230	320	560
16	20 000 13.16 / 20 438 13.16	1.6	420	490	810
20	20 000 13.20 / 20 438 13.20	1.8	760	910	1 480
25	20 000 13.25 / 20 438 13.25	2.3	1 440	1 780	2 890
32	20 000 13.32 / 20 438 13.32	3.1	2 600	3 360	5 630
35	20 000 13.35 / 20 438 13.35	3.8	3 100	4 770	7 610
40	20 000 13.40 / 20 438 13.40	4.0	4 700	6 750	11 300
50	20 000 13.50 / 20 438 13.50	4.0	5 900	8 340	13 600
63	20 000 13.63 / 20 438 13.63	4.5	10 300	16 200	26 400
80	20 000 13.80 / 20 438 13.80	5.4	17 300	27 200	45 500
100	20 000 13.100 / 20 438 13.100	6.5	28 900	45 500	88 600

Size 00	Rated Voltage AC 500 V	Operating Class gG	Rated Breaking Capacity 120 kA	Standard IEC 60269-2-1
-------------------	----------------------------------	------------------------------	--	----------------------------------

Rated Current [A]	Part No.	Power Loss [W]	Pre-arcing I ² t-value [A ² s]	Total I ² t-value @ 254 V [A ² s]	Total I ² t-value @ 440 V [A ² s]
125	20 001 13.125 / 20 439 13.125	8.2	44 400	78 600	127 500
160	20 001 13.160 / 20 439 13.160	11.2	78 500	139 600	226 600

Size 0	Rated Voltage AC 500 V	Operating Class gG	Rated Breaking Capacity 120 kA	Standard IEC 60269-2-1
------------------	----------------------------------	------------------------------	--	----------------------------------

Rated Current [A]	Part No.	Power Loss [W]	Pre-arcing I ² t-value [A ² s]	Total I ² t-value @ 254 V [A ² s]	Total I ² t-value @ 440 V [A ² s]
6	20 002 13.6	1.6	36	75	130
10	20 002 13.10	1.3	230	320	560
16	20 002 13.16	2.0	420	490	810
20	20 002 13.20	2.3	760	910	1 480
25	20 002 13.25	2.8	1 440	1 780	2 890
32	20 002 13.32	3.5	2 600	3 360	5 630
35	20 002 13.35	4.1	3 100	4 770	7 610
40	20 002 13.40	4.1	4 700	6 750	11 300
50	20 002 13.50	5.3	5 900	8 340	13 600
63	20 002 13.63	6.0	10 300	16 200	26 400
80	20 002 13.80	6.9	17 300	27 200	45 500
100	20 002 13.100	8.0	28 900	45 500	88 600
125	20 002 13.125	10.3	44 400	78 600	127 500
160	20 002 13.160	13.5	78 500	139 600	226 600

Size 1	Rated Voltage AC 500 V	Operating Class gG	Rated Breaking Capacity 120 kA	Standard IEC 60269-2-1
------------------	----------------------------------	------------------------------	--	----------------------------------

Rated Current [A]	Part No.	Power Loss [W]	Pre-arcing I ² t-value [A ² s]	Total I ² t-value @ 254 V [A ² s]	Total I ² t-value @ 440 V [A ² s]
16	20 003 13.16 / 20 441 13.16	1.9	420	490	810
20	20 003 13.20 / 20 441 13.20	2.2	760	910	1 480
25	20 003 13.25 / 20 441 13.25	2.6	1 440	1 780	2 890
32	20 003 13.32 / 20 441 13.32	3.5	2 600	3 360	5 630
35	20 003 13.35 / 20 441 13.35	3.9	3 100	4 770	7 610
40	20 003 13.40 / 20 441 13.40	4.3	4 700	6 750	11 300
50	20 003 13.50 / 20 441 13.50	5.1	5 900	8 340	13 600
63	20 003 13.63 / 20 441 13.63	5.8	10 300	16 200	26 400
80	20 003 13.80 / 20 441 13.80	6.5	17 300	27 200	45 500
100	20 003 13.100 / 20 441 13.100	7.8	28 900	45 500	88 600
125	20 003 13.125 / 20 441 13.125	10.0	44 400	78 600	127 500
160	20 003 13.160 / 20 441 13.160	12.8	78 500	139 600	226 600
200	20 003 13.200 / 20 441 13.200	15.0	157 600	248 200	390 900
224	20 003 13.224 / 20 441 13.224	16.2	194 800	297 600	483 400
250	20 003 13.250 / 20 441 13.250	17.9	240 800	368 000	616 000

Size 2	Rated Voltage AC 500 V	Operating Class gG	Rated Breaking Capacity 120 kA	Standard IEC 60269-2-1
------------------	----------------------------------	------------------------------	--	----------------------------------

Rated Current [A]	Part No.	Power Loss [W]	Pre-arcing I ² t-value [A ² s]	Total I ² t-value @ 254 V [A ² s]	Total I ² t-value @ 440 V [A ² s]
35	20 004 13.35 / 20 442 13.35	3.9	3 100	4 770	7 610
40	20 004 13.40 / 20 442 13.40	4.3	4 700	6 750	11 300
50	20 004 13.50 / 20 442 13.50	5.1	5 900	8 340	13 600
63	20 004 13.63 / 20 442 13.63	5.8	10 300	16 200	26 400
80	20 004 13.80 / 20 442 13.80	6.5	17 300	27 200	45 500
100	20 004 13.100 / 20 442 13.100	7.8	28 900	45 500	88 600
125	20 004 13.125 / 20 442 13.125	10.0	44 400	78 600	127 500
160	20 004 13.160 / 20 442 13.160	12.8	78 500	139 600	226 600
200	20 004 13.200 / 20 442 13.200	15.5	157 600	248 200	390 900
224	20 004 13.224 / 20 442 13.224	16.4	194 800	297 600	483 400
250	20 004 13.250 / 20 442 13.250	18.0	240 800	368 000	616 000
315	20 004 13.315 / 20 442 13.315	21.5	513 000	716 000	1 164 000
355	20 004 13.355 / 20 442 13.355	23.7	616 000	859 000	1 483 000
400	20 004 13.400 / 20 442 13.400	29.5	859 000	1 236 000	2 008 000

Size 3	Rated Voltage AC 500 V	Operating Class gG	Rated Breaking Capacity 120 kA	Standard IEC 60269-2-1
------------------	----------------------------------	------------------------------	--	----------------------------------

Rated Current [A]	Part No.	Power Loss [W]	Pre-arcing I ² t-value [A ² s]	Total I ² t-value @ 254 V [A ² s]	Total I ² t-value @ 440 V [A ² s]
315	20 005 13.315 / 20 443 13.315	21.5	513 000	716 000	1 164 000
355	20 005 13.355 / 20 443 13.355	23.7	616 000	859 000	1 483 000
400	20 005 13.400 / 20 443 13.400	29.5	859 000	1 236 000	2 008 000
500	20 005 13.500 / 20 443 13.500	38.0	1 130 000	1 670 000	2 800 000
630	20 005 13.630 / 20 443 13.630	46.0	1 950 000	2 980 000	4 840 000

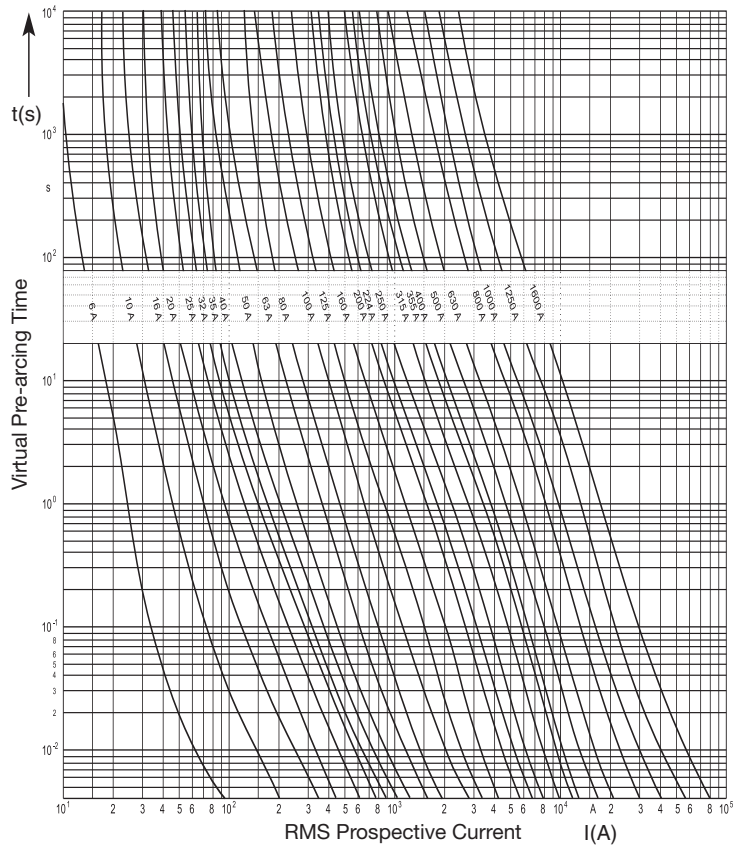
Size 4	Rated Voltage AC 500 V	Operating Class gG	Rated Breaking Capacity 120 kA	Standard IEC 60269-2-1
------------------	----------------------------------	------------------------------	--	----------------------------------

Rated Current [A]	Part No.	Power Loss [W]	Pre-arcing I ² t-value [A ² s]	Total I ² t-value @ 254 V [A ² s]	Total I ² t-value @ 440 V [A ² s]
400	20 006 13.400	26	859 000	1 236 000	2 008 000
500	20 006 13.500	38	1 130 000	1 670 000	2 800 000
630	20 006 13.630	49	1 950 000	2 980 000	4 840 000
800	20 006 13.800	66	3 700 000	5 450 000	8 900 000
1000	20 006 13.1000	78	5 800 000	8 900 000	14 400 000
1250	20 006 13.1250	95	11 000 000	16 200 000	27 200 000
1600	20 228 13.1600	138	14 000 000	20 700 000	33 600 000

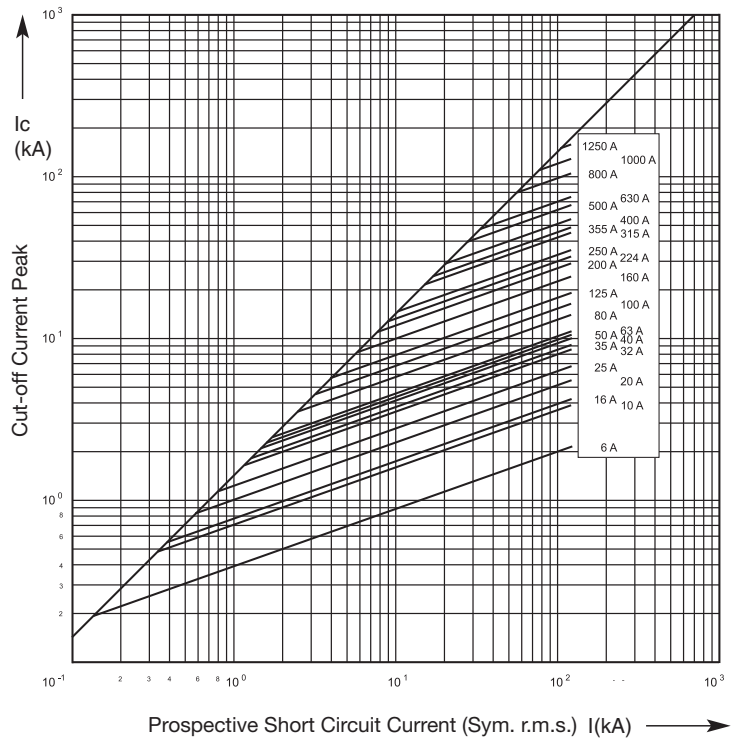
Size 4a	Rated Voltage AC 500 V	Operating Class gG	Rated Breaking Capacity 120 kA	Standard IEC 60269-2-1
-------------------	----------------------------------	------------------------------	--	----------------------------------

Rated Current [A]	Part No.	Power Loss [W]	Pre-arcing I ² t-value [A ² s]	Total I ² t-value @ 254 V [A ² s]	Total I ² t-value @ 440 V [A ² s]
400	20 120 13.400	34	859 000	1 236 000	2 008 000
500	20 120 13.500	41	1 130 000	1 670 000	2 800 000
630	20 120 13.630	49	1 950 000	2 980 000	4 840 000
800	20 120 13.800	70	3 700 000	5 450 000	8 900 000
1000	20 120 13.1000	83	5 800 000	8 900 000	14 400 000
1250	20 120 13.1250	104	11 000 000	16 200 000	27 200 000
1600	20 120 13.1600	138	14 000 000	20 700 000	33 600 000

Time-Current Characteristics Rated Voltage AC 500 V Operating Class gG



Cut-Off Characteristics



Size 000	Rated Voltage AC 690 V	Operating Class gG	Rated Breaking Capacity 120 kA	Standard IEC 60269-2-1
--------------------	----------------------------------	------------------------------	--	----------------------------------

Rated Current [A]	Part No.	Power Loss [W]	Pre-arcing I ² t-value [A ² s]	Total I ² t-value @ 254 V [A ² s]	Total I ² t-value @ 440 V [A ² s]	Total I ² t-value @ 500 V [A ² s]
16	20 477 13.16 / 20 452 13.16	1.9	420	490	810	920
20	20 477 13.20 / 20 452 13.20	2.35	760	910	1 480	1 670
25	20 477 13.25 / 20 452 13.25	2.75	1 440	1 780	2 890	3 270
32	20 477 13.32 / 20 452 13.32	3.6	2 600	3 360	5 630	6 360
35	20 477 13.35 / 20 452 13.35	4	3 100	4 770	7 610	8 600
40	20 477 13.40 / 20 452 13.40	4.4	4 700	6 750	11 300	12 800
50	20 477 13.50 / 20 452 13.50	5	5 900	8 340	13 600	15 300

Size 00	Rated Voltage AC 690 V	Operating Class gG	Rated Breaking Capacity 120 kA	Standard IEC 60269-2-1
-------------------	----------------------------------	------------------------------	--	----------------------------------

Rated Current [A]	Part No.	Power Loss [W]	Pre-arcing I ² t-value [A ² s]	Total I ² t-value @ 254 V [A ² s]	Total I ² t-value @ 440 V [A ² s]	Total I ² t-value @ 500 V [A ² s]
63	20 209 13.63 / 20 453 13.63	5.6	10 300	16 200	26 400	30 700
80	20 209 13.80 / 20 453 13.80	6.3	17 300	27 200	45 500	51 400
100	20 209 13.100 / 20 453 13.100	8.1	28 900	45 500	88 600	97 000
125	20 209 13.125 / 20 453 13.125	10.5	44 400	78 600	127 500	157 600

Size 0	Rated Voltage AC 690 V	Operating Class gG	Rated Breaking Capacity 120 kA	Standard IEC 60269-2-1
------------------	----------------------------------	------------------------------	--	----------------------------------

Rated Current [A]	Part No.	Power Loss [W]	Pre-arcing I ² t-value [A ² s]	Total I ² t-value @ 254 V [A ² s]	Total I ² t-value @ 440 V [A ² s]	Total I ² t-value @ 500 V [A ² s]
16	20 210 13.16	2.1	420	490	810	920
20	20 210 13.20	2.6	760	910	1 480	1 670
25	20 210 13.25	3.0	1 440	1 780	2 890	3 270
32	20 210 13.32	3.7	2 600	3 360	5 630	6 360
35	20 210 13.35	4.3	3 100	4 770	7 610	8 600
40	20 210 13.40	5.0	4 700	6 750	11 300	12 800
50	20 210 13.50	5.6	5 900	8 340	13 600	15 300
63	20 210 13.63	6.5	10 300	16 200	26 400	30 700
80	20 210 13.80	7.6	17 300	27 200	45 500	51 400
100	20 210 13.100	8.9	28 900	45 500	88 600	97 000
125	20 210 13.125	11.4	44 400	78 600	127 500	157 600

Size 1	Rated Voltage AC 690 V	Operating Class gG	Rated Breaking Capacity 120 kA	Standard IEC 60269-2-1
------------------	----------------------------------	------------------------------	--	----------------------------------

Rated Current [A]	Part No.	Power Loss [W]	Pre-arcing I ² t-value [A ² s]	Total I ² t-value @ 254 V [A ² s]	Total I ² t-value @ 440 V [A ² s]	Total I ² t-value @ 500 V [A ² s]
16	20 211 13.16 / 20 455 13.16	2.0	420	490	810	920
20	20 211 13.20 / 20 455 13.20	2.4	760	910	1 480	1 670
25	20 211 13.25 / 20 455 13.25	2.8	1 440	1 780	2 890	3 270
32	20 211 13.32 / 20 455 13.32	3.8	2 600	3 360	5 630	6 360
35	20 211 13.35 / 20 455 13.35	4.2	3 100	4 770	7 610	8 600
40	20 211 13.40 / 20 455 13.40	4.7	4 700	6 750	11 300	12 800
50	20 211 13.50 / 20 455 13.50	5.5	5 900	8 340	13 600	15 300
63	20 211 13.63 / 20 455 13.63	6.3	10 300	16 200	26 400	30 700
80	20 211 13.80 / 20 455 13.80	7.3	17 300	27 200	45 500	51 400
100	20 211 13.100 / 20 455 13.100	8.6	28 900	45 500	88 600	97 000
125	20 211 13.125 / 20 455 13.125	11.0	44 400	78 600	127 500	157 600
160	20 211 13.160 / 20 455 13.160	14.0	78 500	139 600	226 600	280 200
200	20 211 13.200 / 20 455 13.200	16.5	157 600	248 200	390 900	483 400
250	20 211 13.250 / 20 455 13.250	20.1	240 800	368 000	616 000	761 000

Size 2	Rated Voltage AC 690 V	Operating Class gG	Rated Breaking Capacity 120 kA	Standard IEC 60269-2-1
------------------	----------------------------------	------------------------------	--	----------------------------------

Rated Current [A]	Part No.	Power Loss [W]	Pre-arcing I ² t-value [A ² sv]	Total I ² t-value @ 254 V [A ² s]	Total I ² t-value @ 440 V [A ² s]	Total I ² t-value @ 500 V [A ² s]
35	20 212 13.35 / 20 456 13.35	4.2	3 100	4 770	7 610	8 600
40	20 212 13.40 / 20 456 13.40	4.7	4 700	6 750	11 300	12 800
50	20 212 13.50 / 20 456 13.50	5.5	5 900	8 340	13 600	15 300
63	20 212 13.63 / 20 456 13.63	6.3	10 300	16 200	26 400	30 700
80	20 212 13.80 / 20 456 13.80	7.3	17 300	27 200	45 500	51 400
100	20 212 13.100 / 20 456 13.100	8.6	28 900	45 500	88 600	97 000
125	20 212 13.125 / 20 456 13.125	11.0	44 400	78 600	127 500	157 600
160	20 212 13.160 / 20 456 13.160	14.0	78 500	139 600	226 600	280 200
200	20 212 13.200 / 20 456 13.200	16.5	157 600	248 200	390 900	483 400
224	20 212 13.224 / 20 456 13.224	18.1	194.800	297 600	483 400	615 000
250	20 212 13.250 / 20 456 13.250	20.2	240 800	368 000	616 000	761 000
315	20 212 13.315 / 20 456 13.315	24.1	513 000	716 000	1 164 000	1 438 000
355	20 212 13.355	28.6	616 000	859 000	1 483 000	1 725 000
400	20 212 13.400	32.0	859 000	1 236 000	2 008 000	2 558 000

Size 3	Rated Voltage AC 690 V	Operating Class gG	Rated Breaking Capacity 120 kA	Standard IEC 60269-2-1
------------------	----------------------------------	------------------------------	--	----------------------------------

Rated Current [A]	Part No.	Power Loss [W]	Pre-arcing I ² t-value [A ² s]	Total I ² t-value @ 254 V [A ² s]	Total I ² t-value @ 440 V [A ² s]	Total I ² t-value @ 500 V [A ² s]
315	20 213 13.315	24.0	513 000	716 000	1 164 000	1 438 000
355	20 213 13.355	28.5	616 000	859 000	1 483 000	1 725 000
400	20 213 13.400	31.8	859 000	1 236 000	2 008 000	2 558 000
500	20 213 13.500	42.0	1 113 000	1 670 000	2 800 000	3 360 000

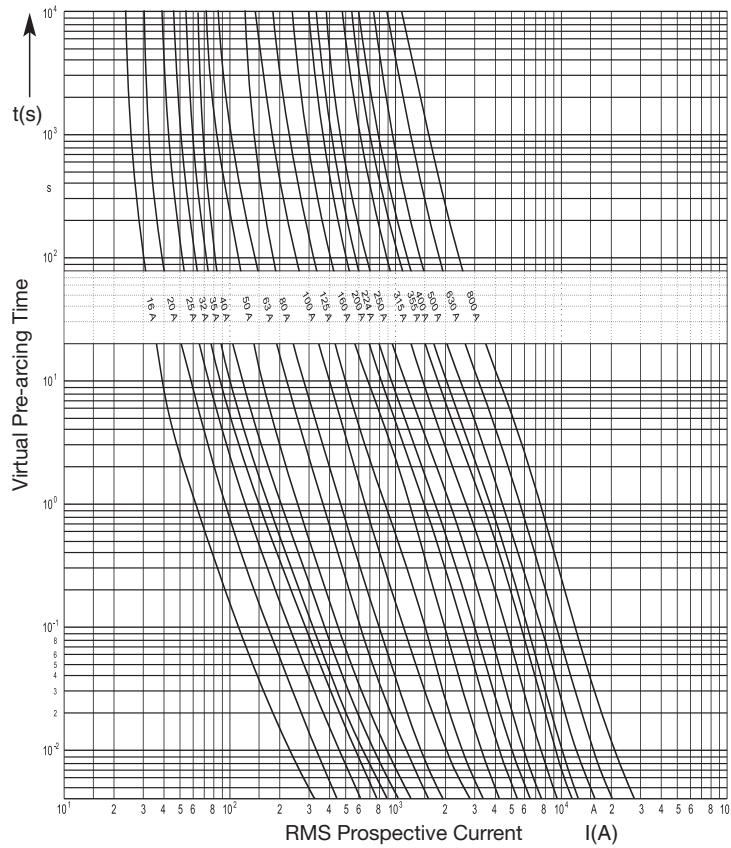
Size 4	Rated Voltage AC 690 V	Operating Class gG	Rated Breaking Capacity 120 kA	Standard IEC 60269-2-1
------------------	----------------------------------	------------------------------	--	----------------------------------

Rated Current [A]	Part No.	Power Loss [W]	Pre-arcing I ² t-value [A ² s]	Total I ² t-value @ 254 V [A ² s]	Total I ² t-value @ 440 V [A ² s]	Total I ² t-value @ 500 V [A ² s]
400	20 225 13.400	32	859 000	1 236 000	2 008 000	2 558 000
500	20 225 13.500	42	1 113 000	1 670 000	2 800 000	3 360 000
630	20 225 13.630	51	1 950 000	2 980 000	4 840 000	6 000 000
800	20 225 13.800	65	3 700 000	5 450 000	8 900 000	11 300 000

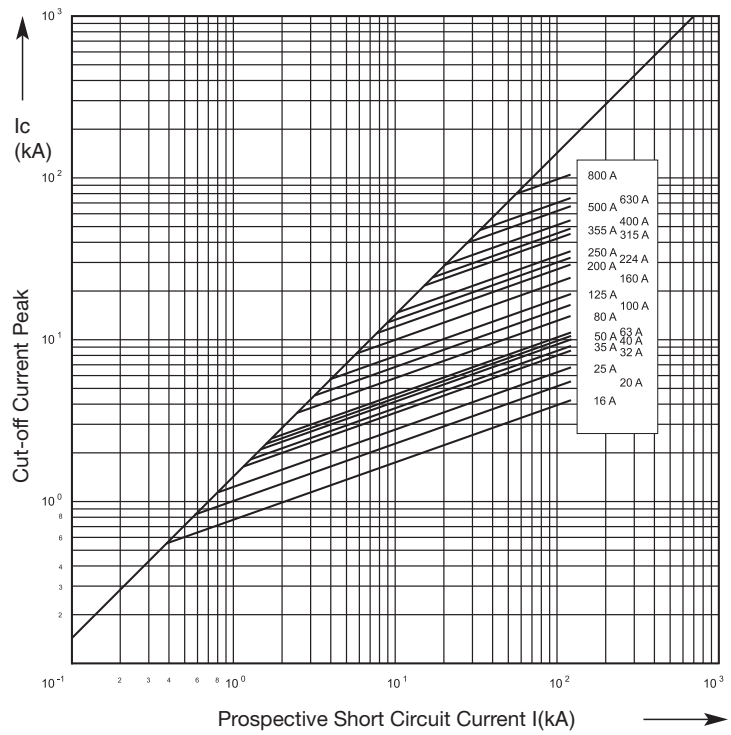
Size 4a	Rated Voltage AC 690 V	Operating Class gG	Rated Breaking Capacity 120 kA	Standard IEC 60269-2-1
-------------------	----------------------------------	------------------------------	--	----------------------------------

Rated Current [A]	Part No.	Power Loss [W]	Pre-arcing I ² t-value [A ² s]	Total I ² t-value @ 254 V [A ² s]	Total I ² t-value @ 440 V [A ² s]	Total I ² t-value @ 500 V [A ² s]
400	20 227 13.400	36	859 000	1 236 000	2 008 000	2 558 000
500	20 227 13.500	44	1 113 000	1 670 000	2 800 000	3 360 000
630	20 227 13.630	56	1 950 000	2 980 000	4 840 000	6 000 000
800	20 227 13.800	70	3 700 000	5 450 000	8 900 000	11 300 000

Time-Current Characteristics Rated Voltage AC 690 V Operating Class gG



Cut-Off Characteristics



Size 000	Rated Voltage AC 1000 V	Operating Class gB	Rated Breaking Capacity 25 kA
--------------------	-----------------------------------	------------------------------	---

Rated Current [A]	Part No.	Pre-arcing I ² t-value [A ² s]	Total I ² t-value @ 760 V [A ² s]
6	20 386 03.6	6	18
10	20 386 03.10	31	93
16	20 386 03.16	83	250
20	20 386 03.20	145	435
25	20 386 03.25	210	630
35	20 386 03.35	440	1 320
50	20 386 03.50	870	2 610
63	20 386 03.63	1 350	4 050
80	20 386 03.80	2 300	6 900
100	20 386 03.100	3 300	9 900

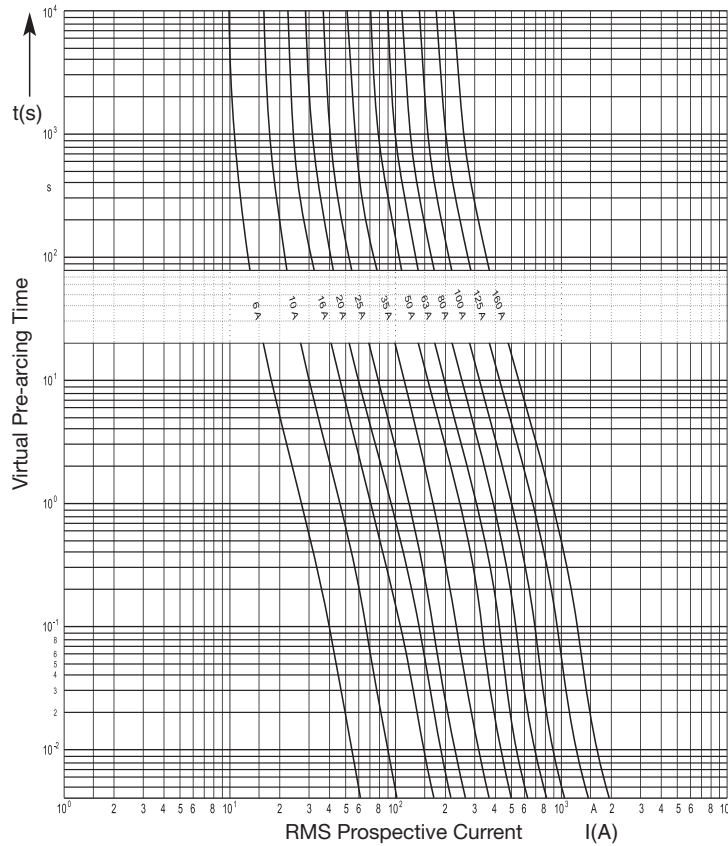
Size 00	Rated Voltage AC 1000 V	Operating Class gB	Rated Breaking Capacity 25 kA
-------------------	-----------------------------------	------------------------------	---

Rated Current [A]	Part No.	Pre-arcing I ² t-value [A ² s]	Total I ² t-value @ 760 V [A ² s]
6	20 389 03.6	6	18
10	20 389 03.10	31	93
16	20 389 03.16	83	250
20	20 389 03.20	145	435
25	20 389 03.25	210	630
35	20 389 03.35	440	1 320
50	20 389 03.50	870	2 610
63	20 389 03.63	1 350	4 050
80	20 389 03.80	2 300	6 900
100	20 389 03.100	3 300	9 900
125	20 389 03.125	4 700	14 100
160	20 389 03.160	8 300	24 900

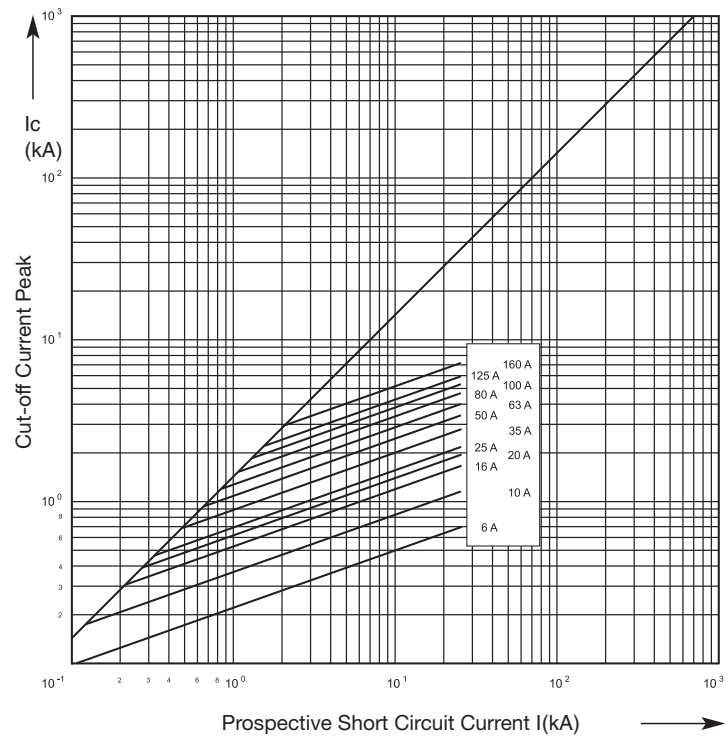
Time-Current Characteristics

Rated Voltage AC 1000 V

Operating Class gB



Cut-Off Characteristics



Size 000	Rated Voltage AC 690 V	Operating Class aM	Rated Breaking Capacity 120 kA	Standard IEC 60269-2
--------------------	----------------------------------	------------------------------	--	--------------------------------

Rated Current [A]	Part No.	Power Loss [W]	Pre-arcing I ² t-value [A ² s]	Total I ² t-value @ 254 V [A ² s]	Total I ² t-value @ 440 V [A ² s]	Total I ² t-value @ 500 V [A ² s]
16	20 477 08.16	0.8	476	780	950	1 280
20	20 477 08.20	1.0	921	1 500	1 850	2 500
25	20 477 08.25	1.4	1 441	2 400	2 880	3 900
35	20 477 08.35	1.8	2 820	4 700	5 640	7 600
50	20 477 08.50	2.4	7 290	12 000	14 600	19 700

Size 00	Rated Voltage AC 690 V	Operating Class aM	Rated Breaking Capacity 120 kA	Standard IEC 60269-2
-------------------	----------------------------------	------------------------------	--	--------------------------------

Rated Current [A]	Part No.	Power Loss [W]	Pre-arcing I ² t-value [A ² s]	Total I ² t-value @ 254 V [A ² s]	Total I ² t-value @ 440 V [A ² s]	Total I ² t-value @ 500 V [A ² s]
63	20 209 08.63	3.2	10 400	17 200	20 800	28 100
80	20 209 08.80	4.2	17 800	29 400	35 600	48 100
100	20 209 08.100	5.2	29 100	48 000	58 200	78 600
125	20 209 08.125	6.6	46 700	77 000	93 400	126 000

Size 0	Rated voltage AC 690 V	Operating class aM	Rated breaking capacity 120 kA	Standard IEC 60269-2
------------------	----------------------------------	------------------------------	--	--------------------------------

Rated Current [A]	Part No.	Power Loss [W]	Pre-arcing I ² t-value [A ² s]	Total I ² t-value @ 254 V [A ² s]	Total I ² t-value @ 440 V [A ² s]	Total I ² t-value @ 500 V [A ² s]
16	20 210 08.16	1.1	476	780	950	1 280
20	20 210 08.20	1.2	921	1 500	1 850	2 500
25	20 210 08.25	1.5	1 441	2 400	2 880	3 900
35	20 210 08.35	2.3	2 820	4 700	5 640	7 600
50	20 210 08.50	2.6	7 290	12 000	14 600	19 700
63	20 210 08.63	4.0	10 400	17 200	20 800	28 100
80	20 210 08.80	5.1	17 800	29 400	35 600	48 100
100	20 210 08.100	6.4	29 100	48 000	58 200	78 600
125	20 210 08.125	8.1	46 700	77 000	93 400	126 000
160	20 210 08.160	10.7	74 600	124 000	149 000	202 000

Size 1	Rated Voltage AC 690 V	Operating Class aM	Rated Breaking Capacity 120 kA	Standard IEC 60269-2
------------------	----------------------------------	------------------------------	--	--------------------------------

Rated Current [A]	Part No.	Power Loss [W]	Pre-arcing I ² t-value [A ² s]	Total I ² t-value @ 254 V [A ² s]	Total I ² t-value @ 440 V [A ² s]	Total I ² t-value @ 500 V [A ² s]
16	20 211 08.16	1.0	476	780	950	1 280
20	20 211 08.20	1.1	921	1 500	1 850	2 500
25	20 211 08.25	1.4	1 441	2 400	2 880	3 900
35	20 211 08.35	2.1	2 820	4 700	5 640	7 600
50	20 211 08.50	2.4	7 290	12 000	14 600	19 700
63	20 211 08.63	3.8	10 400	17 200	20 800	28 100
80	20 211 08.80	4.8	17 800	29 400	35 600	48 100
100	20 211 08.100	6.1	29 100	48 000	58 200	78 600
125	20 211 08.125	7.8	46 700	77 000	93 400	126 000
160	20 211 08.160	10.4	74 600	124 000	149 000	202 000
200	20 211 08.200	13.7	111 000	183 000	222 000	300 000
224	20 211 08.224	16.0	132 000	218 000	264 000	357 000
250	20 211 08.250	18.2	167 000	276 000	334 000	451 000

Size 2	Rated Voltage AC 690 V	Operating Class aM	Rated Breaking Capacity 120 kA	Standard IEC 60269-2
------------------	----------------------------------	------------------------------	--	--------------------------------

Rated Current [A]	Part No.	Power Loss [W]	Pre-arcing I ² t-value [A ² s]	Total I ² t-value @ 254 V [A ² s]	Total I ² t-value @ 440 V [A ² s]	Total I ² t-value @ 500 V [A ² s]
35	20 212 08.35	2.3	2 820	4 700	5 640	7 600
50	20 212 08.50	3.1	7 290	12 000	14 600	19 700
63	20 212 08.63	4.2	10 400	17 200	20 800	28 100
80	20 212 08.80	5.3	17 800	29 400	35 600	48 100
100	20 212 08.100	6.7	29 100	48 000	58 200	78 600
125	20 212 08.125	8.5	46 700	77 000	93 400	126 000
160	20 212 08.160	11.4	74 600	124 000	149 000	202 000
200	20 212 08.200	15.1	111 000	183 000	222 000	300 000
224	20 212 08.224	17.6	132 000	218 000	264 000	357 000
250	20 212 08.250	20.0	167 000	276 000	334 000	451 000
315	20 212 08.315	23.9	298 000	492 000	596 000	805 000
355	20 212 08.355	25.0	446 000	740 000	892 000	1 210 000
400	20 212 08.400	27.3	623 000	1 030 000	1 246 000	1 680 000

Size 3	Rated Voltage AC 690 V	Operating Class aM	Rated Breaking Capacity 120 kA	Standard IEC 60269-2
------------------	----------------------------------	------------------------------	--	--------------------------------

Rated Current [A]	Part No.	Power Loss [W]	Pre-arcing I ² t-value [A ² s]	Total I ² t-value @ 254 V [A ² s]	Total I ² t-value @ 440 V [A ² s]	Total I ² t-value @ 500 V [A ² s]
315	20 213 08.315	24.5	298 000	492 000	596 000	805 000
400	20 213 08.400	28.0	623 000	1 030 000	1 246 000	1 680 000
500	20 213 08.500	34.5	829 000	1 370 000	1 658 000	2 240 000
630	20 213 08.630	39.7	1 470 000	2 245 000	2 940 000	3 970 000

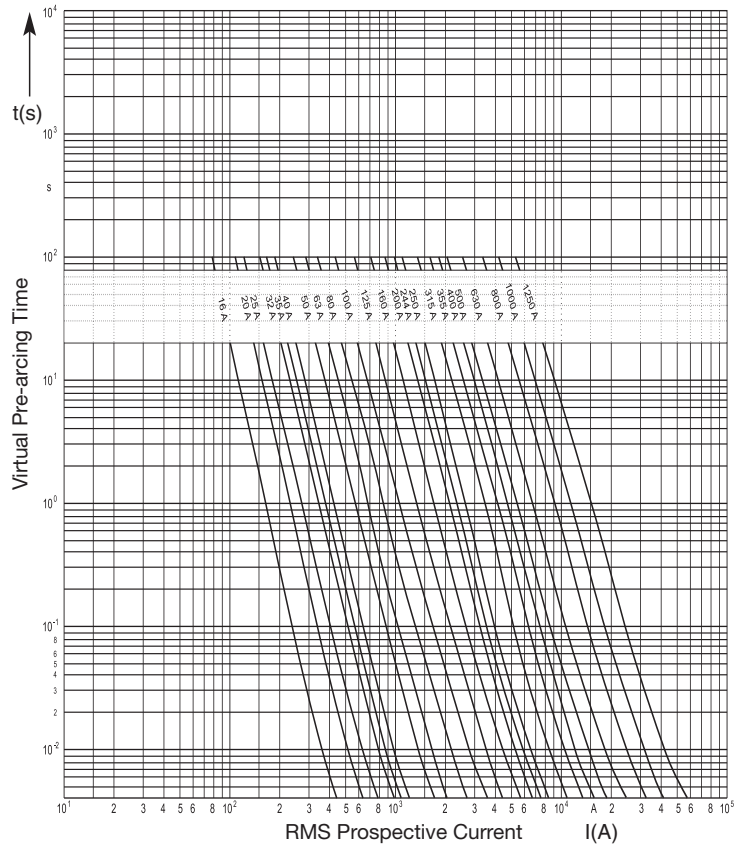
Size 4	Rated Voltage AC 690 V	Operating Class aM	Rated Breaking Capacity 120 kA	Standard IEC 60269-2
------------------	----------------------------------	------------------------------	--	--------------------------------

Rated Current [A]	Part No.	Power Loss [W]	Pre-arcing I ² t-value [A ² s]	Total I ² t-value @ 254 V [A ² s]	Total I ² t-value @ 440 V [A ² s]	Total I ² t-value @ 500 V [A ² s]
400	20 225 08.400	31	623 000	1 030 000	1 246 000	1 680 000
500	20 225 08.500	40	829 000	1 370 000	1 658 000	2 240 000
630	20 225 08.630	48	1 470 000	2 245 000	2 940 000	3 970 000
800	20 225 08.800	58	2 780 000	4 590 000	5 560 000	7 510 000
1000	20 225 08.1000	71	4 510 000	7 460 000	9 020 000	12 200 000

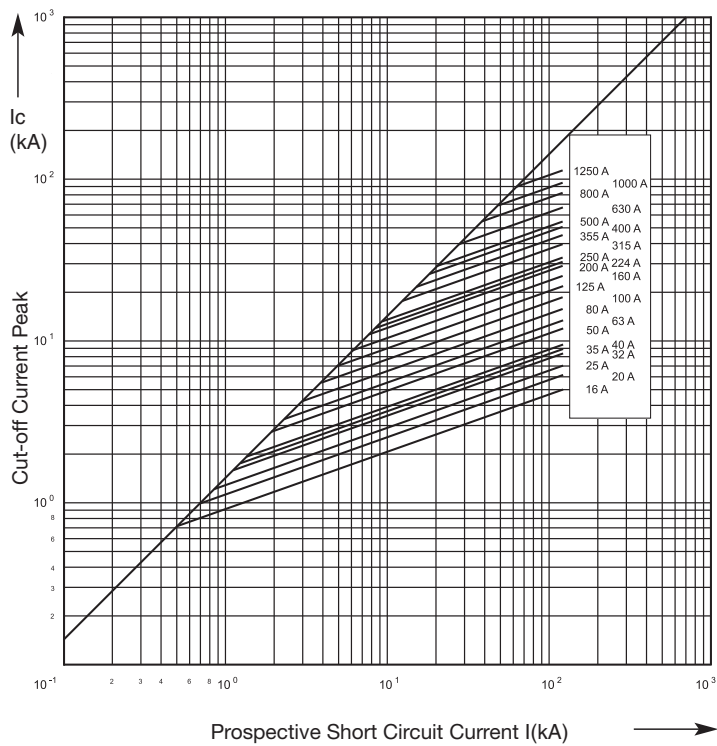
Size 4a	Rated Voltage AC 690 V	Operating Class aM	Rated Breaking Capacity 120 kA	Standard IEC 60269-2
-------------------	----------------------------------	------------------------------	--	--------------------------------

Rated Current [A]	Part No.	Power Loss [W]	Pre-arcing I ² t-value [A ² s]	Total I ² t-value @ 254 V [A ² s]	Total I ² t-value @ 440 V [A ² s]	Total I ² t-value @ 500 V [A ² s]
400	20 227 08.400	34	623 000	1 030 000	1 246 000	1 680 000
500	20 227 08.500	44	829 000	1 370 000	1 658 000	2 240 000
630	20 227 08.630	53	1 470 000	2 245 000	2 940 000	3 970 000
800	20 227 08.800	64	2 780 000	4 590 000	5 560 000	7 510 000
1000	20 227 08.1000	78	4 510 000	7 460 000	9 020 000	12 200 000

Time-Current Characteristics Rated Voltage AC 690 V Operating Class aM



Cut-Off Characteristics



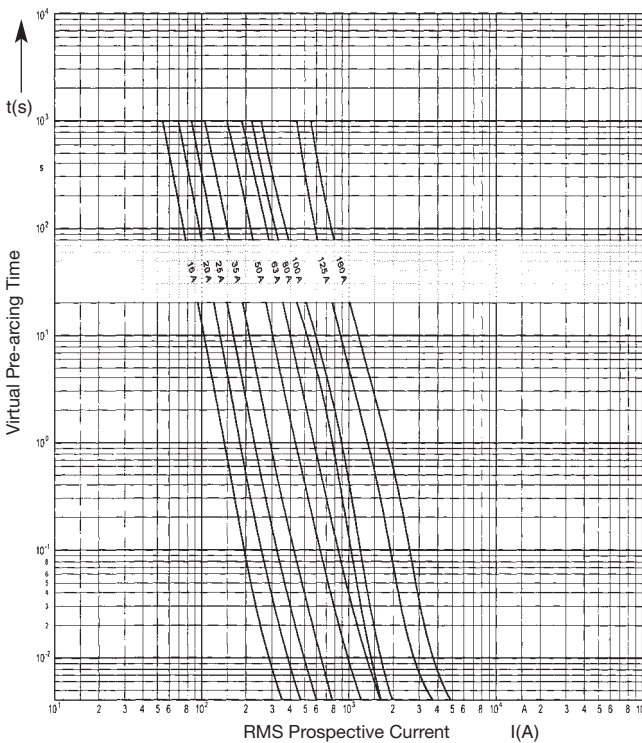
Size 000	Rated Voltage AC 1000 V	Operating Class aM	Rated Breaking Capacity 25 kA	Standard IEC 60269-2
--------------------	-----------------------------------	------------------------------	---	--------------------------------

Rated Current [A]	Part No.	Pre-arcing I ² t-value [A ² s]	Total I ² t-value @ 760 V [A ² s]
16	20 386 08.16	520	2 100
20	20 386 08.20	930	3 700
25	20 386 08.25	1 450	5 800
35	20 386 08.35	2 450	9 800
50	20 386 08.50	5 500	22 000
63	20 386 08.63	10 500	42 000
80	20 386 08.80	13 000	52 000
100	20 386 08.100	19 000	76 000

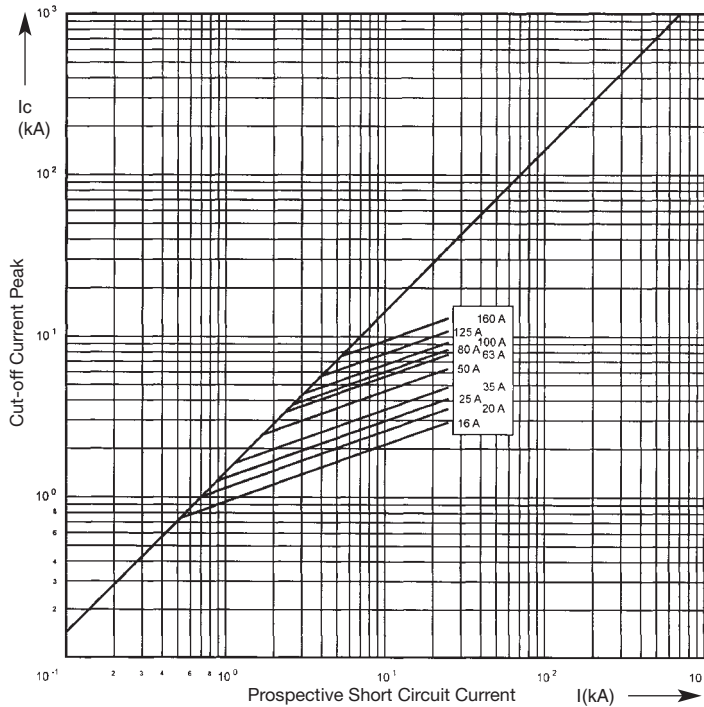
Size 00	Rated Voltage AC 1000 V	Operating Class aM	Rated Breaking Capacity 25 kA	Standard IEC 60269-2
-------------------	-----------------------------------	------------------------------	---	--------------------------------

Rated Current [A]	Part No.	Pre-arcing I ² t-value [A ² s]	Total I ² t-value @ 760 V [A ² s]
125	20 389 08.125	30 000	120 000
160	20 389 08.160	53 000	212 000

Time-Current Characteristics



Cut-Off Characteristics



Size 2	Rated Voltage AC 400 V	Operating Class gTr	Rated Breaking Capacity 100 kA	Standard VDE 0636/2011
------------------	----------------------------------	-------------------------------	--	----------------------------------

Rated Current [A]	Rated Transformer Capacity [kVA]	Part No.	Power Loss [W]	Pre-arcing I ² t-value [A ² s]	Total I ² t-value @ 254 V [A ² s]	Total I ² t-value @ 400 V [A ² s]
72	50	20 004 15.72	8.5	6 950	10 950	15 800
108	75	20 004 15.108	11.0	18 900	30 700	44 000
144	100	20 004 15.144	13.0	35 700	58 000	84 000
180	125	20 004 15.180	15.0	76 000	124 000	173 000
231	160	20 004 15.231	17.5	139 600	227 000	326 000
289	200	20 004 15.289	21.5	226 600	368 000	514 000
361	250	20 004 15.361	26.5	415 400	695 000	970 000

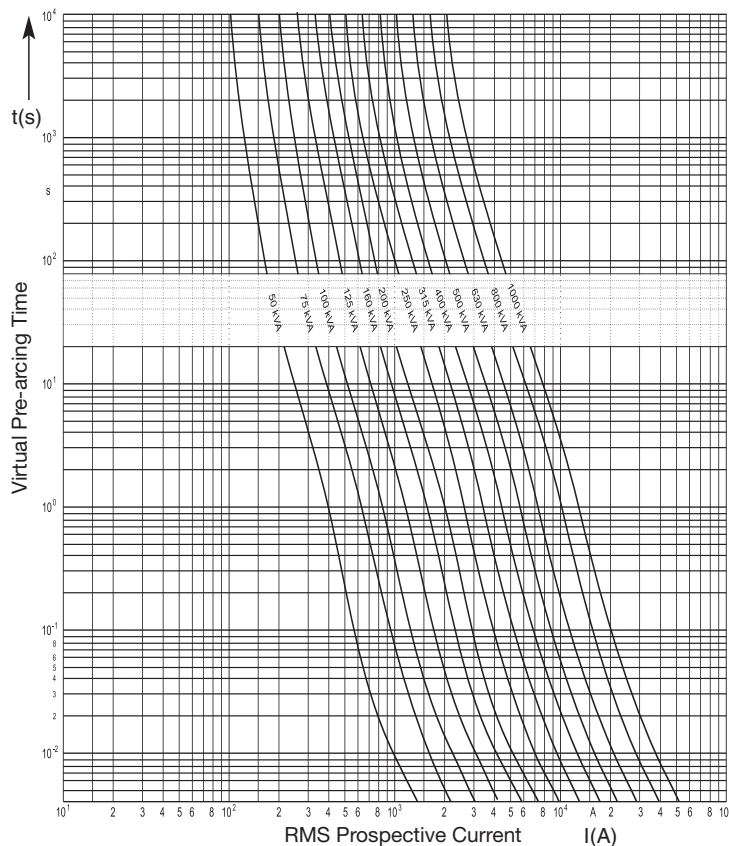
Size 3	Rated Voltage AC 400 V	Operating Class gTr	Rated Breaking Capacity 100 kA	Standard VDE 0636/2011
------------------	----------------------------------	-------------------------------	--	----------------------------------

Rated Current [A]	Rated Transformer Capacity [kVA]	Part No.	Power Loss [W]	Pre-arcing I ² t-value [A ² s]	Total I ² t-value @ 254 V [A ² s]	Total I ² t-value @ 400 V [A ² s]
72	50	20 005 15.72	8.5	6 950	10 950	15 800
108	75	20 005 15.108	11.0	18 900	30 700	44 000
144	100	20 005 15.144	13.0	35 700	58 000	84 000
180	125	20 005 15.180	15.0	76 000	124 000	173 000
231	160	20 005 15.231	16.8	139 600	227 000	326 000
289	200	20 005 15.289	20.7	226 600	368 000	514 000
361	250	20 005 15.361	25.5	415 400	695 000	970 000
455	315	20 005 15.455	31.0	738 600	1 200 000	1 674 000
577	400	20 005 15.577	36.0	1 247 000	2 133 000	2 976 000
722	500	20 005 15.722	49.0	2 199 000	3 570 000	4 982 000
909	630	20 005 15.909	69.0	3 910 000	6 348 000	9 000 000

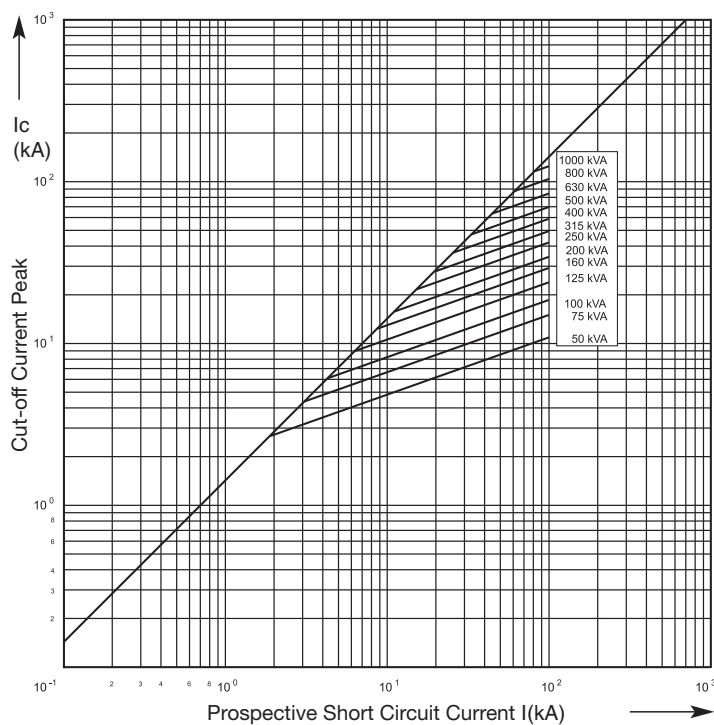
Size 4a	Rated Voltage AC 400 V	Operating Class gTr	Rated Breaking Capacity 100 kA	Standard VDE 0636/2011
-------------------	----------------------------------	-------------------------------	--	----------------------------------

Rated Current [A]	Rated Transformer Capacity [kVA]	Part No.	Power Loss [W]	Pre-arcing I ² t-value [A ² s]	Total I ² t-value @ 254 V [A ² s]	Total I ² t-value @ 400 V [A ² s]
72	50	20 120 15.72	8.5	6 950	10 950	15 800
108	75	20 120 15.108	11.0	18 900	30 700	44 000
144	100	20 120 15.144	13.0	35 700	58 000	84 000
180	125	20 120 15.180	15.0	76 000	124 000	173 000
231	160	20 120 15.231	17.5	139 600	227 000	326 000
289	200	20 120 15.289	21.5	226 600	368 000	514 000
361	250	20 120 15.361	27.0	415 400	695 000	970 000
455	315	20 120 15.455	33.0	738 600	1 200 000	1 674 000
577	400	20 120 15.577	38.0	1 247 000	2 133 000	2 976 000
722	500	20 120 15.722	51.0	2 199 000	3 570 000	4 982 000
909	630	20 120 15.909	72.0	3 910 000	6 348 000	9 000 000
1155	800	20 120 15.1155	86.0	7 613 000	12 362 000	16 737 000
1443	1000	20 120 15.1443	110.0	13 135 000	21 330 000	29 770 000

Time-Current Characteristics Rated Voltage AC 400 V Operating Class gTr



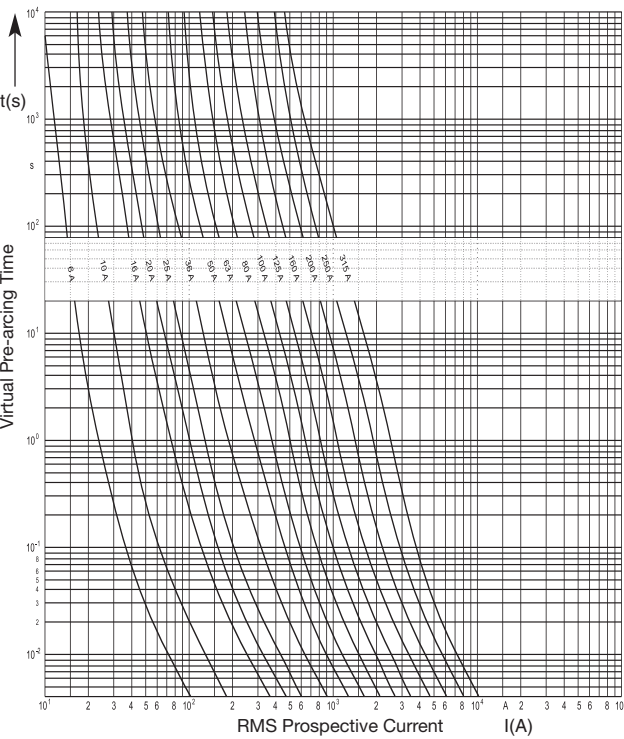
Cut-Off Characteristics



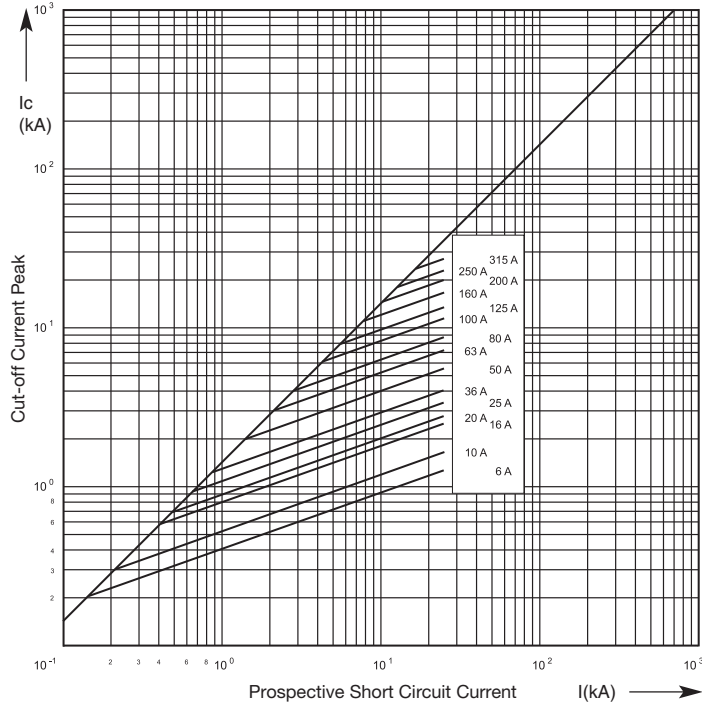
Size **3** Rated Voltage **AC 1500 V** Operating Class **gTF** Rated Breaking Capacity **25 kA**

Rated Current [A]	Part No.	Pre-arcing I ² t-value [A ² s]	Total I ² t-value @ 760 V [A ² s]	Total I ² t-value @ 1200 V [A ² s]
6	20 246 02.6	40	160	240
10	20 246 02.10	90	360	540
16	20 246 02.16	320	1 300	1 900
20	20 246 02.20	460	1 900	2 800
25	20 246 02.25	850	3 400	5 100
36	20 246 02.36	1 440	5 760	8 600
50	20 246 02.50	3 800	15 200	22 700
63	20 246 02.63	9 000	36 000	53 600
80	20 246 02.80	15 200	60 800	90 500
100	20 246 02.100	36 000	144 000	215 000
125	20 246 02.125	61 000	244 000	362 000
160	20 246 02.160	117 000	468 000	695 000
200	20 246 02.200	208 000	832 000	1 234 000
250	20 246 02.250	324 000	1 296 000	1 928 000
315	20 246 02.315	548 000	2 192 000	3 258 000

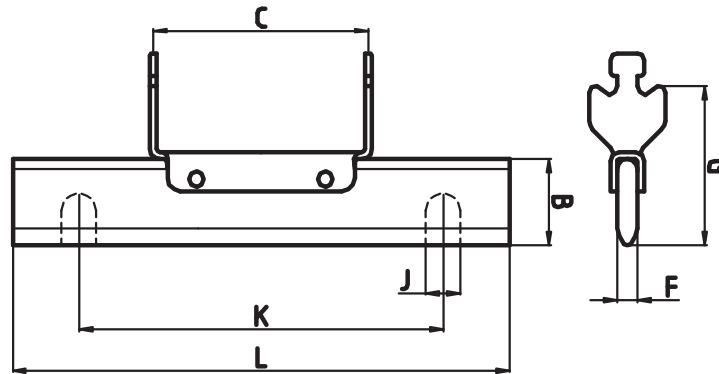
Time-Current Characteristics



Cut-Off Characteristics



Knife-Links Sizes **00 - 4a** Rated Voltage **AC 690 V** Standard **DIN 43620**



Size 00
Part No.
24 001 02
24 080 02 ¹

B	0.60" (15 mm)
C	1.90" (48 mm)
F	0.24" (6 mm)
G	1.38" (35 mm)
J	-
K	-
L	3.07" (78 mm)

Size 0
Part No.
24 002 02
24 176 02 ¹

B	0.60" (15 mm)
C	2.56" (65 mm)
F	0.24" (6 mm)
G	1.46" (37 mm)
J	-
K	-
L	4.92" (125 mm)

Size 1
Part No.
24 003 02
24 158 02 ¹

B	0.80" (20 mm)
C	2.56" (65 mm)
F	0.24" (6 mm)
G	1.65" (42 mm)
J	-
K	-
L	5.30" (135 mm)

Size 2
Part No.
24 004 02
24 159 02 ¹

B	0.60" (15 mm)
C	1.90" (48 mm)
F	0.24" (6 mm)
G	1.38" (35 mm)
J	-
K	-
L	3.07" (78 mm)

Size 3
Part No.
24 005 02
24 160 02 ¹

B	1.02" (26 mm)
C	2.56" (65 mm)
F	0.24" (6 mm)
G	2.13" (54 mm)
J	-
K	-
L	5.90" (150 mm)

Size 4
Part No.
24 006 02

B	1.97" (50 mm)
C	2.56" (65 mm)
F	0.30" (8 mm)
G	3.35" (85 mm)
J	0.63" (16 mm)
K	5.90" (150 mm)
L	7.87" (200 mm)

Size 4a
Part No.
24 006 07

B	1.97" (50 mm)
C	3.43" (87 mm)
F	0.24" (6 mm)
G	3.35" (85 mm)
J	-
K	-
L	7.87" (200 mm)

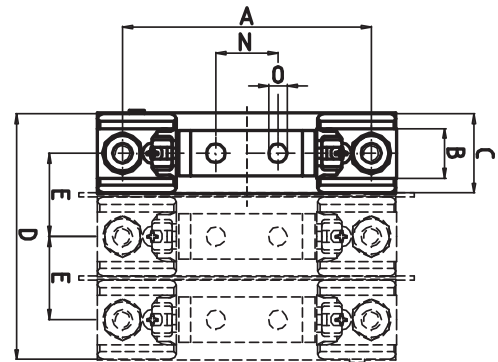
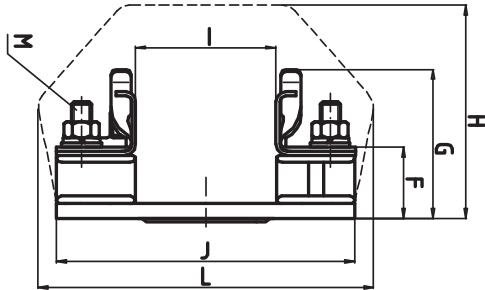
¹ Insulated Gripping-Lugs

Fuse-Bases 1 pole Size **000 + 00** Rated Voltage **AC 690 V** Standard **DIN 43620**

Rated Current [A]	Part No.	Weight [kg/1]	Pack
160	21 001 01	0.26	3

Part No.
21 001 01

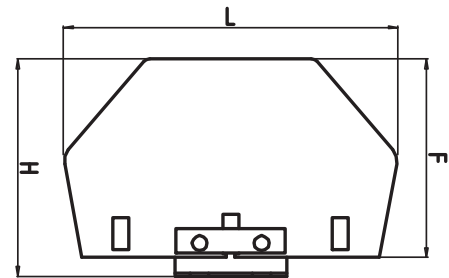
- A** 3.94" (100 mm)
- B** 0.80" (20 mm)
- C** 1.26" (32 mm)
- D** 3.90" (99 mm)
- E** 1.32" (33.5 mm)
- F** 1.14" (29 mm)
- G** 2.32" (59 mm)
- H** 3.40" (86 mm)
- I** 2.24" (57 mm)
- J** 4.72" (120 mm)
- L** 5.30" (135 mm)
- M** M 8
- N** 0.98" (25 mm)
- O** 0.30" (7.5 mm)



External Wall Size **000 + 00** Standard **DIN 43620**

Part No.
25 001 01

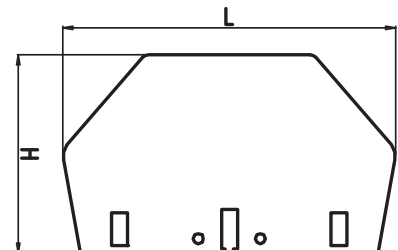
- F** 3.15" (80 mm)
- H** 3.40" (86 mm)
- L** 5.30" (135 mm)



Partition Wall Size **000 + 00** Standard **DIN 43620**

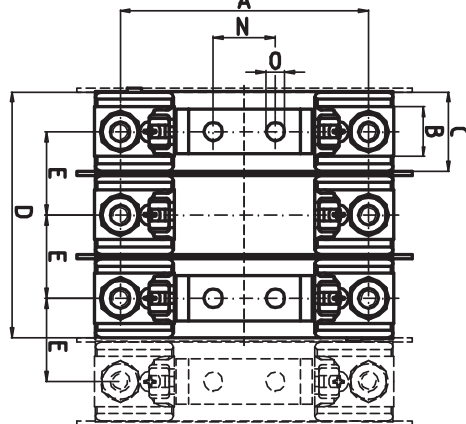
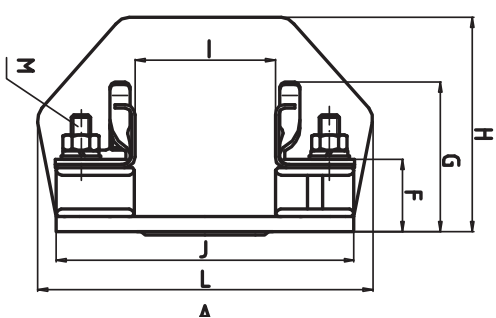
Part No.
25 001 03-2

- H** 3.15" (80 mm)
- L** 5.30" (135 mm)



Fuse-Bases 3 pole Size **000 + 00** Rated Voltage **AC 690 V** Standard **DIN 43620**

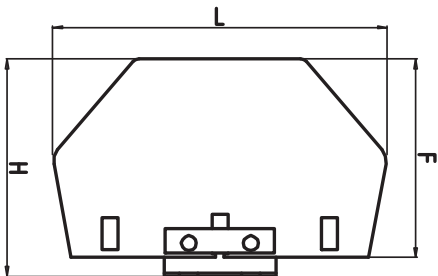
Rated Current [A]	Part No.	Weight [kg/1]	Pack
160	21 001 03	0.81	1



Part No.
21 001 03

A	3.94" (100 mm)
B	0.80" (20 mm)
C	1.26" (32 mm)
D	3.90" (99 mm)
E	1.32" (33.5 mm)
F	1.14" (29 mm)
G	2.32" (59 mm)
H	3.40" (86 mm)
I	2.24" (57 mm)
J	4.72" (120 mm)
L	5.30" (135 mm)
M	M 8
N	0.98" (25 mm)
O	0.30" (7.5 mm)

External Wall Size **000 + 00** Standard **DIN 43620**



Part No.
25 001 01

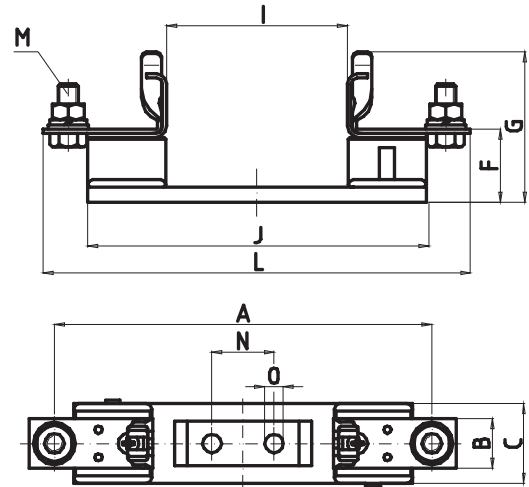
F	3.15" (80 mm)
H	3.40" (86 mm)
L	5.30" (135 mm)

Fuse-Bases 1 pole Size **0** Rated Voltage **AC 690 V** Standard **DIN 43620**

Rated Current [A]	Part No.	Weight [kg/1]	Pack
160	21 002 04	0.44	1

Part No.
21 002 04

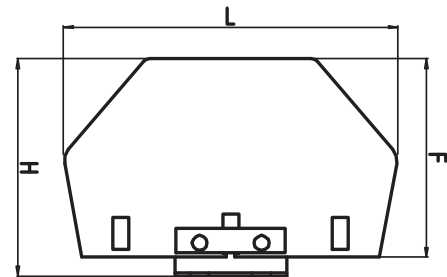
A	5.98" (152 mm)
B	0.79" (20 mm)
C	1.26" (32 mm)
D	1.14" (29 mm)
G	2.32" (59 mm)
I	2.87" (73 mm)
J	5.35" (136 mm)
L	6.81" (173 mm)
M	M 8
N	0.98" (25 mm)
O	0.30" (7.5 mm)



External Wall Size **0** Standard **DIN 43620**

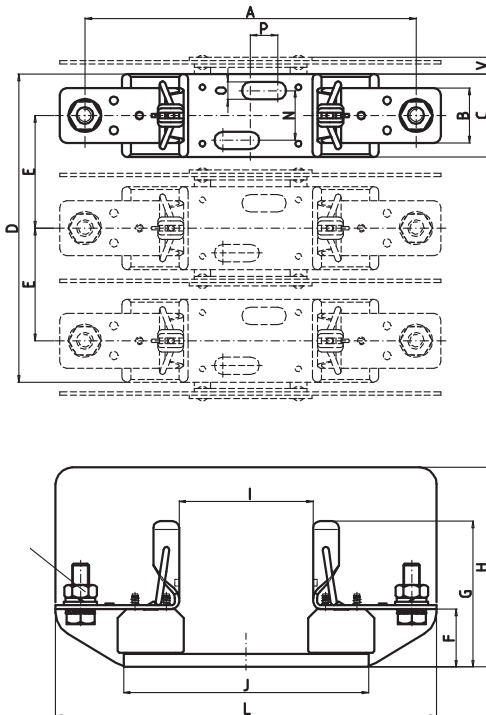
Part No.
25 002 01

F	4.16" (106 mm)
H	4.52" (115 mm)
L	7.85" (200 mm)



Fuse-Bases 1 pole Size **1 - 3** Rated Voltage **AC 690 V** Standard **DIN 43620**

Rated Current [A]	Part No.	Weight [kg/1]	Pack
250	21 003 01	0.72	1
400	21 004 01	0.88	1
630	21 005 01	1.16	1



Size 1
Part No.
21 003 01

A	6.90" (175 mm)
B	1.30" (33 mm)
C	1.97" (50 mm)
D	7.00" (178 mm)
E	2.52" (64 mm)
F	1.38" (35 mm)
G	3.30" (84 mm)
H	4.20" (107 mm)
I	3.15" (80 mm)
J	5.83" (148 mm)
L	7.87" (200 mm)
M	M 10
N	1.18" (30 mm)
O	0.40" (10 mm)
P	0.65" (16.5 mm)
V	0.40" (10 mm)

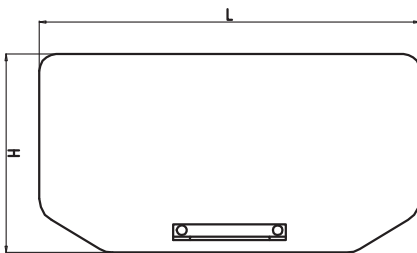
Size 2
Part No.
21 004 01

A	7.87" (200 mm)
B	1.30" (33 mm)
C	1.97" (50 mm)
D	7.32" (186 mm)
E	2.68" (68 mm)
F	1.38" (35 mm)
G	3.58" (91 mm)
H	4.72" (120 mm)
I	3.15" (80 mm)
J	5.83" (148 mm)
L	9.06" (230 mm)
M	M 10
N	1.18" (30 mm)
O	0.40" (10 mm)
P	0.65" (16.5 mm)
V	0.40" (10 mm)

Size 3
Part No.
21 005 01

A	8.27" (210 mm)
B	1.30" (33 mm)
C	2.17" (55 mm)
D	8.86" (225 mm)
E	3.35" (85 mm)
F	1.38" (35 mm)
G	3.78" (96 mm)
H	5.00" (127 mm)
I	3.15" (80 mm)
J	5.83" (148 mm)
L	9.84" (250 mm)
M	M 10
N	1.18" (30 mm)
O	0.40" (10 mm)
P	0.65" (16.5 mm)
V	0.40" (10 mm)

External Wall Size **1 - 3** Standard **DIN 43620**



Size 1
Part No.
25 003 01

H	4.20" (107 mm)
L	7.87" (200 mm)

Size 2
Part No.
25 004 01

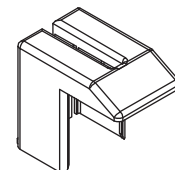
H	4.72" (120 mm)
L	9.06" (230 mm)

Size 3
Part No.
25 005 01

H	5.00" (127 mm)
L	9.84" (250 mm)

Contact Insulating Covers for NH Fuse-Base Size **1 - 3**

Size	Part No.	for Fuse-Base	Weight [kg/1]	Pack
1	21 003 01.26	21 003 01	0.020	10
2	21 004 01.26	21 004 01	0.025	10
3	21 005 01.26	21 005 01	0.030	10



Fuse-Bases 3 pole Size **1 + 2** Rated Voltage **AC 690 V** Standard **DIN 43620**

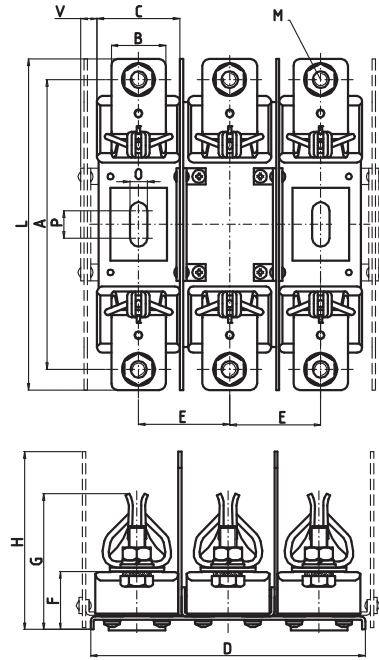
Rated Current [A]	Part No.	Weight [kg/1]	Pack
250	21 003 03	2.36	1
400	21 004 03	3.15	1

Size 1
Part No.
21 003 03

A	6.90" (175 mm)
B	1.30" (33 mm)
C	1.97" (50 mm)
D	6.54" (166 mm)
E	2.52" (64 mm)
F	1.38" (35 mm)
G	3.30" (84 mm)
H	4.20" (107 mm)
L	7.87" (200 mm)
M	M 10
O	0.40" (10 mm)
P	0.65" (16.5 mm)
V	0.40" (10 mm)

Size 2
Part No.
21 004 03

A	7.87" (200 mm)
B	1.30" (33 mm)
C	1.97" (50 mm)
D	7.00" (178 mm)
E	2.68" (68 mm)
F	1.38" (35 mm)
G	3.58" (91 mm)
H	4.72" (120 mm)
L	9.06" (230 mm)
M	M 10
O	0.40" (10 mm)
P	0.65" (16.5 mm)
V	0.40" (10 mm)



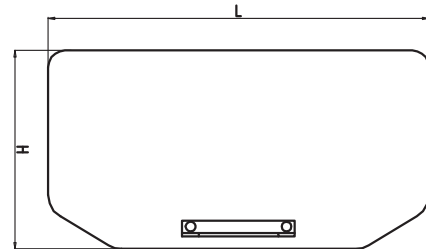
External Wall Size **1 + 2** Standard **DIN 43620**

Size 1
Part No.
25 003 01

H	4.20" (107 mm)
L	7.87" (200 mm)

Size 2
Part No.
25 004 01

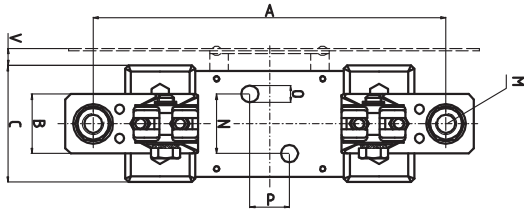
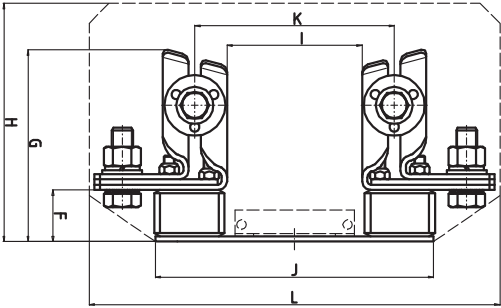
H	4.72" (120 mm)
L	9.06" (230 mm)



Fuse-Bases with Binding Screw Contacts Size **4** Rated Voltage **AC 690 V** Standard **DIN 43620**

Rated Current [A]	Part No.	Weight [kg/1]	Pack
1250	21 006 01	3.65	1
1600	21 006 05	3.65	1

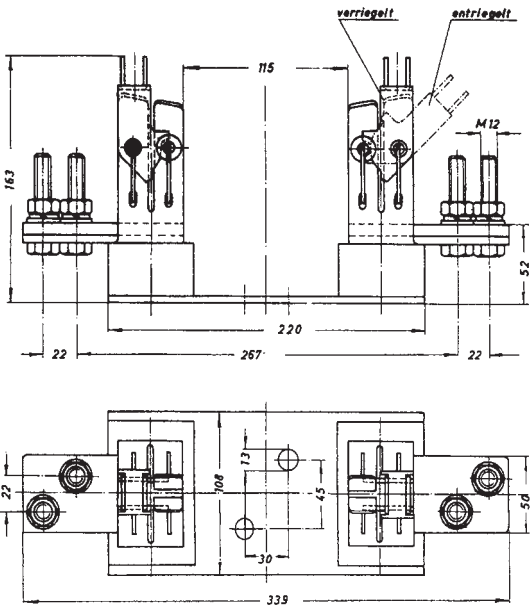
Fuse-base, complete with assembled isolated plates Part No. 21 006 04



A	10.24" (260 mm)
B	1.77" (45 mm)
C	3.46" (88 mm)
F	1.54" (39 mm)
G	5.70" (145 mm)
H	7.10" (180 mm)
I	4.02" (102 mm)
J	8.27" (210 mm)
K	5.90" (150 mm)
L	12.20" (310 mm)
M	M 16
N	1.77" (45 mm)
O	0.50" (13 mm)
P	1.18" (30 mm)
V	0.50" (13 mm)

Fuse-Bases with Binding Screw Contacts Size **4a** Rated voltage **AC 690 V** Standard **DIN 43620**

Rated Current [A]	Part No.	Weight [kg/1]	Pack
1600	21 120 02	4.2	1



Fuse-Bases for LV Fuse-Links Size **000 + 00** Rated Voltage **1000 V** Standard **DIN 43620**

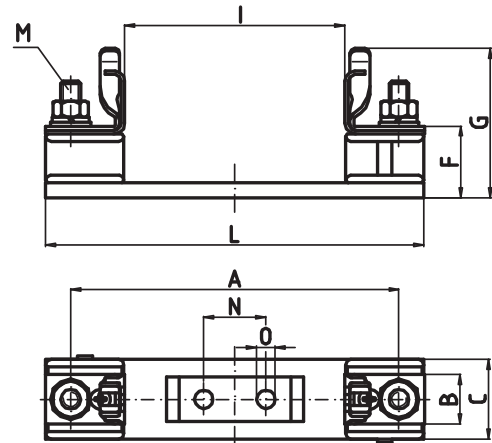
Rated Current [A]	Size	Part No.	Weight [kg/1]	Pack
100	000	21 386 01	0.28	1
160	00	21 389 01	0.29	1

Part No.
21 386 01

A	5.20" (132 mm)
B	0.80" (20 mm)
C	1.26" (32 mm)
F	1.14" (29 mm)
G	2.32" (59 mm)
I	3.50" (89 mm)
L	5.98" (152 mm)
M	M 8
N	0.98" (25 mm)
O	0.30" (7.5 mm)

Part No.
21 389 01

A	5.47" (139 mm)
B	0.80" (20 mm)
C	1.26" (32 mm)
F	1.14" (29 mm)
G	2.32" (59 mm)
I	3.78" (96 mm)
L	6.26" (159 mm)
M	M 8
N	0.98" (25 mm)
O	0.30" (7.5 mm)

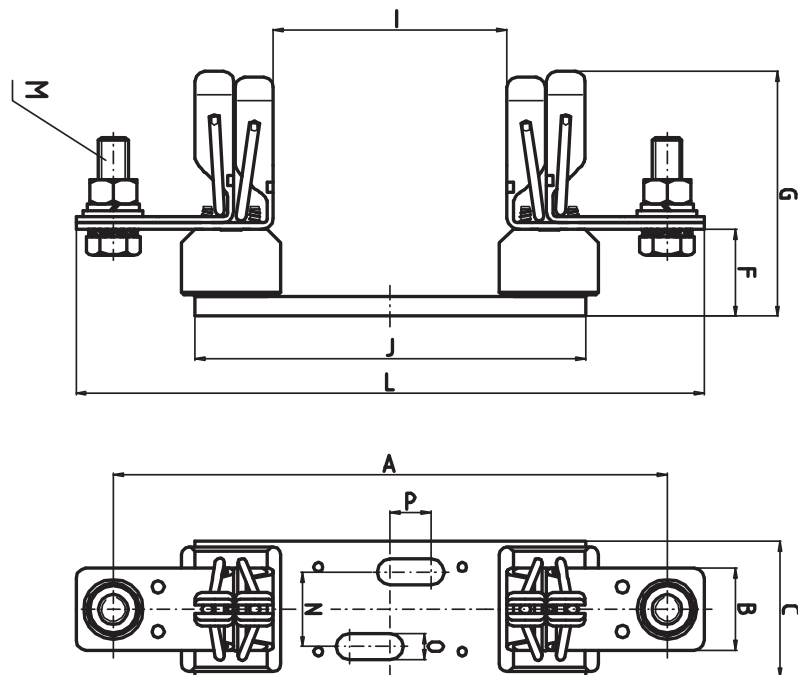


Fuse-Bases for LV Fuse-Links Size **3** Rated Voltage **1200 / 1500 V** Standard **DIN 43620**

Rated Current [A]	Part No.	Weight [kg/1]	Pack
630	21 031 01	1.3	1

Part No.
21 031 01

A	10.50" (267 mm)
B	1.30" (33 mm)
C	2.17" (55 mm)
F	1.46" (37 mm)
G	3.86" (98 mm)
I	5.40" (137 mm)
J	8.07" (205 mm)
L	11.65" (296 mm)
M	M 12
N	1.18" (30 mm)
O	0.40" (10.5 mm)
P	0.65" (16.5 mm)



Grip-Handle Size **00 - 3** Rated Voltage **500 - 690 V**

Grip Handle	Part No.	Weight [kg/1]	Pack
Standard	22 001 02	0.24	1
Protected by Leather Glove	22 001 05	0.63	1

Grip-Handle Size **3** Rated Voltage **1500 V**

Distance Gripping-Lugs	Part No.	Weight [kg/1]	Pack
4.72" (120 mm)	22 031 01	0.33	5

Grip-Handle Size **4 + 4a** Rated Voltage **500 - 690 V**

Distance Gripping-Lugs	Part No.	Weight [kg/1]	Pack
3.43" (87 mm)	22 120 01	0.54	1



GL-Switch for Gripping Lug

Rated Voltage
AC 250 V – DC 30 / 24 V

Part No.	Breaking Capacity Non Inductive Load [A]	Breaking Capacity Inductive Load (L/R = 10 ms) [A]	Terminal IEC 760
28 002 02	3 (Red hammer)	3	AMP 2,8 x 0,5

