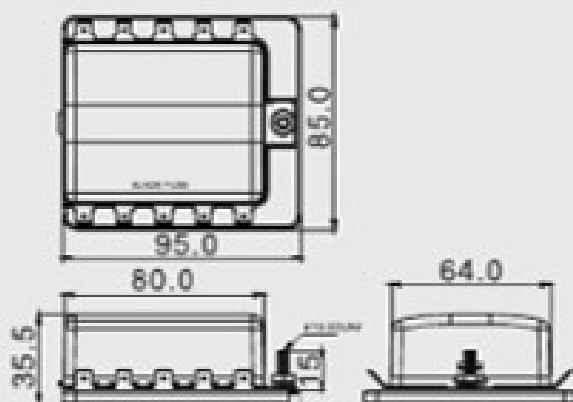


R3-76-01-3

1

LED Warning Light / Blade Fuse

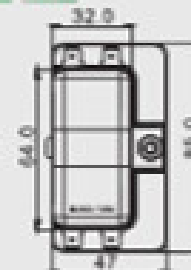
INDICATOR LIGHT

L With LED

W/O LED

POSITIONS

0 4



CUT-OUT



(6.4mm)0.250"
Quick connect

Input: 100 A max
Output: 30A max per circuit

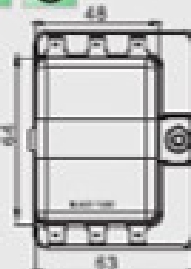
FUSE

BLADE FUSE

FEATURES:

- Material:
 - Base: PBT (UL flame: 94V-0).
 - Cap: PC (UL flame: 94V-2).
 - Terminal: tin plated brass.
- Input terminal rating: #10-32 threaded studs (100A. max.)
- Output terminal rating: 30A max per circuit.
- Connection pad option available.
- Input wire size: #4-6 AWG.
- Output wire size: #12-16 AWG.
- Torque rating: 20in-lb (2.25 Nm) max.
- Mounting torque rating: 8in-lb (0.9Nm) max.
- Red LED indicates when fuse is broken.
- Identify circuits by foot print marking.
- Clear insulating cover design for water and dust proof.
- Easy to open by pressing the latch.

0 6



1 0

