

Shock-Safe Fuseholder, 5 x 20 mm, Fingergrip, Rear-Side, NF, IP 40 / IP 67



250 VAC · 1.5W/6.3A (NF)



Description

- Screw type fuse carrier

Standards

- NF C 93-436 - Model HB01
- Contrôle de Conformité de Qualité (CCQ)

Approvals

- Approval Reference Type: 23316P

Weblinks

[pdf datasheet](#), [html-datasheet](#), [General Product Information](#), [Packaging details](#), [Approvals](#), [RoHS](#), [CHINA-RoHS](#), [REACH](#), [Distributor-Stock-Check](#), [Detailed request for product](#), [Microsite](#)

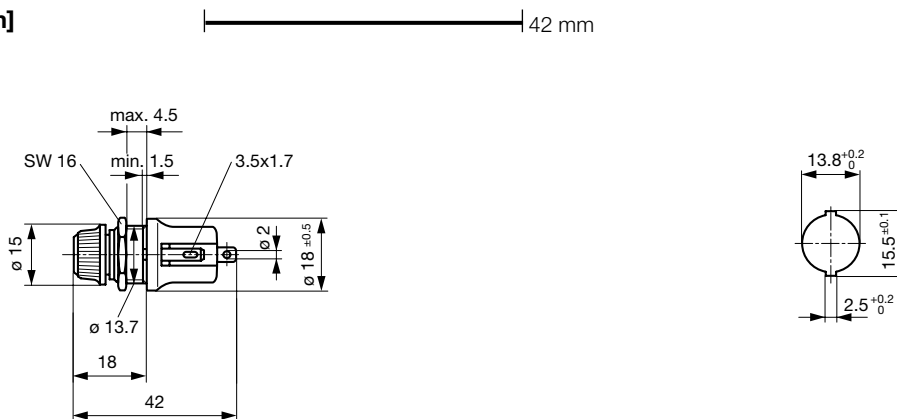
Technical Data

Fuse-Link	5 x 20 mm
Mounting	Panel Mount, Rear Side
Attachment	Fixing Nut
Terminal	Solder
Rated Voltage	250 VAC
Rated current	6.3 A (NF)
Rated Power Acceptance IEC	1.5 W / 6.3 A @ Ta 23 °C
Degree of Protection	IP 40 / IP 67
Admissible Ambient Air Temp.	-40 °C to 85 °C
Climatic Category	40/085/21 acc. to IEC 60068-1
Material: Socket	Thermoset, black
Unit Weight	16 g
Storage Conditions	0 °C to 60 °C, max. 70% r.h.
Product Marking	Type, Rated Voltage, Rated current, HB1

Soldering Methods	Iron Soldering Profile
Contact Resistance	< mΩ at 20 mV
Resistance to Vibration	acc. to NF C 20-706 / IEC 60068-2-6, test Fc
Shocks	acc. to NF C 20-706 / IEC 60068-2-27
Bumps	acc. to NF C 20-729 / IEC 60068-2-29
Salt Mist	acc. to NF C 20-711 / IEC 60068-2-11
Dump Heat	acc. to NF C 20-604
Climatic Composite	acc. to NF C 20-619 Phases D and F
Admissible Torque on Fixing Nut	max 1.0 Nm
Panel Thickness	max 4.5 mm


Detailed information on product approvals, code requirements, usage instructions and detailed test conditions can be looked up in [General Product Information](#)


Dimension [mm]



Mounting holes

All Variants

Holder	Cap	Degree of Protection	 GAM T1 NNO	Reference	Order Number
●	Fingergrip	IP 40	●	23316P	7091.1510
●	Fingergrip	IP 67		23316ERJJP	7091.1520

 Most Popular.

Availability for all products can be searched real-time: <http://www.schurter.com/en/Stock-Check/Stock-Check-SCHURTER>

Packaging Unit Bulk (10 pcs.)
