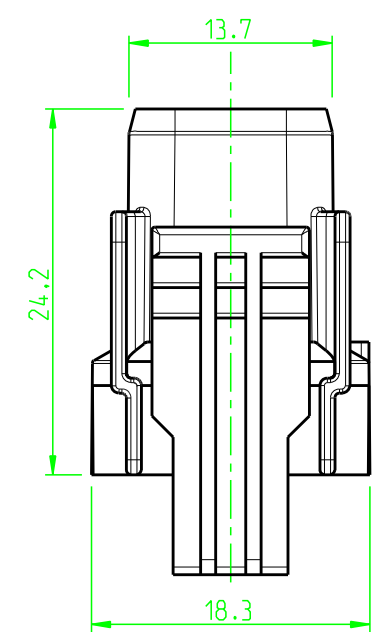
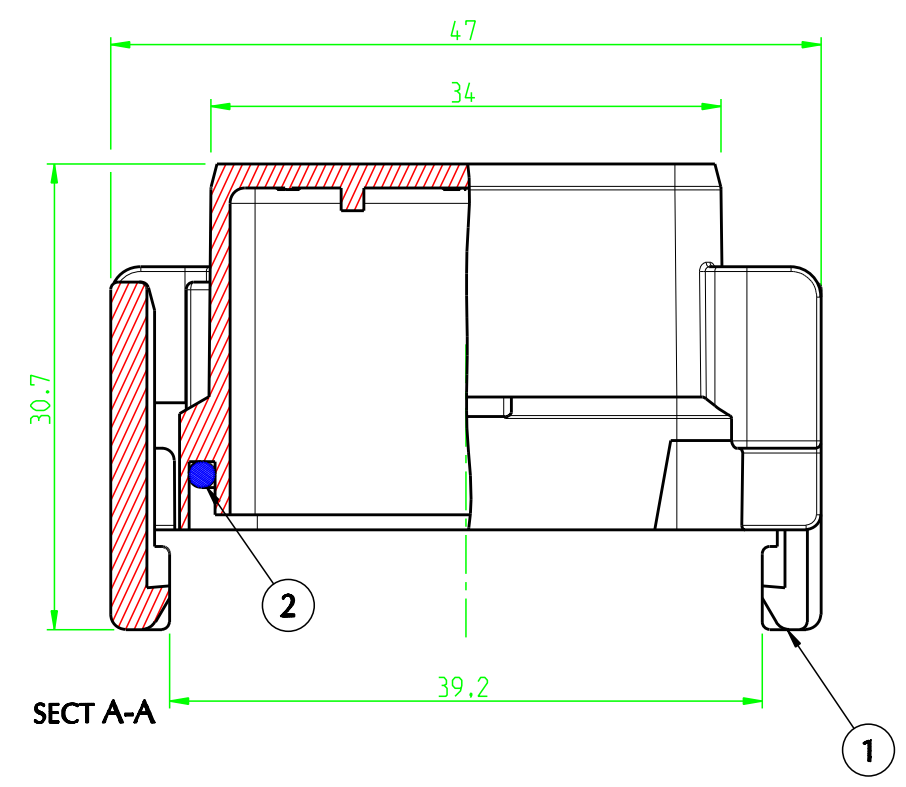
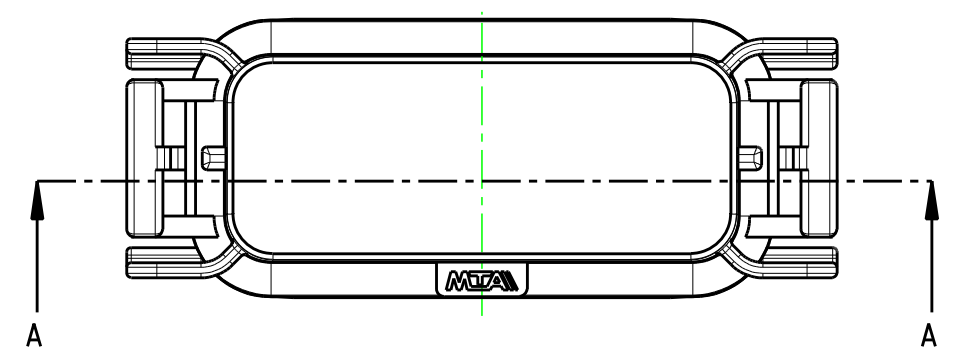


**UNCONTROLLED COPY**  
 in case of drawing updating/revision  
 NO AUTOMATIC  
 resubmission will follow



|   |   |
|---|---|
| <b>B0-114.E01B</b><br>MTA P/N 0301211<br> | <b>B0-114.E01H</b><br>MTA P/N 0301217<br> |
| <b>B0-114.E01D</b><br>MTA P/N 0301213<br> | <b>B0-114.E01L</b><br>MTA P/N 0301218<br> |



|            |                     |                 |                             |                                    |                    |           |          |           |
|------------|---------------------|-----------------|-----------------------------|------------------------------------|--------------------|-----------|----------|-----------|
| 2          | 1                   | GASKET OR       | SILICON 50SHORE - COLOR RED |                                    |                    |           |          |           |
| 1          | 1                   | COVER           | PA66 - BLACK                |                                    |                    |           |          |           |
| POS        | QT.Y                | DENOMINATION    | VARIABLE                    |                                    |                    |           |          |           |
|            |                     | MTA P/N         | 0301210                     | Denom. COVER FUSEHOLDER MAXIVAL SP |                    |           |          |           |
| Rel. Level |                     | Approved        | Draw No.                    | B0-114.E01A                        | Used for -         |           |          |           |
| Date       |                     | Name            | Scale                       | Weight(g)                          | Lin.Tol.±          | Ang.Tol.± |          |           |
| Draft.     | 01/02/1995          | G.C INQUETTI    | 2:1                         | 6.4                                | 0.5                | -         |          |           |
| Chk        | 26/10/2009          | M.CORBANI       | A3                          |                                    | Dimensions in (mm) | Sheet 1/1 |          |           |
| PQApp      | 26/10/09            | R.GONZALEZ      |                             |                                    |                    |           | Material | SEE TABLE |
| App.       | 29/10/09            | M.CORBANI       |                             |                                    |                    |           | Coating  | -         |
| 4          |                     | DRAWING UPDATED |                             | Color                              | -                  |           |          |           |
| No.        | Reason for Revision |                 | Date                        | 26/10/09                           | Name               | R.DALMA   |          |           |

All proprietary rights reserved by MIA S.p.A. - This drawing shall not be reproduced, or in any way utilized, for the manufacture of the component or unit herein illustrated and must not be released to other parties, without written consent. Any infringement will be legally pursued.