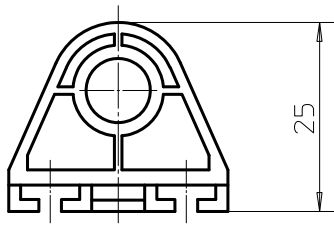
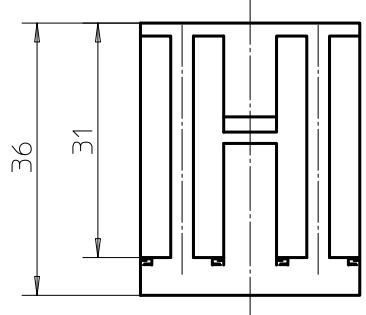
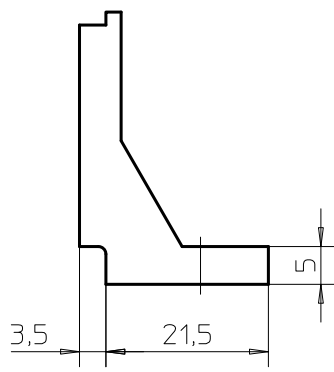
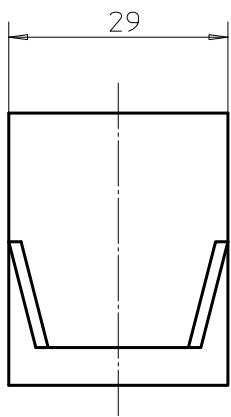


1 2 3 4

A

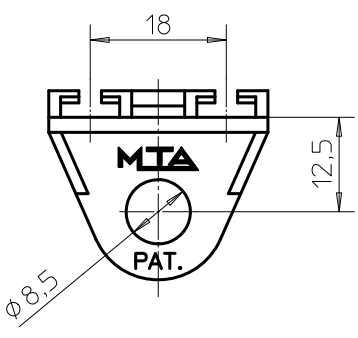


B



C

D



UNCONTROLLED COPY
in case of drawing updating/revision
NO AUTOMATIC
resubmission will follow

All proprietary rights reserved by MECCANOTECNICA CODOGNESE S.p.A. - This drawing shall not be reproduced, or in any way utilized, for the manufacture of the component or unit herein illustrated and must not be released to other parties, without written consent. Any infringement will be legally pursued.

| | | | | | | | | | |
|-------------------------------------|---------------------|-----------------------------|-----------|---|--------------------|-----------|---------|----------|-------|
| MTA auto electric systems | | MTA P/N 0300691 | | Denom. MOUNTING BRACKET (FEMALE) | | | | | |
| | | Draw No. B0-149.M02A | | Used for LINK BOX AND BOXES TO BE ASSEMBLED | | | | | |
| Rel. Level APPROVED | | Draw for CLIENT | | Family FUSE HOLDERS | | MULTIWAY | | | |
| Date | Name | Scale | Weight(g) | Lin.Tol.± | Ang.Tol.± | Material | PA 66 | Thick. | Width |
| Draft. | 13/05/92 | G.CINQUETTI | 1:1 | 4.75 | 0.5 | 2 | Coating | | |
| Chk. | 13/05/92 | G.CINQUETTI | A4 | | Dimensions in (mm) | Sheet 1/1 | | Color | BLACK |
| App. | | | | | | | | | |
| 1 COUPLING ZONE MODIFIED | | | | | | | | | |
| No. | Reason for Revision | | | | Date | 24/11/97 | Name | L. NARRA | |