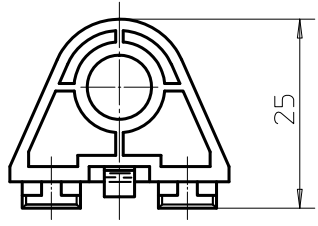
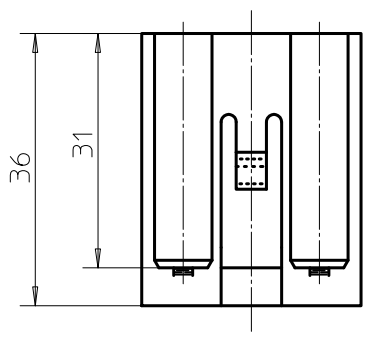
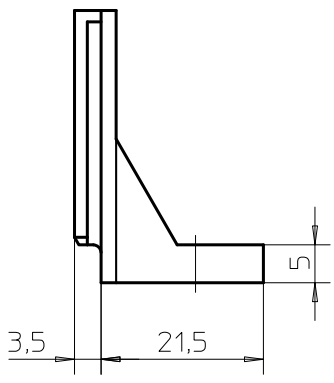
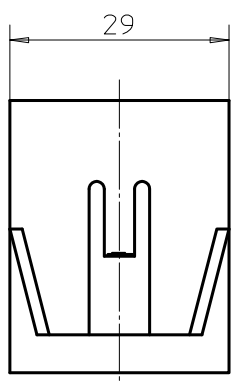


1 2 3 4

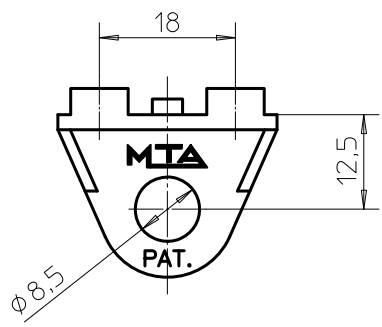
A



B




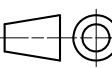
C



D

UNCONTROLLED COPY
 in case of drawing updating/revision
 NO AUTOMATIC
 resubmission will follow

All proprietary rights reserved by MECCANOTECNICA CODOGNESE S.p.A. - This drawing shall not be reproduced, or in any way utilized, for the manufacture of the component or unit herein illustrated and must not be released to other parties, without written consent. Any infringement will be legally pursued.

		MTA P/N 0300690		Denom. MOUNTING BRACKET (MALE)				
auto electric systems		Draw No. B0-149.M01A		Used for LINK BOX AND BOXES TO BE ASSEMBLED				
Rel. Level APPROVED		Draw for CLIENT		Family FUSE HOLDERS		MULTIWAY		
Date	Name	Scale	Weight(g)	Lin.Tol.±	Ang.Tol.±	Material PA 66	Thick.	Width
Draft. 13/05/92	G.CINQUETTI	1:1	4.5	0.5	2	Coating		
Chk 13/05/92	G.CINQUETTI	A4		Dimensions in (mm)	Sheet 1/1			
App.								
No.	Reason for Revision			Date		Name		