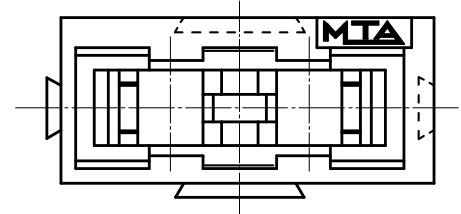
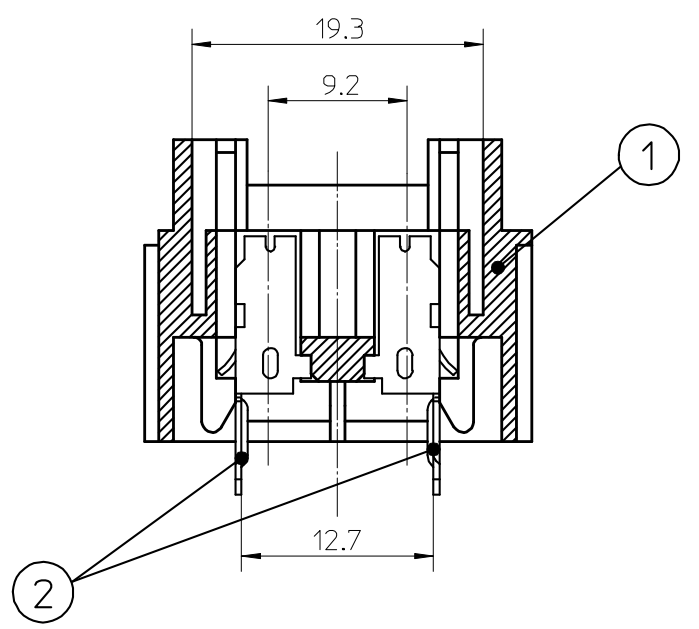
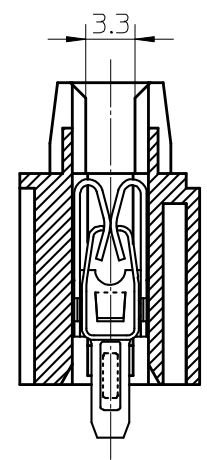
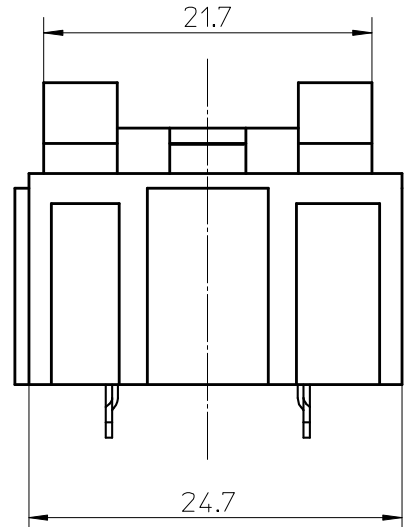
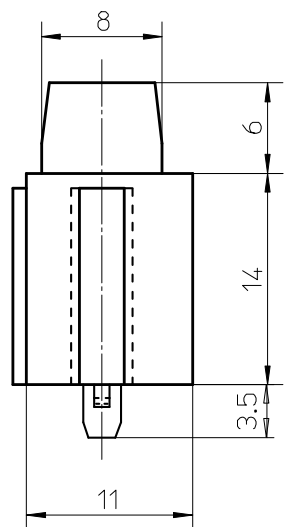


All proprietary rights reserved by MECCANOTECNICA CODOGNESE S.p.A. - This drawing shall not be reproduced, or in any way utilized, for the manufacture of the component or unit herein illustrated and must not be released to other parties, without written consent. Any infringement will be legally pursued.



FUSEHOLDER BODY TOP VIEW

OPERATING FEATURES		
FEATURE	UNIT	VALUE
V max	V	32
T. min - T. max	°C	-40 / +130
I Continuous	A	15
IP	IEC 529	30
Flammability	UL 94	V2

2	2	TERMINAL WITH CLIP	PHOSPHOR CuSn Tin Plated
1	1	FUSEHOLDER BODY	PA 66-GF30 HB - BLACK COLOR
Pos.	Q.ty	DENOMINATION	MATERIAL
		MTA auto electric systems	Denom. FUSEHOLDER UNIVAL PRINTED CIRCUITS
		MTA P/N 03.00420	Used for
		Draw No. B0-001.009A	Family FUSE HOLDERS ONE WAY
Rel. Level APPROVED		Draw for CLIENT	Material SEE TABLE
Date Name		Scale Weight(g) Lin.Tol.± Ang.Tol.±	Thick. Width
Draft.	16/02/1993 G.CINQUETTI	2:1	0.5 2
Chk	16/02/1993 G.CINQUETTI	Coating	
PQApp	30/11/2004 R.GONZALEZ	A3 Dimensions in mm	Sheet 1/1
App.	30/11/2004 M.CORBANI		Color
4 OPERATING FEATURES UPDATED			
No.	Reason for Revision		Date 25/11/2004 Name A. CAPELLI