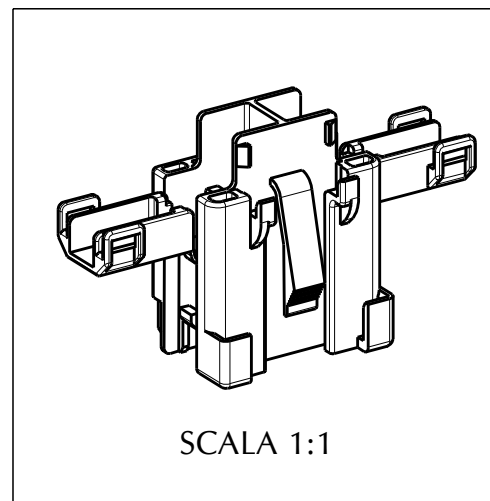
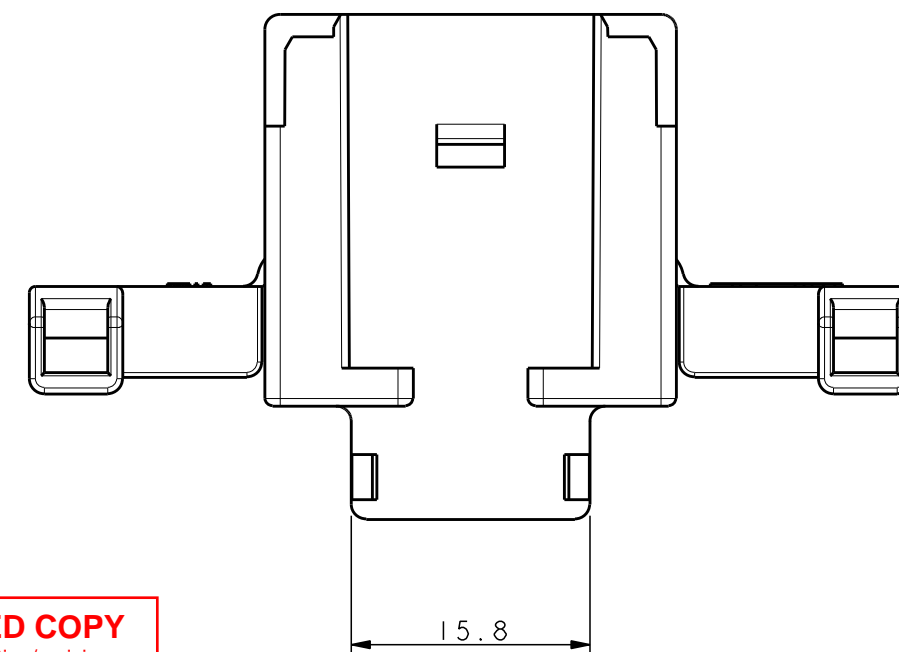
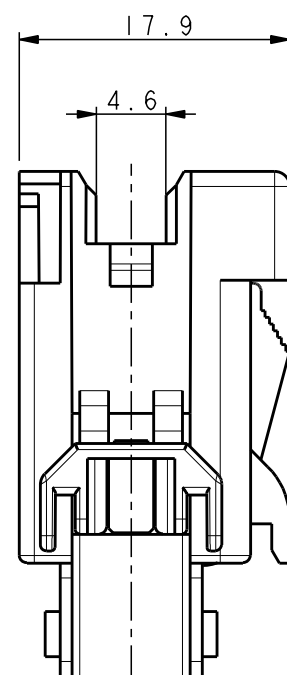
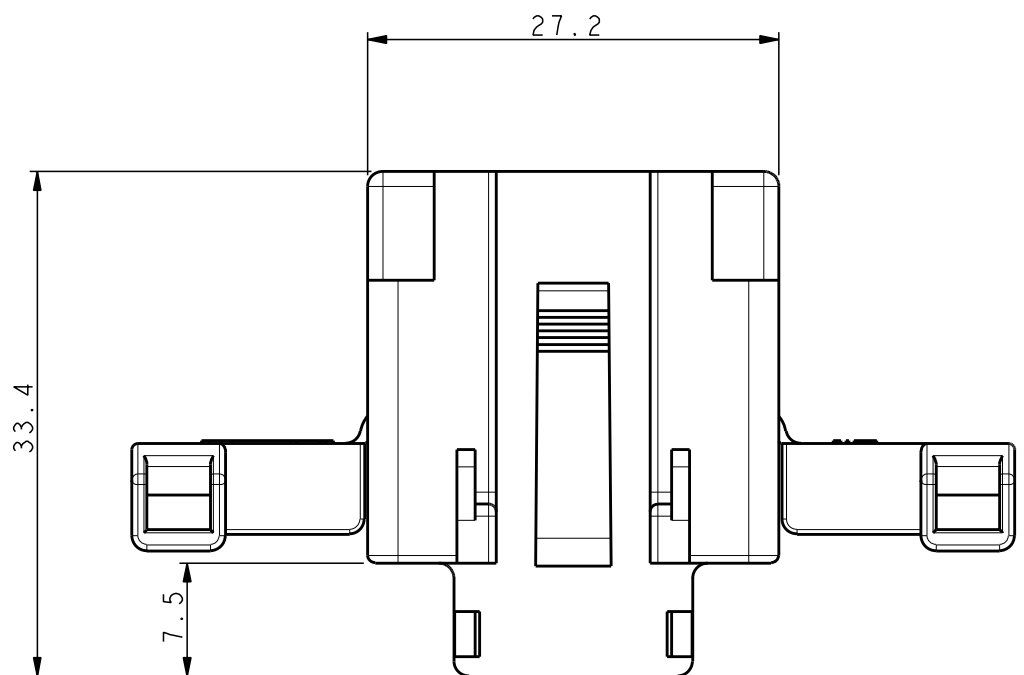


All proprietary rights reserved by MECCANOTECNICA CODOGNESE S.p.A. - This drawing shall not be reproduced, or in any way utilized, for the manufacture of the component or unit herein illustrated and must not be released to other parties, without written consent. Any infringement will be legally pursued.

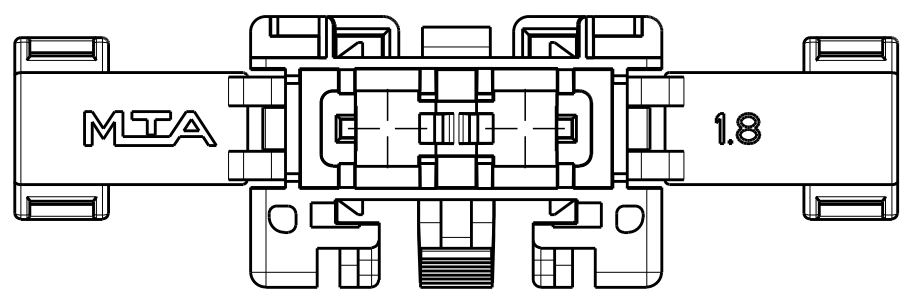
OPERATING FEATURES		
FEATURE	UNIT	VALUE
V MAX	V	32
T.MIN - T.MAX	°C	-40 / +120
FLAMABILITY	UL 94	V2
IP	IEC 529	30



0300407	GREEN
0300406	WHITE
0300405	YELLOW
0300404	BLUE
0300403	RED
0300402	BROWN
0300401	BEIGE
0300400	BLACK
MTA PN.	COLOR



**UNCONTROLLED COPY**  
 in case of drawing updating/revision  
 NO AUTOMATIC  
 resubmission will follow



<b>MTA</b>		MTA P/N	<b>0300400</b>				Denom. FUSEHOLDER UNIVAL BLACK					
		Draw No.	<b>BO-100.H01A</b>				Used for -					
Rel. Level	Approved		Draw for	CLIENT			Family	VAL FUSES		UNI		
	Date	Name	Scale	Weight(g)	Lin.Tol.±	Ang.Tol.±	Material	PA 66		Thick.	Width	
Draft.	30/05/03	D.VACHELLI	2:1	5.2	0.5	2	Coating					
Chk	30/05/03	G.CINQUETTI						Color	SEE TABLE			
PQApp			<b>A3</b>	Dimensions in (mm)		Sheet						
App.						1/1						
6 NEW GEOMETRY												
No.	Reason for Revision						Date	19/04/04	Name	D.VACHELLI		+