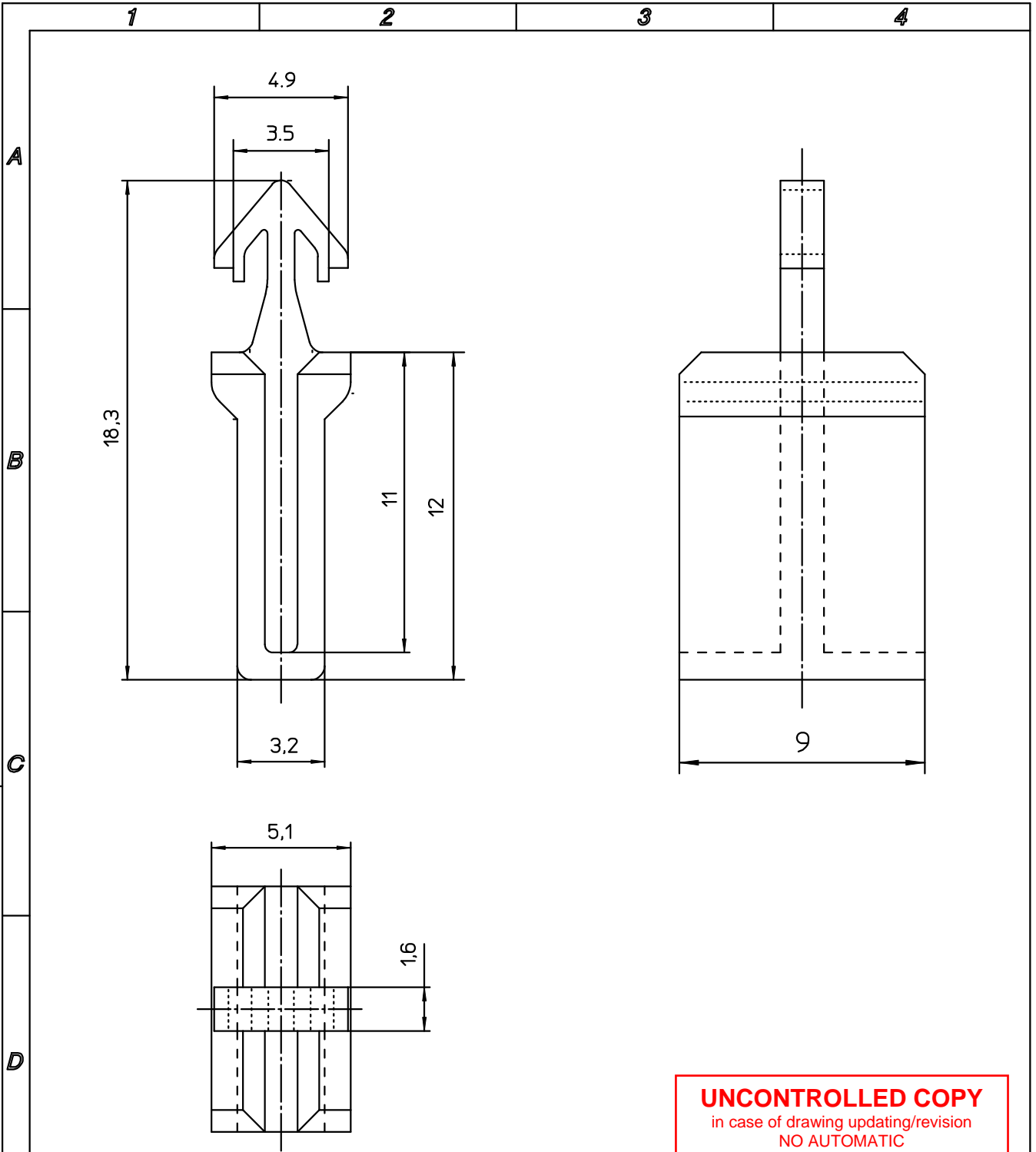


All proprietary rights reserved by MECCANOTECNICA CODOGNESE S.p.A. - This drawing shall not be reproduced, or in any way utilized, for the manufacture of the component or unit herein illustrated and must not be released to other parties, without written consent. Any infringement will be legally pursued.



UNCONTROLLED COPY
 in case of drawing updating/revision
 NO AUTOMATIC
 resubmission will follow

| | | | | | | | | | |
|-------------------------------------|---------------------|----------------------|--------------------|-----------------------------|-----------|--------------|----------------|--------|-------|
| MTA auto electric systems | | MTA P/N 03.00357 | | Denom. SECONDARY LOCK | | | | | |
| | | Draw No. B0-222.011A | | Used for FUSEHOLDERS UNIVAL | | | | | |
| Rel. Level APPROVED | | Draw for CLIENT | | Family FUSE HOLDERS | | ONE WAY | | | |
| | Date | Name | Scale | Weight(g) | Lin.Tol.± | Ang.Tol.± | Material PA 66 | Thick. | Width |
| Draft. | 27/11/00 | MPALAZZINA | 5:1 | 0.32 | 0.5 | 2 | Coating | | |
| Chk. | 27/11/00 | M.CORBANI | Dimensions in (mm) | | Sheet | Color YELLOW | | | |
| App. | | | | | | | 1/1 | | |
| | | | | | | | | | |
| No. | Reason for Revision | | | | Date | | Name | | |