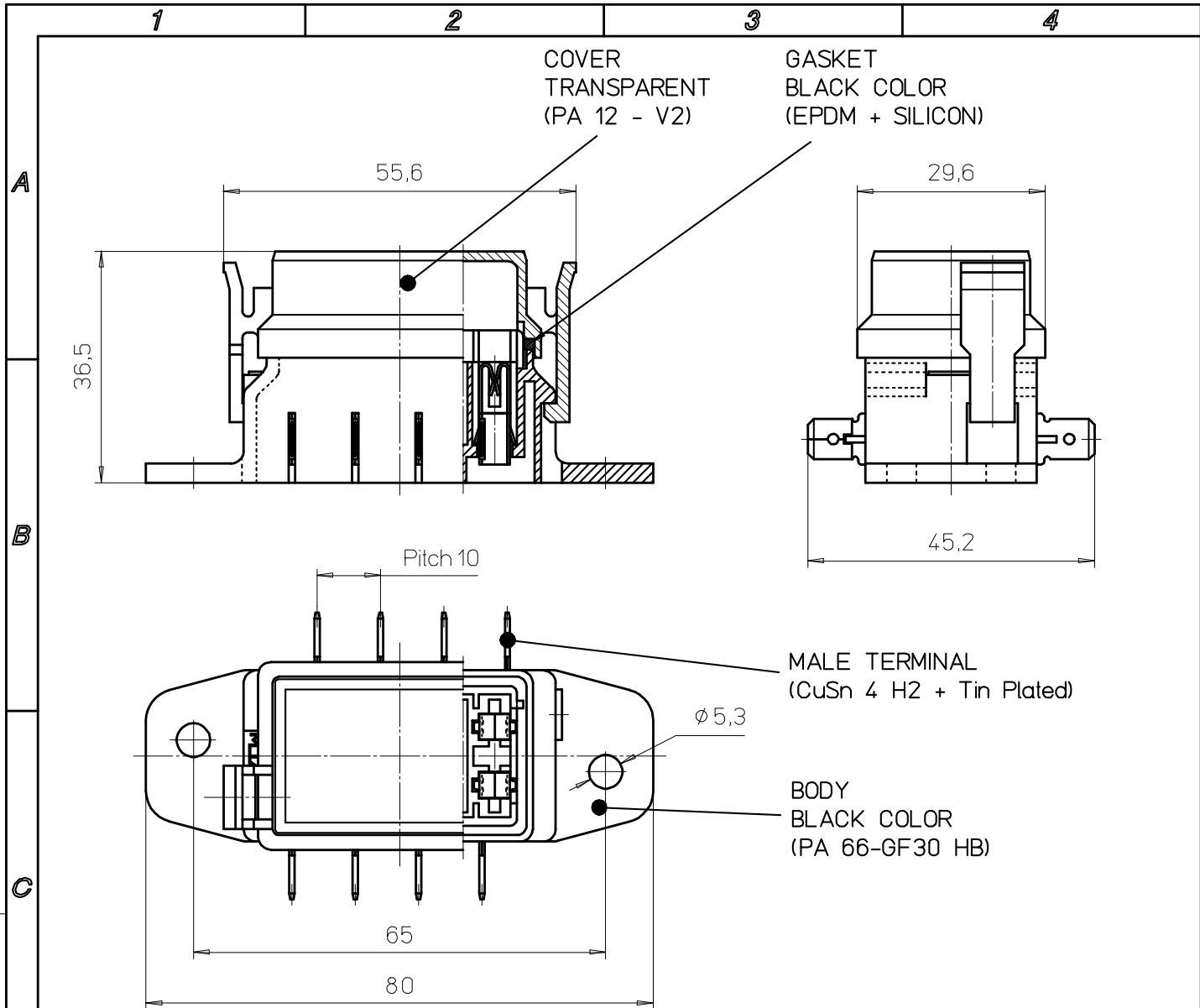


All proprietary rights reserved by MECCANOTECNICA CODOGNESE S.p.A. - This drawing shall not be reproduced, or in any way utilized, for the manufacture of the component or unit herein illustrated and must not be released to other parties, without written consent. Any infringement will be legally pursued.



OPERATING FEATURES		
FEATURE	UNIT	VALUE
V_{max}	V	32
$T_{min} - T_{max}$	°C	-30 / +100
* $I_{Continuous}$	A	RECOMMENDED 80A TOT; 20A/WAY
IP	IEC 529	23

*APPLICATION WITH CURRENT HIGHER THAN THE INDICATED ONE, HAVE TO BE VERIFIED AND AUDITED ONE BY ONE



MTA P/N 01.00610

Denom. FUSE BOX UNIVAL SIDE 4WAY

Draw No. B0-002.023A

Used for

Rel. Level APPROVED

Draw for CLIENT

Family FUSE HOLDERS MULTIWAY

Date Name

Scale Weight(g) Lin.Tol.* Ang.Tol.*

Material SEE DRAWING Thick. Width

Draft 04/11/1989 M.CORBANI

1:1 0.5

Coating

Chk 04/11/1989 M.CORBANI

Dimensions in (mm)

Sheet

PQApp 30/11/2004 R.GONZALEZ

A4

1/1

App. 30/11/2004 M.CORBANI

Color SEE DRAWING

4	OPERATING FEATURES UPDATED	
---	----------------------------	--

No.	Reason for Revision	Date 20/10/2004	Name A. CAPELLI
-----	---------------------	-----------------	-----------------