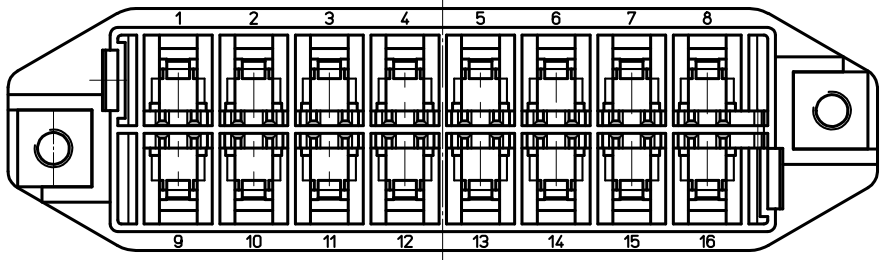
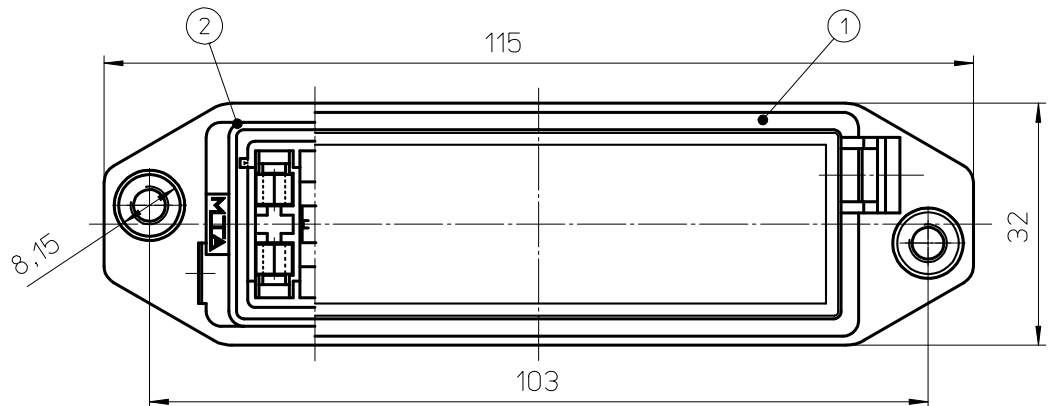
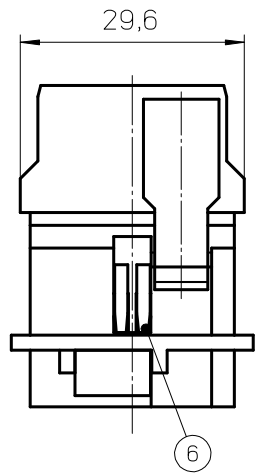
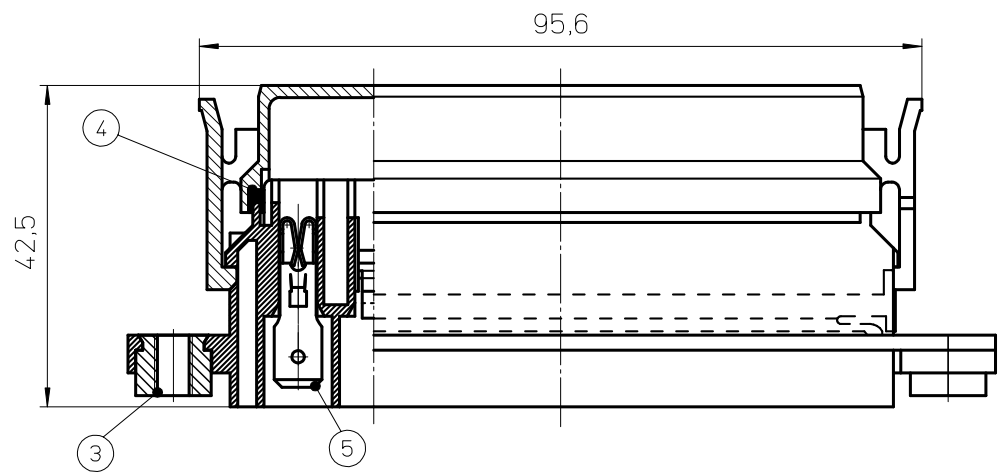


All proprietary rights reserved by MTA S.p.A. - This drawing shall not be reproduced, or in any way utilized, for the manufacture of the component or unit herein illustrated and must not be released to other parties, without written consent. Any infringement will be legally pursued.

1 2 3 4 5 6 7 8



OPERATING FEATURES

FEATURE	UNIT	VALUE
V max	V	32
T. min - T. max	°C	-30 / +85
* I Global Continuous	A	135
IP	IEC 529	23

* APPLICATION WITH GLOBAL CURRENT HIGHER THAN THE INDICATED ONE, HAVE TO BE VERIFIED AND AUDITED ONE BY ONE

UNCONTROLLED COPY
in case of drawing updating/revision
NO AUTOMATIC
resubmission will follow

Pos.	Q.ty	DENOMINATION	MATERIAL
6	2	SECONDARY LOCK	PA 66 V2 - YELLOW COLOR
5	16	MALE TERMINAL	CuSn Tin Plated
4	1	GASKET	NBR 70 - BLACK COLOR
3	2	THREADED INSERT	CuZn
2	1	BODY	PA 66-GF30 HB - BLACK COLOR
1	1	COVER	PA 12 V2 - TRANSPARENT

MTA	MTA P/N	0100580	Denom. FUSE BOX UNIVAL AXIAL 8WAY			
	Draw No.	B0-002.009A	Used for			
Rel. Level	APPROVED	Draw for	CLIENT		Relevant Standard	
	Date	Name	Scale	Weight(g)	Lin.Tol.±	Ang.Tol.±
Draft.	29/01/1997	I.MASSARI	1:1	65.6	0.5	
Chk	29/01/1997	I.MASSARI				
PQApp	13/05/2009	R.GONZALEZ	A3	⊕	Dimensions in (mm)	Sheet 1/1
App.	13/05/2009	M.CORBANI				
						Material SEE TABLE
						Coating SEE TABLE
						Color SEE TABLE

4	P/N MTA MODIFIED, IT WAS 0300580	
No.	Reason for Revision	Date 11/05/2009 Name S.BEDUSCHI

1 2 3 4