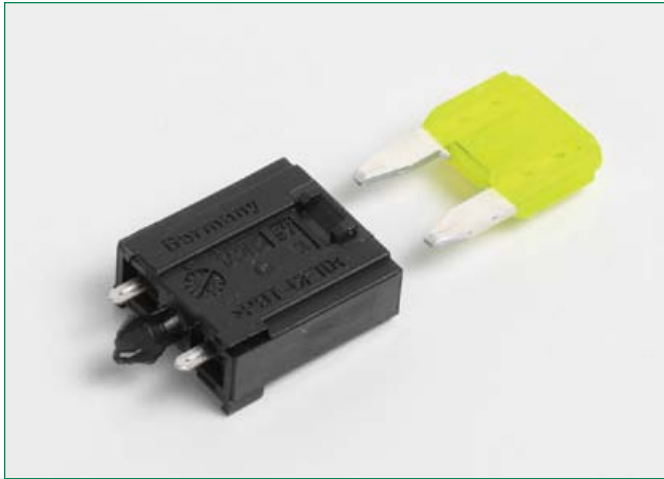


Blade Fuse Holders - PCB Mount Fuse Holder for MINI® Style Blade Fuse Rated 125V

RoHS



Specifications

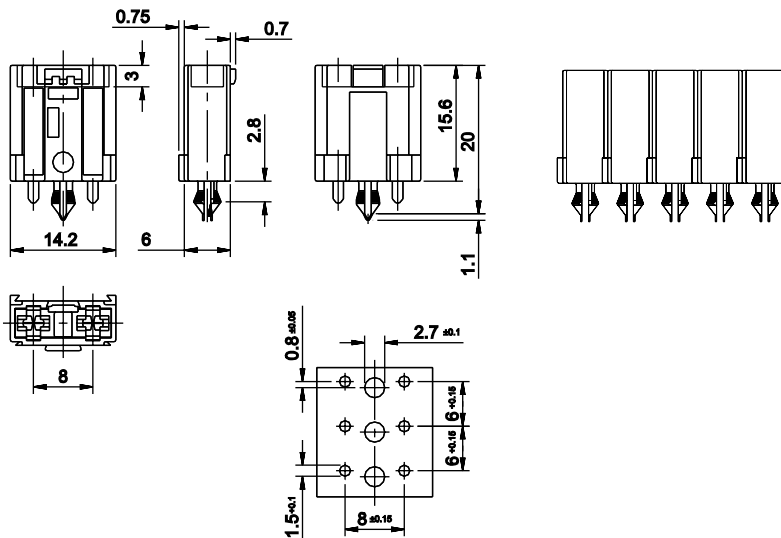
Housing: Out of thermoplastic (UL 94-V0, heat-resistant)
Connections: Leaf spring connector systems, copper alloy, tinned
Color: Black
Packaging:

Series Serien	Pack Size
178.6764.0001	100

Fuse holder for MINI / FK1 fuses for PCB applications. The FL1 Fuse Holder can be mounted in a row of nearly any number. The terminals fit into a 7.62 mm pitch.

Halter für MINI® / FK1-Sicherungen für Leiterplatten-Anwendungen. Die FL1-Sicherungshalter können in praktisch beliebiger Anzahl aneinandergereiht werden und passen in ein 7,62-mm-Raster.

Dimensions in mm / Maße in mm



Part Number Artikel-Nr.	Description Beschreibung	Contact Temperature Kontakttemperatur
178.6764.0001	Complete	max. 130°C

The FL1-Fuse Holder can be mounted in a row in nearly any number. The below declared hole-picture was tested up to a number of 8 holders. The terminals of the holder will also fit into a 7.62 mm pitch.