

PRODUCT CHANGE NOTIFICATION (PCN)

PCN#	WPC-180124-001	Issuing Date	January 24 th , 2018
-------------	----------------	---------------------	---------------------------------

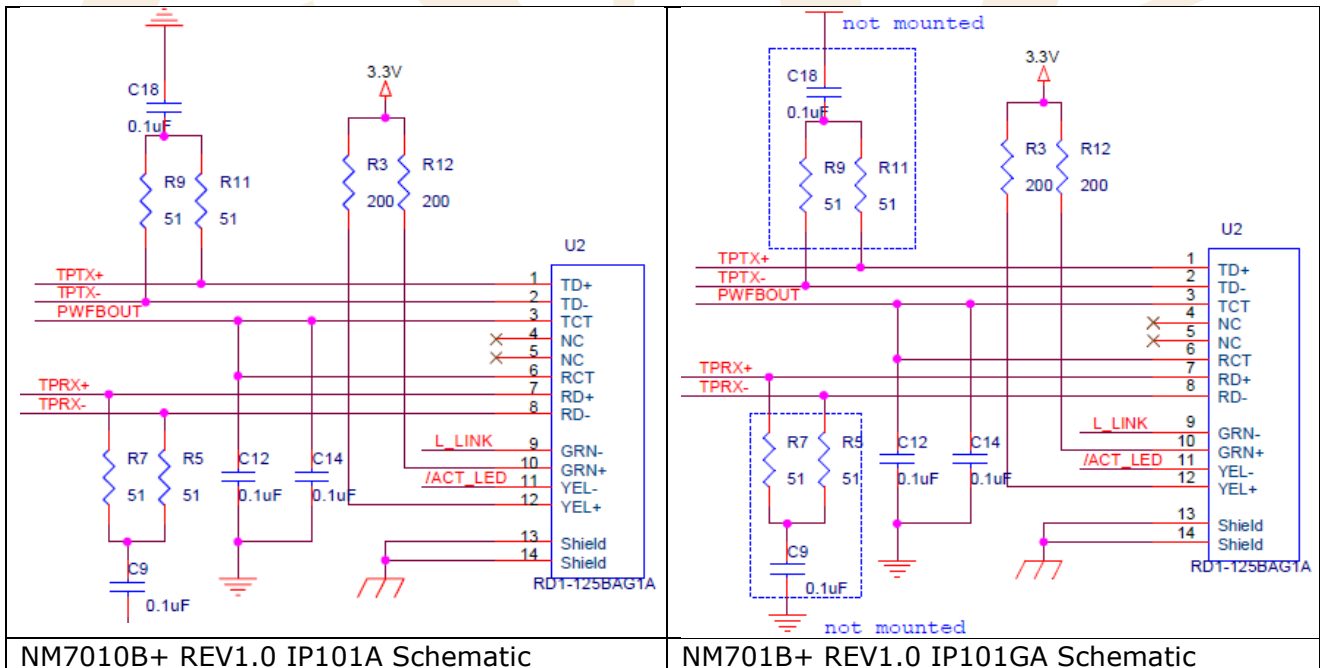
PRODUCT(S) AFFECTED :

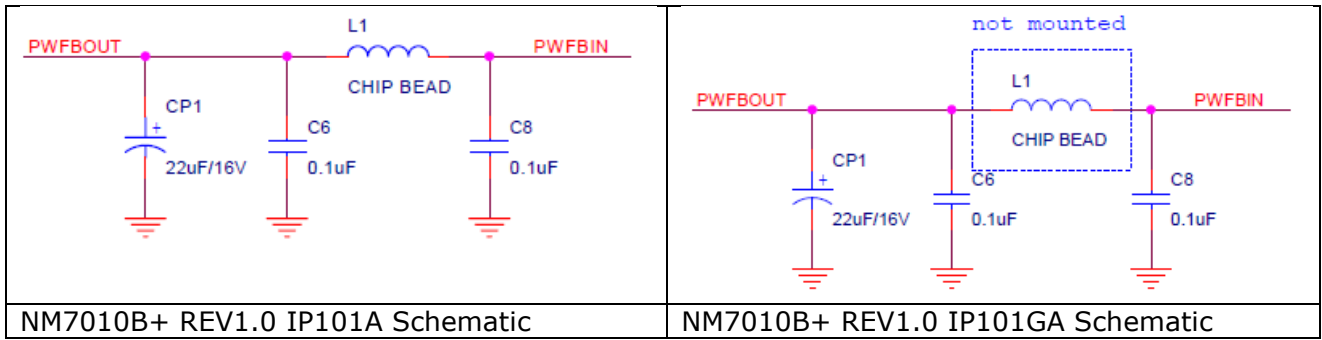
Attachment: Yes No

Product Name	Description	Supplying Schedule
NM7010B+ REV1.0	Replacement of PHY IP101A → IP101GA	Jan 24 th , 2018

Description of Changes

- Replacement of PHY due to discontinuation of IC+ IP101A. Changed IC+'s new PHY to IP101GA.
 - The Partlist of NM7010B+ has been changed according to the document "IP101A and IP101G/GA application note" provided by IC+. This document is attached.
- Not Mount : R5, R7, R9, R11, L1, C9, C18





DISTRIBUTORS NOTIFICATION :

DISTRIBUTOR ACKNOWLEDGEMENT : Distributors may use this form to acknowledge receipt of this notification. Please fill in the below form and return it to us.

Distributor		Date	
Name		Title	
E-mail			
Comments			