

WiFi Antenna

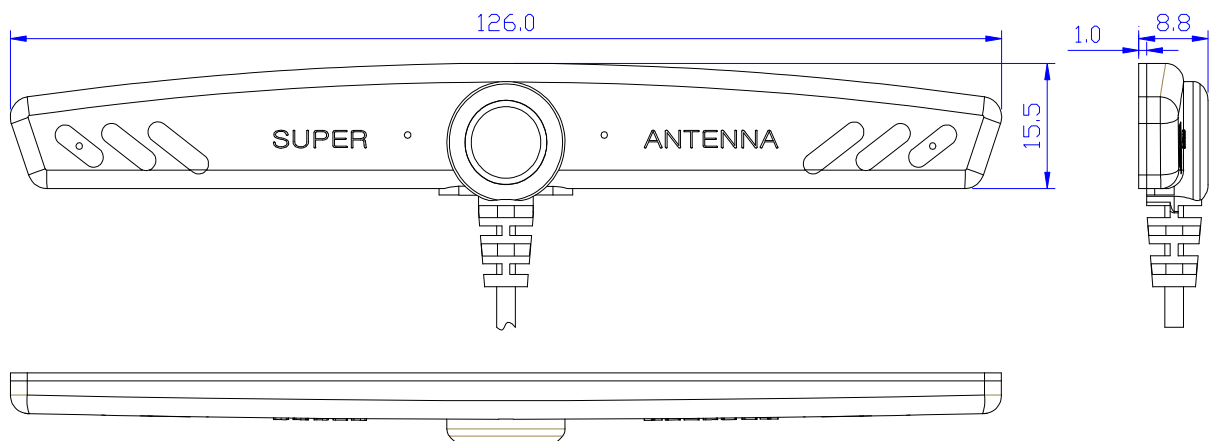
Model : WIFI-ANT108



1 Part Number

WIFI-ANT108

2 Dimension (Unit : mm)



3 Electrical Characteristics

3.1 WiFi Antenna

Item		Specifications
Antenna	Frequency Range	2400~2483.5MHz
	Band Width	83.5MHz
	Polarization	Linear
	Gain	3dBi
	V.S.W.R	< 2.0
	Impedance	50Ω
	Connector	Fakra B or others
Environmental	Operating Temperature	-40°C~+85°C
	Vibration	10 to 55Hz with 1.5mm amplitude 2hours
	Environmentally Friendly	ROHS Compliant