

GSM Antenna

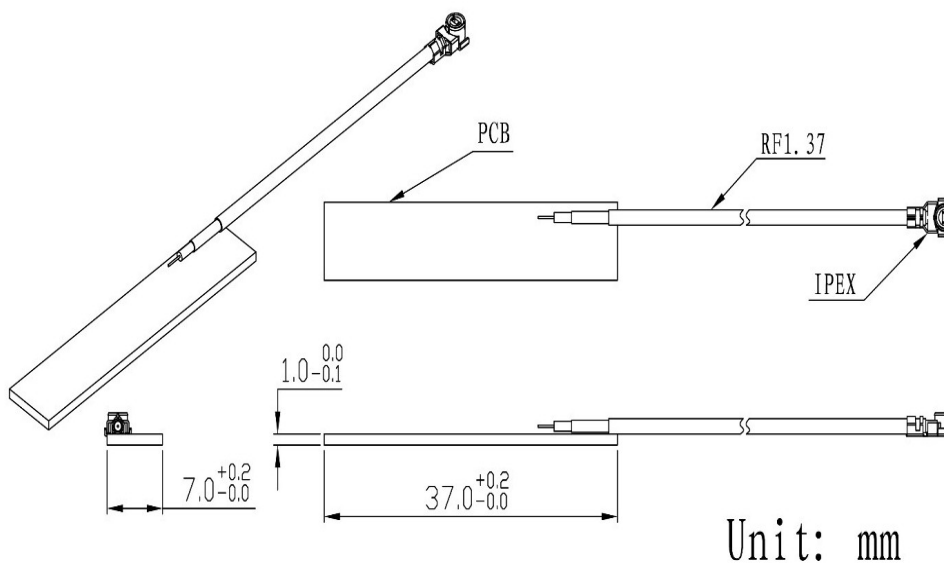
Model : GSM-ANT086



1 Part Number

GSM-ANT086

2 Dimension (Unit : mm)



3 Electrical Characteristics

3.1 GSM Antenna

Item	Specifications	
Antenna	Frequency Range	824~960/1710~2170MHz
	Polarization	Linear
	Gain	0dBi
	V.S.W.R	< 2.0
	Impedance	50Ω
	PCB Dimension	37*7*1mm
Mechanical	Cable	RF1.13/RF1.37 or others
	Connector	IPEX
	Mounting Method	Adhesive
Environmental	Operating Temperature	-40℃~+85℃
	Vibration	10 to 55Hz with 1.5mm amplitude 2hours
	Environmentally Friendly	ROHS Compliant

4 Radiation Pattern

