

## WiFi Antenna

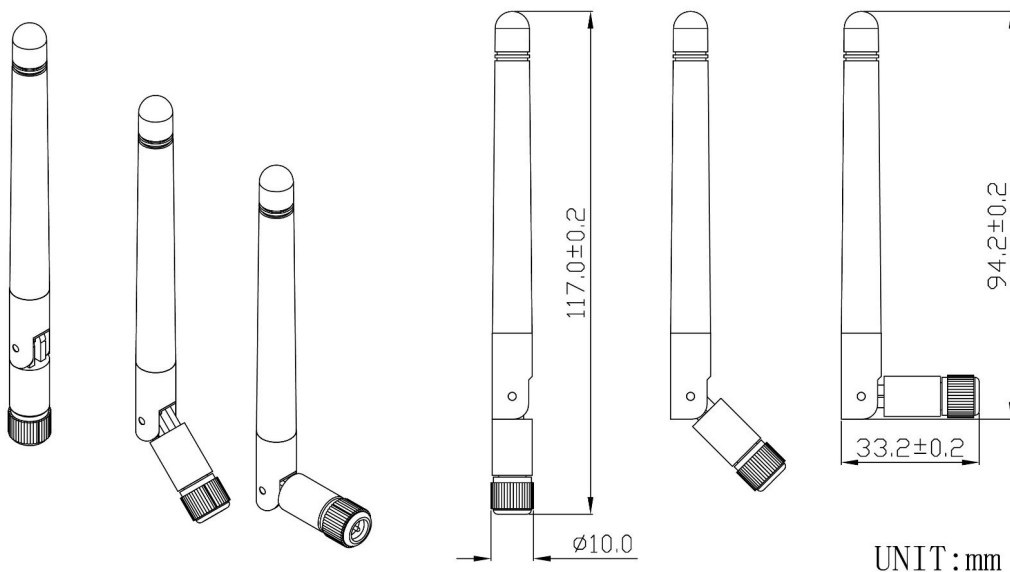
Model : 433M-ANT402



1 Part Number

433M-ANT402

2 Dimension ( Unit : mm )



### 3 Electrical Characteristics

#### 3.1 WiFi Antenna

Item	Specifications	
Antenna	Frequency Range	433MHz
	Band Width	CF±5MHz
	Polarization	Linear
	Gain	2dBi ( Zenith )
	V.S.W.R ( min )	< 2.5
	Impedance	50Ω
	Connector	SMA Male
Environmental	Operating Temperature	-40°C~+85°C
	Vibration	10 to 55Hz with 1.5mm amplitude 2hours
	Environmentally Friendly	ROHS Compliant

### 4 Radiation Pattern

