

WiFi Antenna

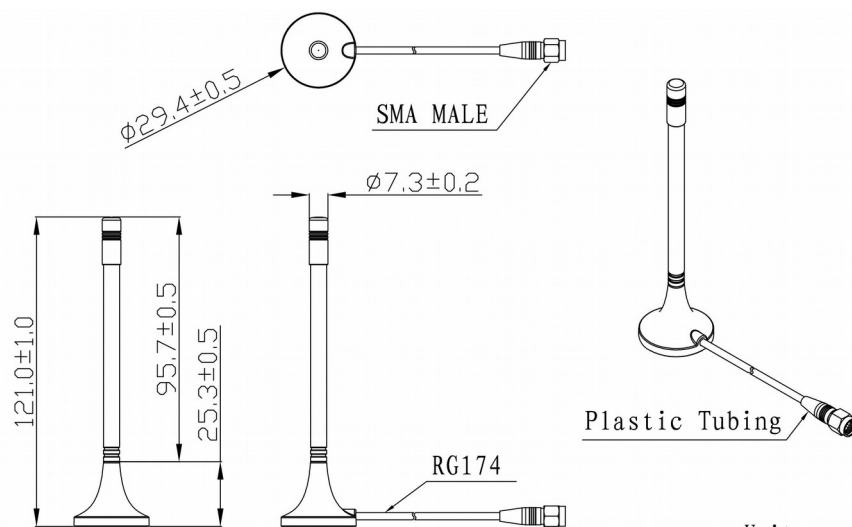
Model : 433M-ANT016



1 Part Number

433M-ANT016

2 Dimension (Unit : mm)



Unit: mm

3 Electrical Characteristics

3.1 WiFi Antenna

Item	Specifications	
Antenna	Center Frequency	433MHz
	Band Width	CF± 10MHz
	Polarization	Linear
	Gain	2.0dBi (Zenith)
	V.S.W.R	< 2.0
	Impedance	50Ω
Mechanical	Cable	RG174
	Connector	SMA or others
	Mounting Method	Magnet
Environmental	Operating Temperature	-40°C~+85°C
	Vibration	10 to 55Hz with 1.5mm amplitude 2hours
	Environmentally Friendly	ROHS Compliant

4 Radiation Pattern

