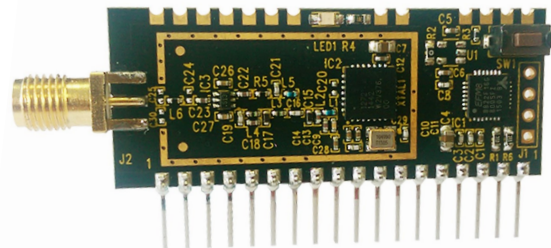
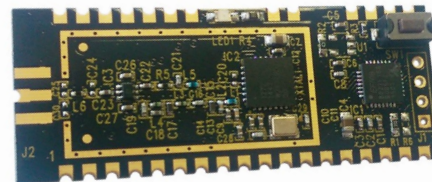


Smart LoRa Module

Features

- Range up to 16Km
- 38.4K serial data comms
- 8 Switch inputs
- 8 Digital outputs
- 4 acknowledged channels
- Spread spectrum technology
- No external components
- Low voltage 1.8–3.6V
- 'R' Version 4–9V
- 869.5 / 915MHz Versions
- +20dBm TX / -137dBm RX
- 868MHz CE / 915Mhz FCC compliant



Applications

- Remote Control
- Remote Networking
- Remote Switching
- Remote Traffic Lights

The hugely versatile GAMMA module provides a reliable, transceiver based industrial remote control for use as a modem or a bi-directional switch.

GAMMA is easy to use with direct no-volt Switch input and direct Switching Telemetry outputs and serial Data in / Data out.

The GAMMA uses the latest OFDM, spread spectrum technology and extensive algorithm enhancements to achieve an industry leading 16km (10mile) range.

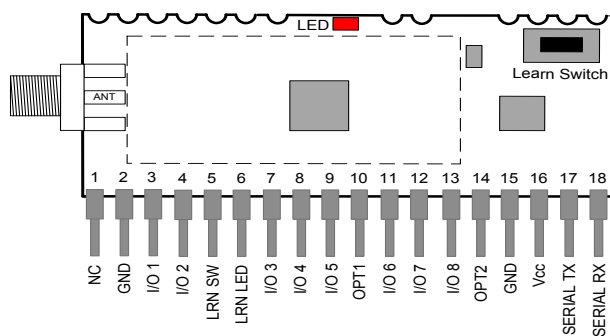
Part Numbering 1.8 - 3.6V Version

Part No	Description
GAMMA-868-SO	RF Telemetry module SMT package 868MHz
GAMMA-868	RF Telemetry module SIL package 868MHz
GAMMA-915	RF Telemetry module SIL package 915MHz
GAMMA-915-SO	RF Telemetry module SMT package 915MHz

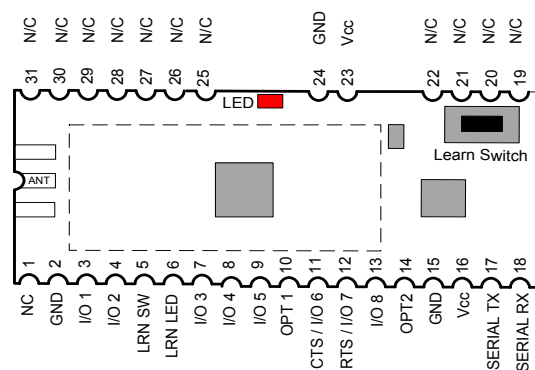
Part Numbering 4 - 9V Version

Part No	Description
GAMMA-868R-SO	RF Telemetry module SMT package 868MHz
GAMMA-868R	RF Telemetry module SIL package 868MHz
GAMMA-915R	RF Telemetry module SIL package 915MHz
GAMMA-915R-SO	RF Telemetry module SMT package 915MHz

Pin descriptions



GAMMA-XXX (SIL version)



GAMMA-XXX-SO (SMT version)

Notes

Pins are on 2.54mm pitch
Pin dims 0.4mm sq

Notes

SMT and SIL versions are hardware identical modules with or without pins and SMA fitted. Castellations are on 2.54mm pitch. Use all castellations to assist reflow.

Pin No	Name	Direction	Description
1	NC	-	Do not connect
2, 15, 24*	GND	In	Connect to ground (*SMT version only)
3, 4, 7, 8, 9, 11- 13	I/O 1-8 Or OP1-4 and IP1-4	-	<p>When configured as transmitter: Pins 3, 4, 7, 8, 9, 11, 12, 13 Inputs are internally pulled high, active low</p> <p>When configured as receiver: Pins: 3, 4, 7, 8, 9, 11, 12, 13 All outputs are internally pulled low, active high Maximum drive current per output 12.5mA (100mA total).</p> <p>Where configured as a transceiver: Pins: 3,4,7,8 outputs and pins 9, 11-13 inputs Inputs and outputs act as above.</p>
11 12	CTS RTS	In / Out	<p>RS232 flow control: Disabled as default. When enabled via config mode the function of these pins are as low level RS232 standard See RF Solutions Application Note: AN-2015-101</p>
5	LRN SW	In	<p>Internally pulled high, active low learn switch input. Connect to ground to activate. Operation directly matches the on board learn switch. Leave unconnected if not required.</p>
6	LRN LED	Out	<p>Optional LED drive output which mirrors the on-board LED. See example LED drive circuit on page 5.</p>
10, 14	OPT1, OPT2	In	<p>Option links for module type setting - see tables on page 3 for details.</p>
18 17	Serial TX RX	In / Out	<p>Serial data comms for using GAMMA as a radio modem via low level RS232</p>
16, 23*	Vcc	In	Supply voltage (*SMT version only)

Mode selection

Using the OPT option links, a GAMMA module can be configured to be a

- Telemetry Transmitter, Receiver or Transceiver,
- Serial Data Modem

For telemetry operation, two or more GAMMA modules are required to be paired together. The outputs on the GAMMA receiving will then follow the inputs on the GAMMA transmitting. Serial data communication does not require any pairing.

	OPT1 (pin10)	OPT2 (pin14)	Inputs	Outputs
Transmitter mode Operates as a transmitter. All I/O lines are dedicated as digital inputs (open/closed contact switch) and will map directly to all 8 outputs on paired receiver(s).	NC	NC	8	-
Receiver mode Operates as a receiver with digital switching outputs.	NC	GND	-	8
Telemetry transceiver Operates as a transceiver with digital switching inputs and outputs on the same board.	GND	NC	4	4
Serial MODEM Mode Operates as a serial modem sending and receiving serial data.	NC	GND	-	-

Telemetry Transmitter and Receiver modes

One or more GAMMA module(s) set to 'transmitter mode', paired with one or more 'receivers' set to 'receiver mode'. When paired, all I/O lines are mapped directly. Multiple GAMMA modules may be paired together to create many to many relationships.

Telemetry Transceiver mode

Each GAMMA configures I/O 1-4 as outputs and 5-8 as inputs allowing paired modules to send in both directions. Multiple GAMMA modules may be paired together to create many to many relationships.

Serial output operation (in Telemetry RX Mode)

In addition to updating the digital outputs status, when in Rx Telemetry Mode the GAMMA RX automatically outputs a serial data packet each time it receives a telemetry command from a paired GAMMA TX.

This enables connection of the GAMMA to computers / PLC or other host controllers.

The data packet contains data from the GAMMA TX including GAMMA TX serial number and the GAMMA TX Inputs' status.

Please see the Serial data section which explains the packet structure.

Serial output operation (in Telemetry RX Mode)

The GAMMA module has the ability to operate as a simple radio modem module, sending and receiving data.

[Further information later in this datasheet](#)

Telemetry mode - Transmit (TX)

GAMMA module configured as a transmitter

Operation:

When configured as a transmitter the GAMMA module will automatically default to low power sleep mode. A change on any input(s) will cause the GAMMA to wake, read all inputs and initiate RF transmission, (multiple input changes may take place simultaneously).

Maximum switching frequency is dependent on the LORA™ mode in which the GAMMA is operating see Configuring a GAMMA module modem for more information on LORA™ modes.

Digital inputs:

High impedance inputs, LVCMOS/LVTTL compatible, 5V tolerant. Can be connected directly to CMOS/TTL logic or switch inputs connected to 0V or VCC.

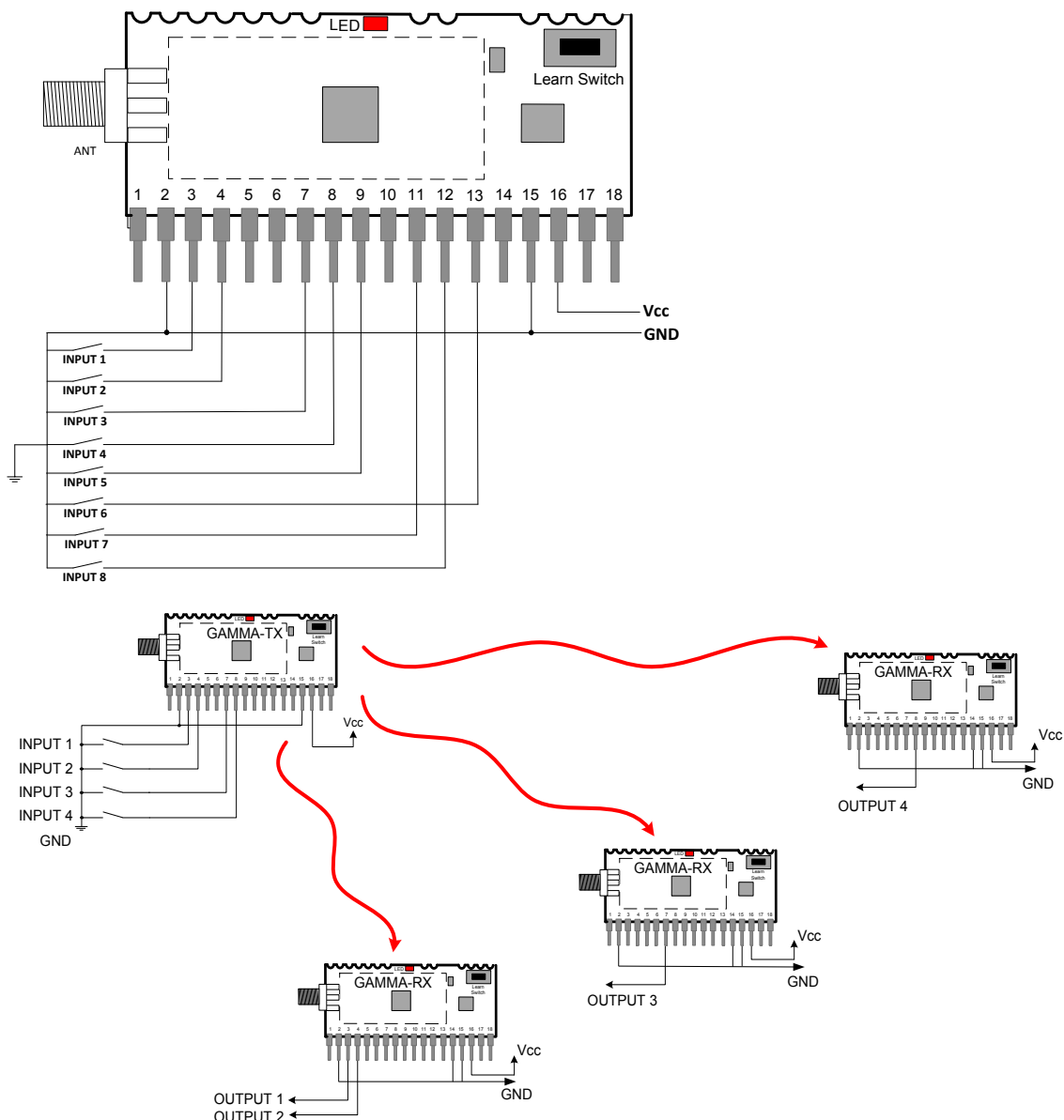
Transmitter application circuit example

Description:

This example shows a GAMMA module configured as a transmitter with all 8 inputs connected. All input switches would need to be connected to GND to activate.

Application example:

Example showing 1 transmitter paired to 3 receivers - I/O used is arbitrary.



Telemetry Mode - Receive (RX)

GAMMA module configured as a receiver

Operation:

When configured as a receiver the GAMMA module will remain in a low power listening mode. When a valid packet is received it will wake and action any output changes required.

Digital outputs:

Active high LVCMOS/LVTTL compatible outputs. Can be connected directly to CMOS/TTL logic or drive.

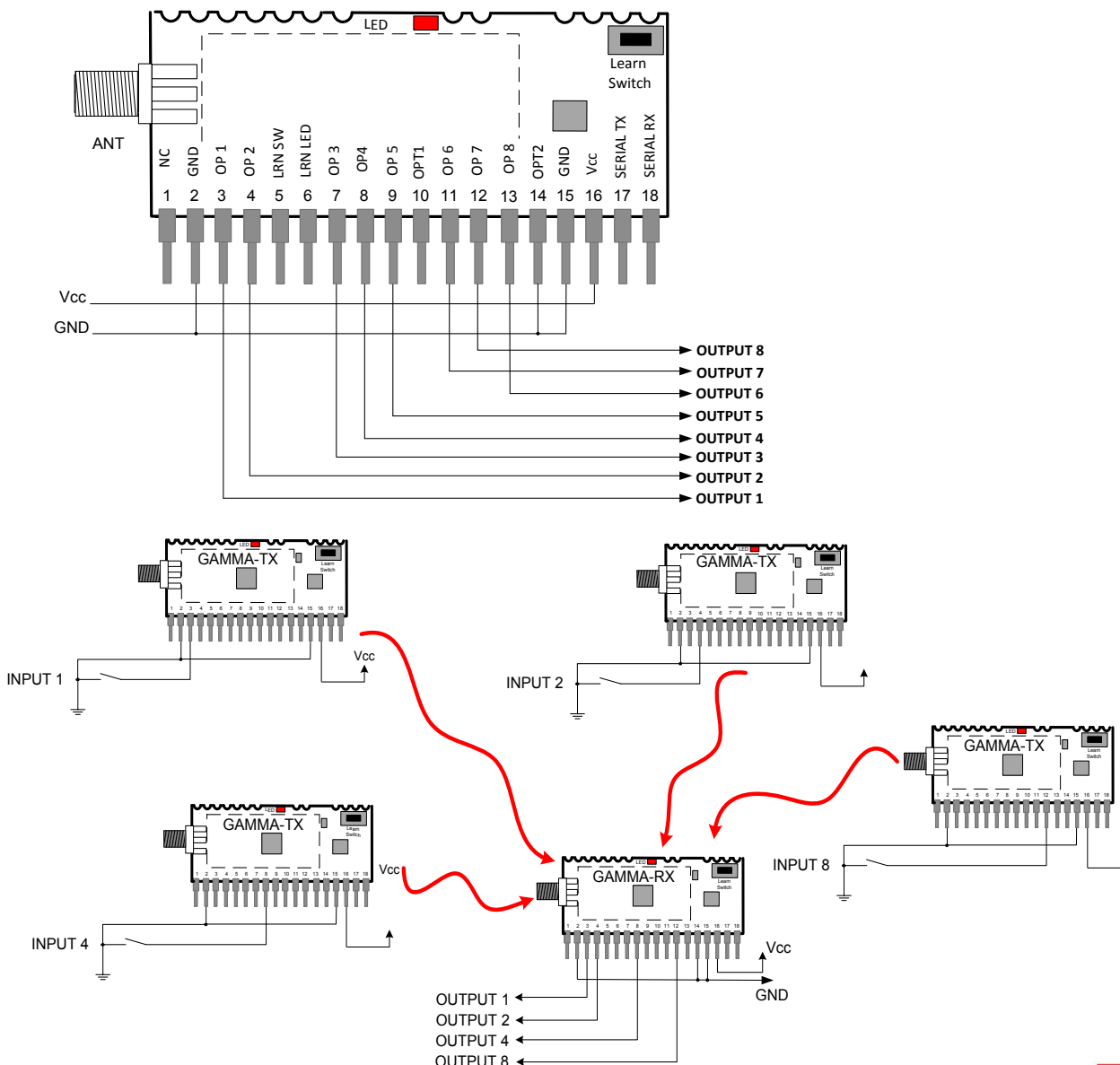
Receiver example application circuit

Description:

This example shows a GAMMA module configured as a receiver with all 8 outputs connected. The external learn switch and LED are also not fitted in this example.

Application example:

Example showing 4 transmitters paired to one single receiver - I/O used is arbitrary.



Telemetry Mode - Transceiver (TRX)

GAMMA module configured as a transceiver

Operation:

When configured as a transceiver the GAMMA module maps its I/O lines 1-4 as outputs and 5-8 as inputs (as shown below). Pairing GAMMA modules in this mode auto-maps the 4 inputs and outputs to each module. It is possible to pair systems of modules by following this format - see application examples below for more detail.

Digital I/O:

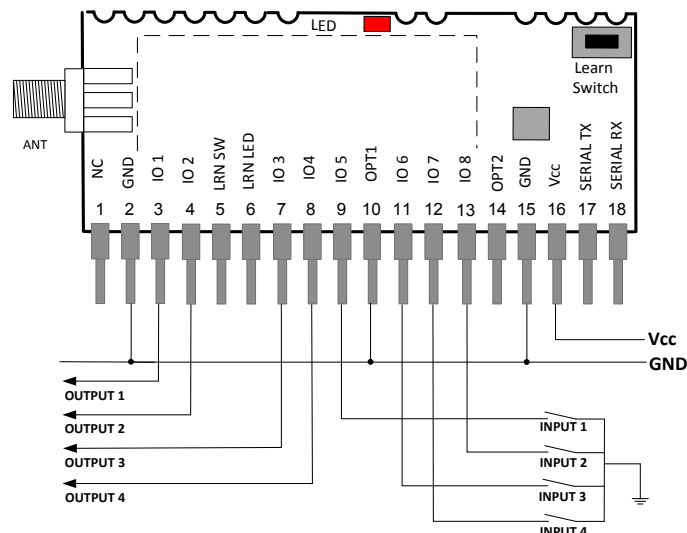
High impedance inputs, LVCMOS/LVTTL compatible, 5V tolerant. Can be connected directly to CMOS/TTL logic or switch inputs connected to 0V or VCC.

Outputs are active high LVCMOS/LVTTL compatible and can be connected directly to CMOS/TTL logic or drive. A change on the input will cause the GAMMA to wake, read all inputs and initiate RF transmission.

Feedback:

Whilst the module does not offer a feedback function it is possible to achieve this by pairing two modules together and feeding outputs back to inputs as shown in the example below

Transceiver application circuit example

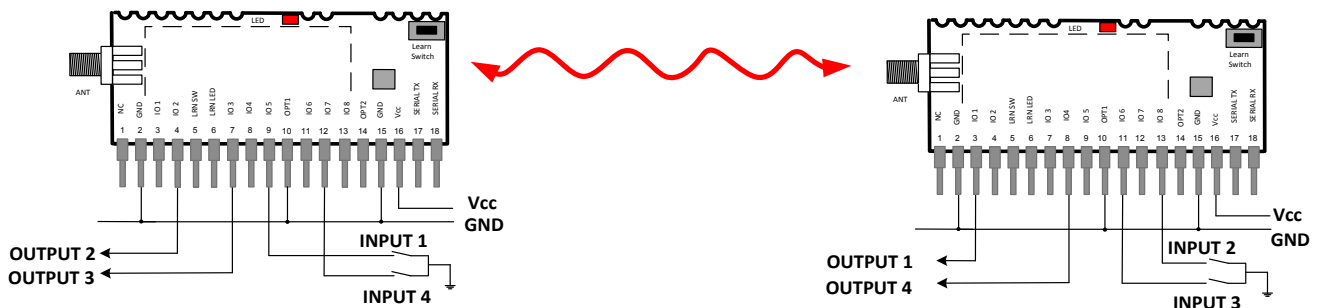


Description:

The example above shows a GAMMA module with 4 connected inputs and 4 connected outputs. Pairing modules in transceiver mode auto-maps all inputs on the remote devices to all outputs on the local device. In this way it is possible to connect modules in a chain or bi-directionally as in the below example.

Application example:

The below example shows two GAMMA modules paired in both directions.



Please note:

GAMMA digital Outputs are active high, but GAMMA digital inputs are active low therefore if connecting multiple GAMMA modules directly together to extend range the outputs will require inverting before applying to GAMMA inputs.

Pairing GAMMA modules

Each GAMMA module has a unique serial number identity. GAMMA modules may be paired together using the LEARN button/input so that they operate as systems in: one-to-one, one-to-many and many-to-one formats.

Each GAMMA can store 70 GAMMA paired identities.

Pairing is applicable in all modes except serial data mode.

Pairing Process, pair one module into another:

1. Press and hold the 'LEARN' button (or activate the 'LEARN' input) on a GAMMA module (Receiver module "RX") for two seconds or until the learn LED begins to flash. This places the module in pairing mode.
2. On another GAMMA module (Transmitter module "TX") briefly press/activate the 'LEARN' button (this sends a pairing packet to the RX).
3. GAMMA RX, has now paired with the GAMMA TX.
4. Briefly press the 'LEARN' button to exit the mode on RX.

Note: This process must be repeated in reverse for a telemetry system using transceiver mode.

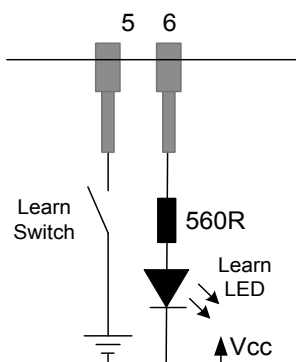
Erase Process:

1. Press and hold the 'LEARN' button until LED stops flashing,
2. On release of LEARN switch, LED flashes at high speed several times to confirm Erase Complete

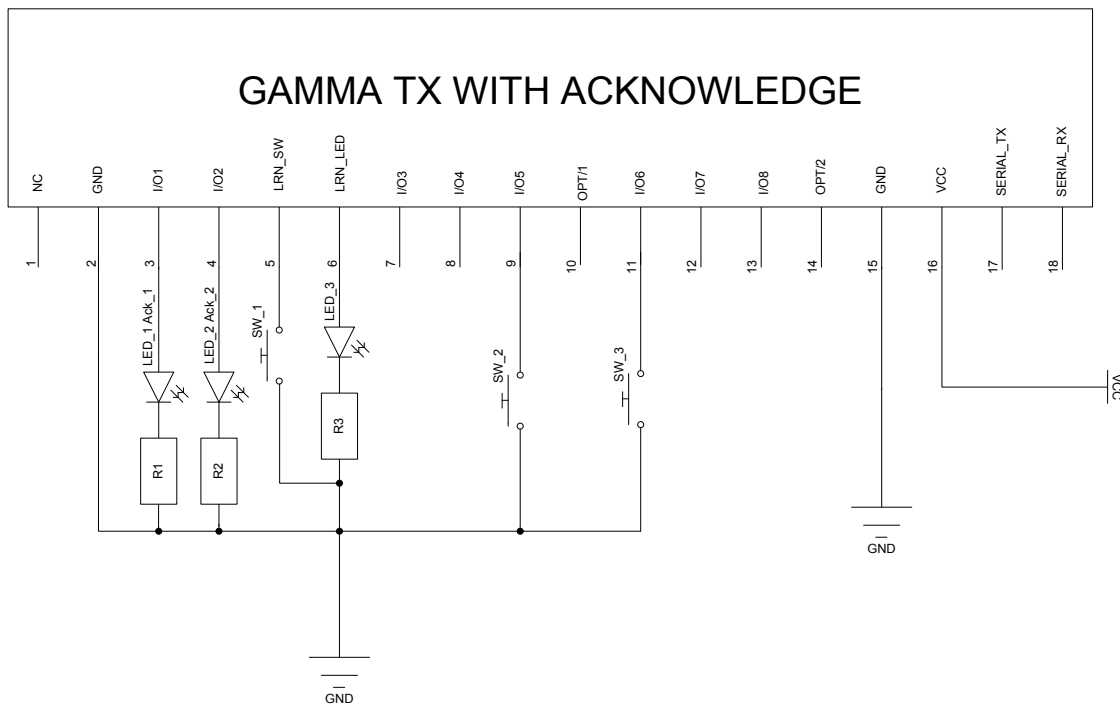
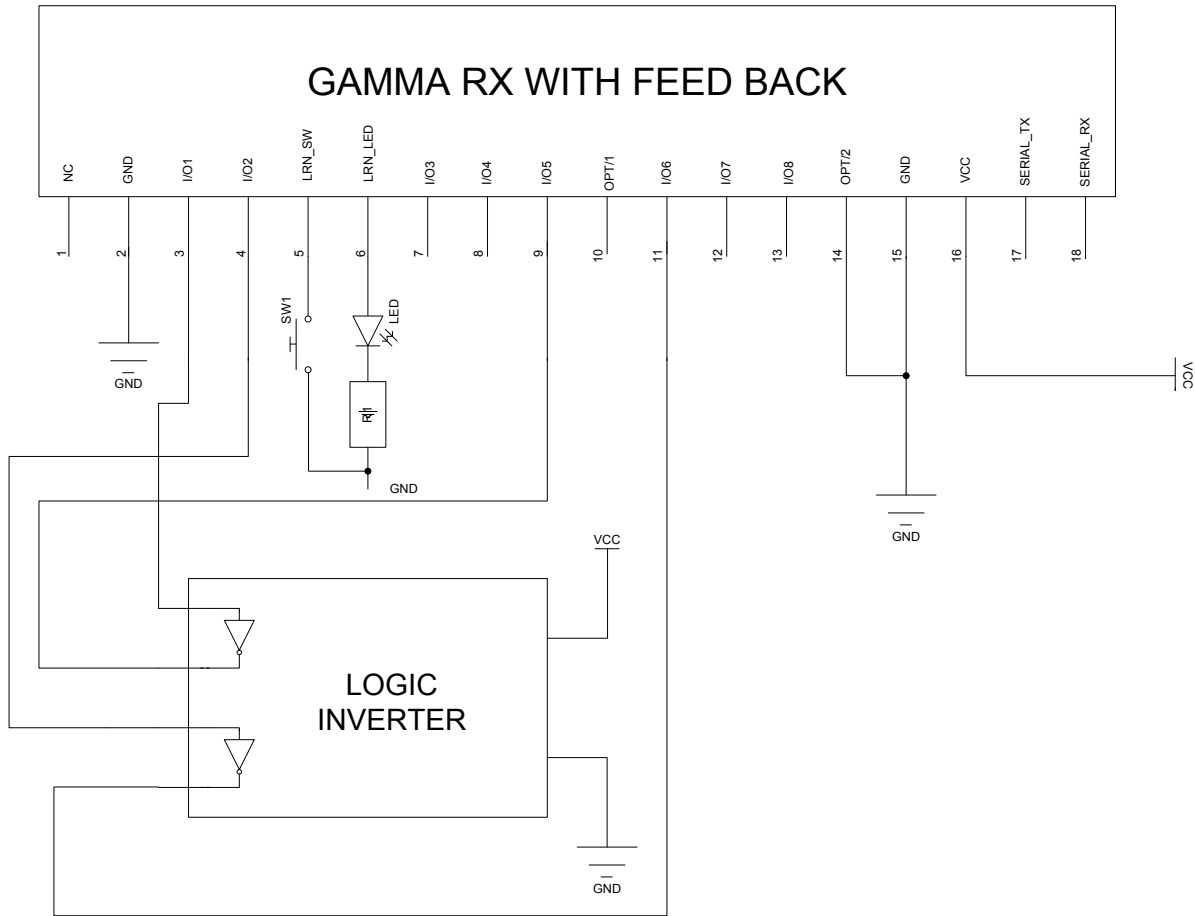
LED Status Indication

Mode	LED	Description
Normal operation	Flashes ON	Module is transmitting or receiving data
	OFF	No RF data is being transmitted/received
Configuration/ LEARN mode	Brief flash	Learn packing being sent
	Flashing at low speed	GAMMA module is in learn mode and searching for another module to pair with. Note: Learn mode does not time out
	Flashing at high speed for 2secs	GAMMA pairing successful or erase successful

Optional external learn switch and LED example circuit



GAMMA module Transceiver mode with feedback example



GAMMA module - Serial data modem operation

GAMMA module can send and receive serial data at LVTTTL level

Operation:

The GAMMA module has the ability to operate as a simple radio modem module, sending and receiving data from point-to-point or multi-point. A GAMMA module will send data presented to the TX pin.

All GAMMA modules within range; will output the data via their RX pins.

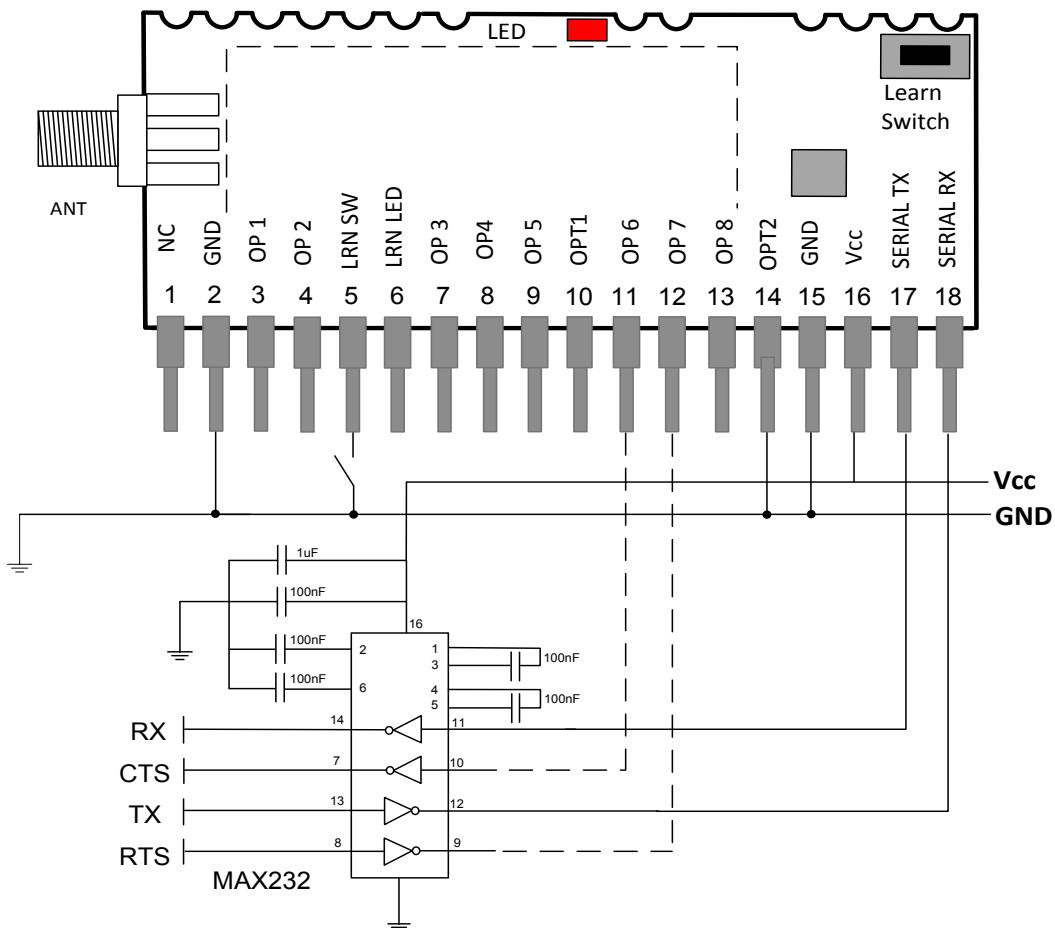
Whilst the GAMMA will work as a modem, out-of-the-box (see default settings in below) It is also possible to configure more complex operation by changing parameters of operation using configuration mode.

Note that if a GAMMA Module is paired with another module, when an RF command is received to update the digital outputs. The GAMMA module will also output a serial data string showing output status

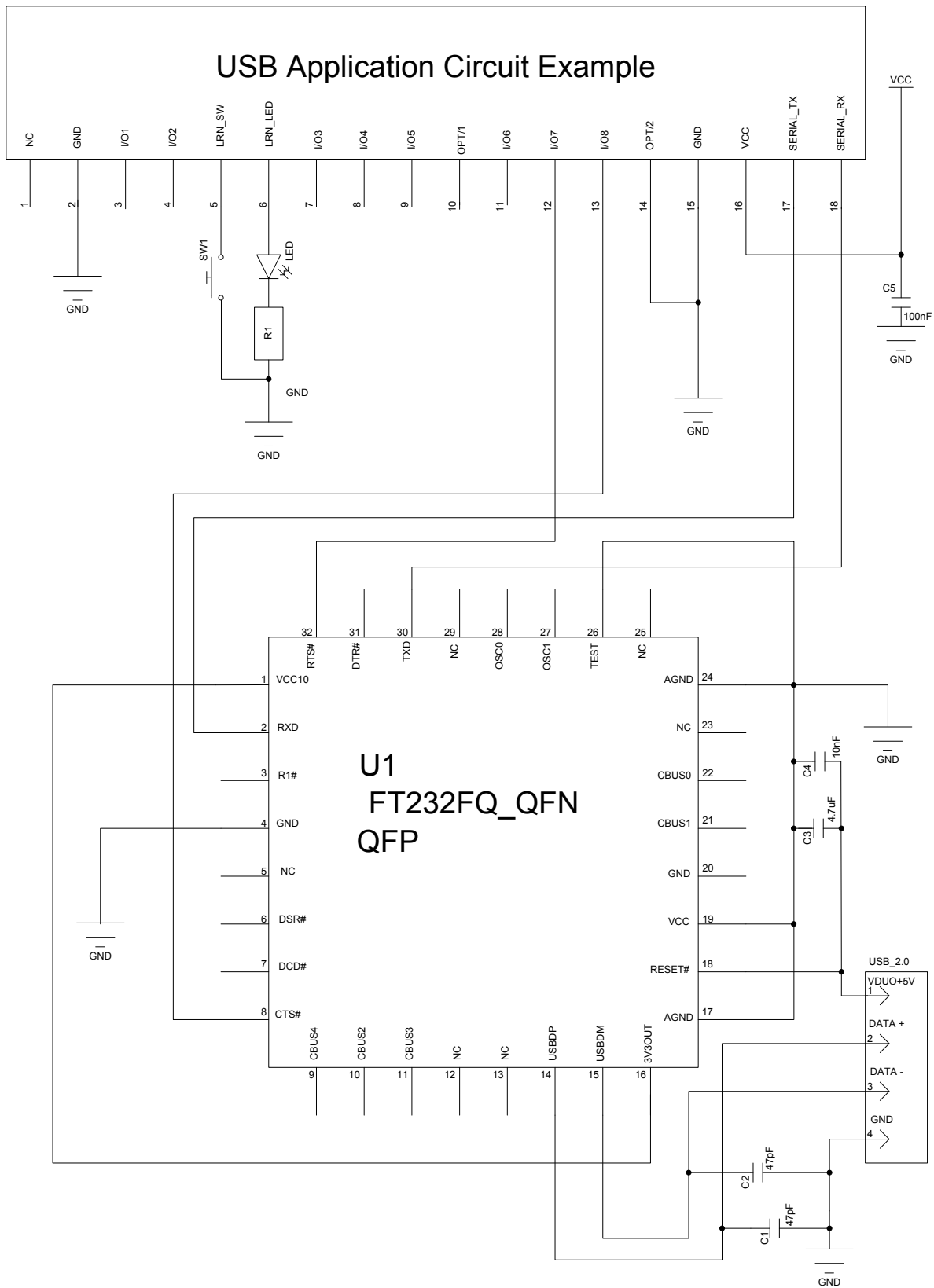
Serial data packet (output after every packet received)

Byte 0	Byte 1	Byte 2	Byte 3	Byte 4	Byte 5	Byte 6	Byte 7	Byte 8	Byte 9	Byte 10
#	SN1	SN2	SN3	IP1-8	IP9-16	SPARE	SPARE	STATUS	PKT ID	RSSI
	Serial number byte 1	Serial number byte 2	Serial number byte 3	Bit mapped IP1 to LSB IP8 to MSB	Bit mapped IP9 to LSB IP16 to MSB				Changing pseudo random number to identify each packet.	-139 + RSSI Value received = dBm

Serial data output application circuit example



USB application circuit example - FT232 chipset



Configuring a GAMMA module modem:

In Serial Data modem mode the GAMMA module is a transparent link, passing serial data received on the TX pin to all other GAMMA modules which in turn send the data received to their connected host via the receive pin. In order to change the configuration settings the GAMMA module must be placed into config/Learn Mode. Data is then processed internally by the module instead of being transmitted via RF.

Please Note: When in Config/learn mode modules will always communicate at a default baud rate of 9600kbps it does not matter what baud rate is set with #B command.

Default LVTTTL Comms RS232:

Data bits: 8
 Parity: None
 Stop bits: 1
 Flow control: Hardware CTS/RTS if enabled
 Buffer size: 250bytes
 Timeout: 2 bytes (time dependent on baud rate)
 Data bytes: 11 bytes

GAMMA module factory defaults:

Local address: 7F7F7F
 Destination address: 7F7F7F
 Handshaking: OFF
 LoRa™ Mode: 5
 Host baud rate: 9600kbps
 O/P power: +20dBm

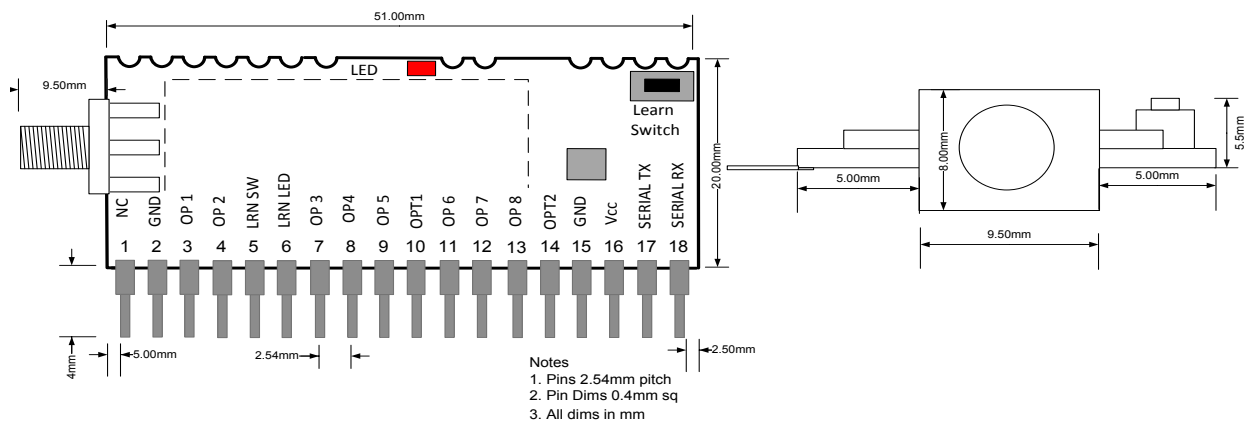
Configuration commands:

Command	Description	Options / example packet														
#C	<p>Set LORA™ mode and power output</p> <p>GAMMA can be set to operate in different LORA™ modes, trading off range with speed of operation.</p> <p>With a lower LORA mode the data packet is much shorter but the maximum range achievable is also shorter.</p> <p>In mode 6 the GAMMA has been tested to 16km</p>	<p>#C<LORA MODE 1-6 (SF6-12)><O/P POWER 1-15(-1 - +20dBm)></p> <p>Where: SF6 = Short range / high speed SF12 = Long range / low speed Power 1 = +5dBm Power 15 = +20dBm</p> <p>Output power is set in 1dbm increments from +5 to +20.</p> <p>ASCII example: #C 006 015 GAMMA set to longest range and max. power.</p> <p>Please Note: all option values are byte decimal values.</p> <table border="1" data-bbox="737 1720 1401 1977"> <thead> <tr> <th>LORA MODE</th> <th>Packet length</th> </tr> </thead> <tbody> <tr> <td>001</td> <td>55ms</td> </tr> <tr> <td>002</td> <td>90ms</td> </tr> <tr> <td>003</td> <td>180ms</td> </tr> <tr> <td>004</td> <td>360ms</td> </tr> <tr> <td>005</td> <td>720ms</td> </tr> <tr> <td>006</td> <td>1.02 sec</td> </tr> </tbody> </table>	LORA MODE	Packet length	001	55ms	002	90ms	003	180ms	004	360ms	005	720ms	006	1.02 sec
LORA MODE	Packet length															
001	55ms															
002	90ms															
003	180ms															
004	360ms															
005	720ms															
006	1.02 sec															

Configuration commands continued:

Command	Description	Options / example packet																		
#A	<p>Sets the send to and local address:</p> <p>Pre-configured factory defaults; L_ADD = 7F7F7F D_ADD= 7F7F7F</p>	<p>#A<L_ADD1><L_ADD2><L_ADD3><D_ADD1><D_ADD2><D_ADD3></p> <p>Where: L_ADD are local address bytes 1 3 D_ADD destination address bytes 1-3</p> <p>Example: #A 125 125 125 126 126 126 Sets the Local address to 125 125 125 Sets the Destination address to 126 126 126</p> <p>Please note the Address must be sent as byte values. Example:</p> <table border="1"> <thead> <tr> <th>Command</th> <th>#</th> <th>A</th> <th>7D</th> <th>7D</th> <th>7D</th> <th>7E</th> <th>7E</th> <th>7E</th> </tr> </thead> <tbody> <tr> <td>ASCII Value</td> <td>035</td> <td>065</td> <td>125</td> <td>125</td> <td>125</td> <td>126</td> <td>126</td> <td>126</td> </tr> </tbody> </table>	Command	#	A	7D	7D	7D	7E	7E	7E	ASCII Value	035	065	125	125	125	126	126	126
Command	#	A	7D	7D	7D	7E	7E	7E												
ASCII Value	035	065	125	125	125	126	126	126												
#H	Turn on handshaking CTS / RTS enable or disable command	<p>#H 001</p> <p>Enables handshaking - set 0 to disable</p>																		
#B	Set serial baud rate	<p>#B <000-004></p> <p>Where: 000 = 9600(default) 001 = 19200 002 = 28800 003 = 38400 004= 56000</p> <p>Example: Set the Baud to 38K4: #B 003</p>																		
#?	Get local settings Returns all configured settings	<p>#? Returns a single packet containing 11 bytes as follows: <L_ADD1><L_ADD2><L_ADD3> <D_ADD1><D_ADD2><D_ADD3> <NULL Value> <LORA Mode> <RF Power> <Handshaking> <Baud rate></p>																		
#Q	Reset device	<p>All changes on the GAMMA are carried out in real time and saved after each change. However none become active until the module is reset either using this command or by power cycling.</p>																		

Mechanical Dimensions



Range Considerations

The antenna choice and position directly affects the system range, keep it clear of any large metal parts. The best position is protruding vertically from the top of the product. This is often not desirable for practical reasons and thus a compromise may be needed. Note that the space around the antenna is as important as the antenna itself, all radio systems are dependent on a radio signal being received through airspace.

The range quoted is the optimal in direct line of sight, without obstacles and in good atmospheric conditions.

Range is affected by many things, for example local environmental conditions, atmospheric conditions, interference from other radio transmitters. For evaluating the local environment please see our RF meter (DS006)

Self Test / Walk Test mode

The GAMMA module incorporates a self test which is initiated by applying power with the learn button being held down.

With the Option Link set to **TRANSMITTER** Mode

1. The GAMMA module will beacon out a PING signal (on board LED indicates a Transmit)
2. If a GAMMA Receiver receives this signal it will acknowledge. The on board LED indicates acknowledge with a short LED illumination
3. A reset will be required to exit.

With the Option Link set to **RECEIVER** Mode

1. The GAMMA module Enters RSSI (Received Signal Strength Indicator) mode where outputs 1-8 are activated as a bar graph type output according to the strength of a valid RF signal received from any carrier.
2. A reset will be required to exit.

Technical Specifications

Absolute Maximums:

Temperature range: Storage: -50 to +125°C. Operating: -10 to +50°C (tested)

Parameter	Min	Max	Units
Supply voltage Standard version	2.7	3.6	V
Supply voltage high Voltage version	4	9.0	V
Voltage on any input	-0.3	5.8	V
Max input power (through RX antenna)		+10	dBm
Max current sourced / sunk (Per I/O)		15	mA
Max current sourced / sunk (Total)		100	mA

DC Characteristics

Parameter	Min	Typical	Max	Units
Supply voltage	2.7	3.3V	3.6	V
Operating temperature	-40		+85	°C
GAMMA- TX supply current: When transmitting	145		155	mA
When sleeping	0.2			uA
GAMMA- RX supply current: When receiving	19	20	23	mA

AC Characteristics

Parameter	Min	Typical	Max	Units
Operating frequency		869.5		MHz
Operating frequency for 915MHz version		915.00		MHz
Operating temperature	-40		+85	°C
GAMMA- TX output power			+20	dBm
GAMMA- RX Sensitivity	-121		-137	dBm

GAMMA Module

RF meter

RF Multi Meter is a versatile handheld test meter that checks radio signal strength or interference in a given area. The Multi-Meter can both transmit and receive signals making it possible to test a location for suitability before installing equipment. The Multi-Meter is very hard wearing, long lasting and simple to use. It has 4 selectable frequencies, changeable at the touch of a button. It also has an auto shut off feature for battery saving.



RF Solutions Ltd. recycling notice

Meets the following EC Directives:

DO NOT Discard with normal waste, please recycle.

ROHS Directive 2002/95/EC

Specifies certain limits for hazardous substances.

WEEE Directive 2002/96/EC

Waste electrical & electronic equipment. This product must be disposed of through a licensed WEEE collection point. RF Solutions Ltd., fulfils its WEEE obligations by membership of an approved compliance scheme.

RF Solutions Ltd.,
William Way, Burgess Hill,
West. Sussex. RH15 9AG. England.

Email : sales@rfsolutions.co.uk support@rfsolutions.co.uk
<http://www.rfsolutions.co.uk>

Tel Sales: +44(0) 1444 227 900

Tel support: +44(0) 1444 227 909

Whilst the information in this document is believed to be correct at the time of issue, RF Solutions Ltd does not accept any liability whatsoever for its accuracy, adequacy or completeness. No express or implied warranty or representation is given relating to the information contained in this document. RF Solutions Ltd reserves the right to make changes and improvements to the product(s) described herein without notice. Buyers and other users should determine for themselves the suitability of any such information or products for their own particular requirements or specification(s). RF Solutions Ltd shall not be liable for any loss or damage caused as a result of user's own determination of how to deploy or use RF Solutions Ltd's products. Use of RF Solutions Ltd products or components in life support and/or safety applications is not authorised except with express written approval. No licences are created, implicitly or otherwise, under any of RF Solutions Ltd's intellectual property rights. Liability for loss or damage resulting or caused by reliance on the information contained herein or from the use of the product (including liability resulting from negligence or where RF Solutions Ltd was aware of the possibility of such loss or damage arising) is excluded. This will not operate to limit or restrict RF Solutions Ltd's liability for death or personal injury resulting from its negligence.