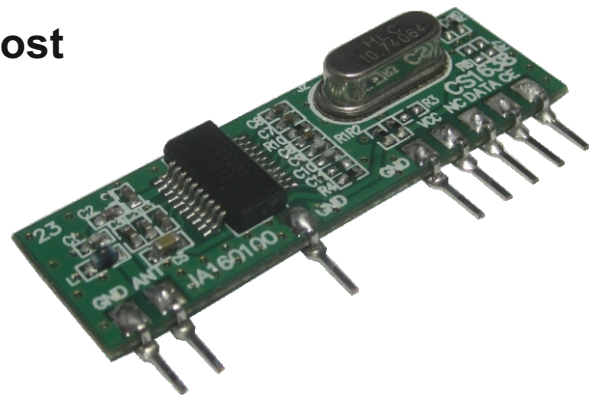


433.92MHz AM Superhet receiver Low Cost

RCRX5-434 is an AM superhet data receiver with PLL synthesizer and crystal oscillator. ASK/OOK modulation. Very Low Cost version.



Technical Characteristics

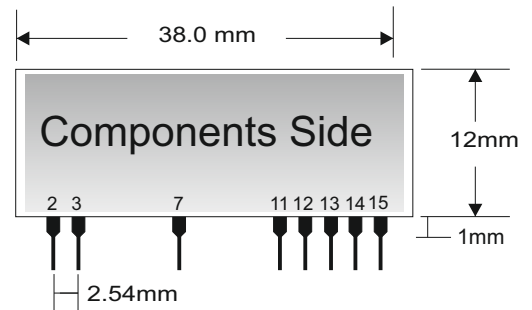
Characteristics	MIN	TYP	MAX	UNIT
V _{CC} Supply Voltage	2.2		5.2	VDC
I _s Supply Current (RX mode)		5.5		mA
I _s Current Consumption (Shut down mode)		1		μA
S RF Sensitivity		-108		dBm
D Max Data Rate		10		Kbit/s
B RF Bandwidth 3dB		300		KHz
T Operating Temperature Range	-20		+80	°C

PIN OUT

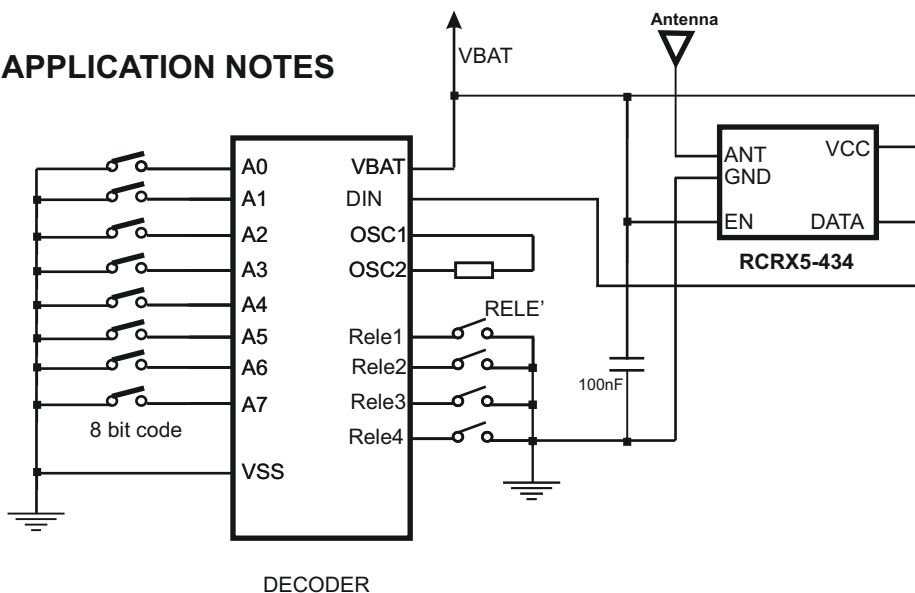
Pads	Name	Description
2	GND	Ground
3	IN	Antenna
7	GND	Ground
11	GND	Ground
12	VCC	VCC
13	----	Not Used
14	OUT	Data Out
15	EN	Enable

EN = 0V ----> RX OFF

Mechanical dimensions



APPLICATION NOTES



Applications :

- Wireless security systems
- Home and building automation
- Automatic Measure Reading
- Wireless Sensor Network