

# GT8660 G510 Adapter Board

REVERSION: V1.2

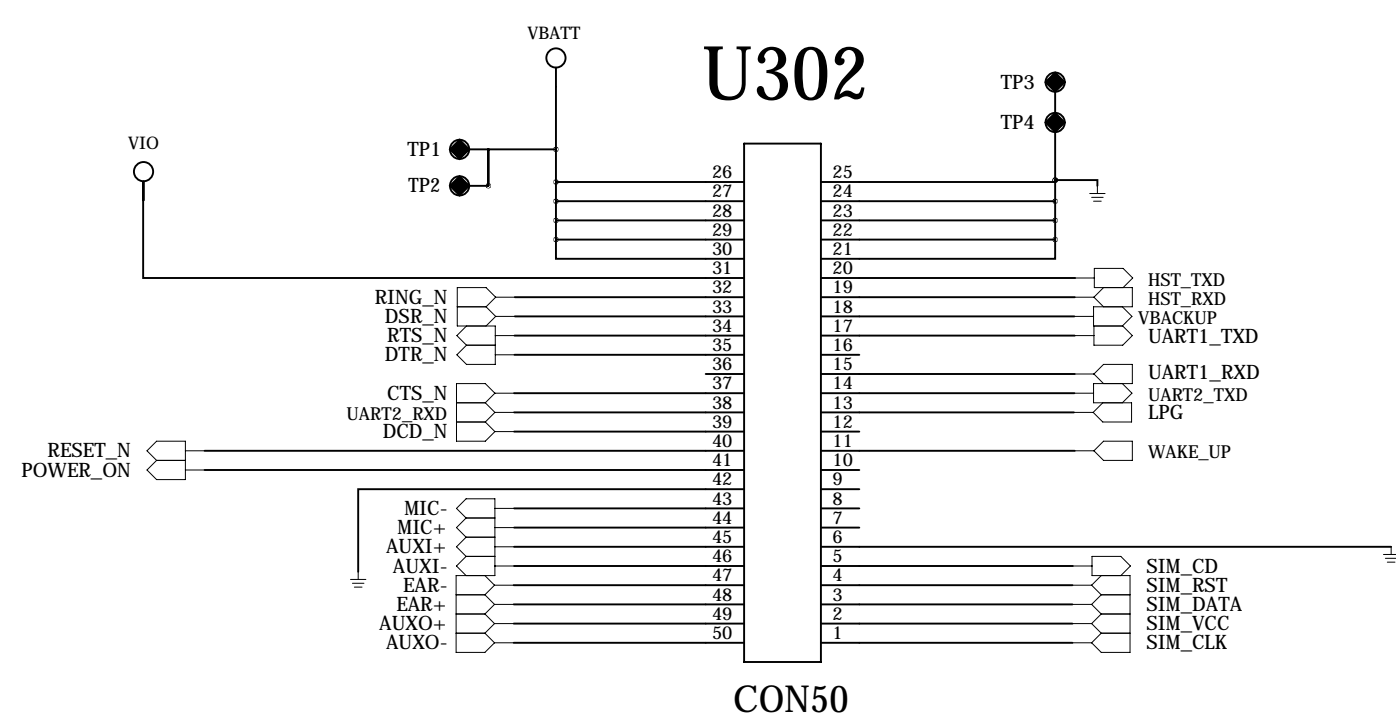
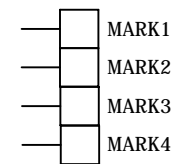
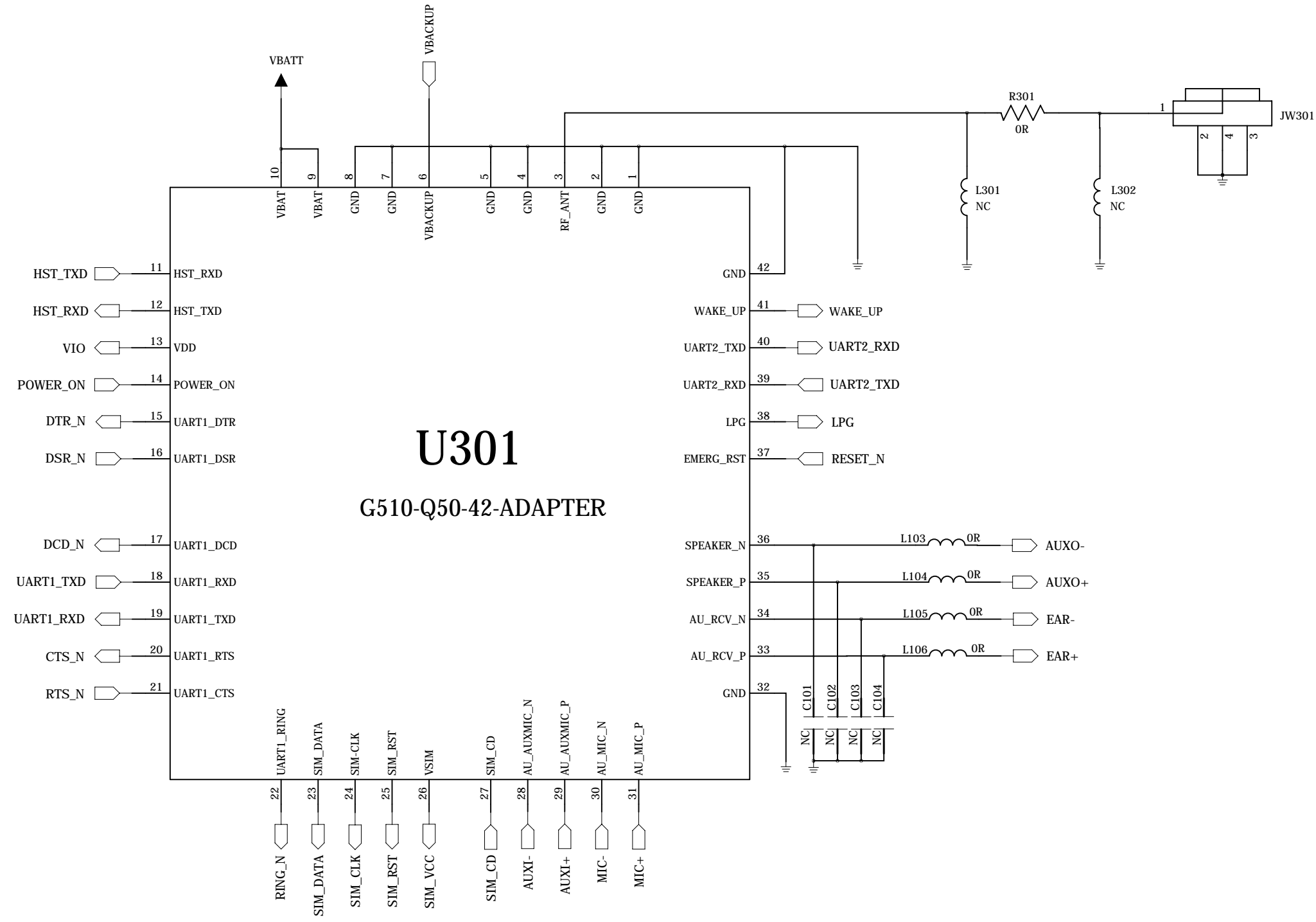
DATE: 2013-06-04

SECRET: CONFIDENTIAL

COMPANY:	FIBOCOM Wireless Inc		
TITLE:	CHANGE NOTE		
CODE:		PROJECT:	GT8660
SIZE:	C	REV:	V1.2
DATED:	2013-06-04	SHEET	OF3

Date	Change Note
20130129	U301 Exchange name HST_TXD and HST_RXD;UART1_TXD and UART1_RXD ;UART2_TXD and UART2_RXD;RTS and CTS
20130129	U301 Exchange name DTR and DSR ;exchange net DTR and DSR
20130604	U301 change Pin name U302 change Pin number
20130604	Delete R302 ,U301 Pin40 exchange net RXD_N to U302 Pin38 UART2_RXD Delete R303 ,U301 Pin39 exchange net TXD_N to U302 Pin14 UART2_TXD
20130604	Delete R304 ,U301 Pin11 exchange net TXD_N to U302 Pin20 HST_TXD Delete R305,U301 Pin12 exchange net RXD_N to U302 Pin19 HST_RXD
20130604	Delete R306 ,U301 Pin18 exchange net TXD_N to U302 Pin17 UART1_TXD Delete R307 ,U301 Pin19 exchange net RXD_N to U302 Pin15 UART1_RXD
20130604	U301 Pin6 add net VBACKUP to U302 Pin18 U301 Pin41 add net WAKE_UP to U302 Pin11
20130604	Delete test point POWER_ON;RESET;VBACKUP;WAKE_UP;VIO

COMPANY:	FIBOCOM Wireless Inc		
TITLE:	CHANGE NOTE		
CODE:		PROJECT:	GT8660
SIZE:	C	REV:	V1.2
DATED:	2013-06-04	SHEET	OF3



COMPANY:	FIBOCOM Wireless Inc		
TITLE:	CHANGE NOTE		
CODE:		PROJECT:	GT8660
SIZE:	C	REV:	V1.2
DATED:	2013-06-04	SHEET:	OF3