



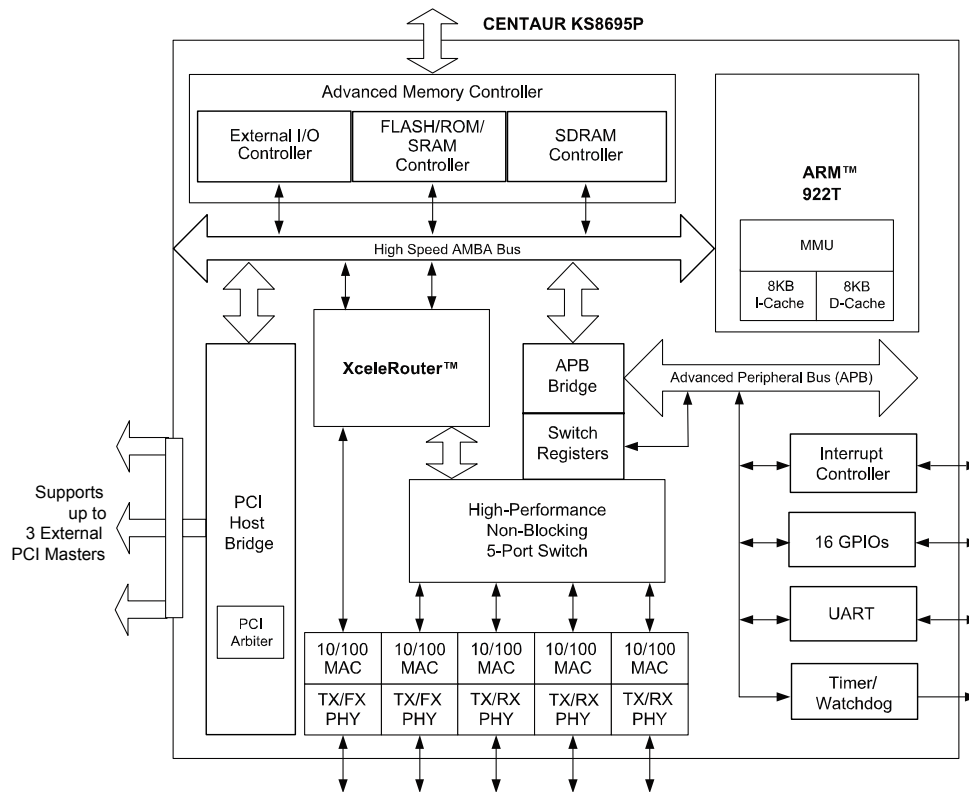
### General Description

The CENTAUR KS8695P, Multi-Port PCI Gateway Solution, delivers a new level of networking integration, performance, and overall BOM cost savings, enabling original equipment manufacturers (OEMs) to provide customers with feature-rich, low-cost solutions for the residential gateway and small office environment.

- Integration of a PCI arbiter supporting three external masters.
  - Allows incorporation of a variety of productivity enhancing system interfaces, including the expanding 802.11 a/g/b wireless LAN.
- High-performance ARM™ CPU (ARM9) with 8KB I-cache, 8KB D-cache, and a memory management unit (MMU) for Linux and WinCE® support.

- XceleRouter™ technology to accelerate packet processing.
- Proven wire-speed switching technology that includes 802.1Q tag-based VLAN and quality of service (QoS) support.
- Five patented mixed-signal, low-powered Fast Ethernet transceivers with corresponding media access control (MAC) units.
- Advanced memory interface with programmable 8/16/32-bit data and 22-bit address bus with up to 64MB of total memory space for Flash, ROM, SRAM, SDRAM, and external peripherals.

### Functional Diagram



XceleRouter is a trademark of Micrel, Inc. AMD is a registered trademark of Advanced Micro Devices, Inc. ARM is a trademark of Advanced RISC Machines Ltd. Intel is a registered trademark of Intel Corporation. WinCE is a registered trademark of Microsoft Corporation.

## Features

The CENTAUR KS8695P featuring XceleRouter technology is a single-chip, multi-port PCI "gateway-on-a-chip" with all the key components integrated for a high-performance and low-cost broadband gateway.

- **ARM9 High-Performance CPU Core**
  - ARM9 core at 166MHz
  - 8KB I-cache and 8KB D-cache
  - Memory management unit (MMU) for Linux and WinCE
  - 32-bit ARM and 16-bit thumb instruction sets for smaller memory footprints
- **33MHz 32-Bit PCI Interface**
  - Version PCI 2.1
  - Supports bus mastership or guest-mode
  - Supports normal and memory-mapped I/O
  - Support for miniPCI and cardbus peripherals
- **Integrated Ethernet Transceivers and Switch Engine**
  - Five 10/100 Ethernet transceivers and five MACs (1P for WAN interface, 4P for LAN switching)
  - 100BASE-FX mode option on the WAN port and one LAN port
  - Automatic MDI/MDI-X crossover on all ports
  - Wire-speed, non-blocking switch
  - 802.1Q tag-based VLAN (16 VLANs, full range VID)
  - Port-based VLAN
  - QoS/CoS packet prioritization support: per port, 802.1p, and DiffServ-based
  - 64KB on-chip frame buffer SRAM
  - VLAN ID and 802.1P tag/untag option per port
  - 802.1D Spanning Tree Protocol support
  - Programmable rate-limiting per port: 0Mbps to 100Mbps, ingress and egress, rate options for high and low priority
  - Extensive MIB counter management support
  - IGMP snooping for multicast packet filtering
  - Dedicated 1K entry look-up engine
  - Port mirroring/monitoring/sniffing
  - Broadcast and multicast storm protection with % control global and per port basis
  - Full- and half-duplex flow control
- **XceleRouter Technology**
  - TCP/UDP/IP packet header checksum generation to offload CPU tasks
  - IPv4 packet filtering on checksum errors
  - Automatic error packet discard
  - DMA engine with burst-mode support for efficient WAN/LAN data transfers
  - FIFOs for back-to-back packet transfers

- **Memory and External I/O Interfaces**
  - 8/16/32-bit wide shared data path for Flash, ROM, SRAM, SDRAM, and external I/O
  - Total memory space up to 64MB
  - Intel®/AMD®-type Flash support
- **Peripheral Support**
  - 8/16/32-bit external I/O interface supporting PCMCIA or generic CPU/DSP host I/F
  - Sixteen general purpose input/output (GPIO)
  - Two 32-bit timer counters (one watchdog)
  - Interrupt controller
- **System Design**
  - Up to 166MHz CPU and 125MHz bus speed
  - 289 PBGA package (19mm x 19mm) saving board real estate
  - Two power supplies: 1.8V core and Ethernet RX supply, 3.3V I/O and Ethernet TX supply
  - Built-in LED controls
- **Debugging**
  - ARM9 JTAG debug interface
  - UART for console port or modem back-up
- **Power Management**
  - CPU and system clock speed step-down options
  - Low-power Ethernet transceivers
  - Per port power-down and Ethernet transmit disable
- **Reference Hardware and Software Evaluation Kit**
  - Hardware evaluation board (passes class B EMI)
  - Board support package including firmware source codes, Linux kernel, and software stacks
  - Complete hardware and software reference designs available

## Applications

- Multi-port wireless VoIP gateway
- Wireless mesh network node
- RG + combo 802.11 a/b/g/n access point
- Multimedia gateway
- Digital audio access point
- Network storage element
- Multi-port broadband gateway
- Multi-port firewall and VPN appliances
- Combination wireless and wireline gateway
- Fiber-to-the-home managed CPE

## Ordering Information

Commercial Part Number		Temperature Range	Package
Standard	Pb (lead)-Free		
KS8695P	KSZ8695P	0° to +70°C	289-Pin PBGA

Industrial Part Number		Temperature Range	Package
Standard	Pb (lead)-Free		
KS8695PI	KSZ8695PI	-40° to +85°C	289-Pin PBGA

## Revision History

Revision	Date	Summary of Changes
0.9	05/13/03	Created.
0.91	06/04/03	Corrected WRSTPLS sets WRSTO to active low when '1', and active high when '0'.
0.92	06/10/03	Changed pin A1 to GND. Changed pin E3, H7, J7, K7, L7 to AGND. Changed Figure 5 WRSTPLS to pull up.
0.93	07/11/03	Removed PCI 2.2 compliance. Removed TM from Centaur. Added LANFXSD1 signal description.
0.94	07/17/03	Updated DC Electrical Characteristics.
0.95	08/11/03	Added addressing description to memory controller and address pin description Table 11. Changed PRSTN to input in Table 10.
1.0	09/02/03	Changed Figure 1. Removed old register address tables and replaced with Figure 11. Added Memory Interface examples, Figures 7,8, and 9. Added memory interface description, section 2.5.
1.1	09/29/03	Changed Figure 2.
1.2	08/04/04	Transferred to Micrel format and updated System Clock.
1.3	01/27/05	Added recommended reset circuit.
1.4	08/18/05	Added wireless applications. Added Pb-Free and industrial specification. Edits to Pin Description Table.
1.5	05/18/06	Added Pb-Free option for industrial specification.

## Contents

<b>System Level Applications</b> .....	5
<b>Pin Description</b> .....	6
<b>Pin Configuration</b> .....	14
<b>Functional Description</b> .....	15
Introduction.....	15
CPU Features.....	15
PCI to AHB Bridge Features.....	15
Switch Engine.....	16
Advanced Memory Controller Features.....	16
Direct Memory Access (DMA) Engines.....	16
Protocol Engine and XceleRouter™ Technology.....	16
Network Interface.....	16
Peripherals.....	17
Other Features.....	17
<b>Signal Description</b> .....	18
System Level Hardware Interfaces.....	18
Configuration Pins.....	18
Reset.....	19
System Clock.....	20
Memory Interface.....	21
Signal Descriptions by Group.....	25
<b>Address Map and Register Description</b> .....	35
Memory Map.....	35
Memory Map Example.....	35
Register Description.....	35
<b>Absolute Maximum Ratings</b> .....	36
<b>Operating Ratings</b> .....	36
<b>Electrical Characteristics</b> .....	36
<b>Timing Diagrams</b> .....	38
<b>Package Information</b> .....	42

# System Level Applications

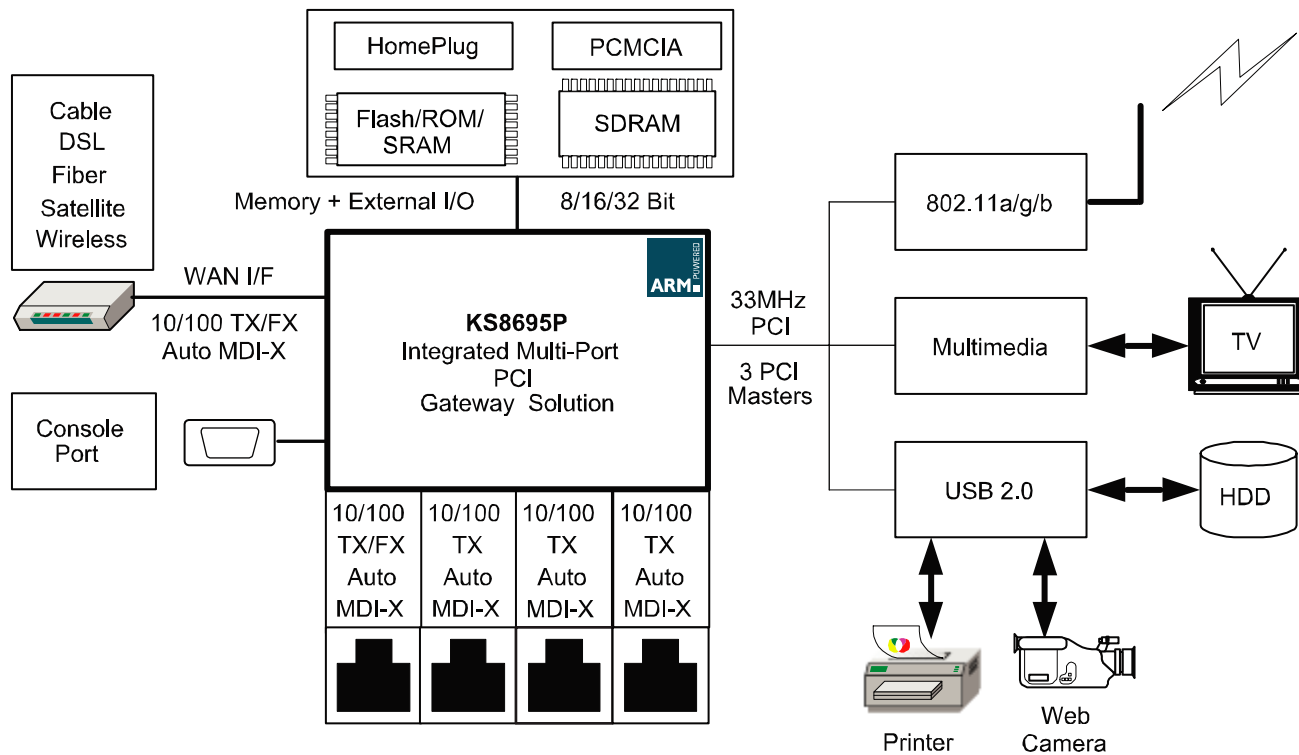


Figure 1. KS8695P PCI Gateway System Options

## Pin Description

### Signal List Alphabetized by Name

Pin Number	Pin Name	Type <sup>(1)</sup>	Pin Function
U4	ADDR0	O	Address Bit.
T4	ADDR1	O	Address Bit.
R3	ADDR10	O	Address Bit.
P1	ADDR11	O	Address Bit.
P2	ADDR12	O	Address Bit.
N1	ADDR13	O	Address Bit.
N2	ADDR14	O	Address Bit.
N3	ADDR15	O	Address Bit.
N4	ADDR16	O	Address Bit.
M1	ADDR17	O	Address Bit.
M2	ADDR18	O	Address Bit.
M3	ADDR19	O	Address Bit.
U3	ADDR2	O	Address Bit.
P3	ADDR20/BA0	O	Address Bit/Bank Address Bit 0 for SDRAM Interface.
P4	ADDR2/BA1	O	Address Bit/Bank Address Bit 1 for SDRAM Interface.
T3	ADDR3	O	Address Bit.
U2	ADDR4	O	Address Bit.
U1	ADDR5	O	Address Bit.
T1	ADDR6	O	Address Bit.
T2	ADDR7	O	Address Bit.
R1	ADDR8	O	Address Bit.
R2	ADDR9	O	Address Bit.
E3	AGND	Gnd	Analog Signal Ground.
H7	AGND	Gnd	Analog Signal Ground.
J7	AGND	Gnd	Analog Signal Ground.
K7	AGND	Gnd	Analog Signal Ground.
L7	AGND	Gnd	Analog Signal Ground.
D14	CBEN0	I/O	PCI Commands and Byte Enable 0. Active Low.
A11	CBEN1	I/O	PCI Commands and Byte Enable 1. Active Low.
B9	CBEN2	I/O	PCI Commands and Byte Enable 2. Active Low.
A6	CBEN3	I/O	PCI Commands and Byte Enable 3. Active Low.
B10	CLKRUNN	I/O	Cardbus Clock Run Request Signal. Active Low.
U15	DATA0	I/O	External Data Bit.
T15	DATA1	I/O	External Data Bit.
U12	DATA10	I/O	External Data Bit.
T12	DATA11	I/O	External Data Bit.

**Note:**

1. Gnd = Ground.  
O = Output.  
I/O = Bidirectional.

Pin Number	Pin Name	Type <sup>(1)</sup>	Pin Function
R12	DATA12	I/O	External Data Bit.
P12	DATA13	I/O	External Data Bit.
U11	DATA14	I/O	External Data Bit.
T11	DATA15	I/O	External Data Bit.
R11	DATA16	I/O	External Data Bit.
P11	DATA17	I/O	External Data Bit.
U10	DATA18	I/O	External Data Bit.
T10	DATA19	I/O	External Data Bit.
U14	DATA2	I/O	External Data Bit.
R10	DATA20	I/O	External Data Bit.
P10	DATA21	I/O	External Data Bit.
U9	DATA22	I/O	External Data Bit.
T9	DATA23	I/O	External Data Bit.
R9	DATA24	I/O	External Data Bit.
P9	DATA25	I/O	External Data Bit.
U8	DATA26	I/O	External Data Bit.
T8	DATA27	I/O	External Data Bit.
R8	DATA28	I/O	External Data Bit.
P8	DATA29	I/O	External Data Bit.
T14	DATA3	I/O	External Data Bit.
R7	DATA30	I/O	External Data Bit.
P7	DATA31	I/O	External Data Bit.
R14	DATA4	I/O	External Data Bit.
P14	DATA5	I/O	External Data Bit.
U13	DATA6	I/O	External Data Bit.
T13	DATA7	I/O	External Data Bit.
R13	DATA8	I/O	External Data Bit.
P13	DATA9	I/O	External Data Bit.
C11	DEVSELN	I/O	PCI Device Select Signal. Active Low.
R16	ECSN0	O	External I/O Device Chip Select. Active Low.
T16	ECSN1	O	External I/O Device Chip Select. Active Low.
U16	ECSN2	O	External I/O Device Chip Select. Active Low.
T17	EROEN/ WRSTPLS	O/I	ROM/SRAM/FLASH and External I/O Output Enable. Active Low. WRSTO Polarity Select. WRSTPLS = 0, WRSTO = Active High; WRSTPLS = 1, Active Low.
M17	ERWEN0/ TESTACK	O	External I/O and ROM/SRAM/FLASH Write Byte Enable. Active Low.
N17	ERWEN1/ TESTREQB	O	External I/O and ROM/SRAM/FLASH Write Byte Enable. Active Low.
P17	ERWEN2/ TESTREQA	O	External I/O and ROM/SRAM/FLASH Write Byte Enable. Active Low.

**Note:**

1. O = Output.

I/O = Bidirectional.

O/I = Output in normal mode; input pin during reset.

Pin Number	Pin Name	Type <sup>(1)</sup>	Pin Function
R17	ERWEN3/ TICTESTENN	O	External I/O and ROM/SRAM/FLASH Write Byte Enable. Active Low.
P16	EWAITN	I	External Wait. Active Low.
D10	FRAMEN	I/O	PCI Bus Frame Signal. Active Low.
A1	GND	Gnd	Signal Ground.
G7	GND	Gnd	Signal Ground.
G8	GND	Gnd	Signal Ground.
G9	GND	Gnd	Signal Ground.
G10	GND	Gnd	Signal Ground.
G11	GND	Gnd	Signal Ground.
H8	GND	Gnd	Signal Ground.
H9	GND	Gnd	Signal Ground.
H10	GND	Gnd	Signal Ground.
H11	GND	Gnd	Signal Ground.
J8	GND	Gnd	Signal Ground.
J9	GND	Gnd	Signal Ground.
J10	GND	Gnd	Signal Ground.
J11	GND	Gnd	Signal Ground.
K8	GND	Gnd	Signal Ground.
K9	GND	Gnd	Signal Ground.
K10	GND	Gnd	Signal Ground.
K11	GND	Gnd	Signal Ground.
L8	GND	Gnd	Signal Ground.
L9	GND	Gnd	Signal Ground.
L10	GND	Gnd	Signal Ground.
L11	GND	Gnd	Signal Ground.
C4	GNT1N	O	PCI Bus Grant 2. Active Low. Output for Host Bridge Mode and Guest Bridge Mode.
C3	GNT2N	O	PCI Bus Grant 2. Active Low. Output for Host Bridge Mode. Not Used in Guest Bridge Mode.
C2	GNT3N	O	PCI Bus Grant 3. Active Low. Output for Host Bridge Mode. Not Used in Guest Bridge Mode.
G17	GPIO0/EINT0	I/O	General Purpose I/O Pin. External Interrupt Request Pin.
G16	GPIO1/EINT1	I/O	General Purpose I/O Pin. External Interrupt Request Pin.
K17	GPIO10	I/O	General Purpose I/O Pin.
K16	GPIO11	I/O	General Purpose I/O Pin.
K15	GPIO12	I/O	General Purpose I/O Pin.
K14	GPIO13	I/O	General Purpose I/O Pin.
L17	GPIO14	I/O	General Purpose I/O Pin.

**Note:**

1. Gnd = Ground.  
I = Input.  
O = Output.  
I/O = Bidirectional.



Pin Number	Pin Name	Type <sup>(1)</sup>	Pin Function
L16	GPIO15	I/O	General Purpose I/O Pin.
H17	GPIO2/EINT2	I/O	General Purpose I/O Pin. External Interrupt Request Pin.
H16	GPIO3/EINT3	I/O	General Purpose I/O Pin. External Interrupt Request Pin.
H15	GPIO4/TOUT0	I/O	General Purpose I/O Pin. Timer 0 Output Pin.
H14	GPIO5/TOUT1	I/O	General Purpose I/O Pin. Timer 1 Output Pin.
J17	GPIO6	I/O	General Purpose I/O Pin.
J16	GPIO7	I/O	General Purpose I/O Pin.
J15	GPIO8	I/O	General Purpose I/O Pin.
J14	GPIO9	I/O	General Purpose I/O Pin.
D7	IDSEL	I	Initialization Device Select. Active High.
A9	IRDYN	I/O	PCI Initiator Ready Signal. Active Low.
F1	ISET	I	Set PHY Transmit Output Current. Connect to Ground with 3.01kΩ 1% Resistor.
B17	L1LED0	O	LAN Port 1 LED Programmable Indicator 0. Active Low.
B16	L1LED1	O	LAN Port 1 LED Programmable Indicator 1. Active Low.
C17	L2LED0	O	LAN Port 2 LED Programmable Indicator 0. Active Low.
C16	L2LED1	O	LAN Port 2 LED Programmable Indicator 1. Active Low.
D17	L3LED0	O	LAN Port 3 LED Programmable Indicator 0. Active Low.
D16	L3LED1	O	LAN Port 3 LED Programmable Indicator 1. Active Low.
E17	L4LED0	O	LAN Port 4 LED Programmable Indicator 0. Active Low.
E16	L4LED1	O	LAN Port 4 LED Programmable Indicator 1. Active Low.
H4	LANRXM1	I	LAN Port 1 PHY Receive Signal – (differential).
J4	LANRXM2	I	LAN Port 2 PHY Receive Signal – (differential).
K4	LANRXM3	I	LAN Port 3 PHY Receive Signal – (differential).
L4	LANRXM4	I	LAN Port 4 PHY Receive Signal – (differential).
H3	LANRXP1	I	LAN Port 1 PHY Receive Signal + (differential).
J3	LANRXP2	I	LAN Port 2 PHY Receive Signal + (differential).
K3	LANRXP3	I	LAN Port 3 PHY Receive Signal + (differential).
L3	LANRXP4	I	LAN Port 4 PHY Receive Signal + (differential).
H2	LANTXM1	O	LAN Port 1 PHY Transmit Signal – (differential).
J2	LANTXM2	O	LAN Port 2 PHY Transmit Signal – (differential).
K2	LANTXM3	O	LAN Port 3 PHY Transmit Signal – (differential).
L2	LANTXM4	O	LAN Port 4 PHY Transmit Signal – (differential).
H1	LANTXP1	O	LAN Port 1 PHY Transmit Signal + (differential).
J1	LANTXP2	O	LAN Port 2 PHY Transmit Signal + (differential).
K1	LANTXP3	O	LAN Port 3 PHY Transmit Signal + (differential).
L1	LANTXP4	O	LAN Port 4 PHY Transmit Signal + (differential).
E4	M66EN	I	PCI 66 MHz Enable.
D2	MPCIACTN	O	MiniPCI Active Signal. Active Low.
A16	PAD0	I/O	PCI Address and Data 0.

**Note:**

1. I = Input.  
O = Output.  
I/O = Bidirectional.

Pin Number	Pin Name	Type <sup>(1)</sup>	Pin Function
A15	PAD1	I/O	PCI Address and Data 1.
B13	PAD10	I/O	PCI Address and Data 10.
D13	PAD11	I/O	PCI Address and Data 11.
A12	PAD12	I/O	PCI Address and Data 12.
C12	PAD13	I/O	PCI Address and Data 13.
B12	PAD14	I/O	PCI Address and Data 14.
D12	PAD15	I/O	PCI Address and Data 15.
C9	PAD16	I/O	PCI Address and Data 16.
A8	PAD17	I/O	PCI Address and Data 17.
D9	PAD18	I/O	PCI Address and Data 18.
B8	PAD19	I/O	PCI Address and Data 19.
C15	PAD2	I/O	PCI Address and Data 2.
D8	PAD20	I/O	PCI Address and Data 20.
A7	PAD21	I/O	PCI Address and Data 21.
C7	PAD22	I/O	PCI Address and Data 22.
B7	PAD23	I/O	PCI Address and Data 23.
C6	PAD24	I/O	PCI Address and Data 24.
B6	PAD25	I/O	PCI Address and Data 25.
D6	PAD26	I/O	PCI Address and Data 26.
A5	PAD27	I/O	PCI Address and Data 27.
C5	PAD28	I/O	PCI Address and Data 28.
B5	PAD29	I/O	PCI Address and Data 29.
B15	PAD3	I/O	PCI Address and Data 3.
D5	PAD30	I/O	PCI Address and Data 30.
A4	PAD31	I/O	PCI Address and Data 31.
D15	PAD4	I/O	PCI Address and Data 4.
A14	PAD5	I/O	PCI Address and Data 5.
C14	PAD6	I/O	PCI Address and Data 6.
B14	PAD7	I/O	PCI Address and Data 7.
A13	PAD8	I/O	PCI Address and Data 8.
C13	PAD9	I/O	PCI Address and Data 9.
C8	PAR	I/O	PCI Parity.
D3	PBMS	I	PCI Bridge Mode Select. '1' = Host Bridge Mode. '0' = Guest Bridge Mode.
D4	PCLK	I	PCI Bus Clock.
A2	PCLKOUT0	O	PCI Clock Output 0.
B1	PCLKOUT1	O	PCI Clock Output 1.
C1	PCLKOUT2	O	PCI Clock Output 2.
D1	PCLKOUT3	O	PCI Clock Output 3.
B11	PERRN	I/O	PCI Parity Error Signal. Active Low.
A3	PRSTN	I	PCI Reset. Active Low.

**Note:**

1. I = Input.  
O = Output.  
I/O = Bidirectional.

Pin Number	Pin Name	Type <sup>(1)</sup>	Pin Function
P15	RCSN0	O	ROM/SRAM/FLASH Chip Select. Active Low.
R15	RCSN1	O	ROM/SRAM/FLASH Chip Select. Active Low.
B4	REQ1N	I	PCI Bus Request 1. Active Low. Input for Host Bridge Mode and Guest Bridge Mode.
B3	REQ2N	I	PCI Bus Request 2. Active Low. Input for Host Bridge Mode, Not Used in Guest Bridge Mode.
B2	REQ3N	I	PCI Bus Request 3. Active Low. Input for Host Bridge Mode, Not Used in Guest Mode
A17	RESETN	I	KS8695P Chip Reset. Active Low.
T5	SDCASN	O	SDRAM Column Address Strobe. Active Low.
P5	SDCSN0	O	SDRAM Chip Select. Active Low Chip Select Pins for SDRAM.
R4	SDCSN1	O	SDRAM Chip Select. Active Low Chip Select Pins for SDRAM.
T7	SDICLK	I	SDRAM Clock In.
U7	SDOCLK	O	System/SDRAM Clock Out.
U6	SDQM0	O	SDRAM Data Input/Output Mask.
T6	SDQM1	O	SDRAM Data Input/Output Mask.
R6	SDQM2	O	SDRAM Data Input/Output Mask.
P6	SDQM3	O	SDRAM Data Input/Output Mask.
R5	SDRASN	O	SDRAM Row Address Strobe. Active Low.
U5	SDWEN	O	SDRAM Write Enable. Active Low.
A10	SERRN	O	PCI System Error Signal. Active Low.
D11	STOPN	I/O	PCI Stop Signal. Active Low.
G14	TCK	I	JTAG Test Clock.
F14	TDI	I	JTAG Test Data In.
F15	TDO	O	JTAG Test Data Out.
M4	TEST1	I	PHY Test Pin (factory reserved test signal).
F4	TEST2	I	PHY Test Pin (factory reserved test signal).
F17	TESTEN	I	Chip Test Enable (factory reserved test signal). Must be connected to GND for normal operation.
G15	TMS	I	JTAG Test Mode Select.
C10	TRDYN	I/O	PCI Target Ready Signal. Active Low.
F16	TRSTN	I	JTAG Test Reset. Active Low.
M14	UCTSN/ BISTEN	I	UART Data Set Ready. Active Low. BIST Enable (factory reserved test signal).
L15	UDCDN/ SCANEN	I	UART Data Carrier Detect. Scan Enable (factory reserved test signal).
M16	UDSRN	I	UART Data Set Ready. Active Low.
N15	UDTRN/ DBGENN	O/I	UART Data Terminal Ready. Active Low. Debug Enable (factory reserved test signal).
L14	URIN/TSTRST	I	UART Ring Indicator/Chip Test Reset (factory reserved test signal).
M15	URTSN/ CPUCLKSEL	O/I	UART Request to Send/CPU Clock Select.

**Note:**

1. I = Input.  
O = Output.  
I/O = Bidirectional.  
O/I = Output in normal mode; input pin during reset.

Pin Number	Pin Name	Type <sup>(1)</sup>	Pin Function
N16	URXD	I	UART Receive Data.
N14	UTXD	O	UART Transmit Data.
E7	VDD1.8	P	1.8V Digital Core V <sub>DD</sub> .
E8	VDD1.8	P	1.8V Digital Core V <sub>DD</sub> .
E9	VDD1.8	P	1.8V Digital Core V <sub>DD</sub> .
E10	VDD1.8	P	1.8V Digital Core V <sub>DD</sub> .
F7	VDD1.8	P	1.8V Digital Core V <sub>DD</sub> .
F8	VDD1.8	P	1.8V Digital Core V <sub>DD</sub> .
F9	VDD1.8	P	1.8V Digital Core V <sub>DD</sub> .
F10	VDD1.8	P	1.8V Digital Core V <sub>DD</sub> .
M7	VDD1.8	P	1.8V Digital Core V <sub>DD</sub> .
M8	VDD1.8	P	1.8V Digital Core V <sub>DD</sub> .
M9	VDD1.8	P	1.8V Digital Core V <sub>DD</sub> .
H12	VDD1.8	P	1.8V Digital Core V <sub>DD</sub> .
H13	VDD1.8	P	1.8V Digital Core V <sub>DD</sub> .
J12	VDD1.8	P	1.8V Digital Core V <sub>DD</sub> .
J13	VDD1.8	P	1.8V Digital Core V <sub>DD</sub> .
K12	VDD1.8	P	1.8V Digital Core V <sub>DD</sub> .
K13	VDD1.8	P	1.8V Digital Core V <sub>DD</sub> .
N7	VDD1.8	P	1.8V Digital Core V <sub>DD</sub> .
N8	VDD1.8	P	1.8V Digital Core V <sub>DD</sub> .
N9	VDD1.8	P	1.8V Digital Core V <sub>DD</sub> .
E11	VDD3.3	P	3.3V Digital I/O Circuitry V <sub>DD</sub> .
E12	VDD3.3	P	3.3V Digital I/O Circuitry V <sub>DD</sub> .
E13	VDD3.3	P	3.3V Digital I/O Circuitry V <sub>DD</sub> .
F11	VDD3.3	P	3.3V Digital I/O Circuitry V <sub>DD</sub> .
F12	VDD3.3	P	3.3V Digital I/O Circuitry V <sub>DD</sub> .
F13	VDD3.3	P	3.3V Digital I/O Circuitry V <sub>DD</sub> .
G12	VDD3.3	P	3.3V Digital I/O Circuitry V <sub>DD</sub> .
G13	VDD3.3	P	3.3V Digital I/O Circuitry V <sub>DD</sub> .
L12	VDD3.3	P	3.3V Digital I/O Circuitry V <sub>DD</sub> .
L13	VDD3.3	P	3.3V Digital I/O Circuitry V <sub>DD</sub> .
M10	VDD3.3	P	3.3V Digital I/O Circuitry V <sub>DD</sub> .
M11	VDD3.3	P	3.3V Digital I/O Circuitry V <sub>DD</sub> .
M12	VDD3.3	P	3.3V Digital I/O Circuitry V <sub>DD</sub> .
M13	VDD3.3	P	3.3V Digital I/O Circuitry V <sub>DD</sub> .
N10	VDD3.3	P	3.3V Digital I/O Circuitry V <sub>DD</sub> .
N11	VDD3.3	P	3.3V Digital I/O Circuitry V <sub>DD</sub> .
N12	VDD3.3	P	3.3V Digital I/O Circuitry V <sub>DD</sub> .
N13	VDD3.3	P	3.3V Digital I/O Circuitry V <sub>DD</sub> .

**Note:**

1. P = Power supply.  
I = Input.  
O = Output.

Pin Number	Pin Name	Type <sup>(1)</sup>	Pin Function
E5	VDDA1.8	P	1.8V Analog V <sub>DD</sub> .
E6	VDDA1.8	P	1.8V Analog V <sub>DD</sub> .
F5	VDDA1.8	P	1.8V Analog V <sub>DD</sub> .
F6	VDDA1.8	P	1.8V Analog V <sub>DD</sub> .
G5	VDDA1.8	P	1.8V Analog V <sub>DD</sub> .
G6	VDDA1.8	P	1.8V Analog V <sub>DD</sub> .
H5	VDDA1.8	P	1.8V Analog V <sub>DD</sub> .
H6	VDDA1.8	P	1.8V Analog V <sub>DD</sub> .
J5	VDDA1.8	P	1.8V Analog V <sub>DD</sub> .
J6	VDDA1.8	P	1.8V Analog V <sub>DD</sub> .
K5	VDDA3.3	P	3.3V Analog V <sub>DD</sub> .
K6	VDDA3.3	P	3.3V Analog V <sub>DD</sub> .
L5	VDDA3.3	P	3.3V Analog V <sub>DD</sub> .
L6	VDDA3.3	P	3.3V Analog V <sub>DD</sub> .
M5	VDDA3.3	P	3.3V Analog V <sub>DD</sub> .
M6	VDDA3.3	P	3.3V Analog V <sub>DD</sub> .
N5	VDDA3.3	P	3.3V Analog V <sub>DD</sub> .
N6	VDDA3.3	P	3.3V Analog V <sub>DD</sub> .
F2	WANFXSD	I	WAN Fiber Signal Detect.
G4	WANRXM	I	WAN PHY Receive Signal – (differential).
G3	WANRXP	I	WAN PHY Receive Signal + (differential).
G2	WANTXM	O	WAN PHY Transmit Signal – (differential).
G1	WANTXP	O	WAN PHY Transmit Signal + (differential).
E15	WLED0/ B0SIZE0	O/I	WAN LED Programmable Indicator 0. Bank 0 Size Bit 0.
E14	WLED1/ B0SIZE1	O/I	WAN LED Programmable Indicator 1. Bank 0 Size Bit 1.
U17	WRSTO	O	Watchdog Timer Reset Output. When EROEN/WRSTPLS = 0, Active High. When EROEN/WRSTPLS = 1, Active Low.
E1	XCLK1	I	External Clock In.
E2	XCLK2	I	External Clock In (negative polarity).

**Note:**

1. P = Power supply.

I = Input.

O = Output.

O/I = Output in normal mode; input pin during reset.

# Pin Configuration

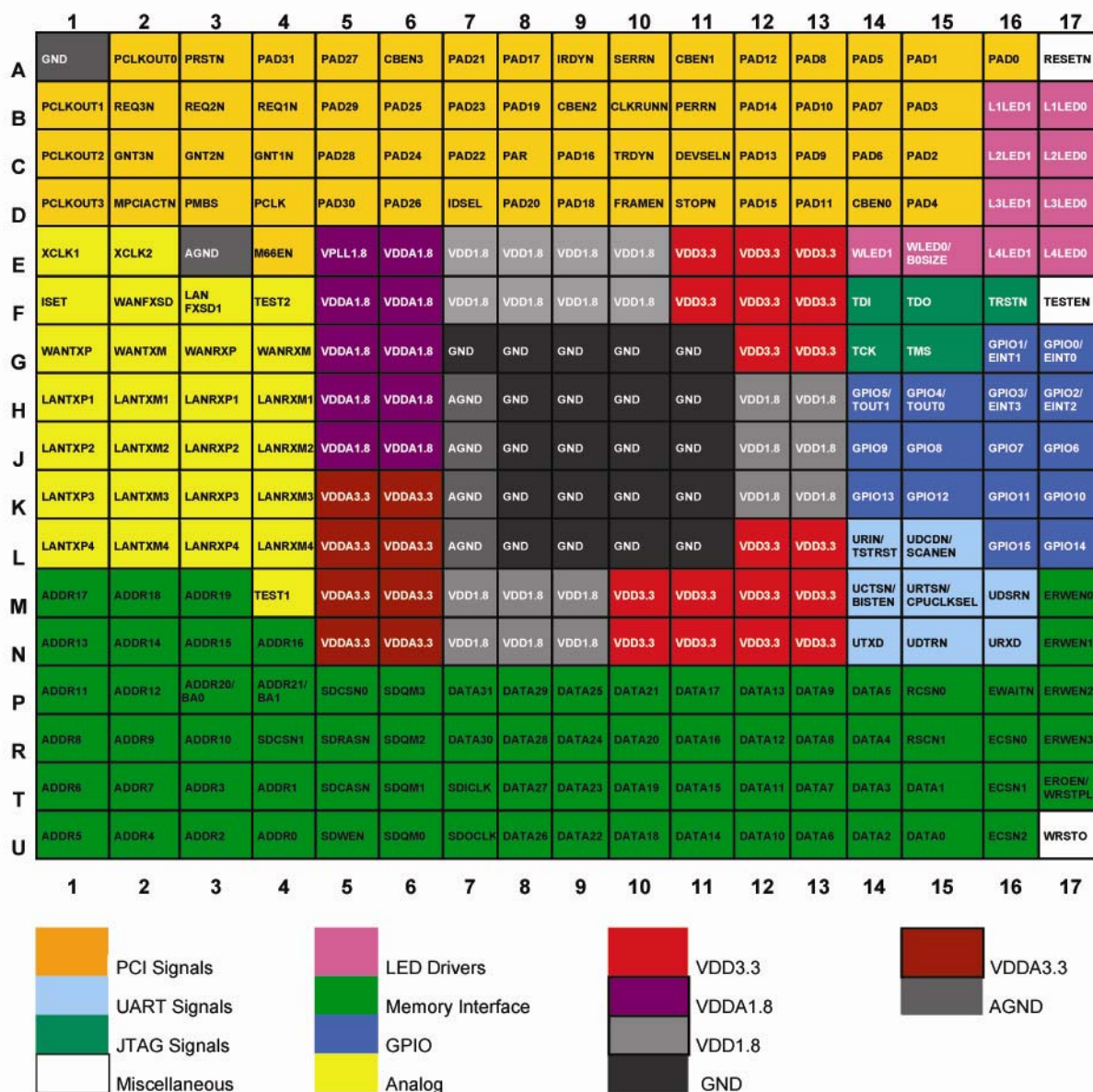


Figure 2. KS8695P Pin Mapping (Top View)

## Functional Description

### Introduction

Micrel's KS8695P, a member of the CENTAUR line of integrated processors, is a high-performance router-on-a-chip solution for Ethernet and 802.11 a/g/b based embedded systems. Designed for use in communication's routers, it integrates a PCI to AHB bridge solution for interfacing with 32-bit PCI, miniPCI, and cardbus devices. The KS8695P combines a proven third generation 5-port managed switch, an ARM9 RISC processor with MMU, and five physical layer transceivers (PHYs) including their corresponding MAC units with Micrel's XceleRouter technology.

The KS8695P is built around the 16/32-bit ARM9 RISC processor, which is a scalable, high-performance, microprocessor developed for highly integrated system-on-a-chip applications. It also offers a configurable 8KB I-cache and 8KB D-cache that reduces memory access latency for high-performance applications. The simple, elegant, and fully static design of the KS8695P is especially suitable for cost-effective, power-sensitive applications.

The KS8695P contains five 10/100 PHYs: four are for the local area network (LAN) and one is for the wide area network (WAN). Connected to the PHYs are five corresponding MAC units with an integrated Layer 2 managed switch. The combining of the switch and the analog PHYs make the KS8695P an extremely prudent solution for SOHO router applications, saving both board space and BOM costs. The Layer 2 switch contains a 16Kx32 SRAM on-chip memory for frame buffering. The embedded frame buffer memory is designed with a 1.4Gbps on-chip memory bus. This allows the KS8695P to perform full non-blocking frame switching and/or routing on the fly for many applications.

For the media interface, the KS8695P supports 10BASE-T and 100BASE-TX, as specified by the IEEE 802.3 standard, and 100 BASE-FX on the WAN port and on one LAN port.

The KS8695P supports two modes of operation in the PCI bus environment: host bridge mode and guest bridge mode. In the host bridge mode, the ARM9 processor acts as the host of the entire system. It configures other PCI devices and coordinates their transactions, including initiating transactions between the PCI devices and AHB bus subsystem. An on-chip PCI arbiter is included to determine the PCI bus ownership among PCI master devices. In host bridge mode, all I/O registers, including those for the embedded switch, are configured by the ARM9 processor through the on-chip AMBA bus interface.

In guest bridge mode, all of the I/O registers are programmed by either the external host CPU on the PCI bus or the local ARM9 host processor through the AMBA bus. The KS8695P functions as a slave on the PCI bus with the on-chip PCI arbiter disabled. The KS8695PX can be configured by either the ARM9 CPU or the PCI host CPU. In both cases, the KS8695P memory subsystem is accessible from either the PCI host or the ARM9 CPU. Communications between the external host CPU and the ARM9 is accomplished through message passing or through shared memory.

### CPU Features

- 166MHz ARM9 RISC processor core
- On-chip AMBA bus 2.0 interfaces
- 16-bit thumb programming to relax memory requirement
- 8KB I-cache and 8KB D-cache
- Little-endian mode supported
- Configurable memory management unit
- Supports reduced CPU and system clock speed for power savings

### PCI to AHB Bridge Features

- Support 33MHz, 32-bit data PCI bus
- Integrated PCI bridge support for interfacing with 32-bit miniPCI or cardbus devices
- Independent AHB and PCI clock speed
- Supports 125MHz AHB speed
- Supports PCI revision 2.1 protocols
- Supports AHB bus 2.0 interfaces
- Supports both regular and memory-mapped I/O on the PCI interface
- Integrated PCI arbiter with power-on option to enable or disable
- Support Round Robin arbitration with three external PCI devices and one internal device
- Supports AHB burst transfers up to 16 data words
- Configurable PCI registers by host CPU ARM9
- Supports bus mastership from PCI to AHB or AHB to PCI bus

**Switch Engine**

- 5-Port 10/100 integrated switch with one WAN and four LAN physical layer transceivers
- 16Kx32 on-chip SRAM for frame buffering
- 1.4Gbps on-chip memory bandwidth for wire-speed frame switching
- 10Mbps and 100Mbps modes of operation for both full and half duplex
- Supports 802.1Q tag-based VLAN and port-based VLAN
- Supports 8.2,1p-based priority, DiffServ priority, and post-based priority
- Integrated address look-up engine, supports 1K absolute MAC addresses
- Automatic address learning, address aging, and address migration
- Broadcast storm protection
- Full-duplex IEEE 802.3x flow control
- Half-duplex back pressure flow control
- Supports IGMP snooping
- Spanning Tree Protocol support

**Advanced Memory Controller Features**

- Supports glueless connection to two banks of ROM/SRAM/FLASH memory with programmable 8/16/32 bit data bus and programmable access timing
- Supports glueless connection to two SDRAM banks with programmable 8/16/32-bit data bus and programmable RAS/CAS latency
- Supports three external I/O banks with programmable 8/16/32-bit data bus and programmable access timing
- Programmable system clock speed for power management
- Automatic address line mapping for 8/16/32-bit accesses on Flash, ROM, SRAM, and SDRAM interfaces

**Direct Memory Access (DMA) Engines**

- Independent MAC DMA engine with programmable burst mode for WAN port
- Independent MAC DMA engine with programmable burst mode for LAN ports
- Supports little-endian byte ordering for memory buffers and descriptors
- Contains large independent receive and transmit FIFOs (3KB receive/3KB transmit) for back-to-back packet receive, and guaranteed no under-run packet transmit
- Data alignment logic and scatter gather capability

**Protocol Engine and XceleRouter™ Technology**

- Supports IPv4 IP header/TCP/UDP packet checksum generation for host CPU offloading
- Supports IPv4 packet filtering based on checksum errors

**Network Interface**

- Features five MAC units and five PHY units
- Supports 10BASE-T and 100BASE-TX on all LAN ports and one WAN port. Also supports 100BASE-FX on the WAN port and on one LAN port
- Supports automatic CRC generation and checking
- Supports automatic error packet discard
- Supports IEEE 802.3 auto-negotiation algorithm of full-duplex and half-duplex operation for 10Mbps and 100Mbps
- Supports full-/half-duplex operation on PHY interfaces
- Fully compliant with IEEE 802.3 Ethernet standards
- IEEE 802.3 full-duplex flow control and half-duplex backpressure collision flow control
- Supports MDI/MDI-X auto-crossover



**Peripherals**

- Twenty-eight interrupt sources, including four external interrupt sources
- Normal or fast interrupt mode (IRQ, FIQ) supported
- Prioritized interrupt handling
- Sixteen programmable general purpose I/O. Pins individually configurable to input, output, or I/O mode for dedicated signals
- Two programmable 32-bit timers with watchdog timer capability
- High-speed UART interface up to 115kbps

**Other Features**

- Integrated PLL to generate CPU and system clocks
- JTAG development interface for ICE connection
- 19mm x 19mm 289-pin PBGA
- 1.8V CMOS for core and 3.3V for I/O

## Signal Description

### System Level Hardware Interfaces

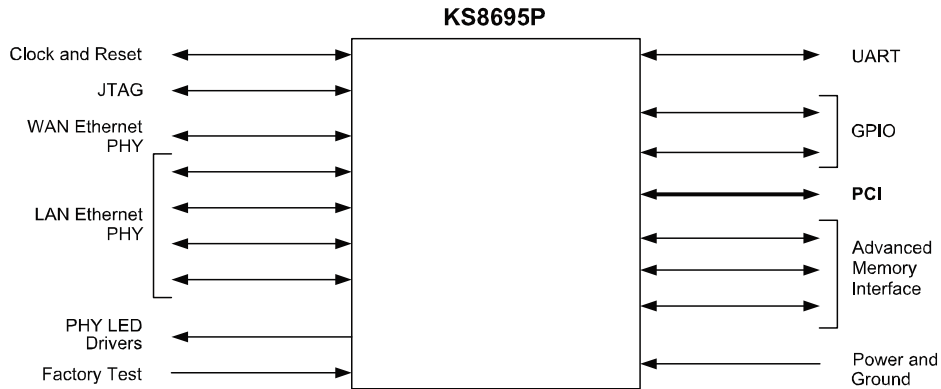


Figure 3. System Level Interfaces

At the system level the KS8695P features the following interfaces:

- Clock interface for crystal or external oscillator
- JTAG development interface
- One WAN Ethernet physical interface
- Four LAN Ethernet physical interfaces
- PHY LED drivers
- One high-speed UART interface
- Sixteen GPIO pins
- 33MHz, 32-bit PCI interface supporting three external masters
- Advanced memory interface
  - Programmable synchronous bus rate
  - Programmable asynchronous interface timing
  - Independently programmable data bus width for static and synchronous memory
  - Glueless connection to SDRAM
  - Glueless connection to flash memory or ROM
- Factory test
- Power and ground

### Configuration Pins

The following pins are sampled as input during reset.

Configuration	Pin Name	Pin #	Setting
Bank0 Flash Data Width	B0SIZE[1:0]	E14, E15	'00' = reserved '01' = byte wide '10' = half word wide (16 bits) '11' = word wide (32 bits)
WRSTO Polarity	EROEN/WRSTPLS	U17	'0' = active high '1' = active low
CPU Clock Select	URTSN/CPUCLKSEL	M15	'0' = normal mode (PLL) '1' = bypass internal PLL
PCI Bridge Mode	PBMS	D3	'0' = guest bridge mode '1' = host bridge mode
CPUCLKSEL	URTSN/CPUCLKSEL	M15	'0' = normal operation '1' = factory reserved
Debug Enable	UDTRN/DBGENN	N15	'0' = factory reserved

Table 1. Configuration Pins

Following pins have second function as factory test of chip.

Configuration	Pin Name	Pin #	Setting
Chip Test Enable	TESTEN	F17	'0' = normal operation '1' = factory reserved. Used for factory test of chip and affects all signals listed in this table.
	ERWEN0/TESTACK	M17	
	ERWEN1/TESTREQB	N17	
	ERWEN2/TESTREQA	P17	
	ERWEN3/TICTESTTENN	R17	
	UCTSN/BISTEN	M14	
	UDCDN/SCANEN	L15	
	URIN/TSTRST	L14	
	TEST1	M4	
	TEST2	F4	

Table 2. Configuration Pins

**Reset**

The KS8695P has a single reset input that can be driven by a system reset circuit or a simple power on reset circuit. The KS8695P also features a reset output (WRSTO) that can be used to reset other devices in the system. WRSTO can be configured as either an active high reset or an active low reset through a strap-in option on pin U17, as shown in Table 1. The KS8695P also has a built in watchdog timer. When the watchdog timer is programmed and the timer setting expires, the KS8695P resets itself and also asserts WRSTO to reset the other devices in the system. Figure 4 shows a typical system using the KS8695P WRSTO as the system reset.

**Reset Circuit Diagram**

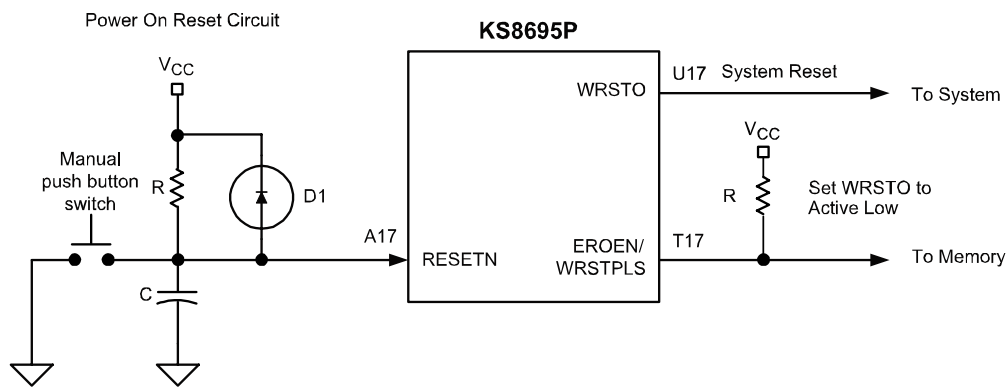


Figure 4. Example of a Reset Circuit

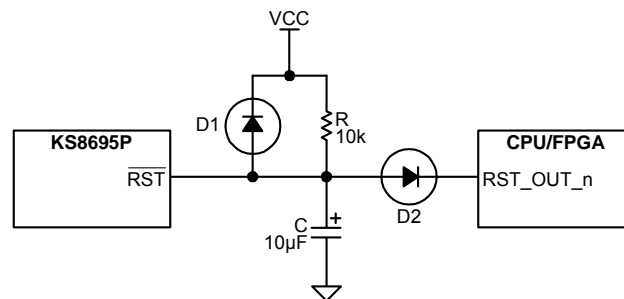
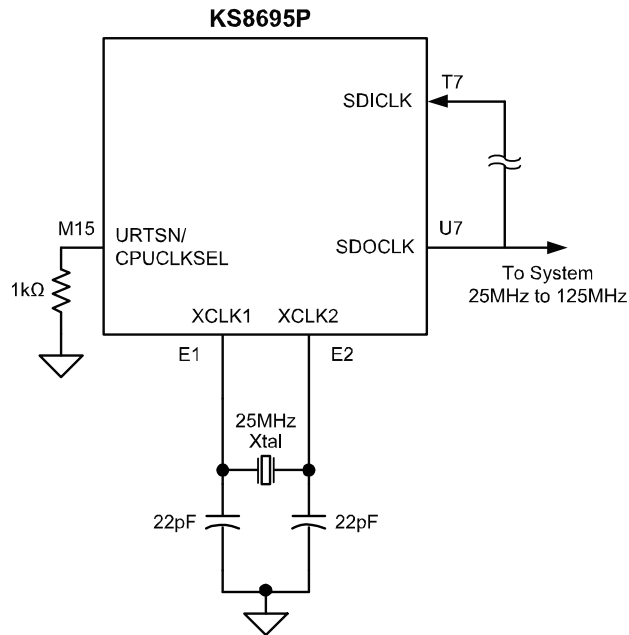


Figure 5. Recommended Circuit for Interfacing with CPU/FPGA Reset

At power-on-reset, R, C, and D1 provide the necessary ramp rise time to reset the Micrel device. The reset out from CPU/FPGA provides warm reset after power up.

**System Clock**

The clock to the KS8695P is supplied by either a 25MHz  $\pm 50$ ppm crystal or by an oscillator. If an oscillator is used, it must be connected to the XCLK1 input (pin E1) on the KS8695P. If a crystal is used, it must be connected with a circuit similar to the one shown below. The 25MHz input clock is used by an internal PLL to generate the programmable SDOCLK. SDOCLK is the system clock and can be programmed from 25MHz to 125MHz using the system clock and bus control register at offset 0x0004. The CPUCLKSEL strap-in option on pin M15 needs to be pulled low for normal operation. SDICLK is used to register the data read from the SDRAM back into the KS8695P. The system designer must ensure that SDRAM timing is met when routing SDOCLK back to SDICLK.



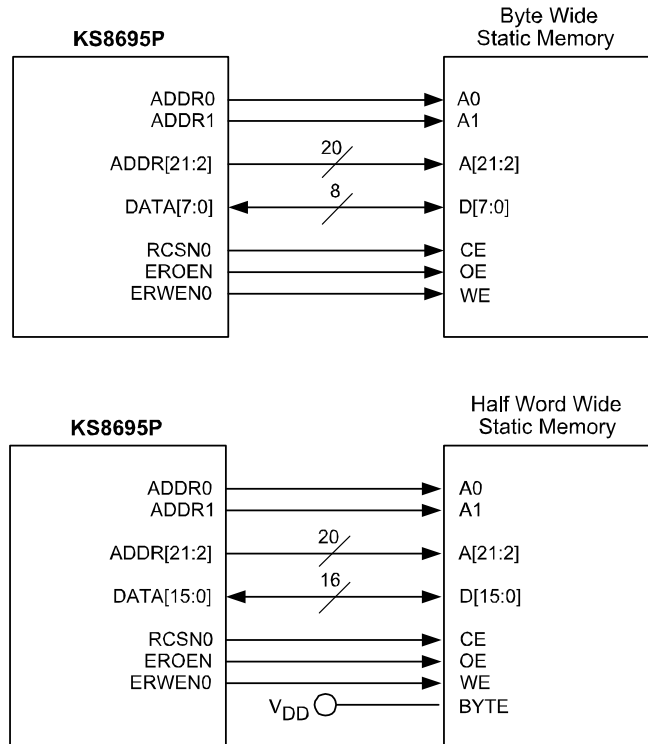
**Figure 6. Typical Clock Circuit**

**Memory Interface**

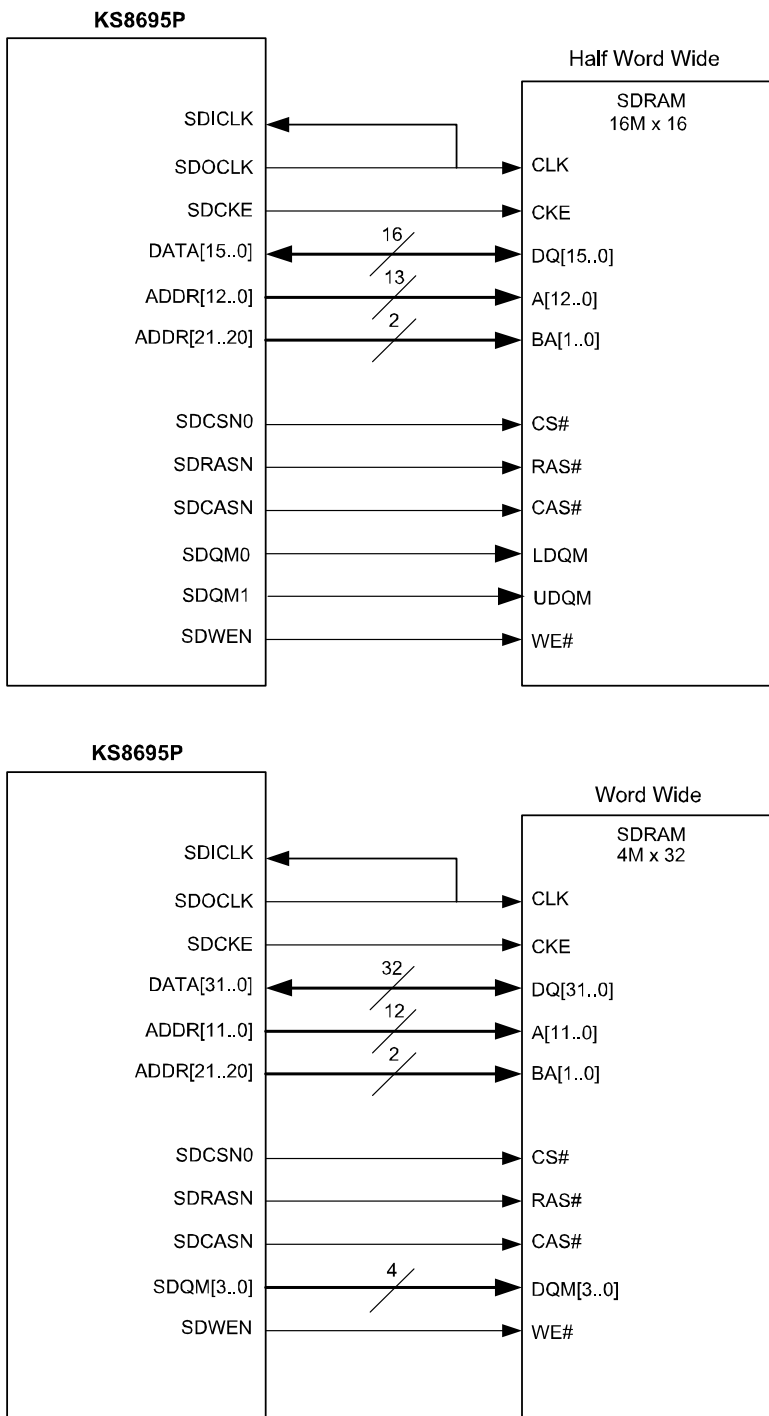
The KS8695P has a glueless interface for SDRAM and static memory, i.e. ROM, SRAM, and Flash. It supports up to two banks of static memory (Figure 7), up to two banks of SDRAM (Figure 8), and three banks of external I/O (Figure 9). The total address space for the KS8695P is 64MB. This includes SDRAM, static memory, external I/O, and the KS8695P's own 64KB of register space.

The memory interface for the SDRAM and static memory has a special automatic address mapping feature. This allows the designer to connect address bit 0 on the memory to ADDR[0] on the KS8695P and address bit 1 on the memory to ADDR[1] on the memory, regardless of whether the designer is trying to achieve word, half word, or byte addressing.

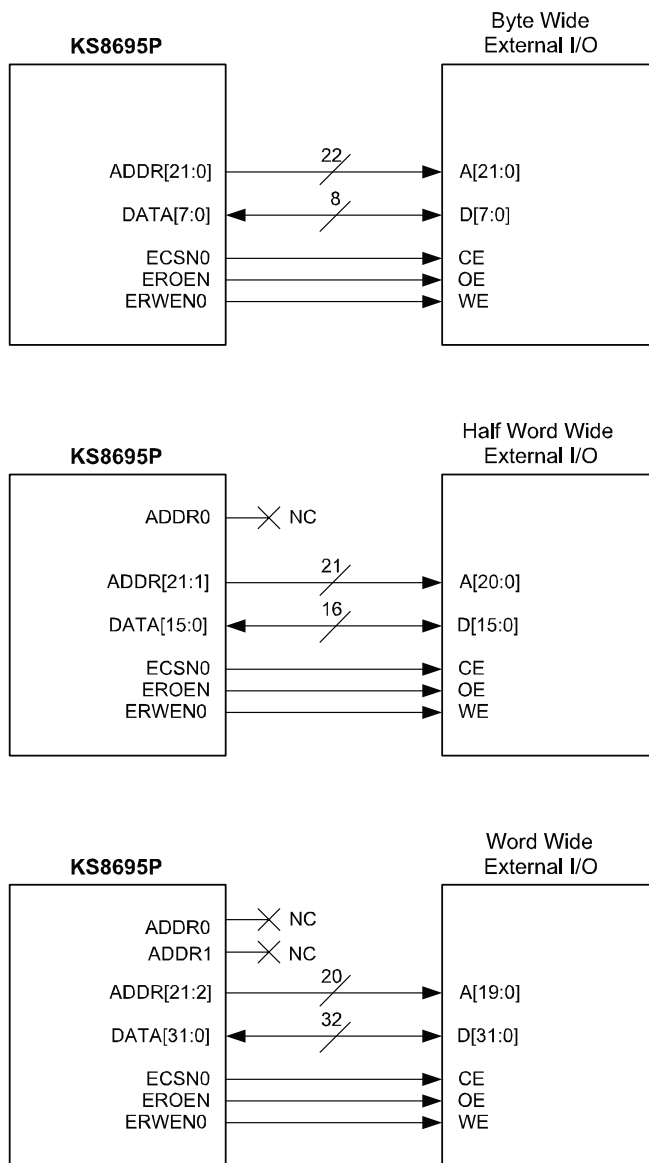
The KS8695P memory controller performs the address mapping internally. This permits the designer to use the maximum amount of address bits, instead of losing one or two bits because of address mapping. For external I/O, however, the designer still needs to take care of the address mapping (see Figure 9).



**Figure 7. Static Memory Interface Examples**



**Figure 8. SDRAM Interface Examples**



**Figure 9. External I/O Interface Examples**

KS8695P outputs ERWEN[3:0] as write strobes to byte wide, half-word wide, and word-wide memory port. The following figures show the most commonly implemented examples.

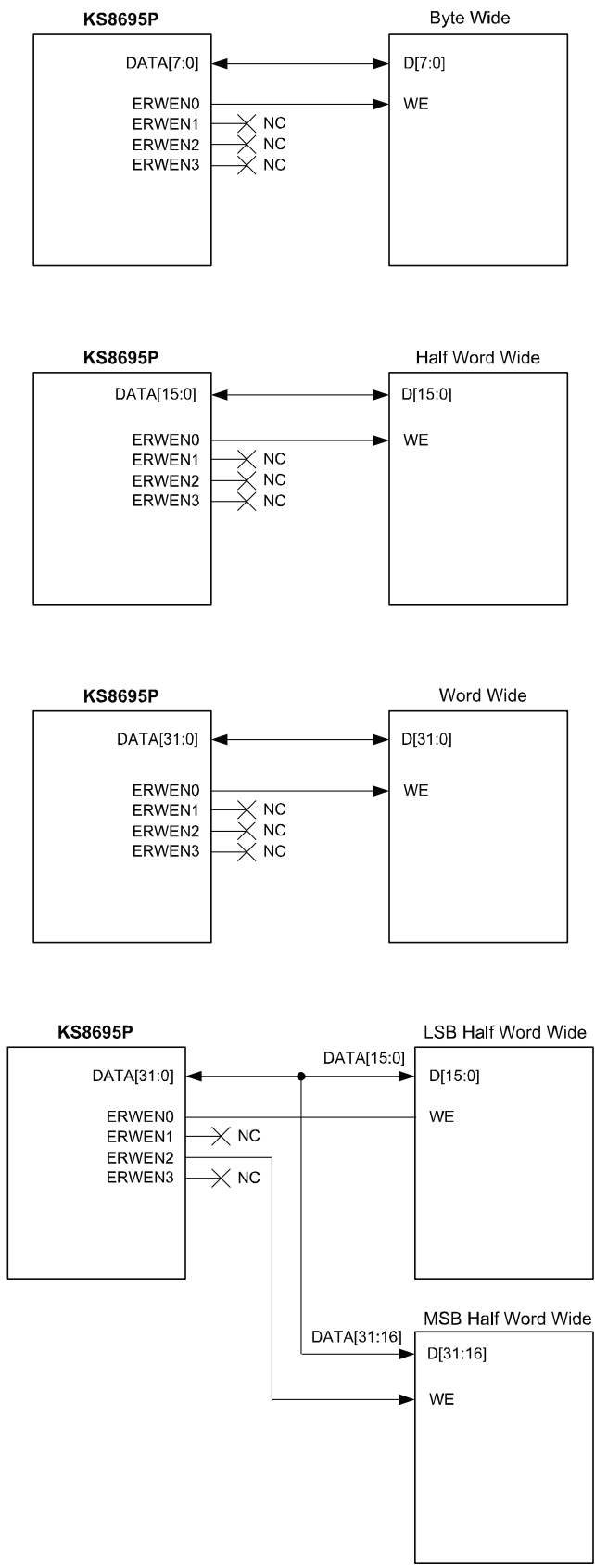


Figure 10. ERWEN[3:0] Interface Examples



**Signal Descriptions by Group****Clock and Reset Pins**

Pin	Name	I/O Type <sup>(1)</sup>	Description
E1	XCLK1/ CPUCLK	I	External Clock In. This signal is used as the source clock for the transmit clock of the internal MAC and PHY. The clock frequency is 25MHz ±50ppm. The XCLK1 signal is also used as the reference clock signal for the internal PLL to generate the 125MHz internal system clock.
E2	XCLK2	I	External Clock In. Used with XCLK1 pin when another polarity of crystal is needed. This is unused for a normal clock input.
M15	URTSN/ CPUCLKSEL	O/I	Normal Mode: UART request to send. Active low output. During reset: CPU clock select. Select CPU clock source. CPUCLKSEL=0 (normal mode), the internal PLL clock output is used as the CPU clock source. CPUCLKSEL=1 (factory reserved test signal).
A17	RESETN	I	KS8695P chip reset. Active low input asserted for at least 256 system clock (40ns) cycles to reset the KS8695P. When in the reset state, all the output pins are tri-stated and all open drain signals are floating.
U17	WRSTO	O	Watchdog timer reset output. This signal is asserted for at least 200ms if RESETN is asserted or when the internal watchdog timer expires.
T17	EROEN/ WRSTPLS	O/I	Normal Mode: ROM/SRAM/FLASH and External I/O output enable. Active low. When asserted, this signal controls the output enable port of the specified device. During reset: Watchdog timer reset polarity setting. WRSTPLS=0, Active high; WRSTPLS=1, Active low. No default.

**JTAG Interface Pins**

Pin	Name	I/O Type <sup>(1)</sup>	Description
G14	TCK	I	JTAG test clock.
G15	TMS	I	JTAG test mode select.
F14	TDI	I	JTAG test data in.
F15	TDO	O	JTAG test data out.
F16	TRSTN	I	JTAG test reset. Active low.

**WAN Ethernet Physical Interface Pins**

Pin	Name	I/O Type <sup>(1)</sup>	Description
G1	WANTXP	O	WAN PHY transmit signal + (differential).
G2	WANTXM	O	WAN PHY transmit signal – (differential).
G3	WANRXP	I	WAN PHY receive signal + (differential).
G4	WANRXM	I	WAN PHY receive signal – (differential).
G5	WANFXSD	I	WAN fiber signal detect. Signal detect input when the WAN port is operated in 100BASE-FX 100Mb fiber mode. See Application Note 10.

**Note:**

1. I = Input.

O = Output.

O/I = Output in normal mode; input pin during reset.

**LAN Ethernet Physical Interface Pins**

Pin	Name	I/O Type <sup>(1)</sup>	Description
H1 J1 K1 L1	LANTXP1 LANTXP2 LANTXP3 LANTXP4	I	LAN Port[4:1] PHY transmit signal + (differential).
H2 J2 K2 L2	LANTXM1 LANTXM2 LANTXM3 LANTXM4	I	LAN Port[4:1] PHY transmit signal – (differential).
H3 J3 K3 L3	LANRXP1 LANRXP2 LANRXP3 LANRXP4	O	LAN Port[4:1] PHY receive signal + (differential).
H4 J4 K4 L4	LANRXM1 LANRXM2 LANRXM3 LANRXM4	O	LAN Port[4:1] PHY receive signal – (differential).
F1	ISET	I	Set PHY transmit output current. Connect to ground through a 3.01kΩ 1% resistor.
F3	LANFXSD1	I	LAN fiber signal detect. Signal detect input when the LAN1 port is operated in 100BASE-FX 100Mb fiber mode. See Application Note 107.

**PHY LED Drivers**

Pin	Name	I/O Type <sup>(1)</sup>	Description
E15	WLED0/ B0SIZE0	O/I	Normal Mode: WAN LED indicator 0. Programmable via WAN misc. Control register bits [2:0]. '000' = Speed; '001' = Link; '010' = Full/half duplex; '011' = Collision; '100' = TX/RX activity; '101' = Full-duplex collision; '110' = Link/Activity. During reset: Bank 0 Data Access Size. Bank 0 is used for the boot program. B0SIZE[1:0] are used to specify the size of the bank 0 data bus width as follows: '01' = one byte, '10' = half-word, '11' = one word, and '00' = reserved.
E14	WLED1/ B0SIZE1	O/I	Normal Mode: WAN LED indicator 1. Programmable via WAN Misc. Control register bits [6:4]. '000' = Speed; '001' = Link; '010' = Full/half duplex; '011' = Collision; '100' = TX/RX activity; '101' = Full-duplex collision; '110' = Link/Activity. During reset: Bank 0 data access size. Bank 0 is used for the boot program. B0SIZE[1:0] are used to specify the size of the bank 0 data bus width as follows: '01' = one byte, '10' = half-word, '11' = one word, and '00' = reserved.
B17 C17 D17 E17	L1LED0 L2LED0 L3LED0 L4LED0	O	LAN Port[4:1] LED indicator 0. Programmable via switch control 0 register bits [27:25]. '000' = Speed; '001' = Link; '010' = Full/half duplex; '011' = Collision; '100' = TX/RX activity; '101' = Full-duplex collision; '110' = Link/Activity.
B16 C16 D16 E16	L1LED1 L2LED1 L3LED1 L4LED1	O	LAN Port[4:1] LED indicator 1. Programmable via switch control 0 register bits [24:22]. '000' = Speed; '001' = Link; '010' = Full/half duplex; '011' = Collision; '100' = TX/RX activity; '101' = Full-duplex collision; '110' = Link/Activity.

**Note:**

1. I = Input.  
O = Output.  
O/I = Output in normal mode; input pin during reset.

**UART Pins**

Pin	Name	I/O Type <sup>(1)</sup>	Description
N16	URXD	I	UART receive data.
N14	UTXD	O	UART transmit data.
N15	UDTRN/ DBGENN	O/I	UART data terminal ready. Active low. DBGENN = 0 (factory reserved test signal)
M16	UDSRN	I	UART data set ready. Active low.
M15	URTSN/ CPUCLKSEL	O/I	Normal mode: UART request to send. Active low output. During reset: CPU clock select. Select CPU clock source. CPUCLKSEL=0 (normal mode), the internal PLL clock output is used as the CPU clock source. CPUCLKSEL=1 (factory reserved test signal).
M14	UCTSN/ BISTEN	I	UART clear to send. BIST enable (factory reserved test signal).
L15	UDCDN/ SCANEN	I	UART data carrier detect. Scan enable (factory reserved test signal).
L14	URIN/ TSTRST	I	UART ring indicator. Chip test reset (factory reserved test signal).

**General Purpose I/O Pins**

Pin	Name	I/O Type <sup>(1)</sup>	Description
G17	GPIO0/ EINT0	I/O	General purpose I/O pin. External interrupt request pin.
G16	GPIO1/ EINT1	I/O	General purpose I/O pin. External interrupt request pin.
H17	GPIO2/ EINT2	I/O	General purpose I/O pin. External interrupt request pin.
H16	GPIO3/ EINT3	I/O	General purpose I/O pin. External interrupt request pin.
H15	GPIO4/ TOUT0	I/O	General purpose I/O pin. Timer 0 output pin.
H14	GPIO5/ TOUT1	I/O	General purpose I/O pin. Timer 1 output pin.
J17	GPIO6	I/O	General purpose I/O pin.
J16	GPIO7	I/O	General purpose I/O pin.
J15	GPIO8	I/O	General purpose I/O pin.
J14	GPIO9	I/O	General purpose I/O pin.
K17	GPIO10	I/O	General purpose I/O pin.
K16	GPIO11	I/O	General purpose I/O pin.
K15	GPIO12	I/O	General purpose I/O pin.
K14	GPIO13	I/O	General purpose I/O pin.
L17	GPIO14	I/O	General purpose I/O pin.
L16	GPIO15	I/O	General purpose I/O pin.
A3	PRSTN	I	PCI Reset. Active low. This signal is an input used to reset the KS8695P PCI logic. If the KS8695P is the host, use the RESETN signal to drive this input. If the KS8695P is a guest, use the system reset to drive this signal.

**Note:**

1. I = Input.  
O = Output.  
I/O = Bidirectional.  
O/I = Output in normal mode; input pin during reset.

**General Purpose I/O Pins (continued)**

Pin	Name	I/O Type <sup>(1)</sup>	Description
D4	PCLK	I	PCI bus clock. This signal provides the timing for the PCI bus transactions. This signal is used to drive the PCI bus interface and the internal PCI logic. All PCI bus signals are sampled on the rising edges of the PCLK. PCLK can operate from 20MHz to 33MHz. For host mode, use PCLKOUT0 signal to drive this input. In guest mode, use the system PCI clock to drive this input.
C2	GNT3N	O	PCI bus grant 3. Active low. In host bridge mode, this is an output signal from the internal PCI arbiter to grant PCI bus access to the device connected to REQ3N. In guest bridge mode, this signal is reserved.
C3	GNT2N	O	PCI bus grant 2. Active low. In host bridge mode, this is an output signal from the internal PCI arbiter to grant PCI bus access to the device connected to REQ2N. In guest bridge mode, this signal is reserved.
C4	GNT1N	O	PCI bus grant 1. Active low. In host bridge mode, this is an output signal from the internal PCI arbiter to grant PCI bus access to the device connected to REQ1N. In guest bridge mode, this signal is an output to indicate that the KS8695P is requesting to access the PCI bus as a PCI master. In guest bridge mode, this is basically the KS8695P's request output.
B2	REQ3N	I	PCI bus request 3. Active low. In host bridge mode, this is an input signal from the external PCI device to request PCI bus access. In guest bridge mode, this signal is reserved.
B3	REQ2N	I	PCI bus request 2. Active low. In host bridge mode, this is an input signal from the external PCI device to request PCI bus access. In guest bridge mode, this signal is reserved.
B4	REQ1N	I	PCI bus request 1. Active low. In host bridge mode, this is an input signal from the external PCI device to request PCI bus access. In guest bridge mode, this is an input signal from an external PCI bus arbiter granting access to the bus. In guest bridge, this is basically the KS8695P's grant input.
A4 D5 B5 C5 A5 D6 B6 C6 B7 C7 A7 D8 B8 D9 A8 C9 D12 B12 C12 A12 D13 B13 C13 A13 B14 C14 A14 D15 B15	PAD31 PAD30 PAD29 PAD28 PAD27 PAD26 PAD25 PAD24 PAD23 PAD22 PAD21 PAD20 PAD19 PAD18 PAD17 PAD16 PAD15 PAD14 PAD13 PAD12 PAD11 PAD10 PAD9 PAD8 PAD7 PAD6 PAD5 PAD4 PAD3	I/O	32-Bit PCI address and data. PCI bus transactions consist of an address phase followed by one or more data phases. Address and data signals are multiplexed on the same pins. For a PCI write transaction, the source of the data is the KS8695P. For a PCI read transaction, the data source is the target. The KS8695P supports both read and write burst transactions. In the case of a read transaction, a special data turn around cycle is needed between the address phase and the data phase(s).

**General Purpose I/O Pins (continued)**

Pin	Name	I/O Type <sup>(1)</sup>	Description
C15 A15 A16	PAD2 PAD1 PAD0	I/O	32-Bit PCI address and data (continued from previous page).
A6 B9 A11 D14	CBEN3 CBEN2 CBEN1 CBEN0	I/O	PCI commands and byte enable. Active low. The PCI command and byte enable signals are multiplexed on the same pins. During the first clock cycle of a PCI transaction, the CBEN bus contains the command for the transaction. The PCI transaction consists of the address phases and one or more data phases. During the data phases of the transaction, the bus carries the byte enable for the current data phases.
C8	PAR	I/O	Parity. PCI bus parity is even across PAD[31:0] and CBEN[3:0]. The KS8695P generates PAR during the address phase and write data phases as a bus master and during read data phases as a target. It checks for correct PAR during the read data phase as a bus master, during every address phase as a bus slave, and during write data phases as a target.
D10	FRAMEN	I/O	PCI bus frame signal. Active low. FRAMEN is an indication of an active PCI bus cycle. It is asserted at the beginning of a PCI transaction, i.e. the address phase, and deasserted before the final transfer of the data phase of the transaction.
A9	IRDYN	I/O	PCI initiator ready signal. Active low. This signal is asserted by a PCI master to indicate a valid data phase on the PAD bus during data phases of a write transaction. During a read transaction, it indicates that the master is ready to accept data from the target. A target monitors the IRDYN signal when a data phase is completed on any rising edge of the PCI clock when both IRDYN and TRDYN are asserted. Wait cycles are inserted until both IRDYN and TRDYN are asserted together.
C10	TRDYN	I/O	PCI target ready signal. Active low. This signal is asserted by a PCI slave to indicate a valid data phase on the PAD bus during a read transaction. During a write transaction, it indicates that the slave is ready to accept data from the target. A PCI initiator monitors the TRDYN signal when a data phase is completed on any rising edge of the PCI clock when both IRDYN and TRDYN are asserted. Wait cycles are inserted until both IRDYN and TRDYN are asserted together.
C11	DEVSELN	I/O	PCI device select signal. Active low. This signal is asserted when the KS8695P is selected as a target during a bus transaction. When the KS8695P is the initiator of the current bus access, it expects the target to assert DEVSELN within five PCI bus cycles, confirming the access. If the target does not assert DEVSELN within the required bus cycles, the KS8695P aborts the bus cycle. To meet the timing requirement, the KS8695P asserts this signal in a medium speed decode timing. (two bus cycles).
D7	IDSEL	I	Initialization device select. Active high. It is used as a chip select during configuration read and write transactions.
D11	STOPN	I/O	PCI stop signal. Active low. This signal is asserted by the PCI target to indicate to the bus master that it is terminating the current transaction. The KS8695P responds to the assertion of STOPN when it is the bus master, either to disconnect, retry, or abort the transaction.
B11	PERRN	I/O	PCI parity error signal. Active low. The KS8695P asserts PERRN when it checks and detects a bus parity error. When it generates the PAR output, the KS8695P monitors for any reported parity error on PERRN. When the KS8695P is the bus master and a parity error is detected, the KS8695P sets error bits in the control status registers. It completes the current data burst transaction, and then stops the operation. After the host clears the system error, the KS8695P continues its operation.
A10	SERRN	O	PCI system error signal. Active low. If an address parity error is detected, the KS8695P asserts the SERRN signal two clocks after the failing address.
E4	M66EN	I	PCI 66MHz enable. When asserted, this signal indicates the PCI bus segment is operating at 66MHz. This pin is mainly used in guest bridge mode when the PCLK is driven by an external host bridge.

**General Purpose I/O Pins (continued)**

Pin	Name	I/O Type <sup>(1)</sup>	Description
D1	PCLKOUT3	O	PCI clock output 3. In host bridge mode driven as 33MHz In guest bridge mode, this signal is reserved
C1	PCLKOUT2	O	PCI clock output 2. In host bridge mode driven as 33MHz In guest bridge mode, this signal is reserved
B1	PCLKOUT1	O	PCI clock output 1. In host bridge mode driven as 33MHz In guest bridge mode, this signal is reserved
A2	PCLKOUT0	O	PCI clock output 0. In host bridge mode driven as 33MHz In guest bridge mode, this signal is reserved
B10	CLKRUNN	I/O	This is a cardbus only signal. The CLKRUNN signal is used by portable cardbus devices to request that the system turn on the bus clock. Output is always active in cardbus and miniPCI modes.
D2	MPCIACTN	O	MiniPCI active. This signal is asserted by the PCI device to indicate that its current function requires full system performance. MPCIACTN is an open drain output signal. In miniPCI mode, this signal is always low.
D3	PBMS	I	PCI bridge mode select. This selects the operating mode for the PCI bridge. When PBMS is high, the host bridge mode is selected and the on-chip PCI bus arbiter is enabled. When PBMS is low, the guest bridge mode is selected and the on-chip arbiter is disabled.

**Advanced Memory Interface (SDRAM/ROM/FLASH/SRAM/EXTERNAL I/O)**

Pin	Name	I/O Type <sup>(1)</sup>	Description
T7	SDICLK	I	SDRAM Clock In: SDRAM clock input for the SDRAM memory controller interface.
U7	SDOCLK	O	System/SDRAM Clock Out: Output of the internal system clock, it is also used as the clock signal for SDRAM interface.
P4	ADDR21/BA1	O	Address Bit 21/Bank Address Input 1: Address bit 21 for asynchronous accesses. Bank Address Input bit 1 for SDRAM accesses.
P3	ADDR20/BA0	O	Address Bit 20/Bank Address Input 0: Address bit 20 for asynchronous accesses. Bank Address Input bit 0 for SDRAM accesses.
M3 M2 M1 N4 N3 N2 N1 P2 P1 R3 R2 R1 T2 T1 U1 U2 T3 U3 T4 U4	ADDR[19] ADDR[18] ADDR[17] ADDR[16] ADDR[15] ADDR[14] ADDR[13] ADDR[12] ADDR[11] ADDR[10] ADDR[9] ADDR[8] ADDR[7] ADDR[6] ADDR[5] ADDR[4] ADDR[3] ADDR[2] ADDR[1] ADDR[0]	O	Address Bus: The 22-bit address bus (including ADDR[21:20] above) covers 4M word memory space shared by ROM/SRAM/FLASH, SDRAM, and external I/O banks. During the SDRAM cycles, the internal address bus is used to generate RAS and CAS addresses for the SDRAM. The number of column address bits in the SDRAM banks can be programmed from 8 to 11 bits via the SDRAM control registers. ADDR[12:0] are the SDRAM address and ADDR[21:20] are the SDRAM bank address. During other cycles, the ADDR[21:0] is the byte address of the data transfer. For SDRAM and FLASH/ROM/SRAM, connect all address lines, i.e. A0 to A0, A1 to A1, etc. The memory controller automatically handles address line adjustments for the 8/16/32 bit accesses. For external I/O devices, the user needs to connect address lines for 8/16/32 bit accesses.

**Note:**

1. I = Input.  
O = Output.  
I/O = Bidirectional.

## Advanced Memory Interface (SDRAM/ROM/FLASH/SRAM/EXTERNAL I/O) (continued)

Pin	Name	I/O Type <sup>(1)</sup>	Description
P7 R7 P8 R8 T8 U8 P9 R9 T9 U9 P10 R10 T10 U10 P11 R11 T11 U11 P12 R12 T12 U12 P13 R13 T13 U13 P14 R14 T14 U14 T15 U15	DATA[31] DATA[30] DATA[29] DATA[28] DATA[27] DATA[26] DATA[25] DATA[24] DATA[23] DATA[22] DATA[21] DATA[20] DATA[19] DATA[18] DATA[17] DATA[16] DATA[15] DATA[14] DATA[13] DATA[12] DATA[11] DATA[10] DATA[9] DATA[8] DATA[7] DATA[6] DATA[5] DATA[4] DATA[3] DATA[2] DATA[1] DATA[0]	I/O	External Data Bus. 32-Bit bi-directional data bus for data transfer. The KS8695P also supports 8-bit and 16-bit data bus widths.
R4 P5	SDCSN[1] SDCSN[0]	O	SDRAM Chip Select: Active low chip select pins for SDRAM. The KS8695P supports up to two SDRAM banks. One SDCSN output is provided for each bank.
R5	SDRASN	O	SDRAM Row Address Strobe: Active low. The row address strobe pin for SDRAM.
T5	SDCASN	O	SDRAM Column Address Strobe: Active low. The column address strobe pin for SDRAM.
U5	SDWEN	O	SDRAM Write Enable: Active low. The write enable signal for SDRAM.
P6 R6 T6 U6	SDQM[3] SDQM[2] SDQM[1] SDQM[0]	O	SDRAM Data Input/Output Mask: Data input/output mask signals for SDRAM. The SDQM is sampled high and is an output mask signal for write accesses and an output enable signal for read accesses. Input data are masked during a write cycle. The SDQM0/1/2/3 correspond to DATA[7:0], DATA[15:8], DATA[23:16] and DATA[31:24], respectively.
U16 T16 R16	ECSN[2] ECSN[1] ECSN[0]	O	External I/O Device Chip Select: Active low. Three external I/O banks are provided for external memory mapped I/O operations. Each I/O bank stores up to 16KB. The ECSNx signals indicate which of the three I/O banks is selected.
P16	EWAITN	I	External Wait: Active low. This signal is asserted when an external I/O device or a ROM/SRAM/FLASH bank needs more access cycles than those defined in the corresponding control register.
R15 P15	RCSN[1] RCSN[0]	O	ROM/SRAM/FLASH Chip Select: Active low. The KS8695P can access up to two external ROM/SRAM/FLASH memory banks. The RCSN pins can be controlled to map the CPU addresses into physical memory banks.

**Note:**

1. I = Input.  
O = Output.  
I/O = Bidirectional.

**Advanced Memory Interface (SDRAM/ROM/FLASH/SRAM/EXTERNAL I/O) (continued)**

Pin	Name	I/O Type <sup>(1)</sup>	Description
T17	EROEN/ WRSTPLS	O/I	Normal mode: External I/O and ROM/SRAM/FLASH output enable: Active low. When asserted, this signal controls the output enable port of the specified memory device. During reset: Watchdog timer reset polarity setting. WRSTPLS=0, active low; WRSTPLS = 1, active high. No default.
M17	ERWEN0/ TESTACK	O	External I/O and ROM/SRAM/FLASH write byte enable: Active low. When asserted, the ERWENx controls the byte write enable of the memory device (except SDRAM). ARM CPU test signal (factory reserved test signal).
N17	ERWEN1/ TESTREQB	O	External I/O and ROM/SRAM/FLASH write byte enable: Active low. When asserted, the ERWENx controls the byte write enable of the memory device (except SDRAM). ARM CPU test signal (factory reserved test signal).
P17	ERWEN2/ TESTREQA	O	External I/O and ROM/SRAM/FLASH write byte enable: Active low. When asserted, the ERWENx controls the byte write enable of the memory device except SDRAM). ARM CPU test signal (factory reserved test signal).
R17	ERWEN3/ TICTESTENN	O	External I/O and ROM/SRAM/FLASH write byte enable. Active low. When asserted, the ERWENx controls the byte write enable of the memory device (except SDRAM). ARM CPU test signal (factory reserved test signal).
E15	WLED0/ B0SIZE0	O/I	Normal mode: WAN LED indicator 0: Programmable via WAN misc. Control register bits [2:0]. 000 = Speed; 001 = Link; 010 = Full/half duplex; 011 = Collision; 100 = TX/RX activity; 101 = Full-duplex collision; 110 = Link/Activity. During reset: Bank 0 data access size. Bank 0 is used for the boot program. B0SiZE[1:0] are used to specify the size of the bank 0 data bus width as follows: '01' = one byte, '10' = half-word, '11' = one word, and '00' = reserved.
E14	WLED1/ B0SIZE1	O/I	Normal mode: WAN LED indicator 1: Programmable via WAN Misc. Control register bits [6:4]. 000 = Speed; 001 = Link; 010 = Full/half duplex; 011 = Collision; 100 = TX/RX activity; 101 = Full-duplex collision; 110 = Link/Activity. During reset: Bank 0 data access size. Bank 0 is used for the boot program. B0SiZE[1:0] are used to specify the size of the bank 0 data bus width as follows: '01' = one byte, '10' = half-word, '11' = one word, and '00' = reserved.

**Factory Test Pins**

Pin	Name	I/O Type <sup>(1)</sup>	Description
F7	TESTEN	I	Factory test signal. Pull-down or direct connect to GND required.
M4	TEST1	I	Factory test signal. No connect for normal operation.
F4	TEST2	I	Factory test signal. No connect for normal operation.

**Note:**

1. I = Input.

O = Output.

O/I = Output in normal mode; input pin during reset.



**Power and Ground Pins**

Pin	Name	I/O Type <sup>(1)</sup>	Description
E5 E6 F5 F6 G5 G6 H5 H6 J5 J6	VDDA1.8	P	1.8V analog V <sub>DD</sub> .
E7 E8 E9 E10 F7 F8 F9 F10 M7 M8 M9 H12 H13 J12 J13 K12 K13 N7 N8 N9	VDD1.8	P	1.8V digital core V <sub>DD</sub> .
K5 K6 L5 L6 M5 M6 N5 N6	VDDA3.3	P	3.3V analog V <sub>DD</sub> .
E11 E12 E13 F11 F12 F13 G12 G13 L12 L13 M10 M11 M12 M13 N10 N11 N12 N13	VDD3.3	P	3.3V digital I/O V <sub>DD</sub> .

**Note:**

1. P = Power supply.

**Power and Ground Pins (continued)**

Pin	Name	I/O Type <sup>(1)</sup>	Description
E3 H7 J7 K7 L7	AGND	Gnd	Analog Ground.
A1 G7 G8 G9 G10 G11 H8 H9 H10 H11 J8 J9 J10 J11 K8 K9 K10 K11 L8 L9 L10 L11	GND	Gnd	Ground.

**Note:**

1. Gnd = Ground.

## Address Map and Register Description

### Memory Map

Upon power up, the KS8695P memory map is configured as shown below.

Address Range	Region	Description
0x03FF0000-0x03FFFFFF	64KB	KS8695P System Configuration Register Space
0x02000000-0x03FEFFFF	32MB	Not Configured
0x00000000-0x01FFFFFF	32MB	Flash Bank 0

### Memory Map Example

The default base address for the KS8695P system configuration registers is 0x03ff0000. After power up, the user is free to remap the memory for their specific application. The following is an example of the memory space remapped for operation.

Address Range	Region	Description
0x03FF0000-0x03FFFFFF	64KB	KS8695P System Configuration Register Space
0x03E00000-0x03FEFFFF	2MB	Disabled, Not Used
0x03200000-0x036FFFFFF	5MB	Space (External I/O)
0x02C00000-0x031FFFFFF	6MB	Reserved FLASH Space, Not Used
0x02800000-0x02BFFFFFF	4MB	FLASH
0x02000000-0x027FFFFFF	8MB	Disabled, Not Used
0x00000000-0x01FFFFFF	32MB	SDRAM

### Register Description

The KS8695P system configuration registers (SCRs) are located in a block of 64KB in the host memory address space. After power up and initialization, the user can remap the SCRs to a desired offset. The SCRs are 32 bits wide. They are 32 bit word-aligned and must be accessed using word instructions.

The AHB-PCI bridge configuration registers are also included in the SCRs. A subset of the AHB-PCI bridge configuration registers is also accessible to an external PCI host when the KS8695P is configured in PCI guest mode. Refer to the detailed Register Description document for additional information, including bit definitions. If you don't have this document, contact your local Micrel Field Application Engineer or salesperson.

Address Range	Register Type
0x0000 – 0x0004	System Registers
0x2000 – 0x2224	PCI-AHB Bridge Configuration
0x4000 – 0x4040	Memory Controller Interface
0x6000 – 0x60FC	WAN DMA
0x8000 – 0x80FC	LAN DMA
0xA000 – 0xA0FC	Reserved
0xE000 – 0xA0FC	UART Registers
0xE200 – 0xE234	Interrupt Controller
0xE400 – 0xE410	Timer Registers
0xE600 – 0xE608	General Purpose I/O
0xE800 – 0xE850	Switch Engine Configuration
0xEA00 – 0xEA18	Miscellaneous Registers

Register Type	Address Range
System Configuration	0x03FFFFFF – 0x03FEFFFF
External I/O Bank 2	0x03FEFFFF – 0x039FFFFFF
External I/O Bank 1	0x039FFFFFF – 0x035FFFFFF
External I/O Bank 0	0x035FFFFFF – 0x031FFFFFF
Not Used	0x031FFFFFF – 0x02FFFFFF
Flash Bank 0 – 4MB	0x02FFFFFF – 0x027FFFFFF
Not Used	0x027FFFFFF – 0x00FFFFFF
SDRAM 16MB	0x00FFFFFF – 0x00000000

**Absolute Maximum Ratings<sup>(1)</sup>****Supply Voltage** $(V_{DDA1.8}, V_{DD1.8})$  ..... -0.5V to +2.4V $(V_{DDA3.3}, V_{DD3.3})$  ..... -0.5V to +4.0V

Input Voltage (all inputs) ..... -0.5V to +4.0V

Output Voltage (all outputs) ..... -0.5V to +4.0V

Lead Temperature (soldering, 10sec.) ..... 270°C

Pb (Lead) Free Temperature (soldering, 10sec.) ..... 260°C

Storage Temperature ( $T_s$ ) ..... -55°C to +150°C**Operating Ratings<sup>(2)</sup>****Supply voltage** $(V_{DDA1.8}, V_{DD1.8})$  ..... +1.7V to +1.9V $(V_{DDA3.3}, V_{DD3.3})$ <sup>(3)</sup> ..... +3.0V to +3.6VAmbient Temperature ( $T_A$ ) ..... -0°C to +70°CJunction Temperature ( $T_J$ ) ..... 150°C**Package Thermal Resistance<sup>(4)</sup>**PBGA ( $\theta_{JA}$ ) No Air Flow ..... 29.86°C/W

1m/s ..... 21.86°C/W

2m/s ..... 21.54°C/W

( $\theta_{JC}$ ) No Air Flow ..... 8.34°C/W**Electrical Characteristics<sup>(5)</sup>**

Symbol	Parameter	Condition	Min	Typ	Max	Units
<b>Total Supply Current (including TX output driver current)</b>						
<b>100BASE-TX Operation: All ports 100% Utilization, SDOCLK = 125MHz</b>						
$I_{TX}$	100BASE-TX (Analog TX)	$V_{DDA3.3} = +3.3V$		0.032		A
$I_{RX}$	100BASE-TX (Analog RX)	$V_{DDA1.8} = +1.8V$		0.072		A
$I_{DDIO}$	100BASE-T (Digital I/O)	$V_{DD3.3} = +3.3V$		0.033		A
$I_{DDC}$	100BASE-T (Digital Core)	$V_{DD1.8} = +1.8V$		0.235		A
<b>10BASE-TX Operation: All ports 100% Utilization, SDOCLK = 125MHz</b>						
$I_{TX}$	10BASE-TX (Analog TX)	$V_{DDA3.3} = +3.3V$		0.030		A
$I_{RX}$	10BASE-TX (Analog RX)	$V_{DDA1.8} = +1.8V$		0.072		A
$I_{DDIO}$	10BASE-T (Digital I/O)	$V_{DD3.3} = +3.3V$		0.025		A
$I_{DDC}$	10BASE-T (Digital Core)	$V_{DD1.8} = +1.8V$		0.234		A
<b>Auto-Negotiation Mode: SDOCLK = 125MHz</b>						
$I_{TX}$	10BASE-TX (Analog TX)	$V_{DDA3.3} = +3.3V$		0.032		A
$I_{RX}$	10BASE-TX (Analog RX)	$V_{DDA1.8} = +1.8V$		0.07		A
$I_{DDIO}$	10BASE-T (Digital I/O)	$V_{DD3.3} = +3.3V$		0.021		A
$I_{DDC}$	10BASE-T (Digital Core)	$V_{DD1.8} = +1.8V$		0.233		A
<b>TTL Inputs (PCI, LED, Memory Interface, UART)</b>						
$V_{IH}$	Input High Voltage		2.0			V
$V_{IL}$	Input Low Voltage				0.8	V
$I_{IN}$	Input Current (Excluding pull-up/pull-down)	$V_{IN} = GND \sim V_{DD3.3}$	-10		10	$\mu A$
<b>TTL Outputs (PCI, LED, Memory Interface, UART)</b>						
$V_{OH}$	Output High Voltage	$I_{OH} = -8mA; V_{DD3.3}$	2.4			V
$V_{OL}$	Output Low Voltage	$I_{OL} = 8mA$			0.7	V
$I_{OZ}$	Output Tri-state Leakage				10	$\mu A$

Symbol	Parameter	Condition	Min	Typ	Max	Units
<b>100BASE-TX Transmit (measured differentially after 1:1 transformer)</b>						
$V_O$	Peak Differential Output Voltage	100 $\Omega$ termination on the differential output	0.95		1.05	V
$V_{IMB}$	Output Voltage Imbalance	100 $\Omega$ termination on the differential output			2	%
$t_r, t_f$	Rise/Fall Time		3		5	ns
	Rise/Fall Time Imbalance		0		0.5	ns
	Duty Cycle Distortion				$\pm 0.5$	ns
	Overshoot				5	%
$V_{SET}$	Reference Voltage of ISET			0.5		V
	Output Jitters	Peak-to-peak		0.7	1.4	ns
<b>10BASE-T Receive</b>						
$V_{SQ}$	Squelch Threshold	5MHz square wave		400		mV
<b>10BASE-T Transmit (measured differentially after 1:1 transformer)</b>						
$V_P$	Peak Differential Output Voltage	100 $\Omega$ termination on the differential output		2.3		V
	Jitters Added	100 $\Omega$ termination on the differential output			$\pm 3.5$	ns
	Rise/Fall Time			28	30	ns

**Notes:**

- Exceeding the absolute maximum rating may damage the device.
- The device is not guaranteed to function outside its operating rating. Unused inputs must always be tied to an appropriate logic voltage level (Ground to  $V_{DD}$ ).
- $V_{DDA}$  or  $V_{DD}$  can operate from either a 2.5V or 3.3V supply.
- No heat spreader in package.
- Specification for packaged product only.

## Timing Diagrams

For PCI timing, please refer to the PCI specification, version 2.1.

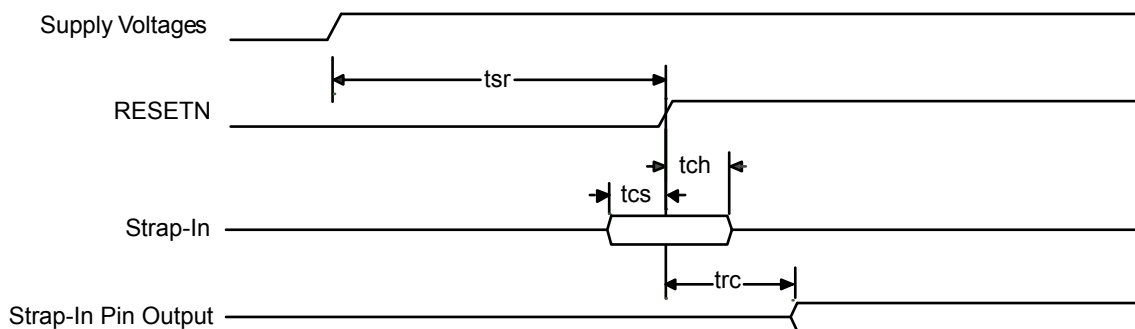


Figure 11. Reset Timing

Symbol	Parameter	Min	Typ	Max	Units
$t_{SR}$	Stable supply voltages to reset high	10			ms
$t_{CS}$	Configuration set-up time	50			ns
$t_{CH}$	Configuration hold time	50			ns
$t_{RC}$	Reset to strap-in pin output	50			ns

Table 2. Reset Timing Parameters

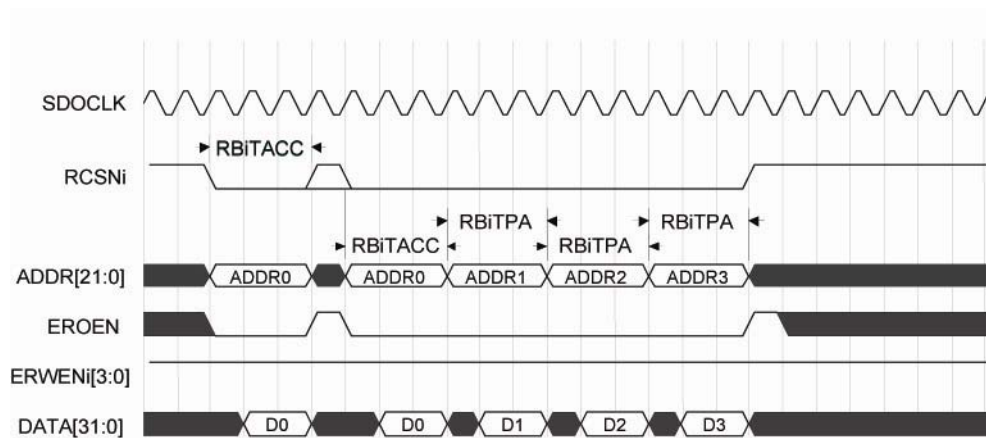


Figure 12. Static Memory Read Cycle

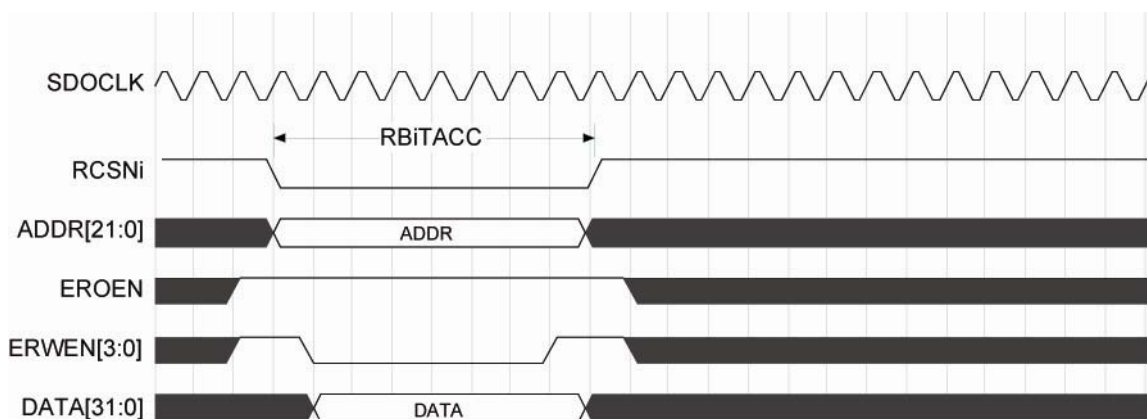


Figure 13. Static Memory Write Cycle

Symbol	Parameter <sup>(1)</sup>	Registers
RBiTACC	Programmable bank i access time	0x4010
RBiTPA	Programmable bank i page access time	0x4014

Table 3. Programmable Static Memory Timing Parameters

Note:

- "i" Refers to chip select parameters 0 and 1.

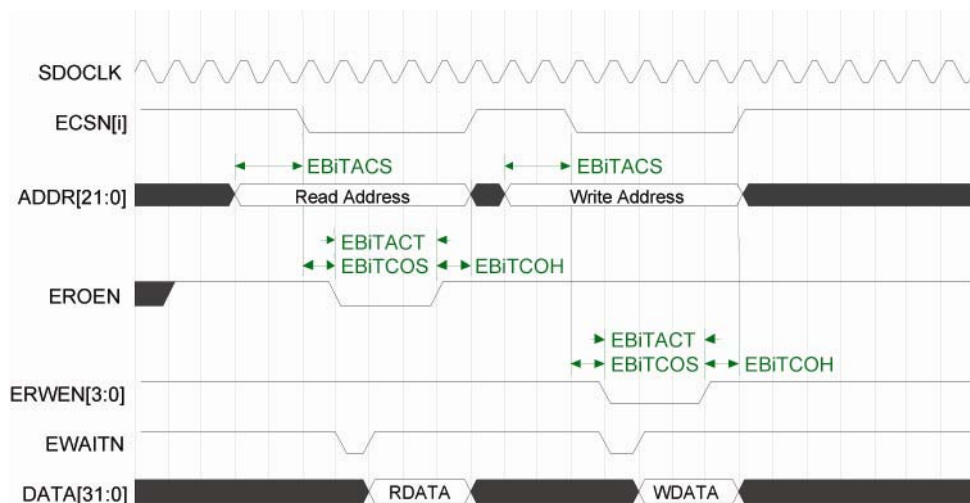


Figure 14. External I/O Read and Write Cycles

Symbol	Parameter	Min <sup>(1)</sup>	Typ <sup>(1)</sup>	Max <sup>(1)</sup>	Units
T <sub>cta</sub>	Valid address to CS setup time	EBiTACS +0.8	EBiTACS +1.1	EBiTACS +1.3	ns
T <sub>cos</sub>	OE valid to CS setup time	EBiTCOS +0.6	EBiTCOS +0.6	EBiTCOS +1.0	ns
T <sub>dsu</sub>	Valid read data to OE setup time	2.0			ns
T <sub>cws</sub>	WE valid to CS setup time	EBiTCOS +0.6	EBiTCOS +0.6	EBiTCOS +1.0	ns
T <sub>dh</sub>	Write data to CS hold time	0			ns
T <sub>cah</sub>	Address to CS hold time	EBiTCOH +1.0	EBiTCOH +1.0	EBiTCOH +1.4	ns
T <sub>oew</sub>	OE/WE pulsewidth	EBiTACT		EBiTACT	ns
T <sub>ocs</sub> , T <sub>csw</sub>	Rising edge CS to OE/WE hold time	0			ns

Table 4. External I/O Memory Timing Parameters

**Note:**

1. Measurements for minimum were taken at 0°C, typical at 25°C, and maximum at 100°C.

Symbol	Parameter <sup>(1)</sup>	Registers
EBiTACS	Programmable bank i address setup time before chip select	0x4000, 0x4004, 0x4008
EBiTACT	Programmable bank i write enable/output enable access time	0x4000, 0x4004, 0x4008
EBiTCOS	Programmable bank i chip select setup time before OEN	0x4000, 0x4004, 0x4008
EBiTCOH	Programmable bank i chip select hold time	0x4000, 0x4004, 0x4008

Table 5. Programmable External I/O Timing Parameters

**Note:**

1. "i" Refers to chip select parameters 0, 1, or 2.



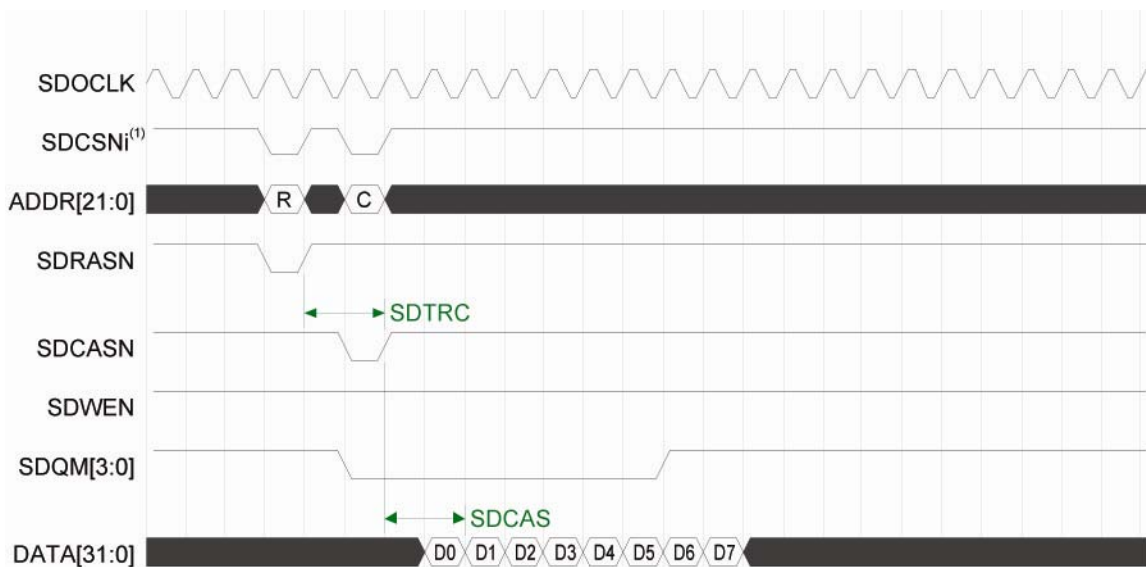


Figure 15. DRAM Read Timing

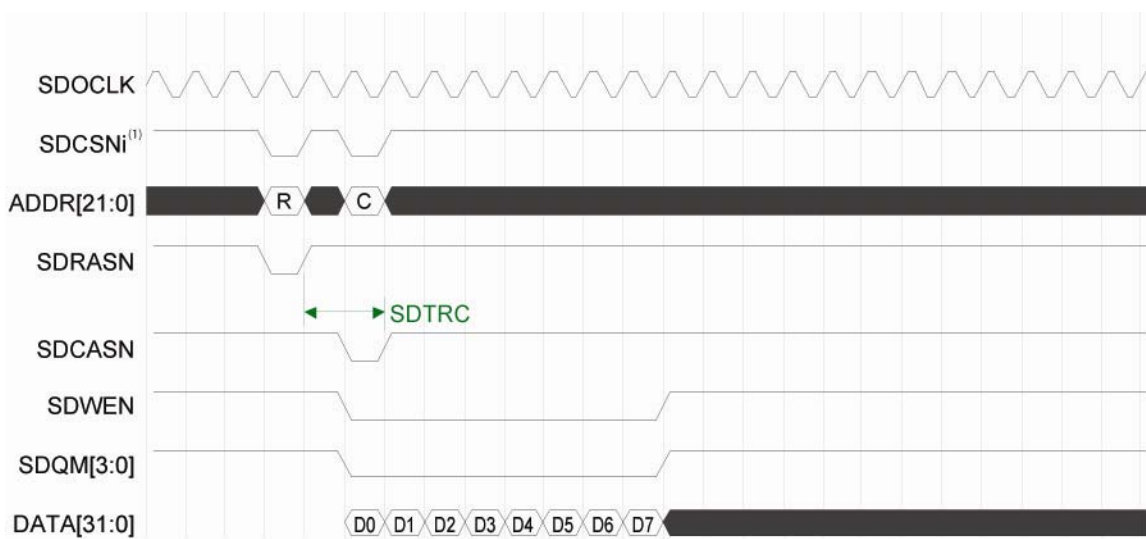


Figure 16. SDRAM Write Timing

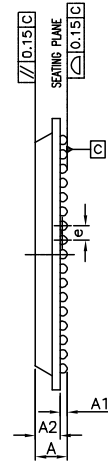
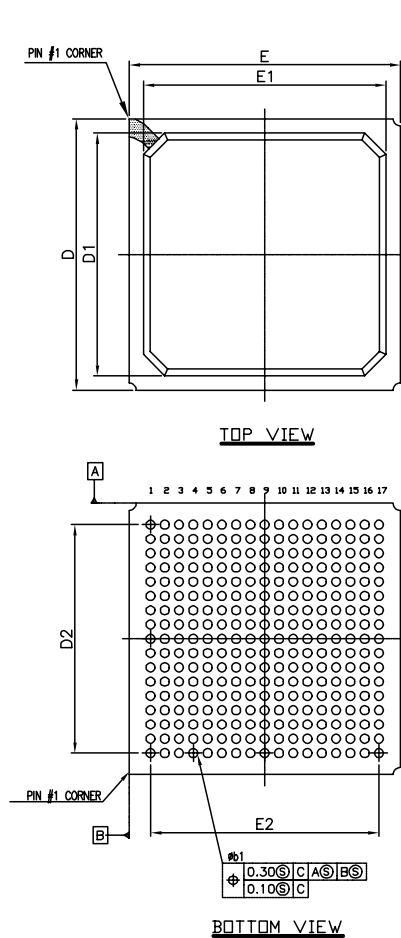
Symbol	Parameter <sup>(1)</sup>	Registers
SDTRC	Programmable SDRAM RAS to CAS latency	0x4038
SDCAS	Programmable SDRAM CAS latency	0x4038

Table 6. SDRAM Timing Parameters

**Note:**

1. "i" Refers to chip select parameters 0 and 1.

# Package Information



SIDE VIEW

SYMBOL	DIMENSION IN MM			DIMENSION IN INCH		
	MIN.	NOM	MAX.	MIN.	NOM	MAX.
A	---	2.21	2.36	---	0.087	0.093
A1	0.43	0.48	0.53	0.017	0.019	0.021
A2	1.63	---	1.83	0.064	---	0.072
b1	0.61	0.63	0.65	0.024	0.025	0.026
b	0.58	0.60	0.62	0.023	0.024	0.025
D	18.95	19.00	19.05	0.747	0.749	0.750
E	18.95	19.00	19.05	0.747	0.749	0.750
D1	16.90	17.00	17.10	0.665	0.669	0.673
D2	16.00 BSC.			0.631 BSC.		
E1	16.90	17.00	17.10	0.665	0.669	0.673
E2	16.00 BSC.			0.631 BSC.		
e	1.00 BSC.			0.039 BSC.		
JEDEC	MO-151					

NOTES: UNLESS OTHERWISE SPECIFIED

- Spec b is solderball diameter before reflow. b1 is solder ball diameter after reflow.

## 289-Pin PBGA

**MICREL, INC. 2180 FORTUNE DRIVE SAN JOSE, CA 95131 USA**  
 TEL +1 (408) 944-0800 FAX +1 (408) 474-1000 WEB <http://www.micrel.com>

The information furnished by Micrel in this data sheet is believed to be accurate and reliable. However, no responsibility is assumed by Micrel for its use. Micrel reserves the right to change circuitry and specifications at any time without notification to the customer.

Micrel Products are not designed or authorized for use as components in life support appliances, devices or systems where malfunction of a product can reasonably be expected to result in personal injury. Life support devices or systems are devices or systems that (a) are intended for surgical implant into the body or (b) support or sustain life, and whose failure to perform can be reasonably expected to result in a significant injury to the user. A Purchaser's use or sale of Micrel Products for use in life support appliances, devices or systems is a Purchaser's own risk and Purchaser agrees to fully indemnify Micrel for any damages resulting from such use or sale.

© 2003 Micrel, Incorporated.