

# 2ED2304S06F

## 650 V Half Bridge Gate Driver with Integrated Bootstrap Diode

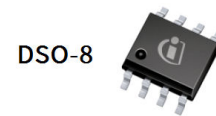
### Feature list

- Infineon Thin-film-SOI-technology
- Fully operational to +650 V
- Floating channel designed for bootstrap operation
- Output source/sink current capability +0.36 A/-0.7 A
- Integrated Ultra-fast, low  $R_{\text{DS(on)}}$  Bootstrap Diode
- Tolerant to negative transient voltage up to -50 V (Pulse width is up 500 ns) given by SOI-technology
- 10 ns typ., 60 ns max. propagation delay matching
- $dV/dt$  immune  $\pm 50$  V
- Gate drive supply range from 10 V to 20 V
- Undervoltage lockout for both channels
- 3.3 V, 5 V and 15 V input logic compatible
- RoHS compliant

### Product summary

- $V_{\text{OFFSET}}$  = 670 V max.
- $I_{\text{O+/-}}$  (typ.) = 0.36 A/0.7 A
- $V_{\text{OUT}}$  = 10 V - 17.5 V
- Delay Matching = 60 ns max.
- Internal deadtime = 75 ns
- $t_{\text{on/off}}$  (typ.) = 310 ns/300 ns

### Package



### Potential applications

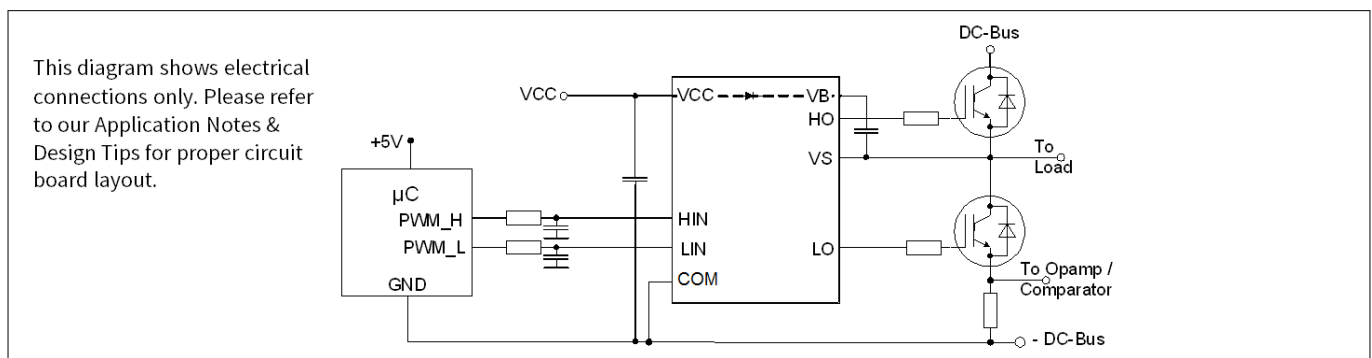
- Motor drives, General purpose inverters
- Refrigeration compressors
- Half-bridge and full-bridge converters in offline AC-DC power supplies for telecom and lighting

### Product validation

Qualified for industrial applications according to the relevant tests of JEDEC47/20/22.

### Description

The 2ED2304S06F is a 650-V half-bridge gate driver. Its Infineon thin-film-SOI technology provides excellent ruggedness and noise immunity. The Schmitt trigger logic inputs are compatible with standard CMOS or LSTTL logic down to 3.3 V. The output drivers features a high pulse current buffer stage designed for minimum driver cross-conduction. The floating channel can be used to drive an N-channel power MOSFET or IGBT in the high side configuration which operates up to 650 V. Additionally, the offline clamping function provides an inherent protection of the parasitic turn-on by floating gate conditions when IC is not supplied.



**Figure 1** Typical connection diagram

**2ED2304S06F**  
**650 V Half Bridge Gate Driver with Integrated Bootstrap Diode**



---

**Device information**

**Device information**

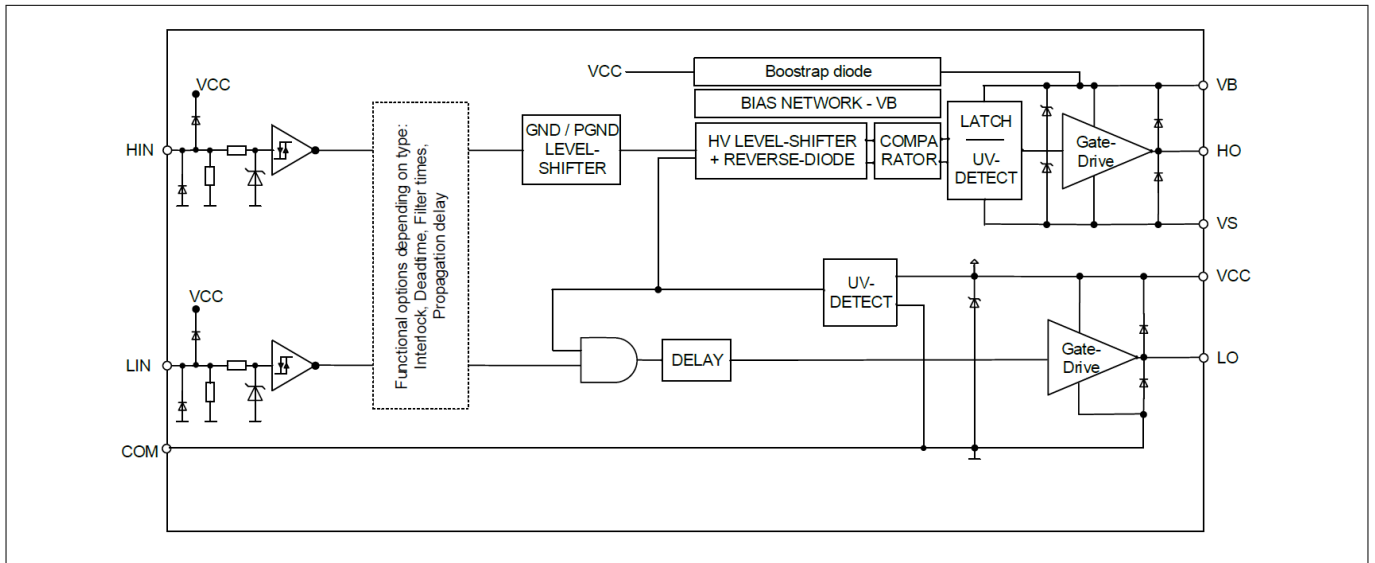
Base Part Number	Package Type	Standard Pack		Orderable Part Number
		Form	Quantity	
2ED2304S06F	DSO-8	Tube/Bulk	95	2ED2304S06FXLSA1
		Tape and Reel	2500	2ED2304S06FXUMA1

## Table of contents

	<b>Feature list</b> .....	1
	<b>Potential applications</b> .....	1
	<b>Product validation</b> .....	1
	<b>Description</b> .....	1
	<b>Device information</b> .....	2
	<b>Table of contents</b> .....	3
<b>1</b>	<b>Block diagram</b> .....	4
<b>2</b>	<b>Lead definitions</b> .....	4
<b>3</b>	<b>Absolute maximum ratings</b> .....	5
<b>4</b>	<b>Recommended operating conditions</b> .....	6
<b>5</b>	<b>Electrical characteristics</b> .....	7
5.1	Static electrical characteristics .....	7
5.2	Dynamic electrical characteristics .....	8
<b>6</b>	<b>Package information DSO-8</b> .....	9
<b>7</b>	<b>Qualification information</b> .....	11
<b>8</b>	<b>Related products</b> .....	12
	<b>Revision history</b> .....	13
	<b>Disclaimer</b> .....	14

**Block diagram**

**1 Block diagram**

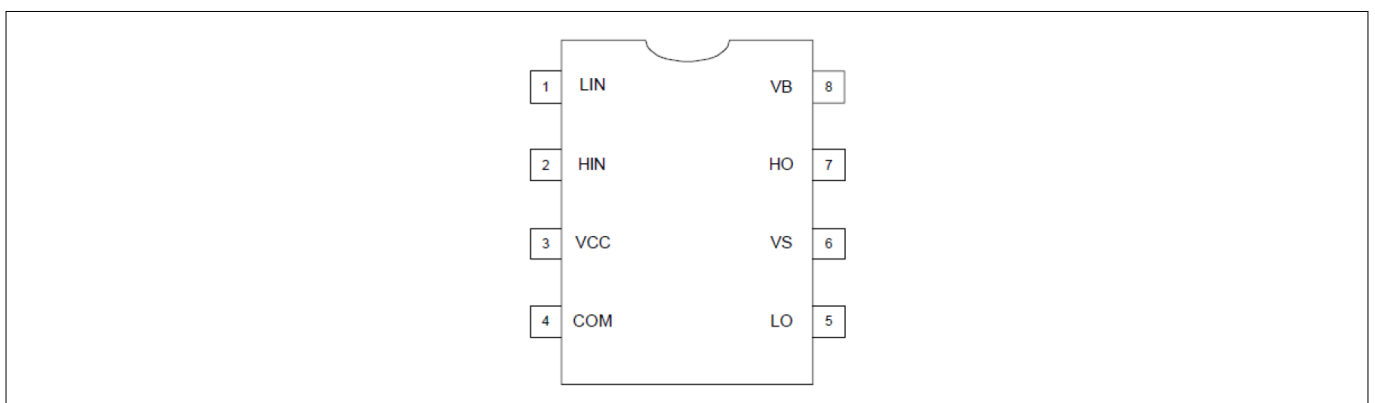


**Figure 2 Functional block diagram**

**2 Lead definitions**

**Table 1 2ED2304S06F lead definitions**

Pin	Symbol	Description
1	LIN	Logic input for low-side gate driver output (LO), in phase. Schmitt trigger inputs with hysteresis and pull down
2	HIN	Logic input for high-side gate driver output (HO), in phase. Schmitt trigger inputs with hysteresis and pull down
3	VCC	Low-side and logic supply voltage
4	COM	Low-side gate drive return
5	LO	Low-side driver output
6	VS	High voltage floating supply return
7	HO	High-side driver output
8	VB	High-side gate drive floating supply



**Figure 3 2ED2304S06F lead assignments (DSO-8)**

**Absolute maximum ratings**

### 3 Absolute maximum ratings

**Table 2 Absolute maximum ratings**

Absolute maximum ratings indicate sustained limits beyond which damage to the device may occur. All voltage parameters are absolute voltages referenced to COM unless otherwise stated in the table. The thermal resistance and power dissipation ratings are measured under board mounted and still air conditions.

Parameter	Symbol	Values		Unit	Note or Test Condition
		Min.	Max.		
High side floating offset voltage	$V_B$	$V_{CC} - 6$	670	V	<sup>1)</sup>
		$V_{CC} - 50$	–	V	$t_p < 500 \text{ ns}$ <sup>1)</sup>
High side floating offset voltage	$V_S$	$V_{CC} - V_{BS} - 6$	650	V	–
		$V_{CC} - V_{BS} - 50$	–	V	$t_p < 500 \text{ ns}$ <sup>1)</sup>
High side floating output voltage	$V_{HO}$	$V_S - 0.5$	$V_B + 0.5$	V	–
Floating gate drive voltage supply voltage	$V_{BS}$	-1	20	V	
Low side supply voltage	$V_{CC}$	-1	20	V	–
Low-side output voltage	$V_{LO}$	-0.5	$V_{CC} + 0.5$	V	–
Logic input voltage	$V_{IN}$	-0.5	$V_{CC} - 0.5$	V	–
Allowable $V_S$ offset supply transient relative to COM	$dV_S/dt$	–	50	V/ns	<sup>2)</sup>
Package power dissipation	$P_D$	–	0.6	W	@ $T_A \leq +25 \text{ }^\circ\text{C}$
Thermal resistance, junction to ambient	$R_{thJA}$	–	195	$^\circ\text{C}/\text{W}$	–
Junction temperature	$T_J$	–	150	$^\circ\text{C}$	–
Storage temperature	$T_S$	-40	150	$^\circ\text{C}$	–
Lead temperature	$T_L$	–	300	$^\circ\text{C}$	soldering, 10 seconds

<sup>1)</sup> In case  $V_{CC} > V_B$  there is an additional power dissipation in the internal bootstrap diode between pins  $V_{CC}$  and  $V_B$  in case of activated bootstrap diode. Insensitivity to negative transient not subject to production test. Verified by design/characterization.

<sup>2)</sup> Not subject to production test, verified by characterization

**Recommended operating conditions**

## 4 Recommended operating conditions

**Table 3 Recommended operating conditions**

For proper operation, the device should be used within the recommended conditions. All voltage parameters are absolute voltages referenced to COM unless otherwise stated in the table. The offset rating is tested with supplies of  $(V_{CC} - COM) = (V_B - V_S) = 15\text{ V}$ .

Parameter	Symbol	Values		Unit	Note or Test Condition
		Min.	Max.		
High side floating well supply voltage	$V_B$	$V_S + 10$	$V_S + 17.5$	V	–
High side floating well supply offset voltage	$V_S$	$V_{CC} - V_{BS} - 1$	650	V	1)
Floating gate drive output voltage	$V_{HO}$	10	$V_{BS}$	V	–
High-side supply voltage	$V_{BS}$	10	17.5	V	
Low-side supply voltage	$V_{CC}$	10	17.5	V	–
Low side output voltage	$V_{LO}$	0	$V_{CC}$	V	–
Logic input voltage	$V_{IN}$	0	$V_{CC}$	V	2)
Ambient temperature	$T_A$	-40	125	°C	–
Pulse width for ON and OFF	$t_{IN}$	0.3	–	µs	3)

1 Logic operation for  $V_S$  of -8 V to +600 V

2 All input pins (HIN, LIN) are internally clamped

3 Input pulses may not be transmitted properly in case of LIN/HIN below 0.3 µs

## Electrical characteristics

# 5 Electrical characteristics

## 5.1 Static electrical characteristics

**Table 4** Static electrical characteristics

$(V_{CC} - COM) = (V_B - V_S) = 15\text{ V}$ , and  $T_A = 25\text{ °C}$  unless otherwise specified. The  $V_{IL}$ ,  $V_{IH}$  and  $I_{IN}$  parameters are referenced to COM and are applicable to the respective input pins: HIN and LIN. The  $V_O$  and  $I_O$  parameters are referenced to COM/VS and are applicable to the respective output leads HO or LO. The  $V_{CCUV}$  parameters are referenced to COM. The  $V_{BSUV}$  parameters are referenced to  $V_S$ .

Parameter	Symbol	Values			Unit	Note or test condition
		Min.	Typ.	Max.		
$V_{BS}$ supply undervoltage positive going threshold	$V_{BSUV+}$	8.3	9.1	9.9	V	–
$V_{BS}$ supply undervoltage negative going threshold	$V_{BSUV-}$	7.5	8.3	9.0	V	–
$V_{BS}$ supply undervoltage hysteresis	$V_{BSUVHY}$	0.5	0.9	–	V	–
$V_{CC}$ supply undervoltage positive going threshold	$V_{CCUV+}$	8.3	9.1	9.9	V	–
$V_{CC}$ supply undervoltage negative going threshold	$V_{CCUV-}$	7.5	8.3	9.0	V	–
$V_{CC}$ supply undervoltage hysteresis	$V_{CCUVHY}$	0.5	0.9	–	V	–
High-side floating well offset supply leakage	$I_{LK}$	–	1	12.5	$\mu\text{A}$	$V_B = V_S = 600\text{ V}$
		–	10	–	$\mu\text{A}$	<sup>1)</sup> $T_J = 125\text{ °C}$ , $V_S = 600\text{ V}$
Quiescent $V_{BS}$ supply current	$I_{QBS}$	–	170	300	$\mu\text{A}$	–
Quiescent $V_{CC}$ supply current	$I_{QCC}$	–	300	600	$\mu\text{A}$	–
High level output voltage drop, $V_{BIAS} - V_O$	$V_{OH}$	–	0.45	1	V	$I_O = 20\text{ mA}$
Low level output voltage drop, $V_O$	$V_{OL}$	–	0.13	0.3	V	$I_O = 20\text{ mA}$
Peak output current turn-on	$I_{o+}$	–	360	–	mA	<sup>1)</sup> $V_O = 0\text{ V}$ , $PW \leq 10\text{ }\mu\text{s}$
Mean output current from 3 V (20%) to 6 V (40%)	$I_{o+mean}$	180	230	–	mA	$C_L = 22\text{ nF}$
Peak output current turn-off	$I_{o-}$	–	700	–	mA	<sup>1)</sup> $V_O = 15\text{ V}$ , $PW \leq 10\text{ }\mu\text{s}$
Mean output current from 12 V (80%) to 9 V (60%)	$I_{o-mean}$	390	480	–	mA	$C_L = 22\text{ nF}$
Logic “1” input voltage	$V_{IH}$	1.7	2.1	2.4	V	–
Logic “0” input voltage	$V_{IL}$	0.7	0.9	1.1	V	–
Input bias current (HO = High)	$I_{IN+}$	15	35	60	$\mu\text{A}$	$V_{IN} = 3.3\text{ V}$
Input bias current (HO = Low)	$I_{IN-}$	–	0	–	$\mu\text{A}$	$V_{IN} = 0\text{ V}$
Bootstrap diode forward voltage between $V_{CC}$ and $V_B$	$V_{FBSD}$	–	1	1.2	V	$I_F = 0.3\text{ mA}$
Bootstrap diode forward current between $V_{CC}$ and $V_B$	$I_{FBSD}$	30	55	80	mA	$V_{CC} - V_B = 4\text{ V}$

<sup>1</sup> Not subject of production test, verified by characterization

## Electrical characteristics

**Table 4 Static electrical characteristics (continued)**

$(V_{CC} - COM) = (V_B - V_S) = 15\text{ V}$ , and  $T_A = 25\text{ °C}$  unless otherwise specified. The  $V_{IL}$ ,  $V_{IH}$  and  $I_{IN}$  parameters are referenced to COM and are applicable to the respective input pins: HIN and LIN. The  $V_O$  and  $I_O$  parameters are referenced to COM/ $V_S$  and are applicable to the respective output leads HO or LO. The  $V_{CCUV}$  parameters are referenced to COM. The  $V_{BSUV}$  parameters are referenced to  $V_S$ .

Parameter	Symbol	Values			Unit	Note or test condition
		Min.	Typ.	Max.		
Bootstrap diode resistance	$R_{BSD}$	20	36	55	$\Omega$	$V_{F1} = 4\text{ V}$ , $V_{F2} = 5\text{ V}$

## 5.2 Dynamic electrical characteristics

**Table 5 Dynamic electrical characteristics**

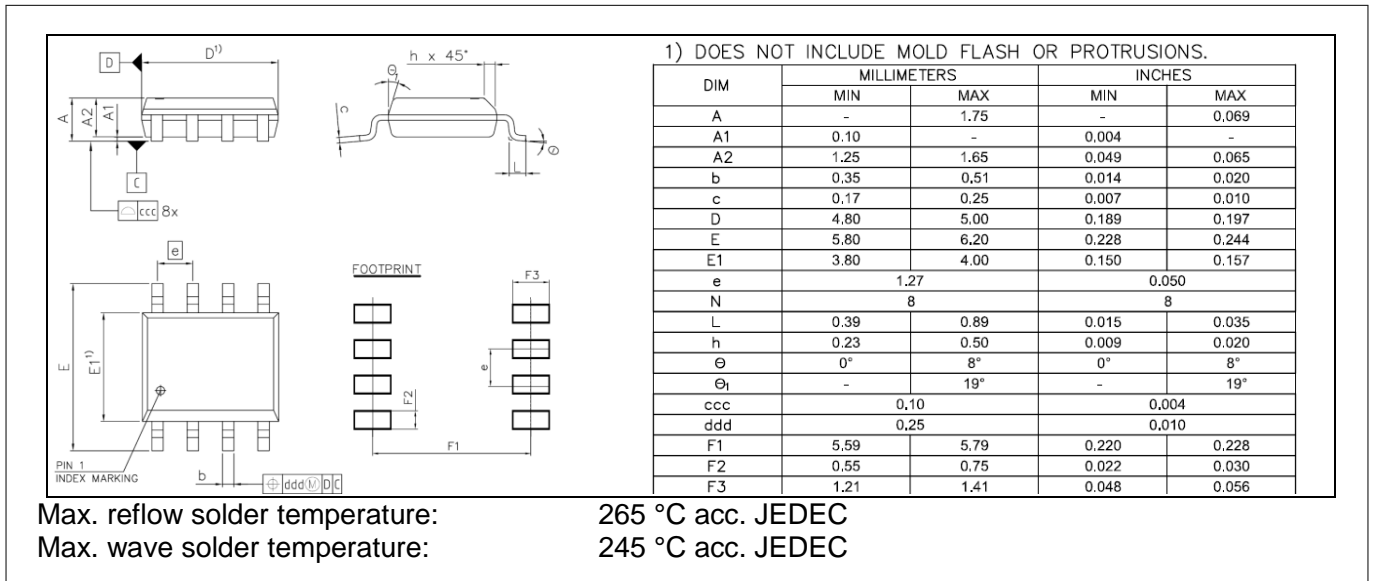
$V_{CC} = V_{BS} = 15\text{ V}$ ,  $V_{SS} = COM$ ,  $T_A = 25\text{ °C}$  and  $CL = 1000\text{ pF}$  unless otherwise specified.

Parameter	Symbol	Values			Unit	Note or test condition
		Min.	Typ.	Max.		
Turn-on propagation delay	$t_{on}$	210	310	460	ns	$V_{LIN/HIN} = 0\text{ or }3.3\text{ V}$
Turn-off propagation delay	$t_{off}$	200	300	440	ns	$V_{LIN/HIN} = 0\text{ or }3.3\text{ V}$
Turn-on rise time	$t_r$	–	48	80	ns	$V_{LIN/HIN} = 0\text{ or }3.3\text{ V}$ $C_L = 1\text{ nF}$
Turn-off fall time	$t_f$	–	24	40	ns	$V_{LIN/HIN} = 0\text{ or }3.3\text{ V}$ $C_L = 1\text{ nF}$
Input filter time	$t_{FILIN}$	100	150	250	ns	$V_{LIN/HIN} = 0\text{ \& }3.3\text{ V}$
Delay matching time (HS & LS turn-on/off)	MT	–	10	60	ns	ext. dead time > 500 ns
Dead time	DT	30	75	140	ns	$V_{LIN/HIN} = 0\text{ \& }3.3\text{ V}$
Dead time matching time	MDT	–	10	50	ns	ext. dead time 0 ns

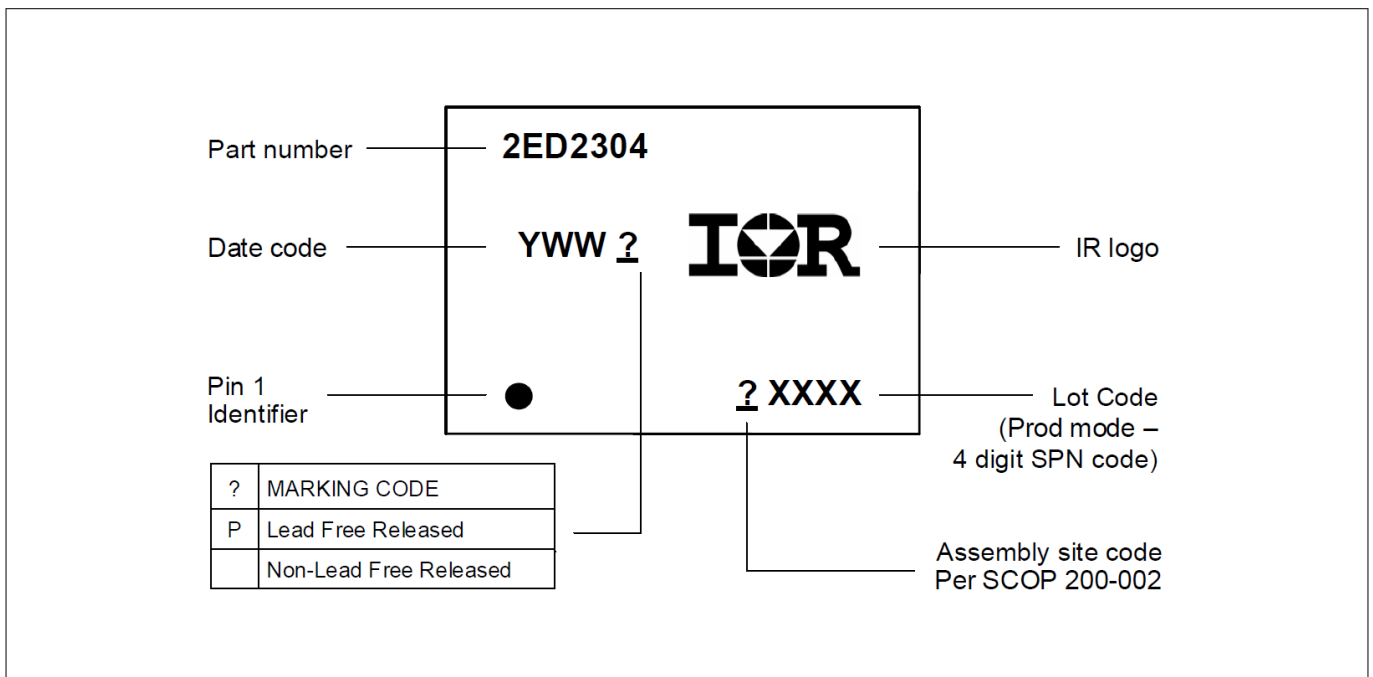


Package information DSO-8

**6 Package information DSO-8**

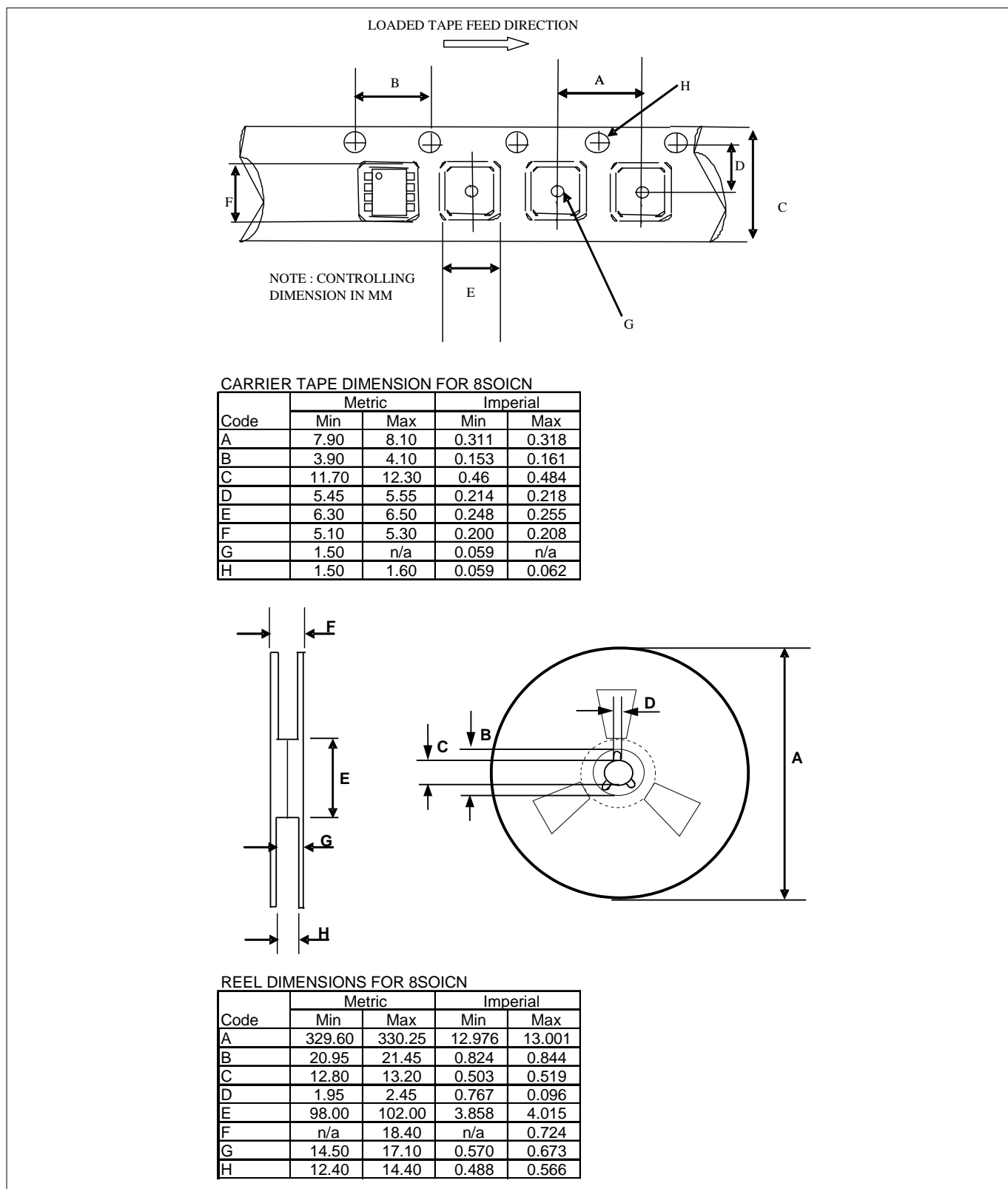


**Figure 4 Package outline PG-DSO-8**



**Figure 5 Marking information PG-DSO-8 (2ED2304S06F)**

**Package information DSO-8**



**Figure 6 Tape and reel details PG-DSO-8**

Qualification information

## 7 Qualification information

**Table 6** Qualification information <sup>1)</sup>

<b>Qualification Level</b>		Industrial <sup>2)</sup>	
		<i>Note: This family of ICs has passed JEDEC's Industrial qualification. Consumer qualification level is granted by extension of the higher Industrial level.</i>	
<b>Moisture Sensitivity Level</b>		DSO-8	MSL2 <sup>3)</sup> , 250 °C (per IPC/JEDEC J-STD-020)
<b>ESD</b>	Human Body Model	Class 1C (>1.5 kV) (per JEDEC standard JESD22-A114)	
	Charged Device Model	Class C3 (> 1.0 kV) (per JESD22-C101)	
<b>IC Latch-Up Test</b>		Class II Level A (per JESD85)	
<b>RoHS Compliant</b>		Yes	

<sup>1</sup> Qualification standards can be found at Infineon's web site [www.infineon.com](http://www.infineon.com)

<sup>2</sup> Higher qualification ratings may be available should the user have such requirements. Please contact your Infineon sales representative for further information.

<sup>3</sup> Higher MSL ratings may be available for the specific package types listed here. Please contact your Infineon sales representative for further information.

**Related products**

## 8 Related products

**Table 7 Related products**

<b>Product</b>	<b>Description</b>
<b>Gate Driver ICs</b>	
6EDL04I06 / 6EDL04N06	600 V, 3 phase level shift thin-film SOI gate driver with integrated high speed, low $R_{\text{DSON}}$ bootstrap diodes with over-current protection (OCP), 240/420 mA source/sink current drive, Fault reporting, and Enable for MOSFET or IGBT switches.
2EDL23I06 / 2EDL23N06	600 V, Half-bridge thin-film SOI level shift gate driver with integrated high speed, low $R_{\text{DSON}}$ bootstrap diode, with over-current protection (OCP), 2.3/2.8 A source/sink current driver, and one pin Enable/Fault function for MOSFET or IGBT switches.
<b>Power Switches</b>	
IKD04N60R / RF	600 V TRENCHSTOP™ IGBT with integrated diode in PG-T0252-3 package
IKD06N65ET6	650 V TRENCHSTOP™ IGBT with integrated diode in DPAK
IPD65R950CFD	650 V CoolMOS CFD2 with integrated fast body diode in DPAK
IPN50R950CE	500 V CoolMOS CE Superjunction MOSFET in PG-SOT223 package
<b>iMOTION™ Controllers</b>	
IRMCK099	iMOTION™ Motor control IC for variable speed drives utilizing sensor-less Field Oriented Control (FOC) for Permanent Magnet Synchronous Motors (PMSM).
IMC101T	High performance Motor Control IC for variable speed drives based on field oriented control (FOC) of permanent magnet synchronous motors (PMSM).

---

Revision history

## Revision history

Document version	Date of release	Description of changes
1.0	2016-07-12	Preliminary datasheet
2.0	2018-02-07	First Release Version
2.1	2018-07-13	Updated the marking information
2.11	2018-09-12	Deleting typo

## Trademarks

All referenced product or service names and trademarks are the property of their respective owners.

**Edition 2018-09-12**

**Published by**  
**Infineon Technologies AG**  
**81726 Munich, Germany**

**© 2018 Infineon Technologies AG**  
**All Rights Reserved.**

**Do you have a question about any**  
**aspect of this document?**  
**Email: [erratum@infineon.com](mailto:erratum@infineon.com)**

**Document reference**  
**IFX-efg1520839105842**

## IMPORTANT NOTICE

The information given in this document shall in no event be regarded as a guarantee of conditions or characteristics ("Beschaffheitsgarantie").

With respect to any examples, hints or any typical values stated herein and/or any information regarding the application of the product, Infineon Technologies hereby disclaims any and all warranties and liabilities of any kind, including without limitation warranties of non-infringement of intellectual property rights of any third party.

In addition, any information given in this document is subject to customer's compliance with its obligations stated in this document and any applicable legal requirements, norms and standards concerning customer's products and any use of the product of Infineon Technologies in customer's applications.

The data contained in this document is exclusively intended for technically trained staff. It is the responsibility of customer's technical departments to evaluate the suitability of the product for the intended application and the completeness of the product information given in this document with respect to such application.

## WARNINGS

Due to technical requirements products may contain dangerous substances. For information on the types in question please contact your nearest Infineon Technologies office.

Except as otherwise explicitly approved by Infineon Technologies in a written document signed by authorized representatives of Infineon Technologies, Infineon Technologies' products may not be used in any applications where a failure of the product or any consequences of the use thereof can reasonably be expected to result in personal injury