

**4-Channel 2:1 Mux/DeMux, Enable Low 1.8V/2.5V/3.3V, High-Bandwidth, Hot Plug**

**Features**

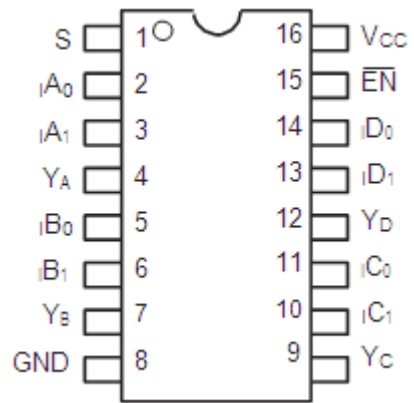
- ➔ Near-Zero Propagation Delay
- ➔ 5Ω Switches Connect Inputs to Outputs
- ➔ High Signal Passing Bandwidth (500MHz)
- ➔ Beyond Rail-to-Rail Switching
  - 0 to 5V Switching with 3.3V Power Supply
  - 0 to 3.3V Switching with 2.5V Power Supply
- ➔ 5V I/O Tolerant with Supply in OFF and ON State
- ➔ 1.8V, 2.5V, and 3.3V Supply Voltage Operation
- ➔ Hot Insertion Capable
- ➔ Industrial Operating Temperature: -40°C to +85°C
- ➔ 8kV ESD Protection (Human Body Model)
- ➔ Latch-up Performance: >200mA per JESD17
- ➔ Totally Lead-Free & Fully RoHS Compliant (Notes 1 & 2)
- ➔ Halogen and Antimony Free. "Green" Device (Note 3)
- ➔ Packaging (Pb-free & Green available):
  - 16-pin 173-mil Wide Plastic TSSOP (L)
  - 16-pin 150-mil Wide Plastic QSOP (Q)
  - 16-pin UQFN3x3-16(ZHD)

**Description**

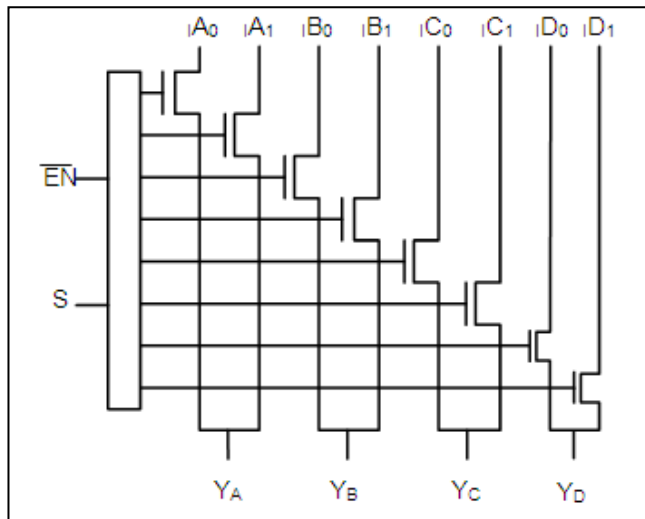
The PI3CH480 is a 4-channel, 2:1 Multiplexer/De-multiplexer with tri-state outputs. The switch introduces no additional ground bounce noise or propagation delay.

The PI3CH480 device is very useful in switching signals that have high bandwidth (500 MHz).

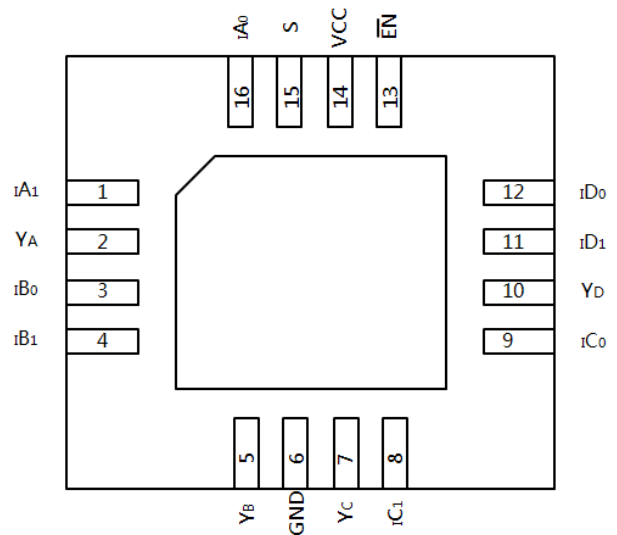
**Pin Configuration**



**Block Diagram**



TSSOP/QSOP Top View



UQFN3x3-16 Top View

**Truth Table**

$\overline{EN}$	S	YA	YB	YC	YD	Function
H	X	Hi-Z	Hi-Z	Hi-Z	Hi-Z	Disable
L	L	IA0	IB0	IC0	ID0	S=0
L	H	IA1	IB1	IC1	ID1	S=1

Note: H=High Voltage Level; L=Low Voltage Level

Notes:  
 1. No purposely added lead. Fully EU Directive 2002/95/EC (RoHS), 2011/65/EU (RoHS 2) & 2015/863/EU (RoHS 3) compliant.  
 2. See <https://www.diodes.com/quality/lead-free/> for more information about Diodes Incorporated's definitions of Halogen- and Antimony-free, "Green" and Lead-free.  
 3. Halogen- and Antimony-free "Green" products are defined as those which contain <900ppm bromine, <900ppm chlorine (<1500ppm total Br + Cl) and <1000ppm antimony compounds.

## Pin Description

Pin No of TSSOP QSOP	Pin No of UQFN3x3-16	Pin Name	Description
1	15	S	Select Inputs
2, 3, 5, 6, 11, 10, 14, 13	16, 1, 3, 4, 9, 8, 12, 11	$I_{A0}, I_{A1}, I_{B0}, I_{B1}, I_{C0}, I_{C1}, I_{D0}, I_{D1}$	Data Inputs
4, 7, 9, 12	2, 5, 7, 10	$Y_A, Y_B, Y_C, Y_D$	Data Outputs
8	6	GND	Ground
15	13	$\overline{\text{EN}}$	Enable
16	14	$V_{CC}$	Power
—	Center Pad	GND	—

## Maximum Ratings

Storage Temperature.....	-65°C to +150°C
Ambient Temperature with Power Applied.....	-40°C to +85°C
Supply Voltage to Ground Potential.....	-0.5V to +4.6V
DC Input Voltage.....	-0.5V to +6.0V
DC Output Current.....	120mA
Power Dissipation.....	0.5W

### Note:

Stresses greater than those listed under MAXIMUM RATINGS may cause permanent damage to the device. This is a stress rating only and functional operation of the device at these or any other conditions above those indicated in the operational sections of this specification is not implied. Exposure to absolute maximum rating conditions for extended periods may affect reliability.

## DC Electrical Characteristics

3.3V Supply (Over Operating Range,  $T_A = -40^\circ\text{C} \sim +85^\circ\text{C}$ ,  $V_{CC} = 3.3\text{V} \pm 10\%$ , unless otherwise noted)

Symbol	Description	Test Conditions <sup>(1)</sup>	Min	Typ <sup>(2)</sup>	Max	Unit
$V_{IH}$	Control Input HIGH Voltage	Guaranteed Logic HIGH Level	2.0	—	—	V
$V_{IL}$	Control Input LOW Voltage	Guaranteed Logic LOW Level	-0.5	—	0.8	V
$V_{IK}$	Clamp Diode Voltage	$V_{CC} = \text{Min.}, I_{IN} = -18\text{mA}$	—	-1.3	-1.8	V
$I_{IH}$	Input HIGH Current	$V_{CC} = \text{Max.}, V_{IN} = V_{CC}$	—	—	$\pm 1$	$\mu\text{A}$
$I_{IL}$	Input Low Current	$V_{CC} = \text{Max.}, V_{IN} = \text{GND}$	—	—	$\pm 1$	$\mu\text{A}$
$I_{OZH}$	High-Impedance Current <sup>(3)</sup>	$0 \leq Y, I_n \leq V_{CC}$	—	—	$\pm 1$	$\mu\text{A}$
$R_{ON}$	Switch On-Resistance <sup>(4)</sup>	$V_{CC} = \text{Min.}, V_{IN} = 0.0\text{V}$ $I_{ON} = -48\text{mA}$ or $-64\text{mA}$	—	4	6	$\Omega$
		$V_{CC} = \text{Min.}, V_{IN} = 3.6\text{V}$ $I_{ON} = -15\text{mA}$	—	5	8	

### Notes:

- For maximum or minimum conditions, use appropriate value specified under Electrical Characteristics for the applicable device type.
- Typical values are at  $V_{CC} = 3.3\text{V}$ ,  $T_A = 25^\circ\text{C}$  ambient and maximum loading.
- Not more than one output should be shorted at one time. Duration of the test should not exceed one second.
- Measured by the voltage drop between Y and In pin at indicated current through the switch. ON resistance is determined by the lower of the voltages on the two (Y, In) pins.

**2.5V Supply (Over Operating Range,  $T_A = -40^{\circ}\text{C} \sim +85^{\circ}\text{C}$ ,  $V_{CC} = 2.5\text{V} \pm 10\%$ , unless otherwise noted)**

Symbol	Description	Test Conditions <sup>(1)</sup>	Min	Typ <sup>(2)</sup>	Max	Unit
$V_{IH}$	Control Input HIGH Voltage	Guaranteed Logic HIGH Level	1.8	—	$V_{CC}+0.3$	V
$V_{IL}$	Control Input LOW Voltage	Guaranteed Logic LOW Level	-0.3	—	0.8	V
$V_{IK}$	Clamp Diode Voltage	$V_{CC} = \text{Max.}, I_{IN} = -6\text{mA}$	—	-0.7	-1.8	V
$I_{IH}$	Input HIGH Current	$V_{CC} = \text{Max.}, V_{IN} = V_{CC}$	—	—	$\pm 1$	$\mu\text{A}$
$I_{IL}$	Input Low Current	$V_{CC} = \text{Max.}, V_{IN} = \text{GND}$	—	—	$\pm 1$	$\mu\text{A}$
$I_{OZH}$	High-Impedance Current <sup>(3)</sup>	$0 \leq Y, I_n \leq V_{CC}$	—	—	$\pm 1$	$\mu\text{A}$
$R_{ON}$	Switch On-Resistance <sup>(4)</sup>	$V_{CC} = \text{Min.}, V_{IN} = 0.0\text{V}$ $I_{ON} = -48\text{mA}$	—	4	8	$\Omega$
		$V_{CC} = \text{Min.}, V_{IN} = 2.25\text{V}$ $I_{ON} = -15\text{mA}$	—	7	14	

Notes:

- For maximum or minimum conditions, use appropriate value specified under Electrical Characteristics for the applicable device type.
- Typical values are at  $V_{CC} = 2.5\text{V}$ ,  $T_A = 25^{\circ}\text{C}$  ambient and maximum loading.
- Not more than one output should be shorted at one time. Duration of the test should not exceed one second.
- Measured by the voltage drop between Y and In pin at indicated current through the switch. ON resistance is determined by the lower of the voltages on the two (Y, In) pins.

**1.8V Supply (Over Operating Range,  $T_A = -40^{\circ}\text{C} \sim +85^{\circ}\text{C}$ ,  $V_{CC} = 1.8\text{V} \pm 10\%$ , unless otherwise noted)**

Symbol	Description	Test Conditions <sup>(1)</sup>	Min	Typ <sup>(2)</sup>	Max	Unit
$V_{IH}$	Control Input HIGH Voltage	Guaranteed Logic HIGH Level	1.2	—	$V_{CC}+0.3$	V
$V_{IL}$	Control Input LOW Voltage	Guaranteed Logic LOW Level	-0.3	—	0.6	V
$V_{IK}$	Clamp Diode Voltage	$V_{CC} = \text{Max.}, I_{IN} = -18\text{mA}$	—	-0.7	-1.8	V
$I_{IH}$	Input HIGH Current	$V_{CC} = \text{Max.}, V_{IN} = V_{CC}$	—	—	$\pm 1$	$\mu\text{A}$
$I_{IL}$	Input Low Current	$V_{CC} = \text{Max.}, V_{IN} = \text{GND}$	—	—	$\pm 1$	$\mu\text{A}$
$I_{OZH}$	High-Impedance Current <sup>(3)</sup>	$0 \leq Y, I_n \leq V_{CC}$	—	—	$\pm 1$	$\mu\text{A}$
$R_{ON}$	Switch On-Resistance <sup>(4)</sup>	$V_{CC} = \text{Min.}, V_{IN} = 0.0\text{V}$ $I_{ON} = -48\text{mA}$	—	4	8	$\Omega$
		$V_{CC} = \text{Min.}, V_{IN} = 1.6\text{V}$ $I_{ON} = -15\text{mA}$	—	10	25	

Notes:

- For maximum or minimum conditions, use appropriate value specified under Electrical Characteristics for the applicable device type.
- Typical values are at  $V_{CC} = 1.8\text{V}$ ,  $T_A = 25^{\circ}\text{C}$  ambient and maximum loading.
- Not more than one output should be shorted at one time. Duration of the test should not exceed one second.
- Measured by the voltage drop between Y and In pin at indicated current through the switch. ON resistance is determined by the lower of the voltages on the two (Y, In) pins.

**Capacitance ( $T_A = 25^{\circ}\text{C}$ ,  $f = 1\text{MHz}$ )**

Symbol <sup>(1)</sup>	Description	Test Conditions	Typ.	Max.	Unit
$C_{IN}$	Input Capacitance	$V_{IN} = 0\text{V}$	1.6	2.5	pF
$C_{OFF(IN)}$	In Capacitance, Switch Off		3.2	4.5	
$C_{OFF(Y)}$	Y Capacitance, Switch Off		4.9	6.5	
$C_{ON}$	Y/In Capacitance, Switch On		8.4	10	

Note:

- These parameters are determined by device characterization but are not production tested

## Power Supply Characteristics

Symbol	Description	Test Conditions <sup>(1)</sup>	Min	Typ	Max	Unit
I <sub>CC</sub>	Quiescent Power Supply Current	V <sub>CC</sub> = 3.6V, V <sub>IN</sub> = GND or V <sub>CC</sub>	—	0.2	0.5	mA
		V <sub>CC</sub> = 2.5V, V <sub>IN</sub> = GND or V <sub>CC</sub>	—	0.25	0.6	mA
		V <sub>CC</sub> = 1.8V, V <sub>IN</sub> = GND or V <sub>CC</sub>	—	0.8	1.5	mA

Note:

- For maximum or minimum conditions, use appropriate value specified under Electrical Characteristics for the applicable device.

## Dynamic Electrical Characteristics

(Over Operating Range, T<sub>A</sub> = -40°C ~ +85°C, V<sub>CC</sub> = 3.3V ± 10%)

Symbol	Description	Test Conditions	Min	Typ	Max	Unit
X <sub>TALK</sub>	Crosstalk	See Test Diagram	—	-60	—	dB
O <sub>IRR</sub>	Off-Isolation	See Test Diagram	—	-60	—	
BW	-3dB Bandwidth	See Test Diagram	200	500	—	MHz

## Switch Characteristics

Over 3.3V Operating Range

Symbol	Description	Test Conditions <sup>(1)</sup>	Min	Typ	Max	Unit
t <sub>PLH</sub> , t <sub>PHL</sub>	Propagation Delay <sup>(2,3)</sup> Y to In, In to Y	See Test Diagram	—	—	0.3	ns
t <sub>PZH</sub> , t <sub>PZL</sub>	Enable Time S or $\overline{EN}$ to Y or In	See Test Diagram	1.5	—	9.0	
t <sub>PHZ</sub> , t <sub>PLZ</sub>	Disable Time S or $\overline{EN}$ to Y or In	See Test Diagram	1.5	—	9.0	

Note:

- See test circuit and waveforms.
- This parameter is guaranteed but not tested on propagation delays.
- The switch contributes no propagation delay other than the RC delay of the on-resistance of the switch and the load capacitance. The time constant for the switch alone is of the order of 0.30ns for 10pF load. Because this time constant is much smaller than the rise/fall times of typical driving signals, it adds very little propagation delay to the system. Propagation delay of the switch when used in a system is determined by the driving circuit on the driving side of the switch and its interaction with the load on the driven side.

Over 2.5V Operating Range

Symbol	Description	Test Conditions <sup>(1)</sup>	Min	Typ	Max	Unit
t <sub>PLH</sub> , t <sub>PHL</sub>	Propagation Delay <sup>(2,3)</sup> Y to In, In to Y	See Test Diagram	—	—	0.3	ns
t <sub>PZH</sub> , t <sub>PZL</sub>	Enable Time S or $\overline{EN}$ to Y or In	See Test Diagram	1.5	—	15.0	
t <sub>PHZ</sub> , t <sub>PLZ</sub>	Disable Time S or $\overline{EN}$ to Y or In	See Test Diagram	1.5	—	12.0	

Note:

- See test circuit and waveforms.
- This parameter is guaranteed but not tested on propagation delays.
- The switch contributes no propagation delay other than the RC delay of the on-resistance of the switch and the load capacitance. The time constant for the switch alone is of the order of 0.30ns for 10pF load. Because this time constant is much smaller than the rise/fall times of typical driving signals, it adds very little propagation delay to the system. Propagation delay of the switch when used in a system is determined by the driving circuit on the driving side of the switch and its interaction with the load on the driven side.

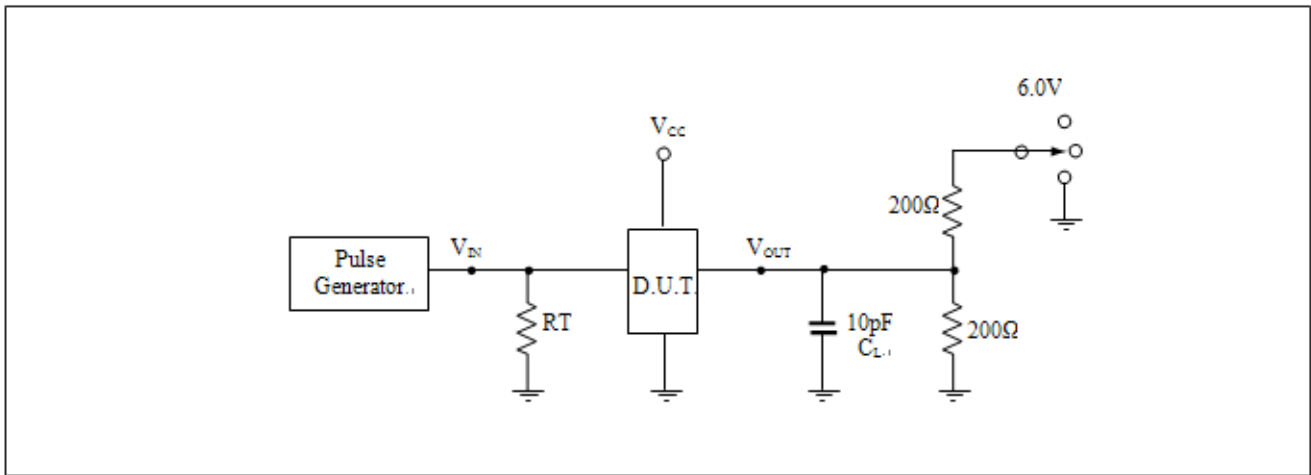
Over 1.8V Operating Range

Symbol	Description	Test Conditions <sup>(1)</sup>	Min	Typ	Max	Unit
$t_{PLH}, t_{PHL}$	Propagation Delay <sup>(2, 3)</sup> Y to In, In to Y	See Test Diagram	—	—	0.3	ns
$t_{PZH}, t_{PZL}$	Enable Time S or $\overline{EN}$ to Y or In	See Test Diagram	1.5	—	25.0	
$t_{PHZ}, t_{PLZ}$	Disable Time S or $\overline{EN}$ to Y or In	See Test Diagram	1.5	—	12.0	

Notes:

1. See test circuit and waveforms.
2. This parameter is guaranteed but not tested on propagation delays.
3. The switch contributes no propagation delay other than the RC delay of the on-resistance of the switch and the load capacitance. The time constant for the switch alone is of the order of 0.30ns for 10pF load. Because this time constant is much smaller than the rise/fall times of typical driving signals, it adds very little propagation delay to the system. Propagation delay of the switch when used in a system is determined by the driving circuit on the driving side of the switch and its interaction with the load on the driven side.

**Test Circuit for Electrical Characteristics**



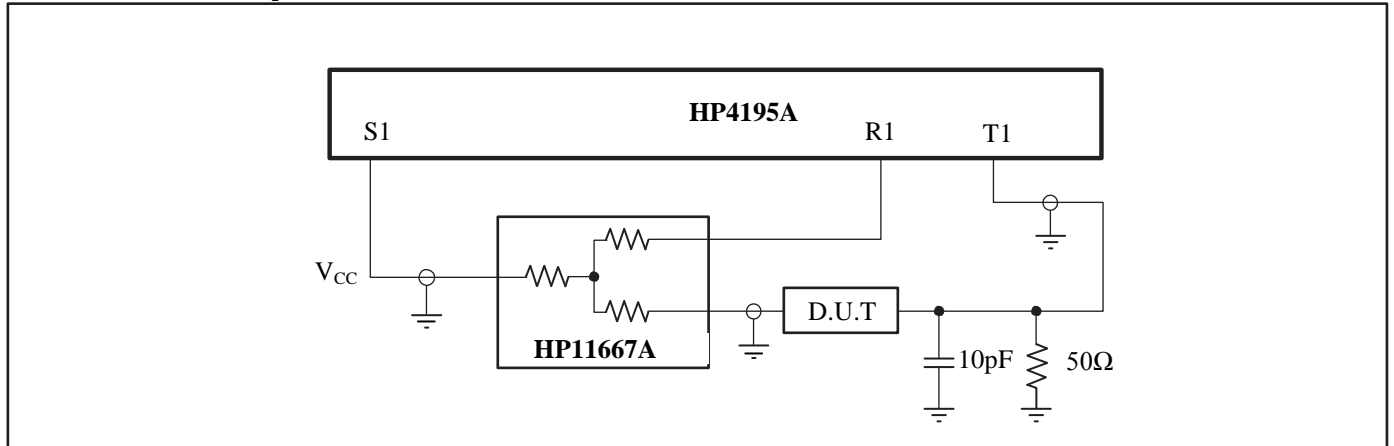
Notes:

1.  $C_L$  = Load capacitance: includes jig and probe capacitance.
2.  $R_T$  = Termination resistance: should be equal to  $Z_{OUT}$  of the pulse generator.
3. All input impulses are supplied by generators having the following characteristics:  $PRR \leq 10$  MHz,  $Z_O = 50\Omega$ ,  $t_R \leq 2.5$ ns,  $t_F \leq 2.5$ ns.
4. The outputs are measured one at a time with one transition per measurement.

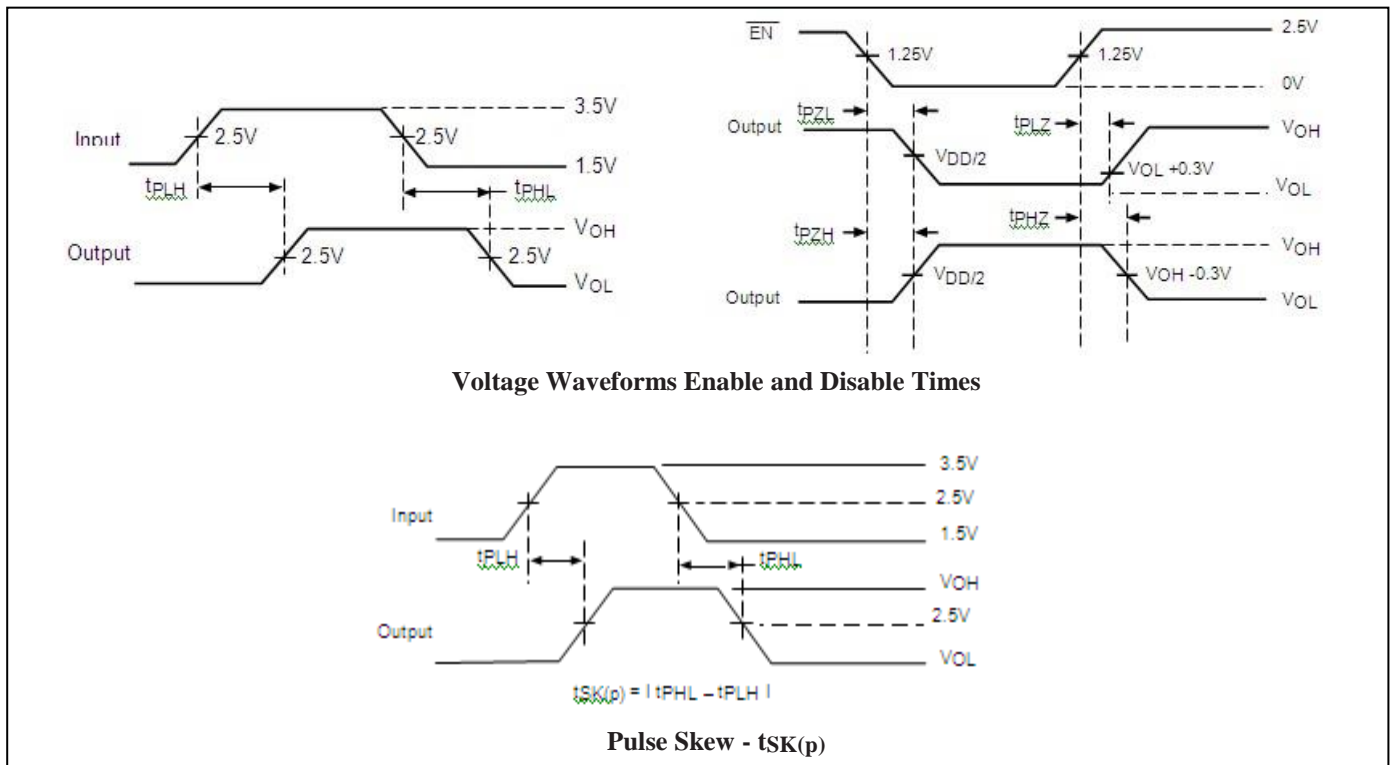
**Switch Positions**

Test	Switch
t <sub>PLZ</sub> , t <sub>PZL</sub>	6.0V
t <sub>PHZ</sub> , t <sub>PZH</sub>	GND
Prop Delay	Open

**Test Circuit for Dynamic Electrical Characteristics**



**Switching Waveforms**



## Applications Information

### Logic Inputs

The logic control inputs can be driven up to 3.6V regardless of the supply voltage. For example given a +3.3V supply,  $\overline{EN}$  may be driven LOW to 0V and HIGH to 3.6V. Driving  $\overline{EN}$  Rail-to-Rail<sup>®</sup> minimizes power consumption.

### Hot Insertion

For Datacom and Telecom applications that have ten or more volts passing through the backplane, a high voltage from the power supply can be seen at the device input pins during hot insertion. The PI3CH360 devices have maximum limits of 6V and 120mA for 20ns. If the power is higher, applied for a longer time, or repeatedly reaches the maximum limits, the devices can be damaged.

## Part Marking

### L Package



Z: Fixed Code  
Y: Year  
W: Workweek  
1st X: Assembly Site Code  
2nd X: Fab Site Code  
Bar above "l" means Fab3 of MGN  
Bar above fab code means Cu wire

### Q Package



Z: Fixed Code  
Y: Year  
W: Workweek  
1st X: Assembly Site Code  
2nd X: Fab Site Code  
Bar above fab code means Cu wire  
Bar above "l" means Fab3 of MGN

### ZHD Package

Top mark is not available at this time. To obtain advanced information regarding the top mark, please contact your local sales representative.

*Rail-to-Rail is a registered trademark of Nippon Motorola, Ltd.*

**Mechanical Information**  
**16-TSSOP (L)**

SYMBOLS	MIN.	NOM.	MAX.
A	-	-	1.20
A1	0.05	-	0.15
A2	0.80	1.00	1.05
b	0.19	-	0.30
c	0.09	-	0.20
D	4.90	5.00	5.10
E1	4.30	4.40	4.50
E	6.20	6.40	6.60
e	0.65 BSC		
L1	1.00 REF		
L	0.45	0.60	0.75
S	0.20	-	-
$\theta$	0°	-	8°

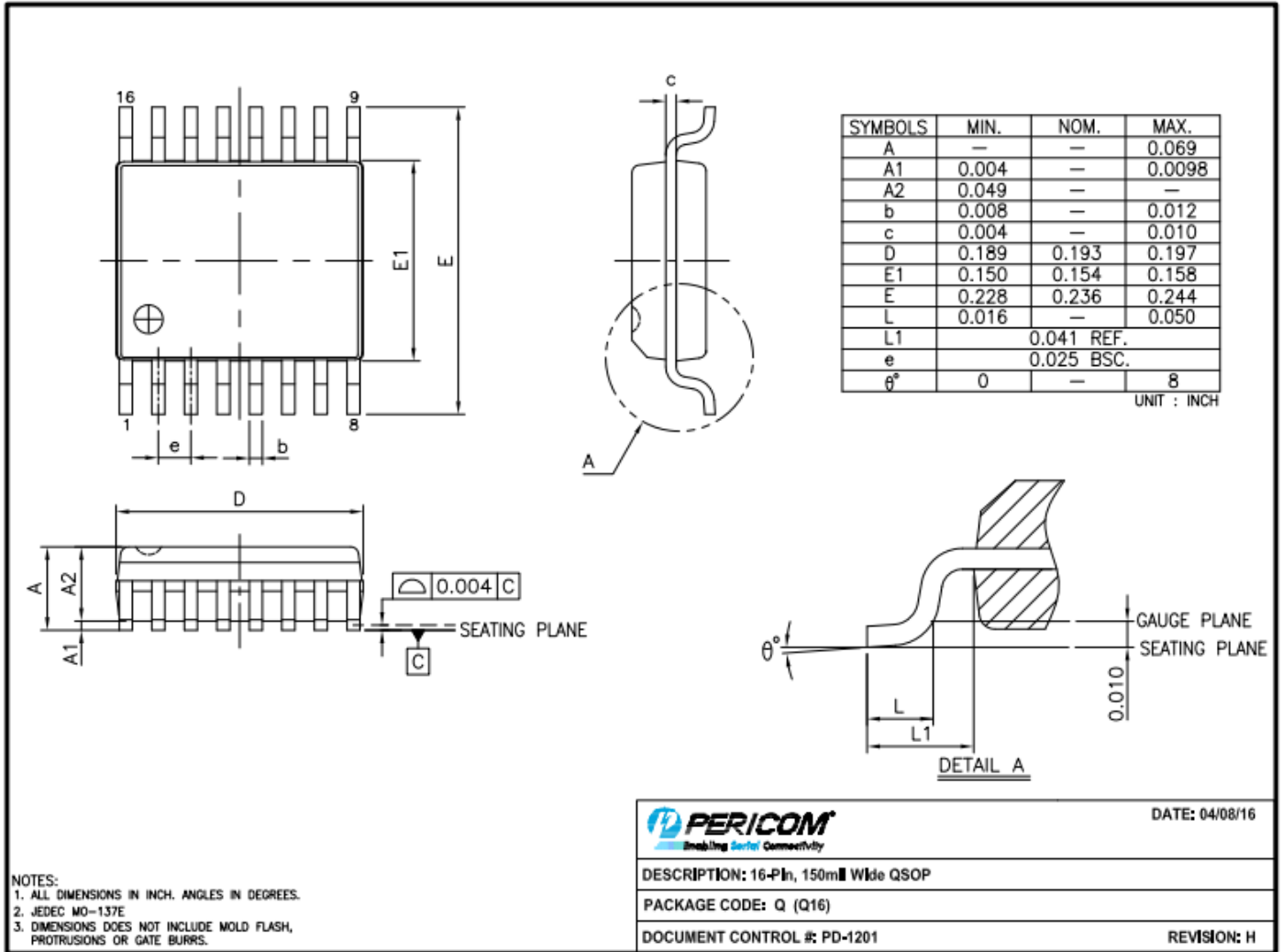
**NOTES:**  
 1. ALL DIMENSIONS IN MILLIMETERS. ANGLES IN DEGREES.  
 2. JEDEC MO-153F  
 3. DIMENSIONS DOES NOT INCLUDE MOLD FLASH, PROTRUSIONS OR GATE BURRS.

		DATE: 03/24/16
DESCRIPTION: 16-Pin, 173mm Wide TSSOP		
PACKAGE CODE: L (L16)		
DOCUMENT CONTROL #: PD-1310	REVISION: G	

16-0061

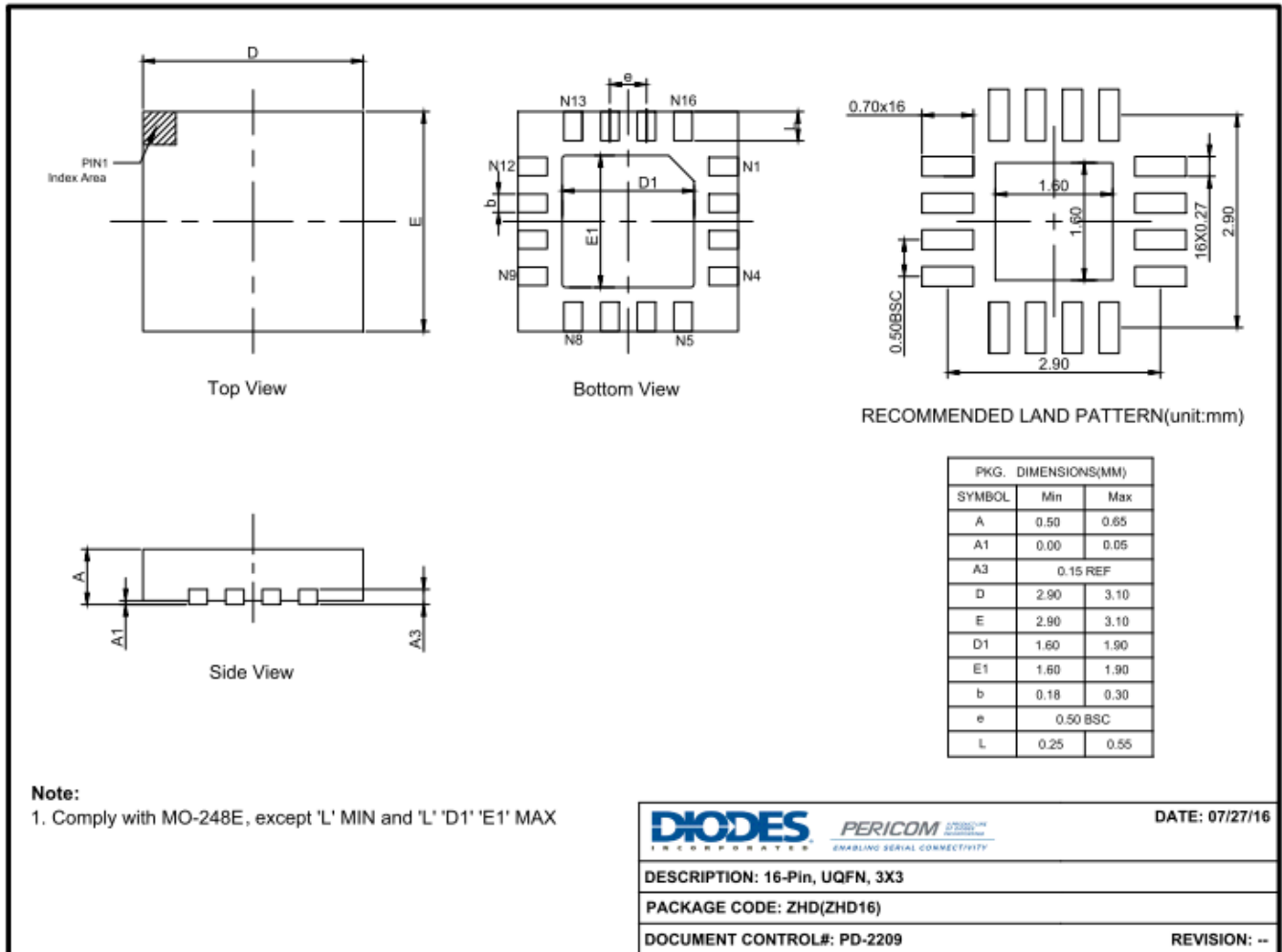


16- QSOP (Q)



16-0058

16-UQFN (ZHD)



16-0092

**For latest package information:**

Please see <http://www.diodes.com/design/support/packaging/pericom-packaging/packaging-mechanicals-and-thermal-characteristics/>.

**Ordering Information**

Part Numbers	Package Code	Package Description
PI3CH480LEX	L	16-Pin, 173mil Wide (TSSOP)
PI3CH480QEX	Q	16-Pin, 150mil Wide (QSOP)
PI3CH480ZHDEX	ZHD	16-Pin, 3x3 (UQFN)

- Notes:
1. No purposely added lead. Fully EU Directive 2002/95/EC (RoHS), 2011/65/EU (RoHS 2) & 2015/863/EU (RoHS 3) compliant.
  2. See <https://www.diodes.com/quality/lead-free/> for more information about Diodes Incorporated's definitions of Halogen- and Antimony-free, "Green" and Lead free.
  3. Halogen- and Antimony-free "Green" products are defined as those which contain <900ppm bromine, <900ppm chlorine (<1500ppm total Br + Cl) and <1000ppm antimony compounds.
  4. E = Pb-free and Green
  5. X suffix = Tape/Reel

**IMPORTANT NOTICE**

DIODES INCORPORATED MAKES NO WARRANTY OF ANY KIND, EXPRESS OR IMPLIED, WITH REGARDS TO THIS DOCUMENT, INCLUDING, BUT NOT LIMITED TO, THE IMPLIED WARRANTIES OF MERCHANTABILITY AND FITNESS FOR A PARTICULAR PURPOSE (AND THEIR EQUIVALENTS UNDER THE LAWS OF ANY JURISDICTION).

Diodes Incorporated and its subsidiaries reserve the right to make modifications, enhancements, improvements, corrections or other changes without further notice to this document and any product described herein. Diodes Incorporated does not assume any liability arising out of the application or use of this document or any product described herein; neither does Diodes Incorporated convey any license under its patent or trademark rights, nor the rights of others. Any Customer or user of this document or products described herein in such applications shall assume all risks of such use and will agree to hold Diodes Incorporated and all the companies whose products are represented on Diodes Incorporated website, harmless against all damages.

Diodes Incorporated does not warrant or accept any liability whatsoever in respect of any products purchased through unauthorized sales channel.

Should Customers purchase or use Diodes Incorporated products for any unintended or unauthorized application, Customers shall indemnify and hold Diodes Incorporated and its representatives harmless against all claims, damages, expenses, and attorney fees arising out of, directly or indirectly, any claim of personal injury or death associated with such unintended or unauthorized application.

Products described herein may be covered by one or more United States, international or foreign patents pending. Product names and markings noted herein may also be covered by one or more United States, international or foreign trademarks.

This document is written in English but may be translated into multiple languages for reference. Only the English version of this document is the final and determinative format released by Diodes Incorporated.

**LIFE SUPPORT**

Diodes Incorporated products are specifically not authorized for use as critical components in life support devices or systems without the express written approval of the Chief Executive Officer of Diodes Incorporated. As used herein:

A. Life support devices or systems are devices or systems which:

1. are intended to implant into the body, or
2. support or sustain life and whose failure to perform when properly used in accordance with instructions for use provided in the labeling can be reasonably expected to result in significant injury to the user.

B. A critical component is any component in a life support device or system whose failure to perform can be reasonably expected to cause the failure of the life support device or to affect its safety or effectiveness.

Customers represent that they have all necessary expertise in the safety and regulatory ramifications of their life support devices or systems, and acknowledge and agree that they are solely responsible for all legal, regulatory and safety-related requirements concerning their products and any use of Diodes Incorporated products in such safety-critical, life support devices or systems, notwithstanding any devices- or systems-related information or support that may be provided by Diodes Incorporated. Further, Customers must fully indemnify Diodes Incorporated and its representatives against any damages arising out of the use of Diodes Incorporated products in such safety-critical, life support devices or systems.

Copyright © 2018, Diodes Incorporated  
[www.diodes.com](http://www.diodes.com)