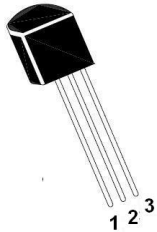


THREE TERMINAL POSITIVE VOLTAGE REGULATOR



1. OUT
2. GND
3. IN

LM78L09
TO-92
Plastic Package

Features

Maximum Output Current $I_{OM} = 0.1A$

Output Voltage $V_o = 9V$

Continuous total dissipation $P_D = 0.625W$

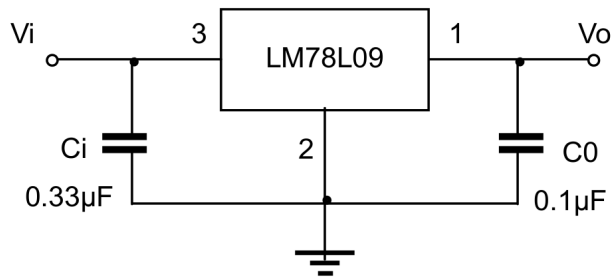
MAXIMUM RATINGS (Operating temperature range applies unless otherwise specified)

PARAMETERS	SYMBOL	VALUE	UNIT
Input Voltage	V_I	30	V
Operating Junction Temperature Range	T_{OPR}	0 to 125	°C
Storage Temperature Range	T_{STG}	-55 to 150	°C

ELECTRICAL CHARACTERISTICS ($V_i = 16V$, $I_o = 40mA$, $C_i = 0.33\mu F$, $C_o = 0.1\mu F$, unless otherwise specified)

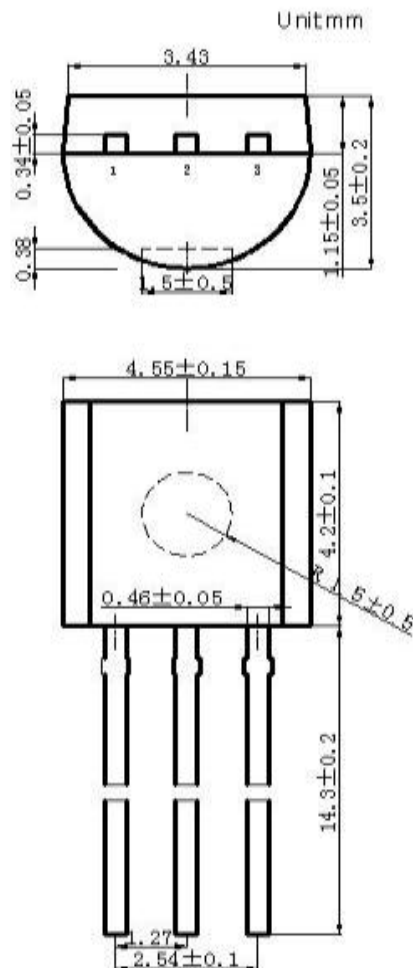
PARAMETER	SYMBOL	TEST CONDITION		MIN.	TYP.	MAX.	UNIT
Output voltage	V_o		25°C	8.64	9.0	9.36	V
		$12 \leq V_i \leq 24V$, $I_o = 1mA-40mA$	0-125°C	8.55	9.0	9.45	V
		$I_o = 1mA-70mA$		8.55	9.0	9.45	V
Load Regulation	ΔV_o	$I_o = 1mA-100mA$	25°C	-	19	90	mV
		$I_o = 1mA-40mA$	25°C	-	11	40	mV
Line Regulation	ΔV_o	$12V \leq V_i \leq 24V$	25°C	-	45	175	mV
		$13V \leq V_i \leq 24V$	25°C	-	40	125	mV
Quiescent Current	I_q		25°C	-	4.1	6.0	mA
Quiescent Current Change	ΔI_q	$13V \leq V_i \leq 24V$	0-125°C	-	-	1.5	mA
	ΔI_q	$1mA \leq I_o \leq 40mA$	0-125°C	-	-	0.1	mA
Output Noise Voltage	V_N	$10Hz \leq f \leq 100kHz$	25°C	-	58	-	μV
Ripple Rejection	RR	$15V \leq V_i \leq 25V$, $f = 120Hz$	0-125°C	-	45	-	dB
Dropout Voltage	V_d		25°C	-	1.7	-	V

TYPICAL APPLICATION



Note: Bypass capacitors are recommended for optimum stability and transient response and should be located as close as possible to the regulators.

TO-92 PACKAGE OUTLINE AND DIMENSIONS



- 1. OUT
- 2. GND
- 3. IN

Customer Notes:



Continental Device India Pvt. Limited
An ISO/TS 16949, ISO 9001 and ISO 14001 Certified Company



Component Disposal Instructions

1. CDIL Semiconductor Devices are RoHS compliant, customers are requested to please dispose as per prevailing Environmental Legislation of their Country.
2. In Europe, please dispose as per EU Directive 2002/96/EC on Waste Electrical and Electronic Equipment (WEEE).

DISCLAIMER

The product information and the selection guides facilitate selection of the CDIL's Semiconductor Device(s) best suited for application in your product(s) as per your requirement. It is recommended that you completely review our Data Sheet(s) so as to confirm that the Device(s) meet functionality parameters for your application. The information furnished in the Data Sheet and on the CDIL Web Site/CD is believed to be accurate and reliable. CDIL however, does not assume responsibility for inaccuracies or incomplete information. Furthermore, CDIL does not assume liability whatsoever, arising out of the application or use of any CDIL product; neither does it convey any license under its patent rights nor rights of others. These products are not designed for use in life saving/support appliances or systems. CDIL customers selling these products (either as individual Semiconductor Devices or incorporated in their end products), in any life saving/support appliances or systems or applications do so at their own risk and CDIL will not be responsible for any damages resulting from such sale(s).



CDIL is a registered Trademark of
Continental Device India Pvt. Limited
C-120 Naraina Industrial Area, New Delhi 110 028, India.
Telephone + 91-11-2579 6150, 4141 1112 Fax + 91-11-2579 5290, 4141 1119
email@cdil.com www.cdil.com
CIN No. U32109DL1964PTC004291