

## FEATURES

- **High Efficiency 500mA Buck Plus 300mA VLDO Regulator**  
Auto Start-Up Powers VLDO/Linear Regulator Output Prior to Buck Output
- **Independent 500mA High Efficiency Buck**  
( $V_{IN}$ : 2.7V to 5.5V)
- **300mA VLDO Regulator with 30mA Standalone Mode**
- **No External Schottky Diodes Required**
- **Fixed Buck Output Voltage: 1.8V**
- **VLDO Input Voltage Range (LV<sub>IN</sub>: 1.675V to 5.5V)**
- **Fixed VLDO Output Voltage: 1.575V**
- Selectable Fixed Frequency, Pulse-Skip Operation or Burst Mode<sup>®</sup> Operation
- Short-Circuit Protected
- Current Mode Operation for Excellent Line and Load Transient Response
- Shutdown Current: <3 $\mu$ A
- Constant Frequency Operation: 2.25MHz
- Low Dropout Buck Operation: 100% Duty Cycle
- Small, Thermally Enhanced, 10-Lead (3mm  $\times$  3mm) DFN Package

## APPLICATIONS

- Digital Cameras
- Cellular Phones
- PC Cards
- Wireless and DSL Modems
- Other Portable Power Systems

## DESCRIPTION

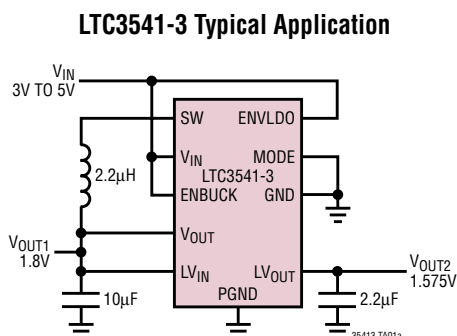
The LTC<sup>®</sup>3541-3 combines a synchronous buck DC/DC converter with a very low dropout linear regulator (VLDO<sup>™</sup> regulator) and internal feedback resistor networks to provide two output voltages from a single input voltage with minimum external components. When configured for dual output operation, the LTC3541-3's auto start-up feature will bring the 1.575V VLDO/linear regulator output into regulation in a controlled manner prior to enabling the 1.8V buck output without the need for external pin control. The 300mA VLDO/linear regulator output will source only 30mA until the buck output achieves regulation. The input voltage range is ideally suited for applications powered from a Li-Ion battery and 5V or 3.3V rails.

The synchronous buck converter provides a high efficiency output, typically 90%. It can provide up to 500mA of output current while switching at 2.25MHz, allowing the use of small surface mount inductors and capacitors. A mode select pin allows Burst Mode operation to be enabled for higher efficiency at light load currents, or disabled for lower noise, constant frequency operation.

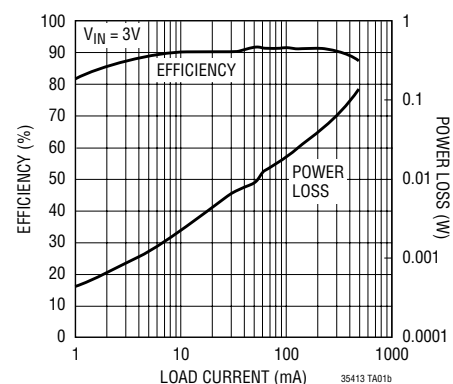
The VLDO regulator provides a low noise, low voltage output capable of providing up to 300mA of output current using only a 2.2 $\mu$ F ceramic capacitor. The input supply voltage of the VLDO regulator (LV<sub>IN</sub>) may come from the buck regulator or a separate supply.

LT, LT, LTC, LTM and Burst Mode are registered trademarks of Linear Technology Corporation. VLDO is a trademark of Linear Technology Corporation. All other trademarks are the property of their respective owners. Protected by U.S. Patents, including 5481178, 6611131, 6304066, 6498466, 6580258.

## TYPICAL APPLICATION



### Buck (Burst) Efficiency vs Load Current



## ABSOLUTE MAXIMUM RATINGS

(Note 1)

Supply Voltages:

$V_{IN}$ ,  $LV_{IN}$  ..... -0.3V to 6V

$LV_{IN} - V_{IN}$  ..... <0.3V

Pin Voltages:

ENVLDO, ENBUCK, MODE, SW ..... -0.3V to  $V_{IN} + 0.3V$

Linear Regulator  $I_{OUT(MAX)}$  (100ms) (Note 9) ..... 100mA

Operating Ambient Temperature Range

(Note 2)..... -40°C to 85°C

Junction Temperature (Notes 5, 10)..... 125°C

Storage Temperature Range..... -65°C to 125°C

## PACKAGE/ORDER INFORMATION

TOP VIEW

DD PACKAGE  
10-LEAD (3mm × 3mm) PLASTIC DFN  
 $T_{JMAX} = 125^{\circ}C$ ,  $\theta_{JA} = 43^{\circ}C/W$   
EXPOSED PAD (PIN 11) IS PGND, MUST BE SOLDERED TO PCB

ORDER PART NUMBER	DD PART MARKING
LTC3541EDD-3	LCHR

**Order Options** Tape and Reel: Add #TR  
Lead Free: Add #PBF Lead Free Tape and Reel: Add #TRPBF  
Lead Free Part Marking: <http://www.linear.com/leadfree/>

Consult LTC Marketing for parts specified with wider operating temperature ranges.

## ELECTRICAL CHARACTERISTICS

The ● denotes the specifications which apply over the full operating temperature range, otherwise specifications are at  $T_A = 25^{\circ}C$ .  $V_{IN} = 3.6V$  unless otherwise specified (Notes 2, 3).

SYMBOL	PARAMETER	CONDITIONS	MIN	TYP	MAX	UNITS
$I_{PK}$	Peak Inductor Current	$V_{IN} = 4.2V$ (Note 8)	0.8	0.95	1.25	A
$V_{IN}$	Input Voltage Range	(Note 4)	● 2.7		5.5	V
$V_{IN(LINEREG)}$	Buck $V_{IN}$ Line Regulation	$V_{IN} = 2.7V$ to 5.5V, ENBUCK = $V_{IN}$ , ENVLDO = 0V, MODE = $V_{IN}$ (Note 6)	●	0.04	0.4	%/V
	VLDO $V_{IN}$ Line Regulation (Referred to $LV_{OUT}$ )	$V_{IN} = 3V$ to 5.5V, $LV_{OUT} = 1.575V$ , ENBUCK = $V_{IN}$ , ENVLDO = $V_{IN}$ , MODE = 0V, $I_{OUT(VLDO)} = 100mA$		2.2		mV/V
	Linear Regulator $V_{IN}$ Line Regulation (Referred to $LV_{OUT}$ )	$V_{IN} = 3V$ to 5.5V, $LV_{OUT} = 1.575V$ , ENBUCK = 0V, ENVLDO = $V_{IN}$ , $I_{OUT(LDO)} = 10mA$		2.2		mV/V
$LV_{IN(LINEREG)}$	$LV_{IN}$ Line Regulation (Referred to $LV_{OUT}$ )	$LV_{IN} = 1.675V$ to 5.5V, $V_{IN} = 5.5V$ , $LV_{OUT} = 1.575V$ , ENBUCK = $V_{IN}$ , ENVLDO = $V_{IN}$ , MODE = $V_{IN}$ , $I_{OUT(VLDO)} = 100mA$		0.8		mV/V
$VLDO_{DO}$	$LV_{IN} - LV_{OUT}$ Dropout Voltage	$LV_{OUT} = 1.575V$ , ENBUCK = $V_{IN}$ , ENVLDO = $V_{IN}$ , MODE = $V_{IN}$ , $I_{OUT(VLDO)} = 50mA$ (Note 9)		20	50	mV
$V_{LOADREG}$	Buck Output Load Regulation	ENBUCK = $V_{IN}$ , ENVLDO = 0V, MODE = $V_{IN}$ (Note 6)		0.5		%
	VLDO Output Load Regulation	$I_{OUT(VLDO)} = 1mA - 300mA$ , $LV_{IN} = 1.8V$ , $LV_{OUT} = 1.575V$ , ENBUCK = $V_{IN}$ , ENVLDO = $V_{IN}$ , MODE = $V_{IN}$	●	0.25	0.5	%
	Linear Regulator Output Load Regulation	$I_{OUT(LDO)} = 1mA - 30mA$ , $LV_{OUT} = 1.575V$ , ENBUCK = 0V, ENVLDO = $V_{IN}$	●	0.25	0.5	%
$V_{VOUT}$	Reference Regulation Voltage (Note 6)	ENBUCK = $V_{IN}$ , ENVLDO = 0V, $T_A = 25^{\circ}C$	1.764	1.8	1.836	V
		ENBUCK = $V_{IN}$ , ENVLDO = 0V, $0^{\circ}C \leq T_A \leq 85^{\circ}C$	1.760	1.8	1.840	V
		ENBUCK = $V_{IN}$ , ENVLDO = 0V, $-40^{\circ}C \leq T_A \leq 85^{\circ}C$	● 1.755	1.8	1.845	V
$V_{LVOUT}$	Reference Regulation Voltage (Note 7)	ENBUCK = 0V, ENVLDO = $V_{IN}$ , $T_A = 25^{\circ}C$	1.543	1.575	1.607	V
		ENBUCK = 0V, ENVLDO = $V_{IN}$ , $0^{\circ}C \leq T_A \leq 85^{\circ}C$	1.540	1.575	1.610	V
		ENBUCK = 0V, ENVLDO = $V_{IN}$ , $-40^{\circ}C \leq T_A \leq 85^{\circ}C$	● 1.536	1.575	1.614	V

## ELECTRICAL CHARACTERISTICS

The ● denotes the specifications which apply over the full operating temperature range, otherwise specifications are at  $T_A = 25^\circ\text{C}$ .  $V_{IN} = 3.6\text{V}$  unless otherwise specified (Notes 2, 3).

SYMBOL	PARAMETER	CONDITIONS	MIN	TYP	MAX	UNITS	
$I_S$	Buck + VLDO Burst Mode Sleep $V_{IN}$ Quiescent Current	$LV_{IN} = 1.8\text{V}$ , $LV_{OUT} = 1.575\text{V}$ , $ENBUCK = V_{IN}$ , $ENVLDO = V_{IN}$ , $MODE = 0\text{V}$ , $I_{OUT(VLDO)} = 10\mu\text{A}$ , $V_{VOUT} = 2.03\text{V}$		85		$\mu\text{A}$	
	Buck + VLDO Burst Mode Active $V_{IN}$ Quiescent Current	$LV_{IN} = 1.8\text{V}$ , $LV_{OUT} = 1.575\text{V}$ , $ENBUCK = V_{IN}$ , $ENVLDO = V_{IN}$ , $MODE = V_{IL}$ , $I_{OUT(VLDO)} = 10\mu\text{A}$ , $V_{VOUT} = 1.575\text{V}$		315		$\mu\text{A}$	
	Buck + VLDO Pulse-Skip Mode Active $V_{IN}$ Quiescent Current	$LV_{IN} = 1.8\text{V}$ , $LV_{OUT} = 1.575\text{V}$ , $ENBUCK = V_{IN}$ , $ENVLDO = V_{IN}$ , $MODE = V_{IN}$ , $I_{OUT(VLDO)} = 10\mu\text{A}$ , $V_{VOUT} = 1.575\text{V}$		300		$\mu\text{A}$	
	Buck Burst Mode Sleep $V_{IN}$ Quiescent Current	$V_{VOUT} = 2.03\text{V}$ , $I_{OUT(BUCK)} = 0\text{A}$ , $ENBUCK = V_{IN}$ , $ENVLDO = 0\text{V}$ , $MODE = 0\text{V}$			55	$\mu\text{A}$	
	Buck Burst Mode Active $V_{IN}$ Quiescent Current	$V_{VOUT} = 1.575\text{V}$ , $I_{OUT(BUCK)} = 0\text{A}$ , $ENBUCK = V_{IN}$ , $ENVLDO = 0\text{V}$ , $MODE = 0\text{V}$			300	$\mu\text{A}$	
	Buck Pulse-Skip Mode Active $V_{IN}$ Quiescent Current	$V_{VOUT} = 1.575\text{V}$ , $I_{OUT(BUCK)} = 0\text{A}$ , $ENBUCK = V_{IN}$ , $ENVLDO = 0\text{V}$ , $MODE = V_{IN}$			285	$\mu\text{A}$	
	Linear Regulator $V_{IN}$ Quiescent Current	$LV_{OUT} = 1.575\text{V}$ , $ENBUCK = V_{IL}$ , $ENVLDO = V_{IN}$ , $I_{OUT(VLDO)} = 10\mu\text{A}$			50	$\mu\text{A}$	
	$V_{IN}$ Shutdown Quiescent Current	$ENBUCK = 0\text{V}$ , $ENVLDO = 0\text{V}$			2.5	$\mu\text{A}$	
$LV_{IN}$ Shutdown Quiescent Current	$LV_{IN} = 3.6\text{V}$ , $ENBUCK = 0\text{V}$ , $ENVLDO = 0\text{V}$			0.1	$\mu\text{A}$		
$f_{OSC}$	Oscillator Frequency		●	1.8	2.25	2.7	MHz
$R_{PFET}$	$R_{DS(ON)}$ of P-Channel MOSFET	$I_{SW} = 100\text{mA}$			0.25		$\Omega$
$R_{NFET}$	$R_{DS(ON)}$ of N-Channel MOSFET	$I_{SW} = -100\text{mA}$			0.35		$\Omega$
$I_{LSW}$	SW Leakage	Enable = 0V, $V_{SW} = 0\text{V}$ or 6V, $V_{IN} = 6\text{V}$			$\pm 0.01$	$\pm 1$	$\mu\text{A}$
$V_{IH}$	Input Pin High Threshold	MODE, ENBUCK, ENVLDO	●	0.9			V
$V_{IL}$	Input Pin Low Threshold	MODE, ENBUCK, ENVLDO	●			0.3	V
$I_{MODE}$ , $I_{ENBUCK}$ , $I_{ENVLDO}$	Input Pin Current		●		$\pm 0.01$	$\pm 1$	$\mu\text{A}$

**Note 1:** Stresses beyond those listed under Absolute Maximum Ratings may cause permanent damage to the device. Exposure to any Absolute Maximum Rating condition for extended periods may affect device reliability and lifetime.

**Note 2:** The LTC3541-3 is guaranteed to meet performance specifications from  $0^\circ\text{C}$  to  $85^\circ\text{C}$ . VLDO/linear regulator output is tested and specified under pulse load conditions such that  $T_J \approx T_A$ , and are 100% production tested at  $25^\circ\text{C}$ . Specifications over the  $-40^\circ\text{C}$  to  $85^\circ\text{C}$  operating temperature range are assured by design, characterization and correlation with statistical process controls.

**Note 3:** Minimum operating  $LV_{IN}$  voltage required for VLDO regulation is:

$$LV_{IN} \geq LV_{OUT} + V_{DROPOUT}$$

**Note 4:** Minimum operating  $V_{IN}$  voltage required for VLDO and linear regulator regulation is:

$$V_{IN} \geq LV_{OUT} + 1.4\text{V}$$

**Note 5:**  $T_J$  is calculated from the ambient temperature,  $T_A$ , and power dissipation,  $P_D$ , according to the following formula:

$$T_J = T_A + (P_D \cdot 43^\circ\text{C/W})$$

**Note 6:** The LTC3541-3 is tested in a proprietary test mode that connects  $V_{BUCKFB}$  to the output of the error amplifier. For the reference regulation and line regulation tests, the output of the error amplifier is set to the midpoint. For the load regulation test, the output of the error amplifier is driven to minimum and maximum of the signal range.

**Note 7:** Measurement made in closed loop linear regulator configuration with  $LV_{OUT} = 1.575\text{V}$ ,  $I_{LOAD} = 10\mu\text{A}$ .

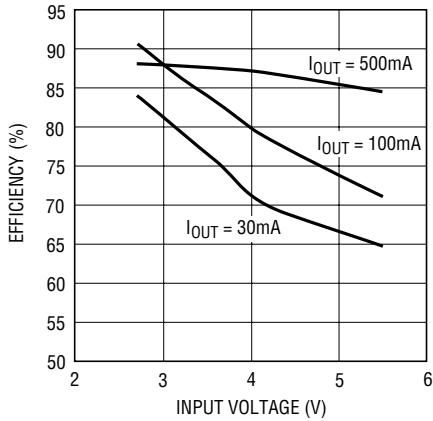
**Note 8:** Measurement made in a proprietary test mode with slope compensation disabled.

**Note 9:** Measurement assured by design, characterization and statistical process control.

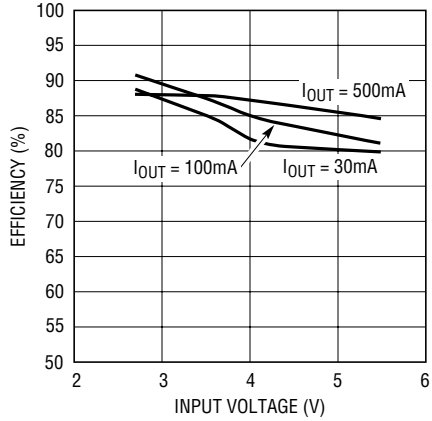
**Note 10:** This IC includes overtemperature protection that is intended to protect the device during momentary overload conditions. Junction temperature will exceed  $125^\circ\text{C}$  when overtemperature protection is active. Continuous operation above the specified maximum operating junction temperature may impair device reliability.

## TYPICAL PERFORMANCE CHARACTERISTICS

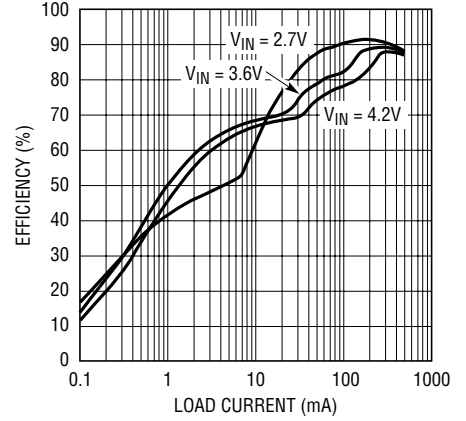
**Efficiency vs Input Voltage for Buck (Pulse Skip)**



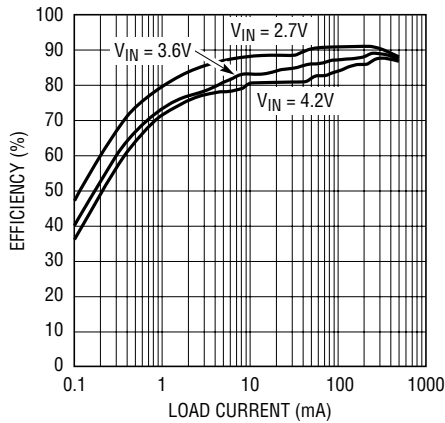
**Efficiency vs Input Voltage for Buck (Burst)**



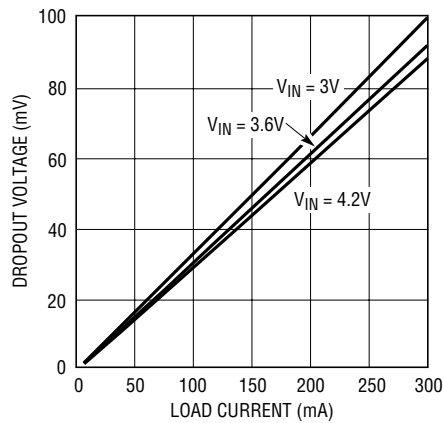
**Efficiency vs Load Current for Buck (Pulse Skip)**



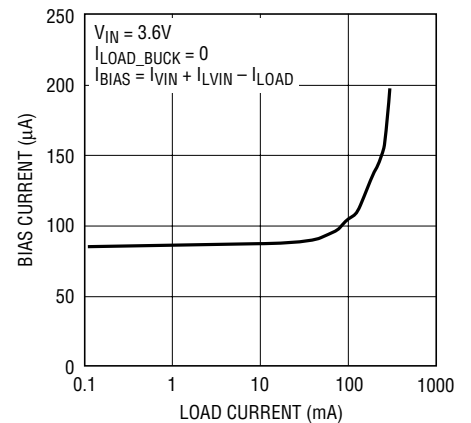
**Efficiency vs Load Current for Buck (Burst)**



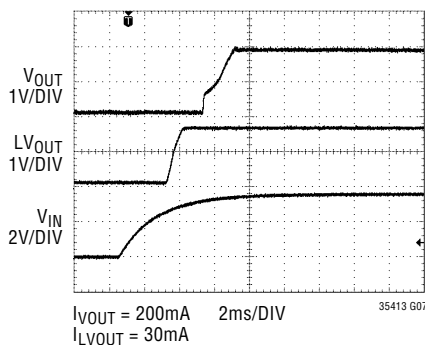
**VLDO Dropout Voltage vs Load Current**



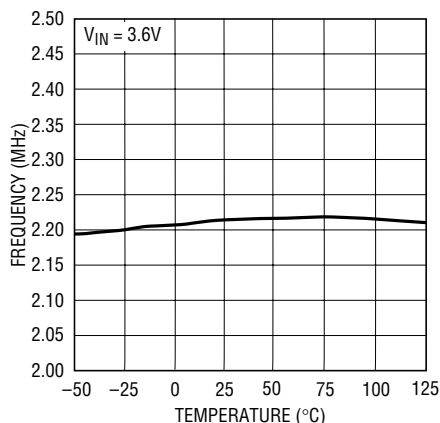
**Buck (Burst) Plus VLDO Bias Current vs VLDO Load Current**



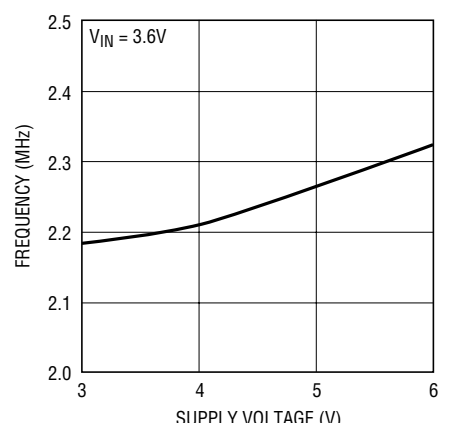
**Output (Auto-Start-Up Sequence) vs Time**



**Oscillator Frequency vs Temperature**

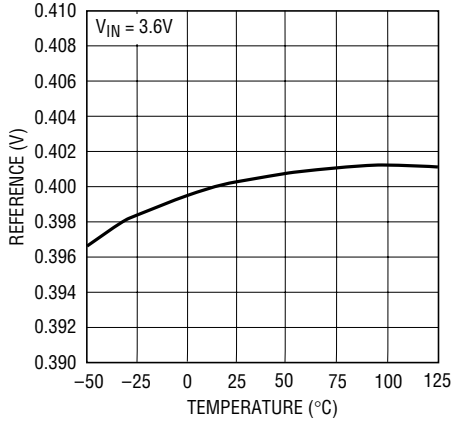


**Oscillator Frequency vs Supply Voltage**



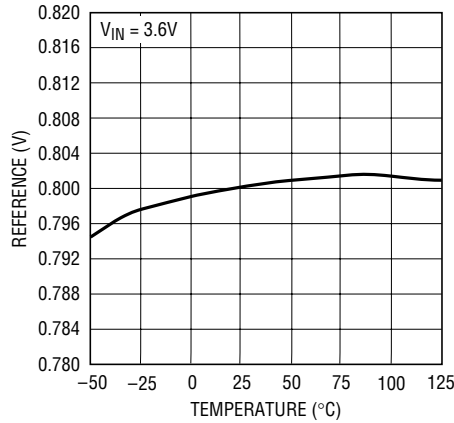
# TYPICAL PERFORMANCE CHARACTERISTICS

**VLDO/Linear Regulator vs Temperature**



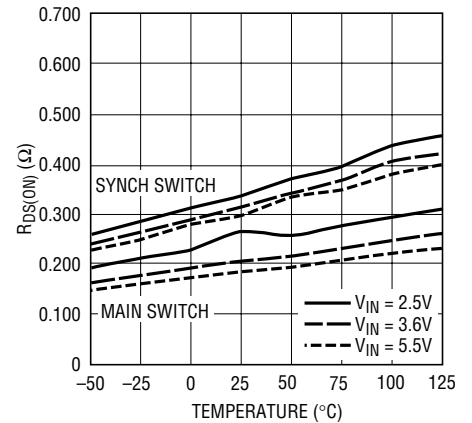
35413 G19

**Buck Reference vs Temperature**



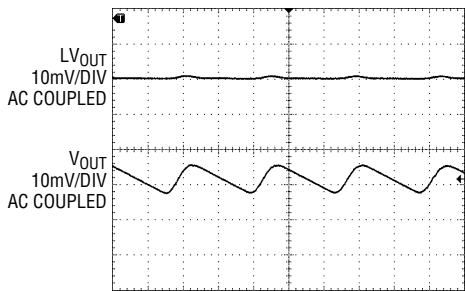
35413 G20

**R<sub>DS(ON)</sub> vs Temperature**



35413 G10

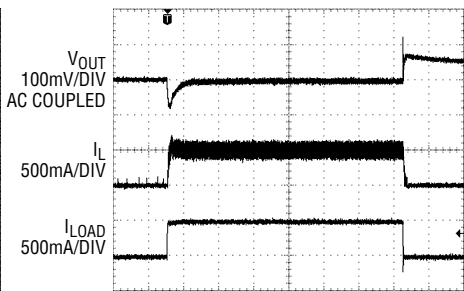
**Buck (Burst) and VLDO Output**



$V_{IN} = 3.6V$   
 $V_{LVO} = 1.5V$   
 $V_{OUT} = 1.875V$   
 $I_{LOAD} = 50mA$   
 Burst Mode OPERATION

35413 G21

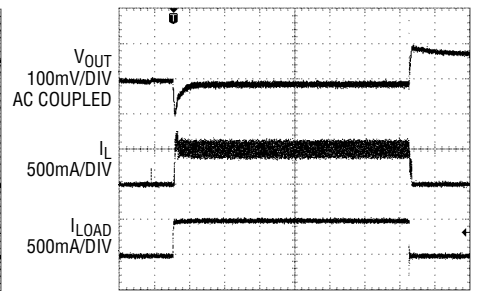
**Buck (Pulse Skip) Load Step from 1mA to 500mA**



$V_{IN} = 3.6V$   
 $V_{OUT} = 1.8V$   
 $I_{LOAD} = 1mA TO 500mA$

35413 G11

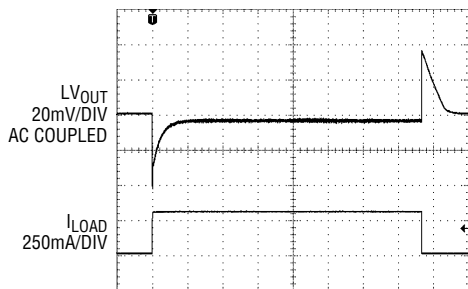
**Buck (Burst) Load Step from 1mA to 500mA**



$V_{IN} = 3.6V$   
 $V_{OUT} = 1.8V$   
 $I_{LOAD} = 1mA TO 500mA$

35413 G12

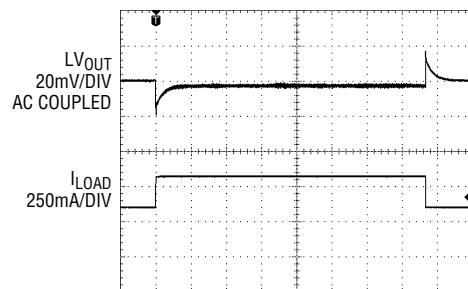
**VLDO Load Step from 1mA to 300mA**



$V_{IN} = 3.6V$   
 $V_{OUT} = 1.575V$   
 $I_{LOAD} = 1mA TO 300mA$

35413 G13

**VLDO Load Step from 100mA to 300mA**

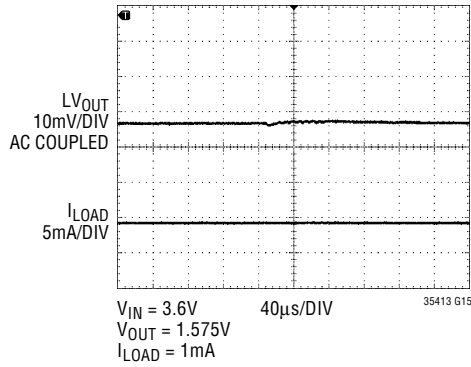


$V_{IN} = 3.6V$   
 $V_{OUT} = 1.575V$   
 $I_{LOAD} = 100mA TO 300mA$

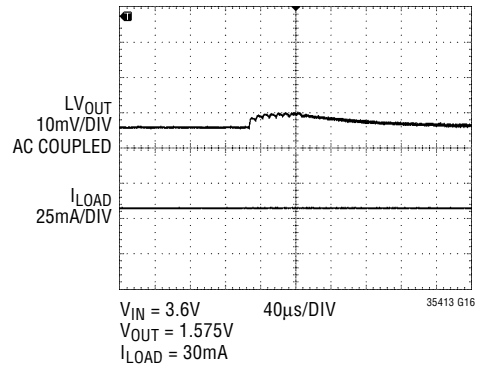
35413 G14

**TYPICAL PERFORMANCE CHARACTERISTICS**

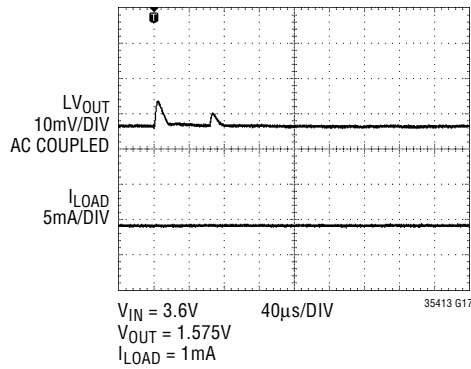
**Linear Regulator to VLDO  
Transient Step, Load = 1mA**



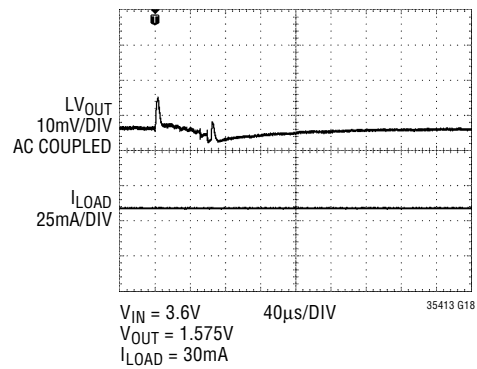
**Linear Regulator to VLDO  
Transient Step, Load = 30mA**



**VLDO to Linear Regulator  
Transient Step, Load = 1mA**



**VLDO to Linear Regulator  
Transient Step, Load = 30mA**



## PIN FUNCTIONS

**V<sub>IN</sub> (Pin 1):** Main Supply Pin. This pin must be closely decoupled to GND with a 10 $\mu$ F or greater capacitor.

**ENBUCK (Pin 2):** Buck Enable Pin. This pin enables the buck regulator when driven to a logic high.

**V<sub>OUT</sub> (Pin 3):** Buck Regulator Output Pin. This pin receives the buck regulator's output voltage.

**NC (Pin 4):** Not Connected. This pin must not be connected or capacitively loaded.

**LV<sub>OUT</sub> (Pin 5):** VLDO/Linear Regulator Output Pin. This pin provides the regulated output voltage from the VLDO or linear regulator.

**LV<sub>IN</sub> (Pin 6):** VLDO/Linear Regulator Input Supply Pin. This pin provides the input supply voltage for the VLDO power FET.

**GND (Pin 7):** Analog Ground Pin.

**MODE (Pin 8):** Buck Mode Selection Pin. This pin enables buck Pulse-Skip operation when driven to a logic high and enables buck Burst Mode operation when driven to a logic low.

**ENVLDO (Pin 9):** VLDO/Linear Regulator Enable Pin. When driven to a logic high, this pin enables the linear regulator when the ENBUCK pin is driven to a logic low, and enables the VLDO regulator when the ENBUCK pin is driven to a logic high.

**SW (Pin 10):** Switch Node Pin. This pin connects the internal main and synchronous power MOSFET switches to the external inductor for the buck regulator.

**Exposed Pad (Pin 11):** Ground Pin. This pin must be soldered to the PCB to provide both electrical contact to ground and good thermal contact to the PCB.

Note: Table 1 details the truth table for the control pins of the LTC3541-3.

**Table 1. LTC3541-3 Control Truth Table**

PIN NAME			OPERATIONAL DESCRIPTION
ENBUCK	ENVLDO	MODE	
0	0	X	LTC3541-3 Powered Down
0	1	X	Buck Powered Down, VLDO Powered Down, Linear Regulator Enabled
1	0	0	Buck Enabled, VLDO Powered Down, Linear Regulator Powered Down, Burst Mode Operation
1	0	1	Buck Enabled, VLDO Powered Down, Linear Regulator Powered Down, Pulse-Skip Mode
1	1	0	Buck Enabled, VLDO Enabled, Linear Regulator Powered Down, Burst Mode Operation
1	1	1	Buck Enabled, VLDO Enabled, Linear Regulator Powered Down, Pulse-Skip Mode

**FUNCTIONAL BLOCK DIAGRAM**

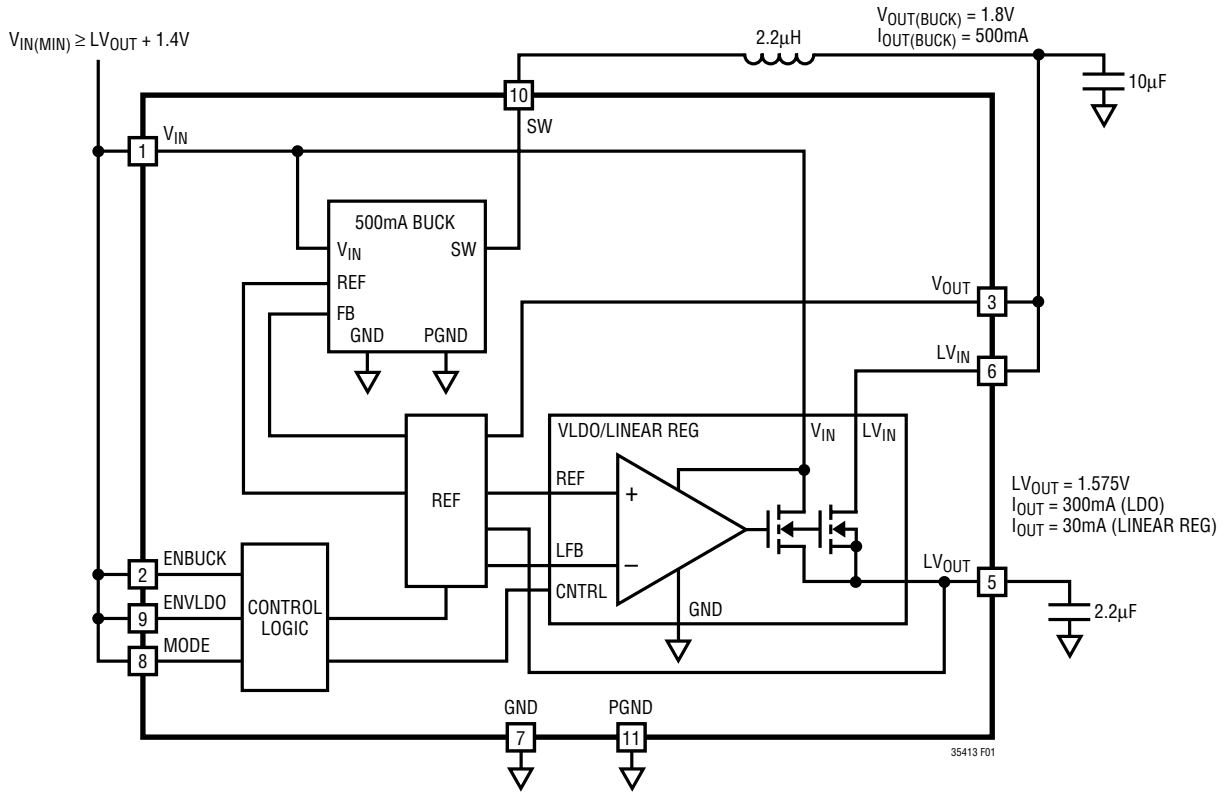


Figure 1. LTC3541-3 Functional Block Diagram



## OPERATION

The LTC3541-3 contains a high efficiency synchronous buck converter, a very low dropout regulator (VLDO) and a linear regulator. It can be used to provide up to two output voltages from a single input voltage making the LTC3541-3 ideal for applications with limited board space. The combination and configuration of these major blocks within the LTC3541-3 is determined by way of the control pins ENBUCK and ENVLDO as defined in Table 1.

With the ENBUCK pin driven to a logic high and ENVLDO driven to a logic low, the LTC3541-3 enables the buck converter to efficiently reduce the voltage provided at the  $V_{IN}$  input pin to an output voltage of 1.8V as determined by an internal feedback resistor network. The buck regulator can be configured for Pulse-Skip or Burst Mode operation by driving the MODE pin to a logic high or logic low respectively. The buck regulator is capable of providing a maximum output current of 500mA, which must be taken into consideration when using the buck regulator to provide the power for both the VLDO regulator and for external loads.

With the ENBUCK pin driven to a logic low and ENVLDO driven to a logic high, the LTC3541-3 enables the linear regulator, providing a low noise regulated output voltage of 1.575V at the  $LV_{OUT}$  pin while drawing minimal quiescent current from the  $V_{IN}$  input pin. This feature allows output voltage  $LV_{OUT}$  to be brought into regulation without the presence of the  $LV_{IN}$  voltage.

With the ENBUCK and ENVLDO pins both driven to a logic high, the LTC3541-3 enables the high efficiency buck converter and VLDO, providing dual output operation from a single input voltage. When configured in this manner, the LTC3541-3's auto start-up sequencing feature will initially bring the VLDO/linear regulator output (1.575V) into regulation in a controlled manner using the linear regulator prior to enabling the buck output (1.8V) without the need for external pin control. The LTC3541-3 automatically transitions the VLDO/linear regulator output (1.575V) from the linear regulator to the VLDO regulator within 20ms of buck soft-start initiation. A detailed discussion of the transitions between the VLDO regulator and linear regulator can be found in the VLDO/Linear Regulator Loop section.

### Buck Regulator Control Loop

The LTC3541-3 internal buck regulator uses a constant frequency, current mode, step-down architecture. Both the main (top, P-channel MOSFET) and synchronous (bottom, N-channel MOSFET) switches are internal. During normal operation, the internal main switch is turned on at the beginning of each clock cycle provided the internal feedback voltage to the buck is less than the reference voltage. The current into the inductor provided to the load increases until the current limit is reached. Once the current limit is reached the main switch turns off and the energy stored in the inductor flows through the bottom synchronous switch into the load until the next clock cycle.

The peak inductor current is determined by comparing the buck feedback signal to an internal 0.8V reference. When the load current increases, the output of the buck and hence the buck feedback signal decrease. This decrease causes the peak inductor current to increase until the average inductor current matches the load current. While the main switch is off, the synchronous switch is turned on until either the inductor current starts to reverse direction or the beginning of a new clock cycle.

When the MODE pin is driven to a logic low, the LTC3541-3 buck regulator operates in Burst Mode operation for high efficiency. In this mode, the main switch operates based upon load demand. In Burst Mode operation the peak inductor current is set to a fixed value, where each burst event can last from a few clock cycles at light loads to nearly continuous cycling at moderate loads. Between burst events the main switch and any unneeded circuitry are turned off, reducing the quiescent current. In this sleep state, the load is being supplied solely from the output capacitor. As the output voltage droops, an internal error amplifier's output rises until a wake threshold is reached causing the main switch to again turn on. This process repeats at a rate that is dependant upon the load current demand.

## OPERATION

When the MODE pin is driven to a logic high the LTC3541-3 operates in Pulse-Skip mode for low output voltage ripple. In this mode, the LTC3541-3 continues to switch at a constant frequency down to very low currents, where it will begin skipping pulses used to control the main (top) switch to maintain the proper average inductor current.

If the input supply voltage is decreased to a value approaching the output voltage, the duty cycle of the buck is increased toward maximum on-time and 100% duty cycle. The output voltage will then be determined by the input voltage minus the voltage drop across the main switch and the inductor.

### VLDO/Linear Regulator Loop

In the LTC3541-3, the VLDO and linear regulator loops consist of an amplifier and N-channel MOSFET output stages that servo the output to maintain a regulator output voltage,  $V_{OUT}$ . Loop configurations enabling the VLDO or the linear regulator are stable with an output capacitance as low as  $2.2\mu\text{F}$  and as high as  $100\mu\text{F}$ . Both the VLDO regulator and the linear regulators are capable of operating with an input voltage,  $V_{IN}$ , as low as 3V.

The VLDO regulator is designed to provide up to 300mA of output current at a very low  $V_{IN}$  to  $V_{OUT}$  voltage. This allows a clean, secondary, analog supply voltage to be provided with a minimum drop in efficiency. The VLDO regulator is provided with thermal protection that is designed to disable the VLDO function when the output, pass transistor's junction temperature reaches approximately  $160^{\circ}\text{C}$ . In addition to thermal protection, short-circuit detection is provided to disable the VLDO function when a short-circuit condition is sensed. This circuit is designed such that an output current of approximately 1A can be provided before this circuit will trigger. As detailed in the Electrical Characteristics, the VLDO regulator will be out of regulation when this event occurs. Both the thermal and short-circuit faults, when detected, are treated as catastrophic fault conditions. The LTC3541-3 will be reset upon the detection of either event.

The N-channel MOSFET incorporated in the VLDO regulator has its drain connected to the  $V_{IN}$  pin as shown in Figure 1. To ensure reliable operation, the  $V_{IN}$  voltage must be stable before the VLDO regulator is enabled. For the case where the voltage on  $V_{IN}$  is supplied by the buck regulator, the internal power supply sequencing logic assures voltages are applied in the appropriate manner. For the case where the buck is enabled before the VLDO regulator and an external supply is used to power the  $V_{IN}$  pin, the voltage on  $V_{IN}$  pin must be stable 1ms before the ENVLDO pin is brought from a low to a high. Further, the externally supplied  $V_{IN}$  must be reduced in conjunction with  $V_{IN}$  whenever  $V_{IN}$  is pulled low or removed.

The linear regulator is designed to provide a lower output current (30mA) than that available from the VLDO regulator. The linear regulator's output, pass transistor has its drain tied to the  $V_{IN}$  rail. This allows the linear regulator to be turned on prior to, and independent of, the buck regulator which ordinarily drives the VLDO regulator. The linear regulator is provided with thermal protection that is designed to disable the linear regulator function when the output pass transistor's junction temperature reaches approximately  $160^{\circ}\text{C}$ . In addition to thermal protection, short-circuit detection is provided to disable the linear regulator function when a short-circuit condition is sensed. This circuit is designed such that an output current of approximately 120mA can be provided before this circuit will trigger. As detailed in the Electrical Characteristics, the linear regulator will be out of regulation when this event occurs. Both the thermal and short-circuit faults are treated as catastrophic fault conditions. The LTC3541-3 will be reset upon the detection of either event.

The N-channel MOSFET incorporated in the linear regulator has its drain connected to the  $V_{IN}$  pin as shown in Figure 1. The size of these MOSFETs and their associated power bussing is designed to accommodate 30mA of DC current. Currents above this value can be supported for short periods as stipulated in the Absolute Maximum Ratings.

## OPERATION

Transitioning from linear regulator mode to VLDO mode, accomplished by bringing ENBUCK from a logic low to a logic high while ENVLDO is a logic high or as occurs during the auto start-up sequence, is designed to be as seamless and transient free as possible. The precise transient response of  $LV_{OUT}$  due to this transition is a function of  $C_{OUT}$  and the load current. Waveforms given in the Typical Performance Characteristics section show typical transient responses using the minimum  $C_{OUT}$  of  $2.2\mu\text{F}$  and load currents of 1mA and 30mA respectively. Generally, the amplitude of any transients present will decrease as  $C_{OUT}$  is increased. To ensure reliable operation and adherence to the load regulation limits presented in the Electrical Characteristics table, the load current must not exceed the linear regulator  $I_{OUT}$  limit of 30mA within 20ms after ENBUCK has transitioned to a logic high. The 300mA  $I_{OUT}$  limit of VLDO applies thereafter. Further, for configurations that do not use the LTC3541-3's buck regulator to provide the VLDO input voltage ( $LV_{IN}$ ), the user must ensure a stable  $LV_{IN}$  voltage is present no less than 1ms prior to ENBUCK transitioning to a logic high.

In a similar manner, transitioning from VLDO mode to linear regulator mode, accomplished by bringing ENBUCK from a high low to a logic low while ENVLDO is a logic high, is designed to be as seamless and transient free as possible. Again, the precise transient response of  $LV_{OUT}$  due to this transition is a function of  $C_{OUT}$  and the load current. Waveforms given in the Typical Performance Characteristics section show typical transient responses using the minimum  $C_{OUT}$  of  $2.2\mu\text{F}$  and load currents of 1mA and 30mA respectively. Generally, the amplitude of any transients present will decrease as  $C_{OUT}$  is increased. To ensure reliable operation and adherence to the load regulation limits presented in the Electrical Characteristics table, the load current must not exceed the linear regulator  $I_{OUT}$  limit of 30mA 1ms prior to ENBUCK transitioning to a logic low and thereafter. Further, for configurations that do not use the LTC3541-3's buck regulator to provide the VLDO input voltage ( $LV_{IN}$ ), the user must continue to ensure a stable  $LV_{IN}$  voltage no less than 1ms after ENBUCK has transitioned to a logic low.

## APPLICATIONS INFORMATION

The basic LTC3541-3 application circuit is shown on the first page of this data sheet. External component selection is driven by the load requirement and requires the selection of L, followed by C<sub>IN</sub>, C<sub>OUT</sub>, and feedback resistor values for the buck and the selection of the output capacitor and feedback values for the VLDO and linear regulator.

### BUCK REGULATOR

#### Inductor Selection

For most applications, the appropriate inductor value will be 2.2μH. Its value is chosen largely based on the desired ripple current and burst ripple performance. Generally, large value inductors reduce ripple current, and conversely, small value inductors produce higher ripple current. Higher V<sub>IN</sub> or V<sub>OUT</sub> may also increase the ripple current as shown in Equation 1. A reasonable starting point for setting ripple current is ΔI<sub>L</sub> = 200mA (40% of 500mA).

$$\Delta I_L = \frac{1}{(f)(L)} V_{OUT} \left( 1 - \frac{V_{OUT}}{V_{IN}} \right) \quad (1)$$

The DC current rating of the inductor should be at least equal to the maximum load current plus half the ripple current to prevent core saturation. Thus, a 600mA rated inductor should be enough for most applications (500mA + 100mA). For better efficiency, choose a low DC resistance inductor.

#### Inductor Core Selection

Different core materials and shapes will change the size/current and price/current relationship of an inductor. Toroid or shielded pot cores in ferrite or permalloy materials are small and don't radiate much energy, but generally cost more than powdered iron core inductors with similar electrical characteristics. The choice of which style inductor to use often depends more on the price vs size requirement and any radiated field/EMI requirements rather than what the LTC3541-3 requires to operate. Table 2 shows some typical surface mount inductors that work well in LTC3541-3 applications.

**Table 2. Representative Surface Mount Inductors**

PART NUMBER	VALUE (μH)	DCR (Ω MAX)	MAX DC CURRENT (A)	SIZE W × L × H (mm <sup>3</sup> )
Sumida CDRH3D23	1.0	0.025	2	3.9 × 3.9 × 2.4
	1.5	0.029	1.65	
	2.2	0.038	1.3	
	3.3	0.048	1.1	
Sumida CMD4D06	2.2	0.116	0.950	3.5 × 4.3 × 0.8
	3.3	0.174	0.770	
Coilcraft ME3220	1.0	0.058	2.7	2.5 × 3.2 × 2.0
	1.5	0.068	2.2	
	2.2	0.104	1.8	
	3.3	0.138	1.3	
Murata LQH3C	1.0	0.060	1.00	2.5 × 3.2 × 2.0
	2.2	0.097	0.79	

#### C<sub>IN</sub> and C<sub>OUT</sub> Selection

In continuous mode, the source current of the top MOSFET is a square wave of duty cycle V<sub>OUT</sub>/V<sub>IN</sub>. To prevent large voltage transients, a low ESR input capacitor sized for the maximum RMS current must be used. The maximum RMS capacitor current is given by:

$$C_{IN} \text{ required } I_{RMS} \cong I_{OMAX} \frac{[V_{OUT}(V_{IN} - V_{OUT})]^{1/2}}{V_{IN}}$$

This formula has a maximum at V<sub>IN</sub> = 2V<sub>OUT</sub>, where I<sub>RMS</sub> = I<sub>OUT</sub>/2. This simple, worst-case condition is commonly used for design. Note that the capacitor manufacturer's ripple current ratings are often based on 2000 hours of life. This makes it advisable to further derate the capacitor or choose a capacitor rated at a higher temperature than required. Always consult the manufacturer with any question regarding proper capacitor choice.

The selection of C<sub>OUT</sub> for the buck regulator is driven by the desired buck loop transient response, required effective series resistance (ESR) and burst ripple performance.

The LTC3541-3 minimizes the required number of external components by providing internal loop compensation for the buck regulator loop. Loop stability, transient response and burst ripple performance can be tailored by choice of output capacitance. For many applications, desirable stability, transient response and ripple performance can

## APPLICATIONS INFORMATION

be obtained by choosing an output capacitor value of 10 $\mu$ F to 22 $\mu$ F.

Typically, once the ESR requirement for  $C_{OUT}$  has been met, the RMS current rating generally far exceeds the  $I_{RIPPLE(P-P)}$  requirement. The output ripple  $\Delta V_{OUT}$  is determined by:

$$\Delta V_{OUT} \cong \Delta I_L \left( ESR + \frac{1}{8fC_{OUT}} \right)$$

where  $f$  = operating frequency,  $C_{OUT}$  = output capacitance and  $\Delta I_L$  = ripple current in the inductor. For a fixed output voltage, the output ripple is highest at maximum input voltage since  $\Delta I_L$  increases with input voltage.

Aluminum electrolytic and dry tantalum capacitors are both available in surface mount configurations. In the case of tantalum, it is critical that the capacitors are surge tested for use in switching power supplies. An excellent choice is the AVX TPS series of surface mount tantalum. These are specially constructed and tested for low ESR so they give the lowest ESR for a given volume. Other capacitor types include Sanyo POSCAP, Kemet T510 and T495 series, and Sprague 593D and 595D series. Consult the manufacturer for other specific recommendations.

### Using Ceramic Input and Output Capacitors

High value, low cost ceramic capacitors are now becoming available in smaller case sizes. Their high ripple current, high voltage rating, and low ESR make them ideal for switching regulator applications. Since the LTC3541-3's control loop does not depend on the output capacitor's ESR for stable operation, ceramic capacitors can be used freely to achieve very low output ripple and small circuit size.

However, care must be taken when ceramic capacitors are used at the input and the output. When a ceramic capacitor is used at the input and the power is supplied by a wall adapter through long wires, a load step at the output can induce ringing at the input,  $V_{IN}$ . At best, this ringing can couple to the output and be mistaken as loop instability. At worst, a sudden inrush of current through

the long wires can potentially cause a voltage spike at  $V_{IN}$ , large enough to damage the part.

When choosing the input and output ceramic capacitors, choose the X5R or X7R dielectric formulations. These dielectrics have the best temperature and voltage characteristics of all the ceramics for a given value and size.

### Checking Transient Response

The regulator loop response can be checked by looking at the load transient response. Switching regulators take several cycles to respond to a step in load current. When a load step occurs,  $V_{OUT}$  immediately shifts by an amount equal to ( $\Delta I_{LOAD} \cdot ESR$ ), where ESR is the effective series resistance of  $C_{OUT}$ .  $\Delta I_{LOAD}$  also begins to charge or discharge  $C_{OUT}$ , which generates a feedback error signal. The regulator loop then acts to return  $V_{OUT}$  to its steady-state value. During this recovery time  $V_{OUT}$  can be monitored for overshoot or ringing that would indicate a stability problem. For a detailed explanation of switching control loop theory see Application Note 76.

A second, more severe transient is caused by switching in loads with large (>1 $\mu$ F) supply bypass capacitors. The discharged bypass capacitors are effectively put in parallel with  $C_{OUT}$ , causing a rapid drop in  $V_{OUT}$ . No regulator can deliver enough current to prevent this problem if the load switch resistance is low and it is driven quickly. The only solution is to limit the rise time of the switch drive so that the load rise time is limited to approximately ( $25 \cdot C_{LOAD}$ ). Thus, a 10 $\mu$ F capacitor charging to 3.3V would require a 250 $\mu$ s rise time, limiting the charging current to about 130mA.

## VLDO/LINEAR REGULATOR

### Output Capacitance and Transient Response

The LTC3541-3 is designed to be stable with a wide range of ceramic output capacitors. The ESR of the output capacitor affects stability, most notably with small capacitors. A minimum output capacitor of 2.2 $\mu$ F with an ESR of 0.05 $\Omega$

## APPLICATIONS INFORMATION

or less is recommended to ensure stability. The LTC3541-3 VLDO is a micropower device and output transient response will be a function of output capacitance. Larger values of output capacitance decrease the peak deviations and provide improved transient response for larger load current changes. Note that bypass capacitors used to decouple individual components powered by the LTC3541-3 will increase the effective output capacitor value. High ESR tantalum and electrolytic capacitors may be used, but a low ESR ceramic capacitor must be in parallel at the output. There is no minimum ESR or maximum capacitor size requirement.

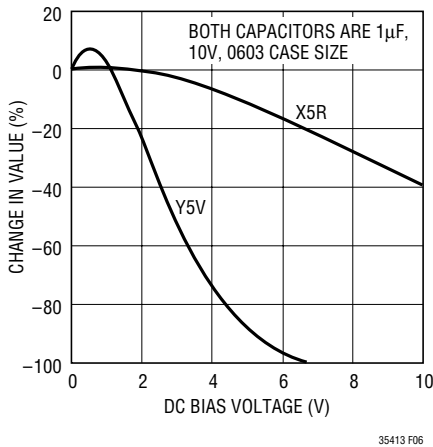


Figure 6. Change in Capacitor vs Bias Voltage

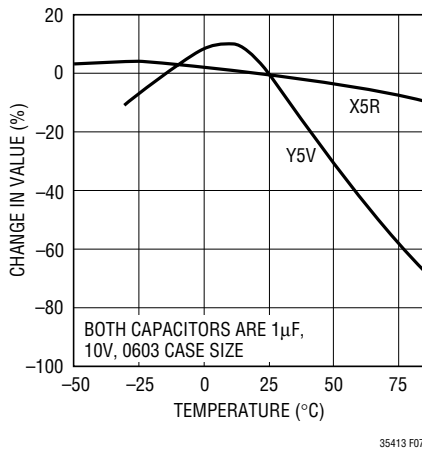


Figure 7. Change in Capacitor vs Temperature

Extra consideration must be given to the use of ceramic capacitors. Ceramic capacitors are manufactured with a variety of dielectrics, each with different behavior across temperature and applied voltage. The most common dielectrics used are Z5U, Y5V, X5R and X7R. The Z5U and Y5V dielectrics are good for providing high capacitances in a small package, but exhibit large voltage and temperature coefficients as shown in Figures 6 and 7. When used with a 2V regulator, a 1µF Y5V capacitor can lose as much as 75% of its initial capacitance over the operating temperature range. The X5R and X7R dielectrics result in more stable characteristics and are usually more suitable for use as the output capacitor. The X7R type has better stability across temperature, while the X5R is less expensive and is available in higher values. In all cases, the output capacitance should never drop below 1µF or instability or degraded performance may occur.

## EFFICIENCY CONSIDERATIONS

Generally, the efficiency of a regulator is equal to the output power divided by the input power times 100%. It is often useful to analyze individual loss terms to determine which terms are limiting efficiency and what if any change would yield the greatest improvement. Efficiency can be expressed as:

$$\text{Efficiency} = 100\% - (L1 + L2 + L3 + \dots)$$

where L1, L2, etc. are the individual loss terms as a percentage of input power.

Although all dissipative elements in the circuit produce losses, three main sources typically account for the majority of the losses in the LTC3541-3 circuits:  $V_{IN}$  quiescent current,  $I^2R$  losses and loss across VLDO output device. When operating with both the buck and VLDO regulator active (ENBUCK and ENVLDO equal to logic high),  $V_{IN}$  quiescent current loss and loss across the VLDO output device dominate the efficiency loss at low load currents, whereas the  $I^2R$  loss and loss across the VLDO output device dominate the efficiency loss at medium to high load currents. At low load currents with the part operating with the linear regulator (ENBUCK equal to logic low, ENVLDO

## APPLICATIONS INFORMATION

equal to logic high), efficiency is typically dominated by the loss across the linear regulator output device and  $V_{IN}$  quiescent current. In a typical efficiency plot, the efficiency curve at very low load currents can be misleading since the actual power lost is of little consequence.

1. The  $V_{IN}$  quiescent current loss in the buck is due to two components: the DC bias current as given in the Electrical Characteristics and the internal main switch and synchronous switch gate charge currents. The gate charge current results from switching the gate capacitance of the internal power switches. Each time the gate is switched from high to low to high again, a packet of charge,  $dQ$ , moves from  $V_{IN}$  to ground. The resulting  $dQ/dt$  is the current out of  $V_{IN}$  that is typically larger than the DC bias current and proportional to frequency. Both the DC bias and gate charge losses are proportional to  $V_{IN}$  and thus their effects will be more pronounced at higher supply voltages.

2.  $I^2R$  losses are calculated from the resistances of the internal switches,  $R_{SW}$ , and external inductor  $R_L$ . In continuous mode, the average output current flowing through inductor  $L$  is “chopped” between the main switch and the synchronous switch. Thus, the series resistance looking into the SW pin is a function of both top and bottom MOSFET  $R_{DS(ON)}$  and the duty cycle (DC) as follows:

$$R_{SW} = (R_{DS(ON)TOP})(DC) + (R_{DS(ON)BOT})(1 - DC)$$

The  $R_{DS(ON)}$  for both the top and bottom MOSFETs can be obtained from the Typical Performance Characteristics curves. Thus, to obtain  $I^2R$  losses, simply add  $R_{SW}$  to  $R_L$  and multiply the result by the square of the average output current.

3. Losses in the VLDO/linear regulator are due to the DC bias currents as given in the Electrical Characteristics and to the  $(V_{IN} - V_{OUT})$  voltage drop across the internal output device transistor.

Other losses when the buck and VLDO regulator are in operation (ENBUCK and ENVLDO equal logic high), including  $C_{IN}$  and  $C_{OUT}$  ESR dissipative losses and inductor core losses, generally account for less than 2% total additional loss.

## THERMAL CONSIDERATIONS

The LTC3541-3 requires the package backplane metal (GND pin) to be well soldered to the PC board. This gives the DFN package exceptional thermal properties. The power handling capability of the device will be limited by the maximum rated junction temperature of 125°C. The LTC3541-3 has internal thermal limiting designed to protect the device during momentary overload conditions. For continuous normal conditions, the maximum junction temperature rating of 125°C must not be exceeded. It is important to give careful consideration to all sources of thermal resistance from junction to ambient. Additional heat sources mounted nearby must also be considered. For surface mount devices, heat sinking is accomplished by using the heat-spreading capabilities of the PC board and its copper traces. Copper board stiffeners and plated through holes can also be used to spread the heat generated by power devices.

To avoid the LTC3541-3 exceeding the maximum junction temperature, some thermal analysis is required. The goal of the thermal analysis is to determine whether the power dissipated exceeds the maximum junction temperature of the part. The temperature rise is given by:

$$T_R = P_D \cdot \theta_{JA}$$

where  $P_D$  is the power dissipated by the regulator and  $\theta_{JA}$  is the thermal resistance from the junction of the die to the ambient temperature.

The junction temperature,  $T_J$ , is given by:

$$T_J = T_A + T_R$$

where  $T_A$  is the ambient temperature.

As an example, consider the LTC3541-3 at an input voltage  $V_{IN}$  of 3V, an  $LV_{IN}$  voltage of 1.8V provided by the buck regulator, an  $LV_{OUT}$  voltage of 1.575V, a load current of 300mA for the VLDO regulator, a load current of 200mA for the buck (total load for buck = 500mA), and an ambient temperature of 85°C. From the typical performance graph of switch resistance, the  $R_{DS(ON)}$  of the P-channel switch at

## APPLICATIONS INFORMATION

85°C is approximately 0.25Ω. The  $R_{DS(ON)}$  of the N-channel switch is approximately 0.4Ω. Therefore, power dissipated by the part is approximately:

$$P_D = (I_{LOADBUCK})^2 \cdot R_{SW(ON)} + (I_{LOADVLDO}) \cdot (LV_{IN} - LV_{OUT}) = 145\text{mW}$$

For the 3mm × 3mm DFN package, the  $\theta_{JA}$  is 43°C/W.

Thus, the junction temperature of the regulator is:

$$T_J = 85^\circ\text{C} + (0.145)(43) = 91^\circ\text{C}$$

which is well below the maximum junction temperature of 125°C.

Note that at higher supply voltages, the junction temperature is lower due to reduced switch resistance  $R_{DS(ON)}$ .

### PC BOARD LAYOUT CHECKLIST

When laying out the printed circuit board, the following checklist should be used to ensure proper operation of the LTC3541-3. Check the following in your layout:

1. The power traces, consisting of the GND trace, the SW trace and the  $V_{IN}$  trace should be kept short, direct and wide.
2. Does the (+) plate of  $C_{IN}$  connect to  $V_{IN}$  as closely as possible? This capacitor provides the AC current to the internal power MOSFETs.
3. Keep the switching node, SW, away from the sensitive LFB node.
4. Keep the (-) plates of  $C_{IN}$  and  $C_{OUT}$  as close as possible.

### DESIGN EXAMPLE

As a design example, assume the LTC3541-3 is used in a single lithium-ion battery powered cellular phone application. The  $V_{IN}$  will be operating from a maximum of 4.2V down to about 3V. The load current requirement is a maximum of 0.5A for the buck output but most of the time it will be in standby mode, requiring only 2mA. Efficiency at both low and high load currents is important. The output voltage for the buck is 1.8V. The requirement for the output voltage of the VLDO regulator is 1.575V while providing up to 0.3A of current. With this information we can calculate L using Equation 2:

$$L = \frac{1}{(f)(\Delta I_L)} V_{OUT} \left( 1 - \frac{V_{OUT}}{V_{IN}} \right) \quad (2)$$

Substituting  $V_{OUT} = 1.8\text{V}$ ,  $V_{IN} = 3.6\text{V}$  (typ),  $\Delta I_L = 200\text{mA}$  and  $f = 2.25\text{MHz}$  in Equation 3 gives:

$$L = \frac{1.8\text{V}}{2.25\text{MHz}(200\text{mA})} \left( 1 - \frac{1.8\text{V}}{3.6\text{V}} \right) = 2\mu\text{H} \quad (3)$$

A 2.2μH inductor works well for this application. For best efficiency choose a 600mA or greater inductor with less than 0.2Ω series resistance.

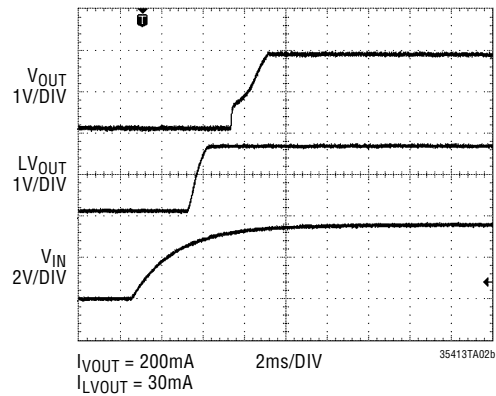
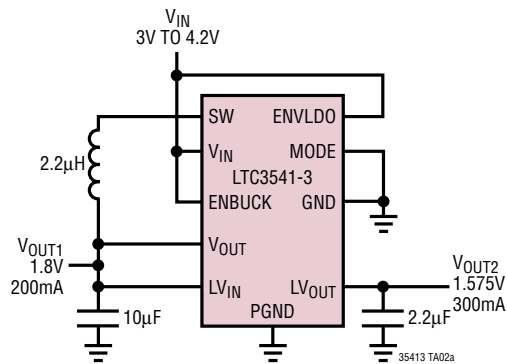
$C_{IN}$  will require an RMS current rating of at least  $0.25A = I_{LOAD(MAX)}/2$  at temperature.  $C_{OUT}$  for the buck is chosen to have a value of 22μF and an ESR of less than 0.25Ω. In most cases, a ceramic capacitor will satisfy this requirement.

$C_{OUT}$  for the VLDO regulator is chosen as 2.2μF.

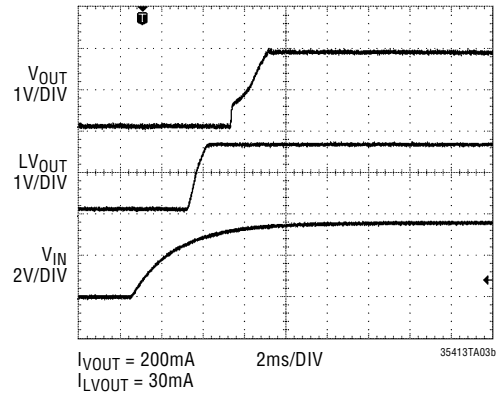
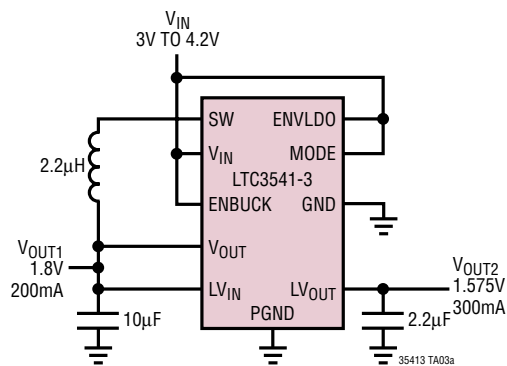


## TYPICAL APPLICATIONS

**Dual Output with Minimal External Components Using Auto Start-Up Sequence, Buck in Burst Mode Operation for High Efficiency Down to Low Load Currents**

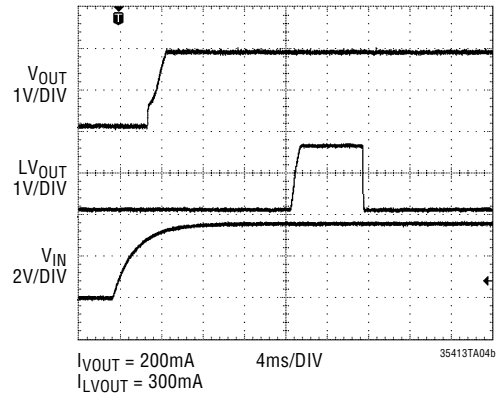
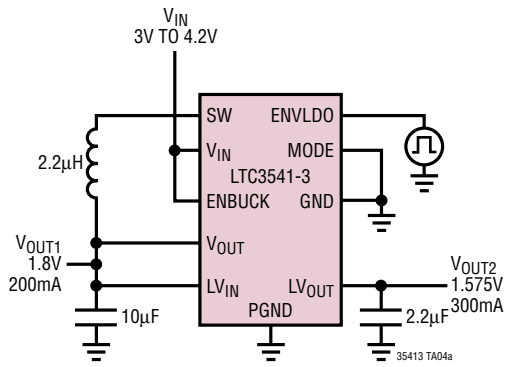


**Dual Output with Minimal External Components Using Auto Start-Up Sequence, Buck in Pulse-Skip Mode for Low Noise Operation**

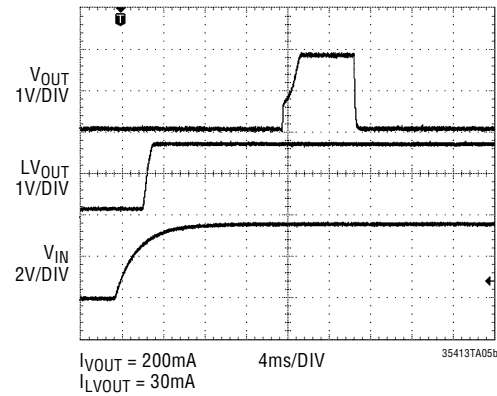
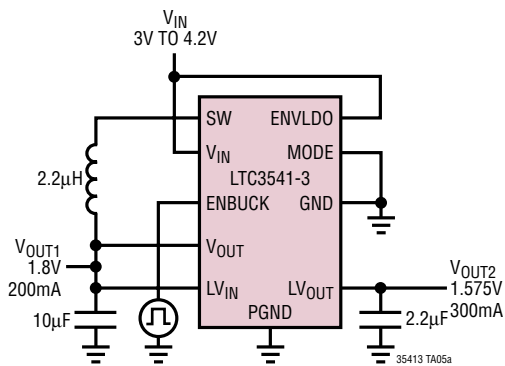


## TYPICAL APPLICATIONS

**Dual Output Using Minimal External Components with  $V_{OUT2}$  Controlled by External Logic Signal, Buck in Burst Mode Operation for High Efficiency Down to Low Load Currents**

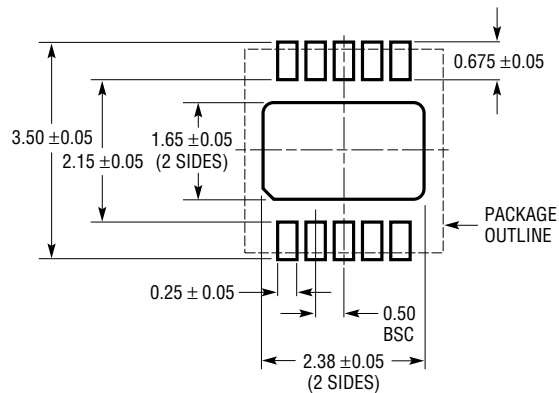


**Dual Output Using Minimal External Components with  $V_{OUT1}$  Controlled by External Logic Signal, Buck in Burst Mode Operation for High Efficiency Down to Low Load Currents**

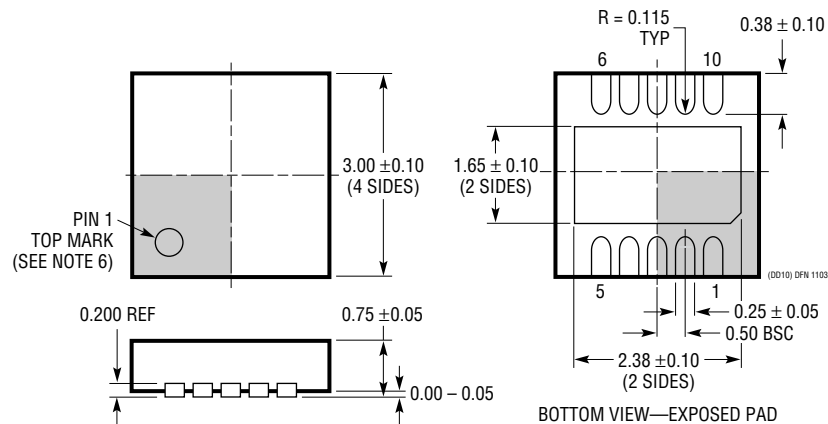


## PACKAGE DESCRIPTION

### DD Package 10-Lead Plastic DFN (3mm × 3mm) (Reference LTC DWG # 05-08-1699)



#### RECOMMENDED SOLDER PAD PITCH AND DIMENSIONS



#### NOTE:

- DRAWING TO BE MADE A JEDEC PACKAGE OUTLINE M0-229 VARIATION OF (WEED-2). CHECK THE LTC WEBSITE DATA SHEET FOR CURRENT STATUS OF VARIATION ASSIGNMENT
- DRAWING NOT TO SCALE
- ALL DIMENSIONS ARE IN MILLIMETERS
- DIMENSIONS OF EXPOSED PAD ON BOTTOM OF PACKAGE DO NOT INCLUDE MOLD FLASH. MOLD FLASH, IF PRESENT, SHALL NOT EXCEED 0.15mm ON ANY SIDE
- EXPOSED PAD SHALL BE SOLDER PLATED
- SHADED AREA IS ONLY A REFERENCE FOR PIN 1 LOCATION ON THE TOP AND BOTTOM OF PACKAGE

## RELATED PARTS

PART NUMBER	DESCRIPTION	COMMENTS
LT <sup>®</sup> 3023	Dual, 2x100mA, Low Noise Micropower LDO	$V_{IN}$ : 1.8V to 20V, $V_{OUT(MIN)}$ = 1.22V, $V_{DO}$ = 0.30V, $I_Q$ = 40 $\mu$ A, $I_{SD}$ < 1 $\mu$ A, $V_{OUT}$ = ADJ, DFN, MS Packages, Low Noise < 20 $\mu$ V <sub>RMS(P-P)</sub> , Stable with 1 $\mu$ F Ceramic Capacitors
LT3024	Dual, 100mA/500mA, Low Noise Micropower LDO	$V_{IN}$ : 1.8V to 20V, $V_{OUT(MIN)}$ = 1.22V, $V_{DO}$ = 0.30V, $I_Q$ = 60 $\mu$ A, $I_{SD}$ < 1 $\mu$ A, $V_{OUT}$ = ADJ, DFN, TSSOP Packages, Low Noise < 20 $\mu$ V <sub>RMS(P-P)</sub> , Stable with 1 $\mu$ F Ceramic Capacitors
LTC3025	300mA, Micropower VLDO Linear Regulator	$V_{IN}$ : 0.9V to 5.5V, $V_{OUT(MIN)}$ = 0.4V, 2.7V to 5.5V Bias Voltage Required, $V_{DO}$ = 45mV, $I_Q$ = 50 $\mu$ A, $I_{SD}$ < 1 $\mu$ A, $V_{OUT}$ = ADJ, DFN Packages, Stable with 1 $\mu$ F Ceramic Capacitors
LTC3407	Dual Synchronous 600mA Synchronous Step-Down DC/DC Regulator	1.5MHz Constant Frequency Current Mode Operation, $V_{IN}$ from 2.5V to 5.5V, $V_{OUT}$ Down to 0.6V, DFN, MS Packages
LTC3407-2	Dual Synchronous 800mA Synchronous Step-Down DC/DC Regulator, 2.25MHz	2.25MHz Constant Frequency Current Mode Operation, $V_{IN}$ from 2.5V to 5.5V, $V_{OUT}$ Down to 0.6V, DFN, MS Packages
LTC3445	I <sup>2</sup> C Controllable Buck Regulator with Two LDOs and Backup Battery Input	600mA, 1.5MHz Current Mode Buck Regulator, I <sup>2</sup> C Programmable $V_{OUT}$ from 0.85V to 1.55V, two 50mA LDOs, Backup Battery Input with PowerPath Control, QFN Package
LTC3446	Triple Output Step-Down Converter 1A Output Buck, Two Each 300mA VDLOs	$V_{IN}$ : 2.7V to 5.5V, $V_{OUT(MIN)}$ Buck = 0.8V, $V_{OUT(MIN)}$ VDLO = 0.4 $V_{OUT(MIN)}$ , 14-Pin DFN Package
LTC3448	600mA ( $I_{OUT}$ ), High Efficiency, 1.5MHz/2.25MHz Synchronous Step-Down Regulator with LDO Mode	$V_{IN}$ : 2.7V to 5.5V, $V_{OUT(MIN)}$ = 0.6V, Switches to LDO Mode at $\leq$ 3A, DD8, MS8/E Packages
LTC3541	High Efficiency Buck + VLDO Regulator	$V_{IN}$ : 2.7V to 5.5V, $V_{OUT(MIN)}$ Buck = 0.8V, $V_{OUT(MIN)}$ VLDO = 0.4V, 3mm $\times$ 3mm 10-Pin DFN Package
LTC3548/LTC3548-1 LTC3548-2	Dual 800mA/400mA $I_{OUT}$ , 2.25MHz, Synchronous Step-Down DC/DC Converter	95% Efficiency, $V_{IN}$ : 2.5V to 5.5V, $V_{OUT(MIN)}$ = 0.6V, $I_Q$ = 40 $\mu$ A, $I_{SD}$ < 1 $\mu$ A, DFN and 10-Pin MS Packages
LTC3700	Step-Down DC/DC Controller with LDO Regulator	$V_{IN}$ from 2.65V to 9.8V, Constant Frequency 550kHz Operation

PowerPath is a trademark of Linear Technology Corporation.