
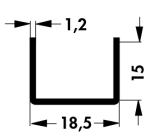
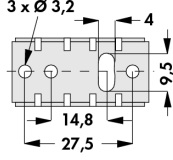
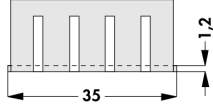


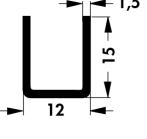
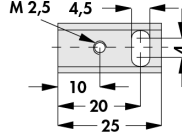
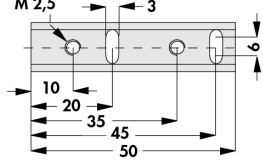


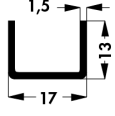
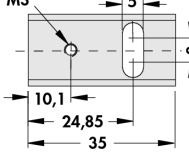
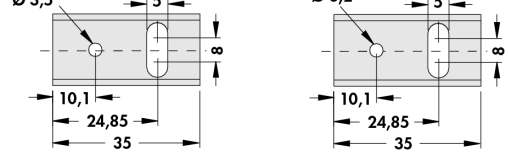


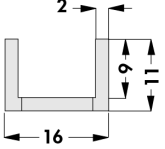
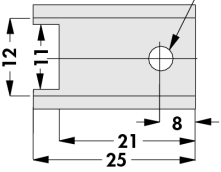
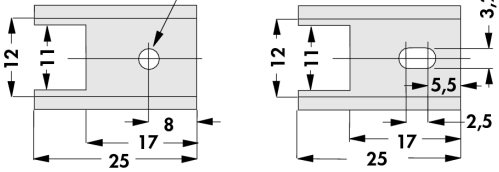



## U-Extruded heatsinks

			
<b>art. no.</b>	$R_{th}$ [K/W]	 TO 220	
<b>ICK 35 SA</b>	15	TO 220	
			
<b>art. no.</b>	$R_{th}$ [K/W]		
<b>SK 12 SA 2 x 32</b>	15	2 x SOT 32	
<b>SK 12 SA 32</b>	30	1 x SOT 32	
			
<b>art. no.</b>	$R_{th}$ [K/W]		
<b>SK 13 35 SA 220</b>	17	TO 220	
<b>SK 13 35 SA 220 3,2</b>	17	TO 220	
<b>SK 13 35 SA 220 3,5</b>	17	TO 220	
			
<b>art. no.</b>	$R_{th}$ [K/W]		
<b>SK 431-1</b>	18	TO 220	
<b>SK 431-2</b>	18	TO 220	
<b>SK 431-3</b>	18	TO 220	

surface treatment: black anodised