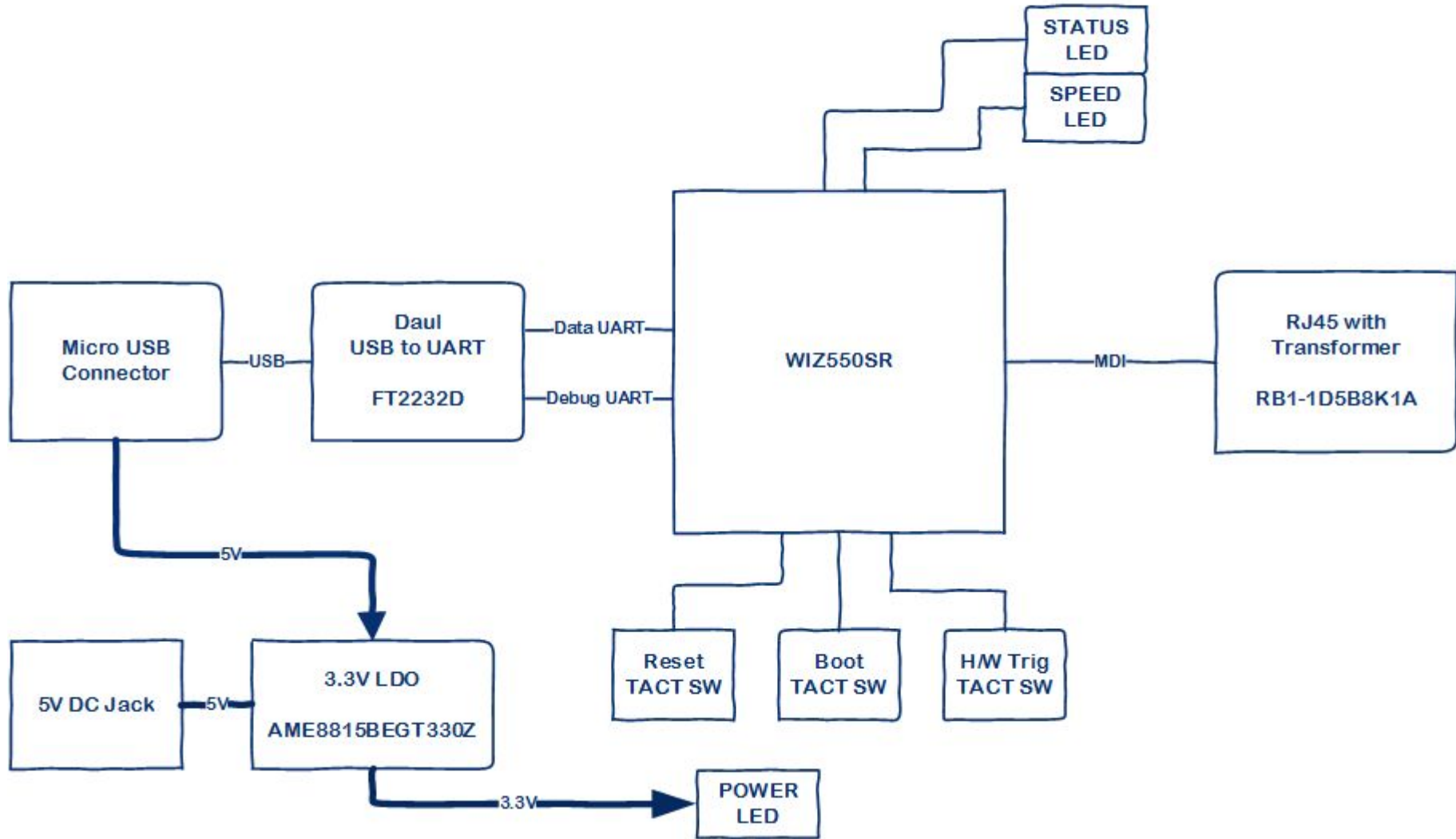
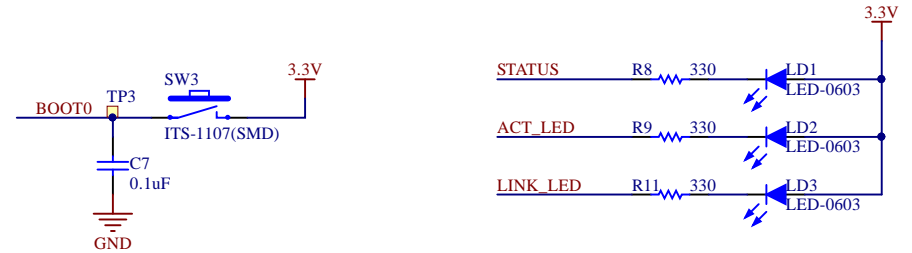
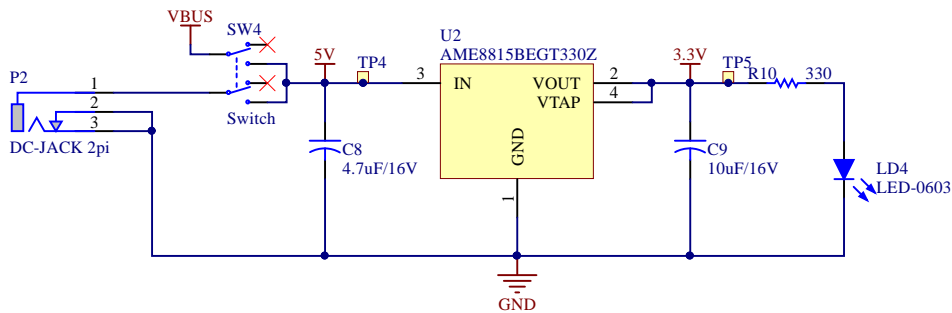
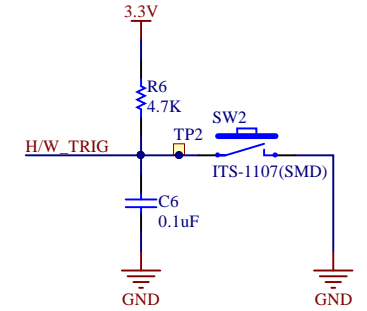
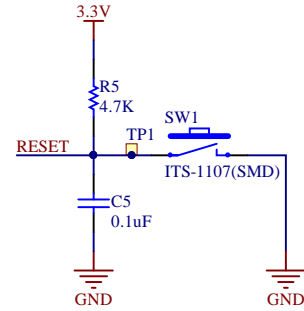
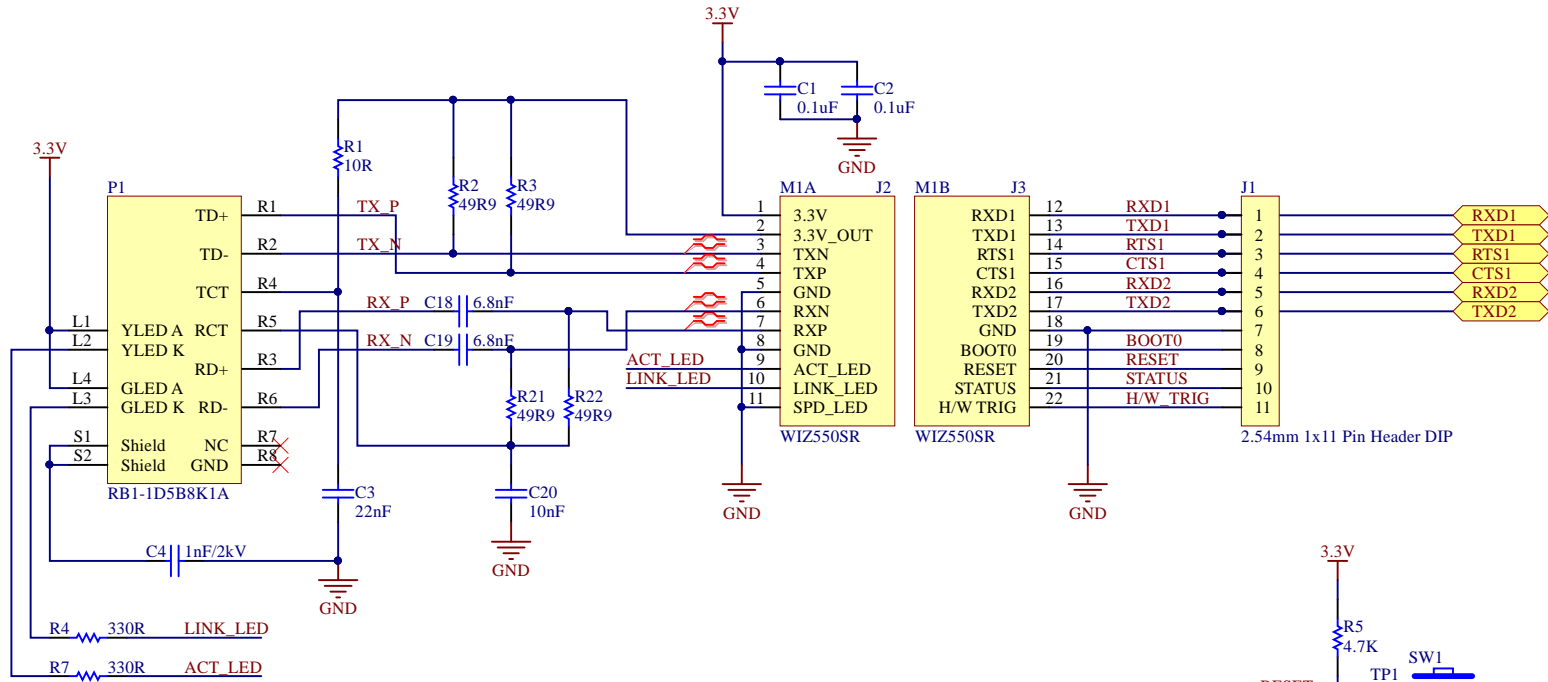


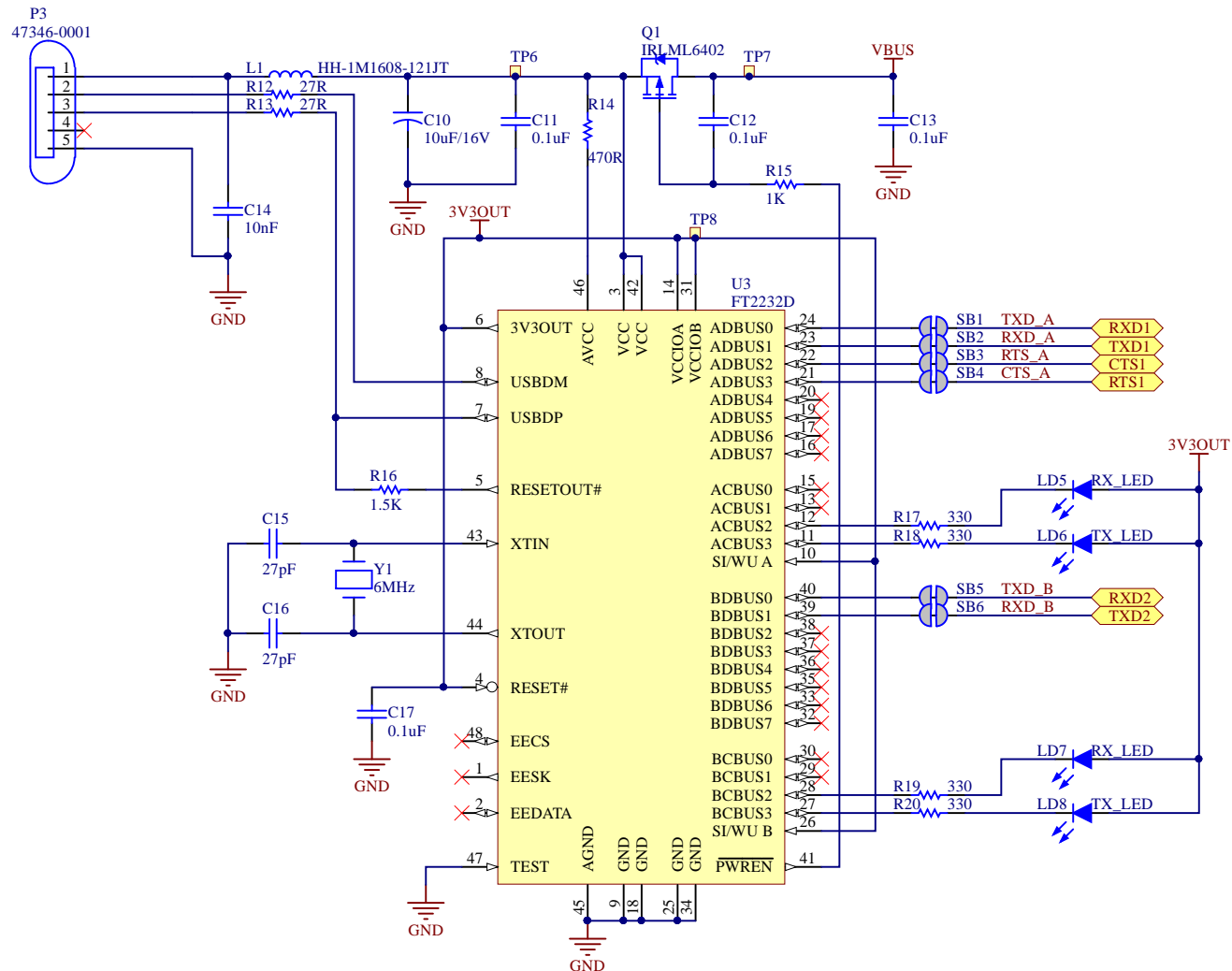
WIZ550SR EVB Block Diagram



Title WIZ550SR EVB		WIZnet Co., Ltd. 5F, Humax Village	Cannot open file C:\Users\Public\Documents\Altium\AD14\Templates\IOP_IoT logo.png
Name : BlockDiagram.SchDoc	Revision:V1.0	Hwangseoul-ro, Bundang-gu	
Date: 2016-05-23	Sheet 0 of 2	Seongnam-si, Gyeonggi-do	
Team: Team Wiki	Drawn By: Scott	South Korea	



Title WIZ550SR EVB		WIZnet Co., Ltd. 5F, Humax Village Hwangseaul-ro, Bundang-gu Seongnam-si, Gyeonggi-do South Korea	Cannot open file C:\Users\Public\Documents\Altium\AD14\Templates\IOP_IoT logo.png
Name : WIZ550SR.SchDoc	Revision:V1.0		
Date: 2016-05-23	Sheet 1 of 2		
Team: Team Wiki	Drawn By: Scott		



Title WIZ550SR EVB		WIZnet Co., Ltd. 5F, Humax Village Hwangseaul-ro, Bundang-gu Seongnam-si, Gyeonggi-do South Korea	Cannot open file C:\Users\Public\Documents\Altium\AD14\Templates\IOP_IoT logo.png
Name : USBtoUART.SchDoc	Revision:V100		
Date: 2016-05-23	Sheet 2 of 2		
Team: team	Drawn By: Scott		