

---

**80 W high performance transition mode PFC evaluation board  
based on L6562A**

---

Data brief

**Description**

The L6562A is a current-mode PFC controller operating in transition mode (TM). With the same pinout as its L6562 predecessor, the L6562A offers improved performance mainly in terms of efficiency and noise immunity.

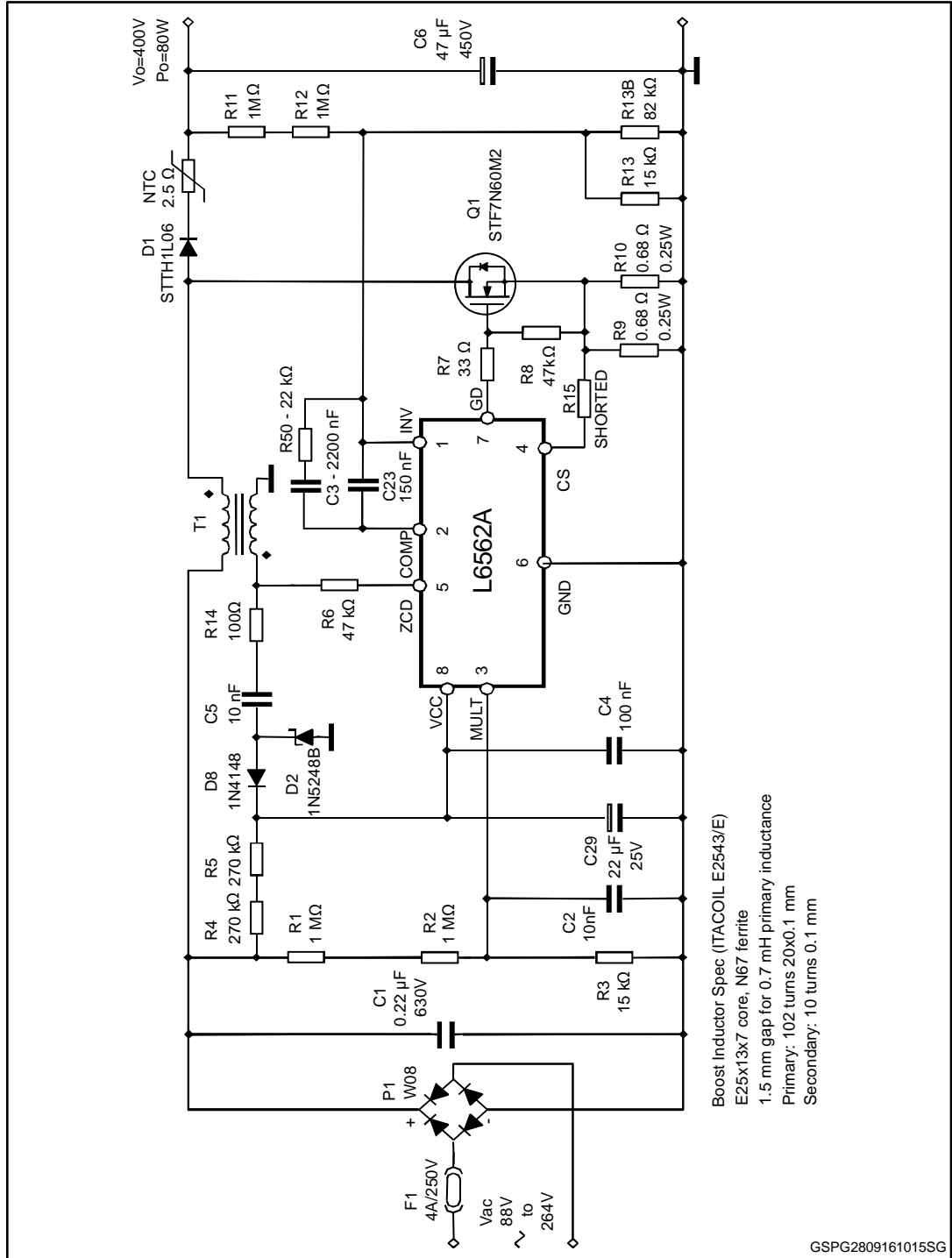
The STEVAL-ISA102V2 implements an 80 W, wide-range mains input and a PFC pre-conditioner suitable for lighting, adapters, consumer smps, etc.

**Features**

- Line voltage range: 88 to 265 V<sub>AC</sub>
- Minimum line frequency (f<sub>L</sub>): 47 Hz
- Regulated output voltage: 400 V
- Rated output power: 80 W
- Maximum 2f<sub>L</sub> output voltage ripple: 10 V pk-pk
- Hold-up time: 20 ms (V<sub>DROP</sub> after hold-up time: 300 V)
- Minimum switching frequency: 35 kHz
- Minimum estimated efficiency: 92% (V<sub>IN</sub> = 90 V<sub>AC</sub>, P<sub>OUT</sub> = 80 W)
- Maximum ambient temperature: 50 °C
- PCB type and size: single-side, 35 µm, CEM-1, 108 x 57 mm
- RoHS compliant

# 1 Schematic diagram

Figure 1: STEVAL-ISA102V2 circuit schematic



## 2 Revision history

Table 1: Document revision history

Date	Version	Changes
29-Sep-2016	1	Initial release.

**IMPORTANT NOTICE – PLEASE READ CAREFULLY**

STMicroelectronics NV and its subsidiaries ("ST") reserve the right to make changes, corrections, enhancements, modifications, and improvements to ST products and/or to this document at any time without notice. Purchasers should obtain the latest relevant information on ST products before placing orders. ST products are sold pursuant to ST's terms and conditions of sale in place at the time of order acknowledgement.

Purchasers are solely responsible for the choice, selection, and use of ST products and ST assumes no liability for application assistance or the design of Purchasers' products.

No license, express or implied, to any intellectual property right is granted by ST herein.

Resale of ST products with provisions different from the information set forth herein shall void any warranty granted by ST for such product.

ST and the ST logo are trademarks of ST. All other product or service names are the property of their respective owners.

Information in this document supersedes and replaces information previously supplied in any prior versions of this document.

© 2016 STMicroelectronics – All rights reserved