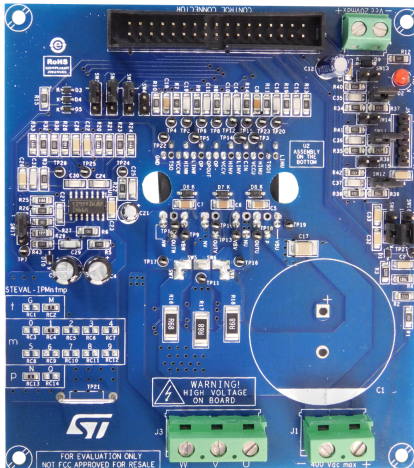


60 W motor control power board based on STIPN1M50T-H SLLIMM™ nano IPM MOSFET



Features

- Input voltage: from 125 to 400 V_{DC}
- Nominal power: up to 60 W
- Nominal current: up to 0.35 Arms
- Input auxiliary voltage: up to 20 V_{DC}
- Single- or three-shunt resistors for current sensing (with sensing network)
- Three options for current sensing: dedicated external op-amps, internal SLLIMM-nano op-amp (single) or via MCU
- Overcurrent hardware protection
- IPM temperature monitoring and protection
- Hall sensor or encoder input
- Intelligent power module:
 - SLLIMM-nano IPM MOSFET-based (STIPN1M50T-H – full molded package)
- Motor control connector (32 pins) interfacing with ST MCU boards
- Universal design for further evaluation with bread board and testing pins
- Very compact size
- RoHS compliant

Description

The **STEVAL-IPMnM1N** is a compact motor drive power board based on SLLIMM™-nano (small low-loss intelligent molded module) 2nd series MOSFET-based product (**STIPN1M50T-H**). It provides an affordable and easy-to-use solution for driving high power motors in a wide range of applications such as power white goods, air conditioning, compressors, power fans and 3-phase inverters for motor drives in general.

The IPM itself consists of short-circuit rugged MOSFETs and a wide range of features like undervoltage lockout, smart shutdown, internal temperature sensor and NTC, overcurrent protection and internal op-amp.

The main characteristics of this evaluation board are small size, minimal BOM and high efficiency. It features an interface circuit (BUS and V_{CC} connectors), bootstrap capacitors, snubber capacitor, hardware short-circuit protection, fault event signal and temperature monitoring. It is designed to work in single- or three-shunt configuration and with triple current sensing options: three dedicated on-board op-amps, op-amps embedded on MCU or single internal IPM op-amp. The Hall/Encoder part completes the circuit.

The system is designed to achieve accurate and fast conditioning of current feedback to satisfy the typical requirements for field oriented control (FOC).

The STEVAL-IPMnM1N is compatible with ST's control board based on STM32, providing a complete platform for motor control.

Product summary	
Compact motor drive power board	STEVAL-IPMnM1N
SLLIMM-nano small low-loss intelligent molded module IPM, 3-phase inverter, 1 A, 3.6 Ohm max., 500 V MOSFET	STIPN1M50T-H

1 Schematic diagrams

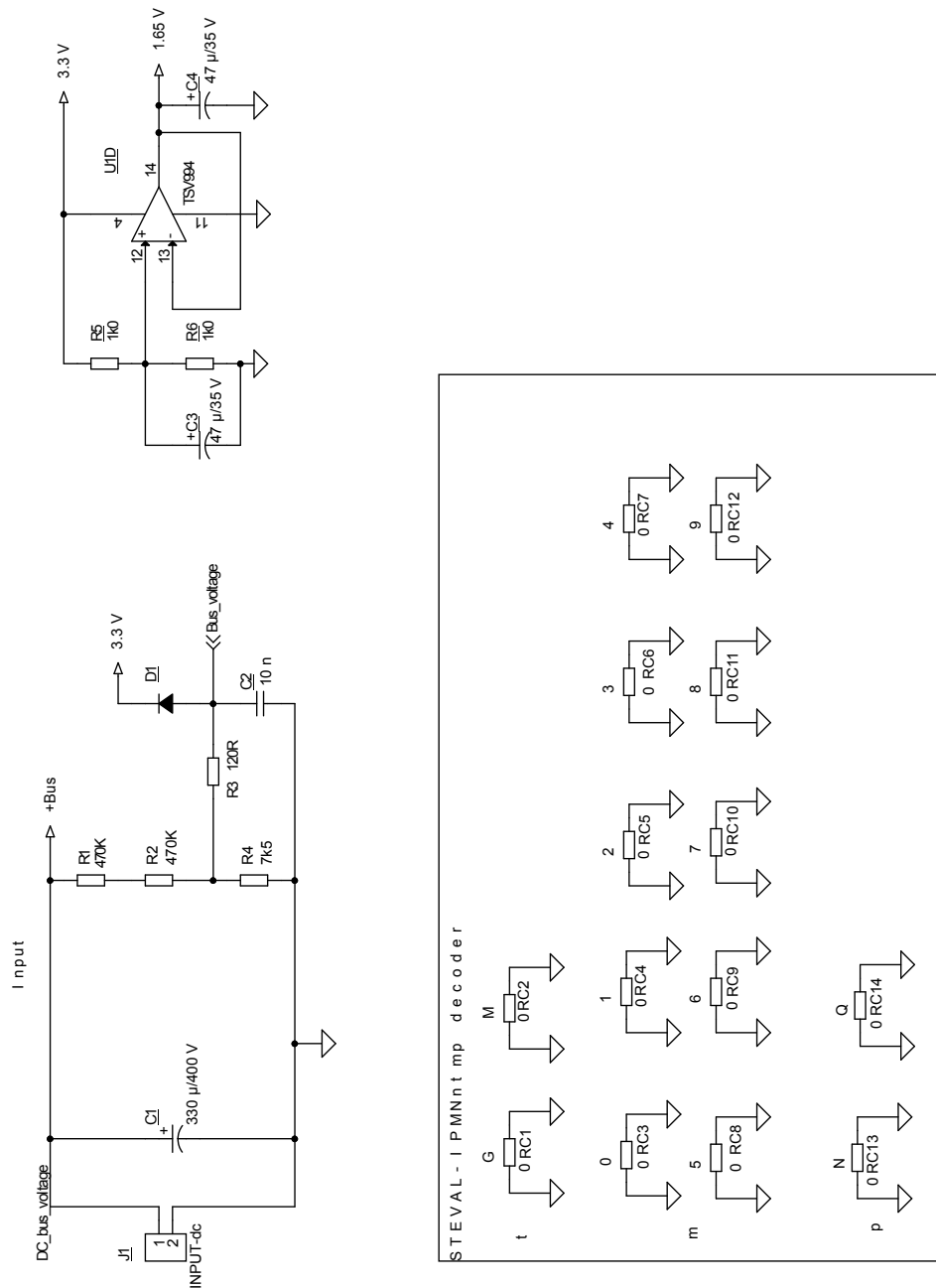
Figure 2. STEVAL-IPMnM1N circuit schematic (1 of 5)


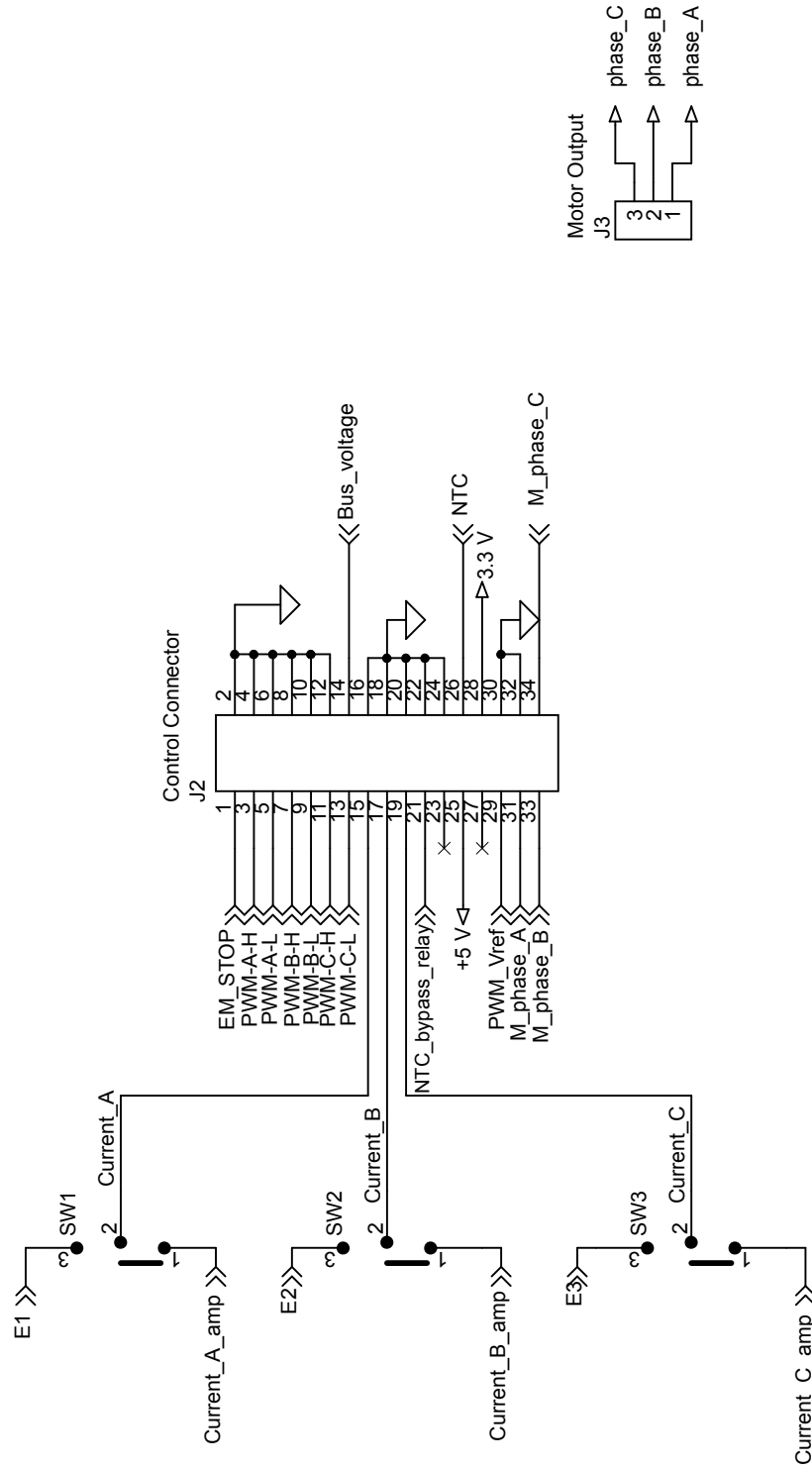
Figure 3. STEVAL-IPMnM1N circuit schematic (2 of 5)


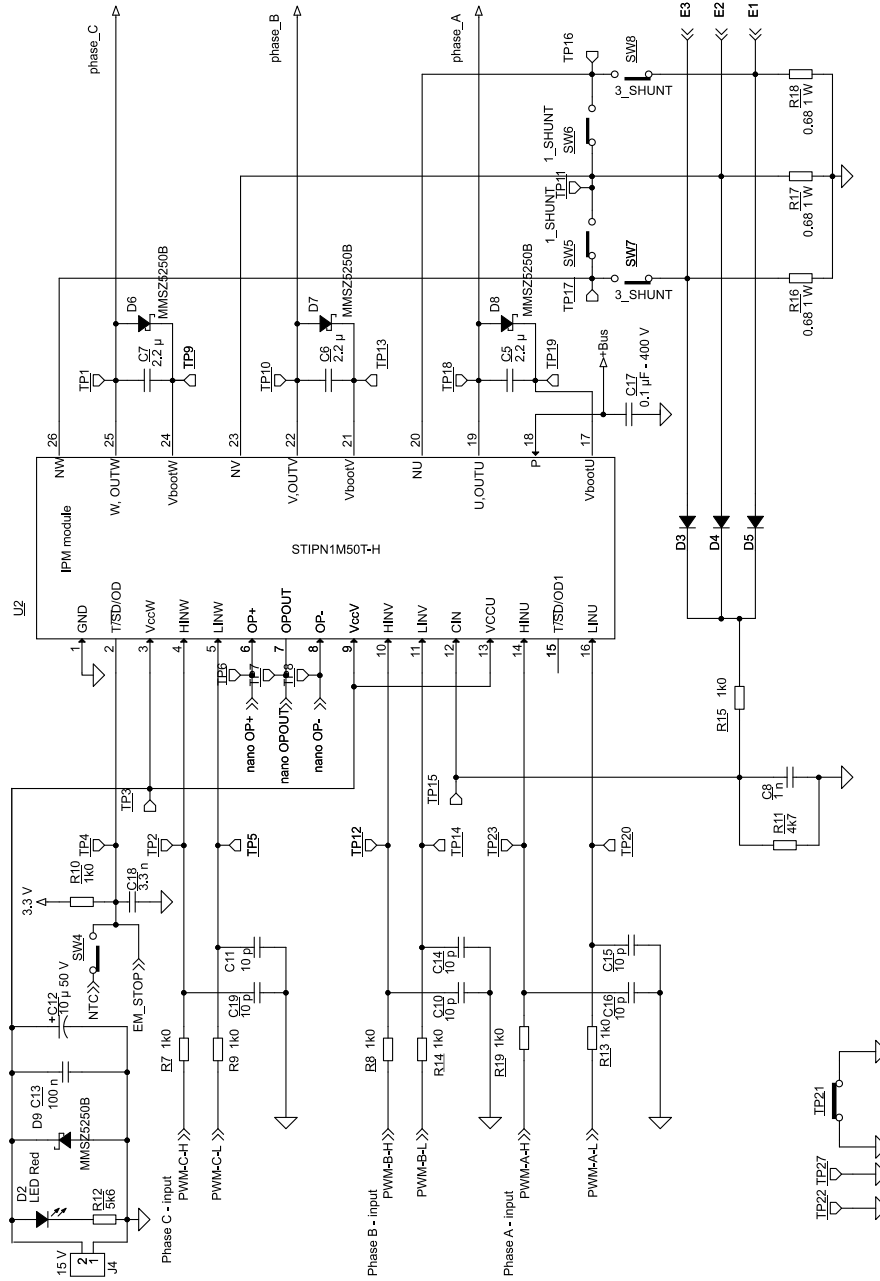
Figure 4. STEVAL-IPMnM1N circuit schematic (3 of 5)


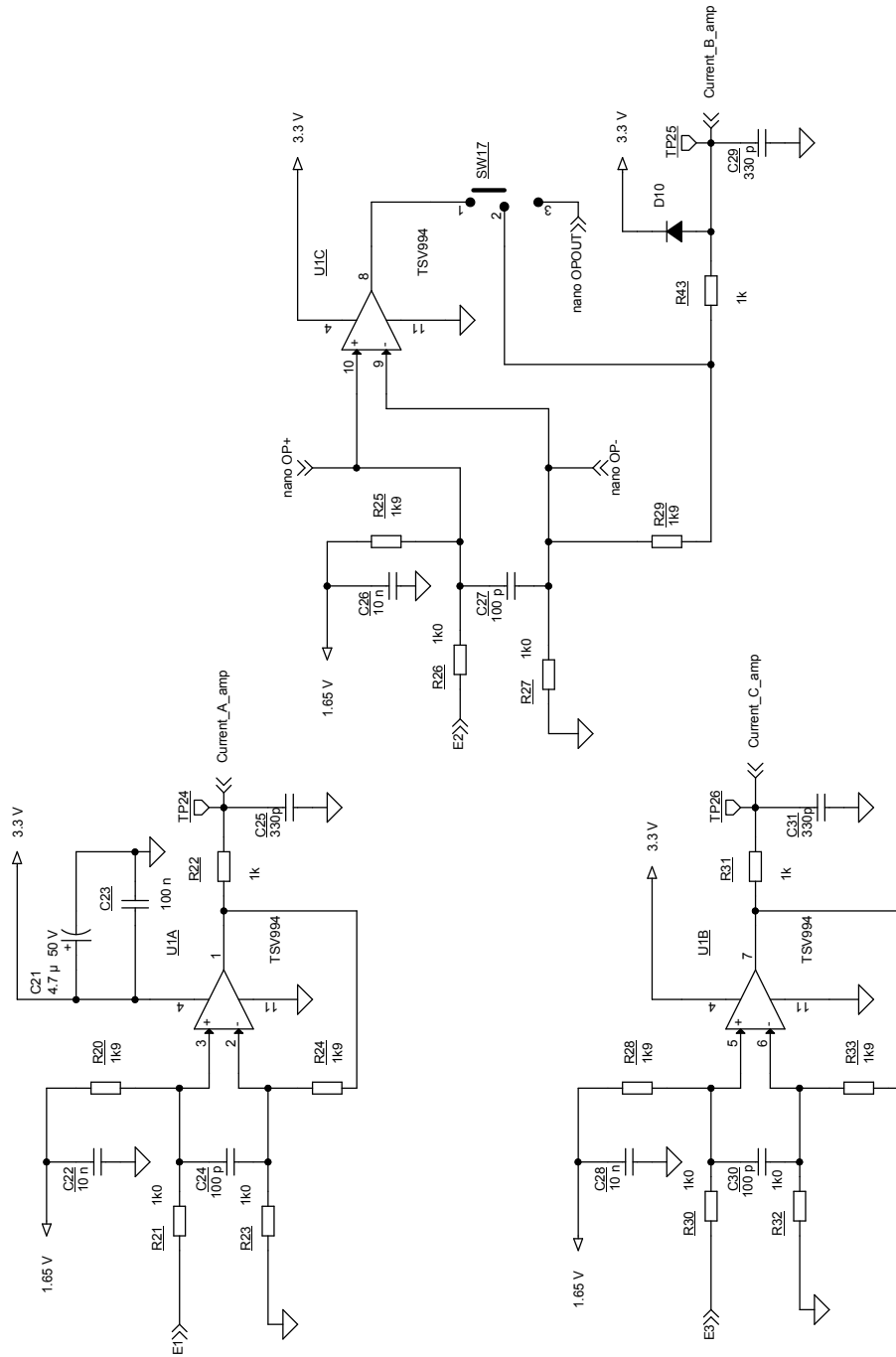
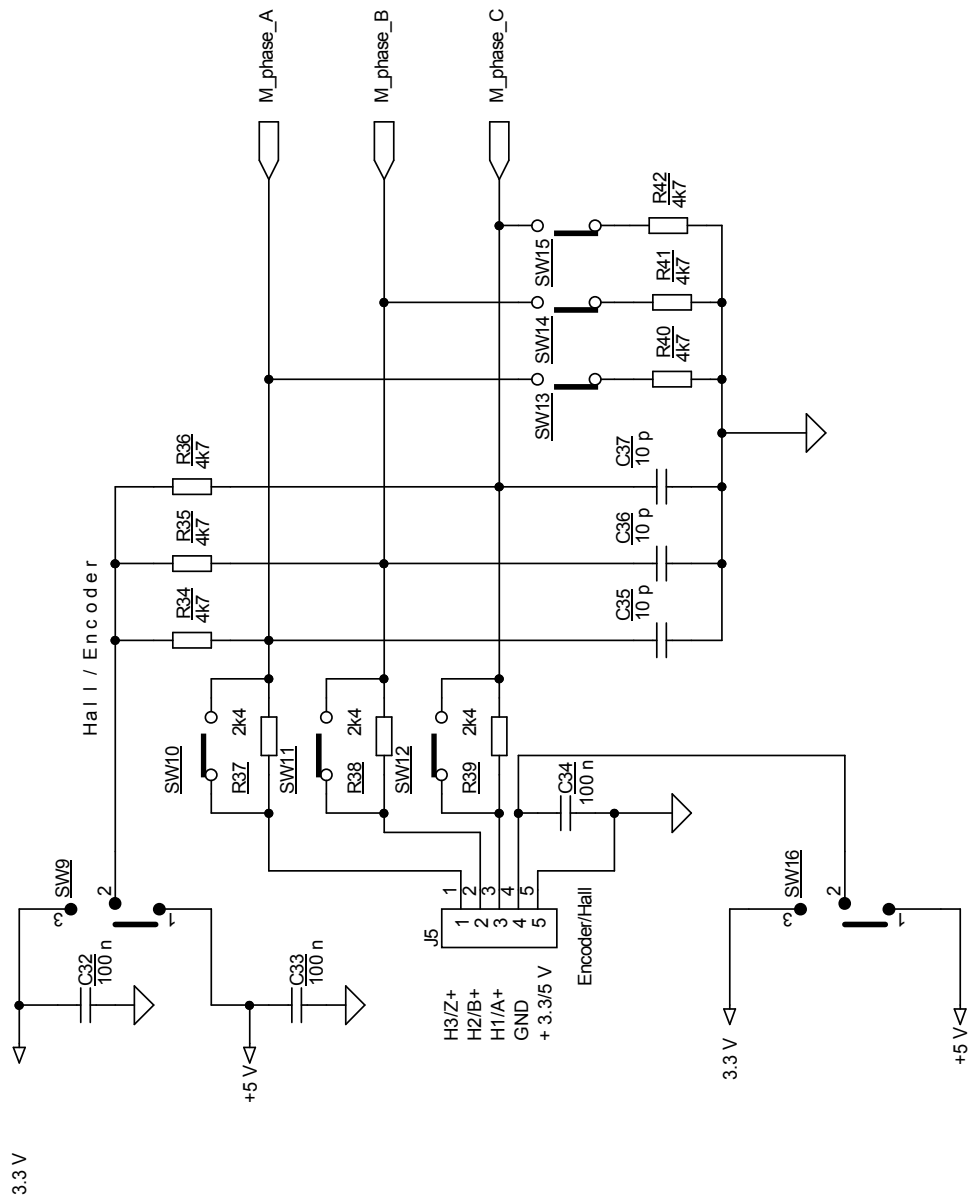
Figure 5. STEVAL-IPMnM1N circuit schematic (4 of 5)


Figure 6. STEVAL-IPMnM1N circuit schematic (5 of 5)


Revision history

Table 1. Document revision history

Date	Version	Changes
05-Sep-2017	1	Initial release.
03-Apr-2018	2	Updated title.

IMPORTANT NOTICE – PLEASE READ CAREFULLY

STMicroelectronics NV and its subsidiaries (“ST”) reserve the right to make changes, corrections, enhancements, modifications, and improvements to ST products and/or to this document at any time without notice. Purchasers should obtain the latest relevant information on ST products before placing orders. ST products are sold pursuant to ST’s terms and conditions of sale in place at the time of order acknowledgement.

Purchasers are solely responsible for the choice, selection, and use of ST products and ST assumes no liability for application assistance or the design of Purchasers’ products.

No license, express or implied, to any intellectual property right is granted by ST herein.

Resale of ST products with provisions different from the information set forth herein shall void any warranty granted by ST for such product.

ST and the ST logo are trademarks of ST. All other product or service names are the property of their respective owners.

Information in this document supersedes and replaces information previously supplied in any prior versions of this document.

© 2018 STMicroelectronics – All rights reserved