



# **MTCH108 Demonstration Board User's Guide**

---

**Note the following details of the code protection feature on Microchip devices:**

- Microchip products meet the specification contained in their particular Microchip Data Sheet.
- Microchip believes that its family of products is one of the most secure families of its kind on the market today, when used in the intended manner and under normal conditions.
- There are dishonest and possibly illegal methods used to breach the code protection feature. All of these methods, to our knowledge, require using the Microchip products in a manner outside the operating specifications contained in Microchip's Data Sheets. Most likely, the person doing so is engaged in theft of intellectual property.
- Microchip is willing to work with the customer who is concerned about the integrity of their code.
- Neither Microchip nor any other semiconductor manufacturer can guarantee the security of their code. Code protection does not mean that we are guaranteeing the product as "unbreakable."

Code protection is constantly evolving. We at Microchip are committed to continuously improving the code protection features of our products. Attempts to break Microchip's code protection feature may be a violation of the Digital Millennium Copyright Act. If such acts allow unauthorized access to your software or other copyrighted work, you may have a right to sue for relief under that Act.

---

Information contained in this publication regarding device applications and the like is provided only for your convenience and may be superseded by updates. It is your responsibility to ensure that your application meets with your specifications. MICROCHIP MAKES NO REPRESENTATIONS OR WARRANTIES OF ANY KIND WHETHER EXPRESS OR IMPLIED, WRITTEN OR ORAL, STATUTORY OR OTHERWISE, RELATED TO THE INFORMATION, INCLUDING BUT NOT LIMITED TO ITS CONDITION, QUALITY, PERFORMANCE, MERCHANTABILITY OR FITNESS FOR PURPOSE. Microchip disclaims all liability arising from this information and its use. Use of Microchip devices in life support and/or safety applications is entirely at the buyer's risk, and the buyer agrees to defend, indemnify and hold harmless Microchip from any and all damages, claims, suits, or expenses resulting from such use. No licenses are conveyed, implicitly or otherwise, under any Microchip intellectual property rights unless otherwise stated.

**Trademarks**

The Microchip name and logo, the Microchip logo, dsPIC, FlashFlex, flexPWR, JukeBlox, KEELOQ, KEELOQ logo, Kleer, LANCheck, MediaLB, MOST, MOST logo, MPLAB, OptoLyzer, PIC, PICSTART, PIC<sup>32</sup> logo, RightTouch, SpyNIC, SST, SST Logo, SuperFlash and UNI/O are registered trademarks of Microchip Technology Incorporated in the U.S.A. and other countries.

The Embedded Control Solutions Company and mTouch are registered trademarks of Microchip Technology Incorporated in the U.S.A.

Analog-for-the-Digital Age, BodyCom, chipKIT, chipKIT logo, CodeGuard, dsPICDEM, dsPICDEM.net, ECAN, In-Circuit Serial Programming, ICSP, Inter-Chip Connectivity, KleerNet, KleerNet logo, MiWi, motorBench, MPASM, MPF, MPLAB Certified logo, MPLIB, MPLINK, MultiTRAK, NetDetach, Omniscient Code Generation, PICDEM, PICDEM.net, PICkit, PICtail, RightTouch logo, REAL ICE, SQI, Serial Quad I/O, Total Endurance, TSHARC, USBCheck, VariSense, ViewSpan, WiperLock, Wireless DNA, and ZENA are trademarks of Microchip Technology Incorporated in the U.S.A. and other countries.

SQTP is a service mark of Microchip Technology Incorporated in the U.S.A.

Silicon Storage Technology is a registered trademark of Microchip Technology Inc. in other countries.

GestIC is a registered trademark of Microchip Technology Germany II GmbH & Co. KG, a subsidiary of Microchip Technology Inc., in other countries.

All other trademarks mentioned herein are property of their respective companies.

© 2015, Microchip Technology Incorporated, Printed in the U.S.A., All Rights Reserved.

ISBN: 978-1-5224-0093-6

**QUALITY MANAGEMENT SYSTEM  
CERTIFIED BY DNV  
= ISO/TS 16949 =**

*Microchip received ISO/TS-16949:2009 certification for its worldwide headquarters, design and wafer fabrication facilities in Chandler and Tempe, Arizona; Gresham, Oregon and design centers in California and India. The Company's quality system processes and procedures are for its PIC<sup>®</sup> MCUs and dsPIC<sup>®</sup> DSCs, KEELOQ<sup>®</sup> code hopping devices, Serial EEPROMs, microperipherals, nonvolatile memory and analog products. In addition, Microchip's quality system for the design and manufacture of development systems is ISO 9001:2000 certified.*



# MTCH108 DEMONSTRATION BOARD USER'S GUIDE

---

---

## Table of Contents

---

---

<b>Preface</b> .....	<b>5</b>
<b>Chapter 1. MTCH108 Demonstration Board Overview</b>	
1.1 Introduction .....	11
1.1.1 Kit items .....	11
1.2 Hardware Setup .....	11
1.2.1 On-Board Touch Buttons .....	12
1.2.2 Power-up .....	12
1.2.3 Touch Sensitivity and Power Mode Adjustment .....	12
1.2.4 LED Feedback .....	13
<b>Chapter 2. Other Configurations</b>	
2.1 Introduction .....	15
2.1.1 Evaluate MTCH102/105/108 .....	15
2.1.2 Guard Enable/Disable .....	15
<b>Appendix A. MTCH108 Controller Board Schematic</b>	
<b>Appendix B. MTCH108 Controller Board Layout</b>	
<b>Worldwide Sales and Service</b> .....	<b>21</b>

# MTCH108 Demonstration Board User's Guide

---

NOTES:

---

---

## Preface

---

---

### NOTICE TO CUSTOMERS

All documentation becomes dated, and this manual is no exception. Microchip tools and documentation are constantly evolving to meet customer needs, so some actual dialogs and/or tool descriptions may differ from those in this document. Please refer to our website ([www.microchip.com](http://www.microchip.com)) to obtain the latest documentation available.

Documents are identified with a “DS” number. This number is located on the bottom of each page, in front of the page number. The numbering convention for the DS number is “DSXXXXA”, where “XXXX” is the document number and “A” is the revision level of the document.

For the most up-to-date information on development tools, see the MPLAB® IDE online help. Select the Help menu, and then Topics to open a list of available online help files.

## INTRODUCTION

This chapter contains general information that will be useful to know before using the MTCH108 Demonstration Board User's Guide. Items discussed in this chapter include:

- Document Layout
- Conventions Used in this Guide
- Recommended Reading
- The Microchip Website
- Development Systems Customer Change Notification Service
- Customer Support
- Revision History

## DOCUMENT LAYOUT

This document describes how to use the MTCH108 Demonstration Board. The document is organized as follows:

- **Chapter 1. “MTCH108 Demonstration Board Overview”**
- **Chapter 2. “Other Configurations”**
- **Appendix A. “MTCH108 Controller Board Schematic”**
- **Appendix B. “MTCH108 Controller Board Layout”**

# MTCH108 Demonstration Board User's Guide

## CONVENTIONS USED IN THIS GUIDE

This manual uses the following documentation conventions:

### DOCUMENTATION CONVENTIONS

Description	Represents	Examples
<b>Arial font:</b>		
Italic characters	Referenced books	<i>MPLAB<sup>®</sup> IDE User's Guide</i>
	Emphasized text	...is the <i>only</i> compiler...
Initial caps	A window	the Output window
	A dialog	the Settings dialog
	A menu selection	select Enable Programmer
Quotes	A field name in a window or dialog	"Save project before build"
Underlined, italic text with right angle bracket	A menu path	<u><i>File&gt;Save</i></u>
Bold characters	A dialog button	Click <b>OK</b>
	A tab	Click the <b>Power</b> tab
N'Rnnnn	A number in verilog format, where N is the total number of digits, R is the radix and n is a digit.	4'b0010, 2'hF1
Text in angle brackets < >	A key on the keyboard	Press <Enter>, <F1>
<b>Courier New font:</b>		
Plain Courier New	Sample source code	#define START
	Filenames	autoexec.bat
	File paths	c:\mcc18\h
	Keywords	_asm, _endasm, static
	Command-line options	-Opa+, -Opa-
	Bit values	0, 1
	Constants	0xFF, 'A'
Italic Courier New	A variable argument	<i>file.o</i> , where <i>file</i> can be any valid filename
Square brackets [ ]	Optional arguments	mcc18 [options] <i>file</i> [options]
Curly brackets and pipe character: {   }	Choice of mutually exclusive arguments; an OR selection	errorlevel {0 1}
Ellipses...	Replaces repeated text	var_name [, var_name...]
	Represents code supplied by user	void main (void) { ... }

## RECOMMENDED READING

This user's guide describes how to use Microchip's MTCH108 Demonstration Board. Other useful documents are listed below. The following Microchip documents are available and recommended as supplemental reference resources.

<http://www.microchip.com>

**“MTCH102/5/8 2, 5 and 8-Channel Proximity/Touch Controller” Data Sheet (DS40001793)**

This data sheet provides detailed information regarding the MTCH108 Demonstration Board.

# MTCH108 Demonstration Board User's Guide

---

## THE MICROCHIP WEBSITE

Microchip provides online support via our website at [www.microchip.com](http://www.microchip.com). This website is used as a means to make files and information easily available to customers. Accessible by using your favorite Internet browser, the website contains the following information:

- **Product Support** – Data sheets and errata, application notes and sample programs, design resources, user's guides and hardware support documents, latest software releases and archived software
- **General Technical Support** – Frequently Asked Questions (FAQs), technical support requests, online discussion groups, Microchip consultant program member listing
- **Business of Microchip** – Product selector and ordering guides, latest Microchip press releases, listing of seminars and events, listings of Microchip sales offices, distributors and factory representatives

## DEVELOPMENT SYSTEMS CUSTOMER CHANGE NOTIFICATION SERVICE

Microchip's customer notification service helps keep customers current on Microchip products. Subscribers will receive e-mail notification whenever there are changes, updates, revisions or errata related to a specified product family or development tool of interest.

To register, access the Microchip website at [www.microchip.com](http://www.microchip.com), click on Customer Change Notification and follow the registration instructions.

The Development Systems product group categories are:

- **Compilers** – The latest information on Microchip C compilers, assemblers, linkers and other language tools. These include all MPLAB C compilers; all MPLAB assemblers (including MPASM™ assembler); all MPLAB linkers (including MPLINK™ object linker); and all MPLAB librarians (including MPLIB™ object librarian).
- **Emulators** – The latest information on Microchip in-circuit emulators. This includes the MPLAB REAL ICE™ and MPLAB ICE 2000 in-circuit emulators.
- **In-Circuit Debuggers** – The latest information on the Microchip in-circuit debuggers. This includes MPLAB ICD 3 in-circuit debuggers and PICKit™ 3 debug express.
- **MPLAB® IDE** – The latest information on Microchip MPLAB IDE, the Windows® Integrated Development Environment for development systems tools. This list is focused on the MPLAB IDE, MPLAB IDE Project Manager, MPLAB Editor and MPLAB SIM simulator, as well as general editing and debugging features.
- **Programmers** – The latest information on Microchip programmers. These include production programmers such as MPLAB REAL ICE in-circuit emulator, MPLAB ICD 3 in-circuit debugger and MPLAB PM3 device programmers. Also included are nonproduction development programmers such as PICSTART® Plus and PICKit 2 and 3.



## CUSTOMER SUPPORT

Users of Microchip products can receive assistance through several channels:

- Distributor or Representative
- Local Sales Office
- Field Application Engineer (FAE)
- Technical Support

Customers should contact their distributor, representative or field application engineer (FAE) for support. Local sales offices are also available to help customers. A listing of sales offices and locations is included in the back of this document.

Technical support is available through the website at:

<http://www.microchip.com/support>.

## REVISION HISTORY

### **Revision A (12/2015)**

Initial release of this document.

# MTCH108 Demonstration Board User's Guide

---

NOTES:

---

---

## Chapter 1. MTCH108 Demonstration Board Overview

---

---

### 1.1 INTRODUCTION

The MTCH108 Demonstration Board is a very fast and convenient platform to evaluate the MTCH102/105/108 capacitive touch button/proximity solution, and also works as an example for sensor layout and integration with host. The board features up to eight touch buttons with adjustable scan rate and sensitivity, providing touch feedback using LEDs.

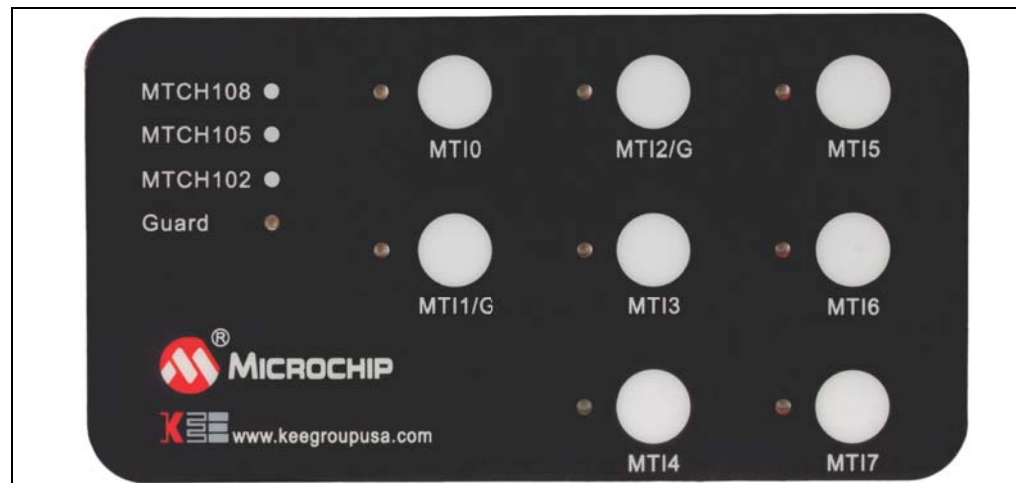
#### 1.1.1 Kit items

- MTCH108 Controller Board with Touch Buttons
- Mini USB Cable

### 1.2 HARDWARE SETUP

The MTCH108 Demonstration Board uses an MTCH108 controller to detect touch/proximity event on buttons. There is also a preprogrammed PIC10 controller working as a host to control the scan rate of the MTCH108 controller.

**FIGURE 1-1: MTCH108 DEMONSTRATION BOARD**



# MTCH108 Demonstration Board User's Guide

## 1.2.1 On-Board Touch Buttons

There are eight touch buttons implemented on this board, which are 8 mm in diameter. All buttons are encircled by active guard by default.

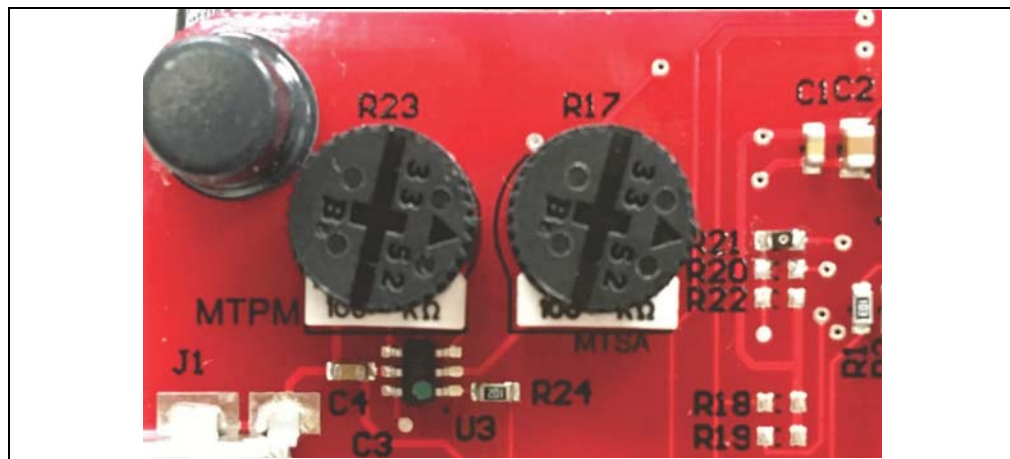
## 1.2.2 Power-up

The MTCH108 Demonstration Board is powered through the mini USB connector on the left edge of the board. The voltage (5V) from the USB port is then regulated down to 3.3V by the MPC1700 LDO. The USB connector is not used for any kind of communication.

## 1.2.3 Touch Sensitivity and Power Mode Adjustment

At the top left corner of the back side, there are two potentiometers that allow alternation of the Sensitivity and Power mode of the buttons, as shown in [Figure 1-2](#).

**FIGURE 1-2: SENSITIVITY AND POWER MODE BUTTONS**



The R17 pin is connected to the MTSA pin of MTCH108 and it directly sets the voltage of the MTSA pin. Dialing the knob to the right will lower the button sensitivity; dialing it to the left will increase the sensitivity.

The R23 pin is used for Power mode adjustment and it is not directly connected to the MTPM pin. The potentiometer affects the voltage on an analog pin of the PIC10 controller. The PIC10 has one pin connect to the MTPM pin of MTCH108, so based on the voltage set by R23, PIC10 generates a waveform to control the MTPM pin.

- If dialing the knob to the most right position, the MTPM pin of MTCH108 receives a steady high waveform, so the MTCH108 controller works at the Normal mode, scanning as fast as it can.
- If dialing the knob to the most left position, the MTPM pin receives a steady low waveform, setting the MTCH108 controller at the Low-Power mode, which scans every 256 ms.
- If the position of the potentiometer is somewhere between the two ends, the MTPM pin receives a pulse waveform, putting the MTCH108 controller into the Smart-Scheduling mode. The pulse interval is preset by the PIC10 firmware, including 32 ms, 64 ms, 96 ms, 128 ms, 160 ms, 192 ms and 224 ms.

For further information on the MTSA and the MTPM pin function, refer to the “*MTCH102/5/8 2, 5 and 8-Channel Proximity/Touch Controller Data sheet*” (DS40001793).

# MTCH108 Demonstration Board Overview

---

## 1.2.4 LED Feedback

LEDs are used to provide visual feedback for touch configuration and information.

The LEDs to the right of the MTCH102, MTCH105 and MTCH108 labels indicates which part is populated on this board; by default, MTCH108 is selected.

The LED to the right of the Guard label indicates if the Guard feature is enabled on this board. If the Guard is enabled, this LED will be on when the PIC10 detects the Guard waveform. At the same time, it also provides a visual indication of the scan rate.

The LED next to each touch button indicates the state of the touch button. When the button is triggered, the LED will be lit up.

By default, the board has the Guard feature enabled, so the MTI2 pin outputs the Guard signal instead of behaving as a touch sensor. Therefore, the LED next to the MTI2/G button is not used.

# MTCH108 Demonstration Board User's Guide

---

NOTES:

---

---

**Chapter 2. Other Configurations**

---

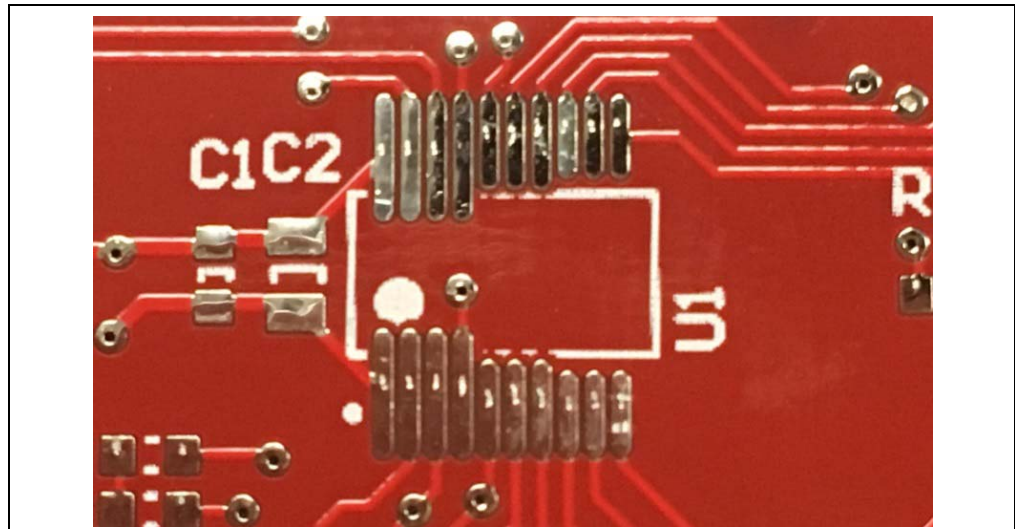
---

**2.1 INTRODUCTION**

In addition to the default behavior, the MTCH108 board can be reconfigured to evaluate different instances of usage.

**2.1.1 Evaluate MTCH102/105/108**

Because of the same pitch for the xSOP packages that MTCH102/105/108 uses, the board has the footprint to adapt the packages for all three MTCH10X devices, as shown in [Figure 2-1](#).

**FIGURE 2-1: MTCH102/105/108 FOOTPRINT**

The MTCH108 (SSOP) package can be replaced with the MTCH102 (MSOP) or the MTCH105 (TSSOP) package and all the parts share the same pin 1 on the footprint. The MTCH102 and MTCH105 devices should work immediately after replacement. Also, it is recommended to populate the part indication LED to the corresponding places (D10 for MTCH102, D11 for MTCH105 and D12 for MTCH108).

**2.1.2 Guard Enable/Disable**

As described in the previous chapter, the Guard feature is enabled by default, so the sensor input for MTCH108 is limited to seven channels. The configuration can be changed by adding and removing certain jump resistors (0 $\Omega$ ). All the resistors mentioned below are 0 $\Omega$  resistors, except for R10 (10 k $\Omega$ ).

To evaluate the full eight buttons without Guard, remove R19, R21, and populate R22, R11 to disable the Guard feature and enable the LED for the MT12 button. This also applies for the configuration of the MTCH105 device.

If MTCH102 is populated, the setting is different. For two buttons without Guard, remove R1, populate R22, and ensure R18 is not populated. For one button with Guard configuration, remove R10, R22 and populate R18 and R20.

# MTCH108 Demonstration Board User's Guide

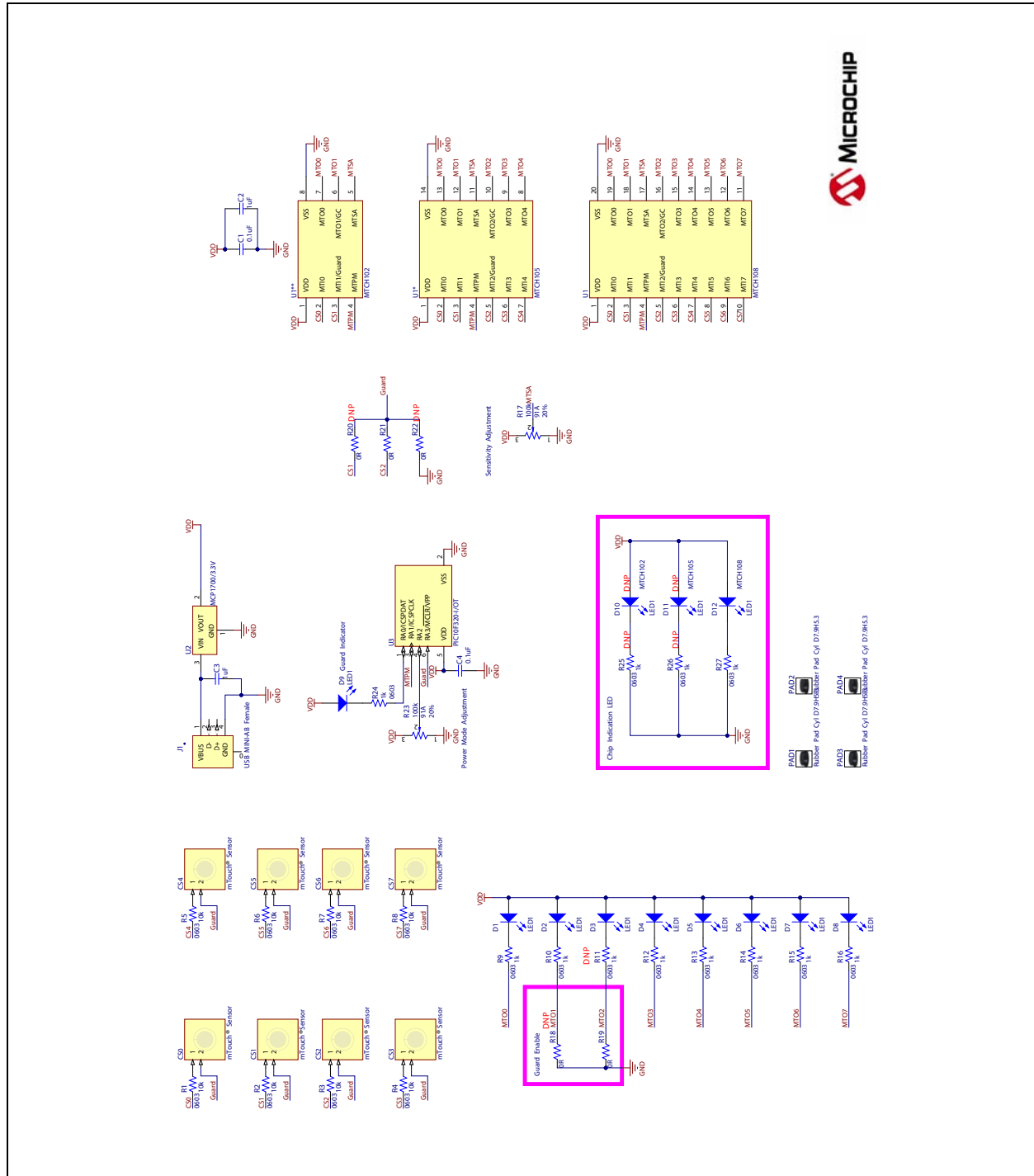
---

NOTES:



**Appendix A. MTCH108 Controller Board Schematic**

**FIGURE A-1: MTCH108 DEMONSTRATION BOARD SCHEMATIC**



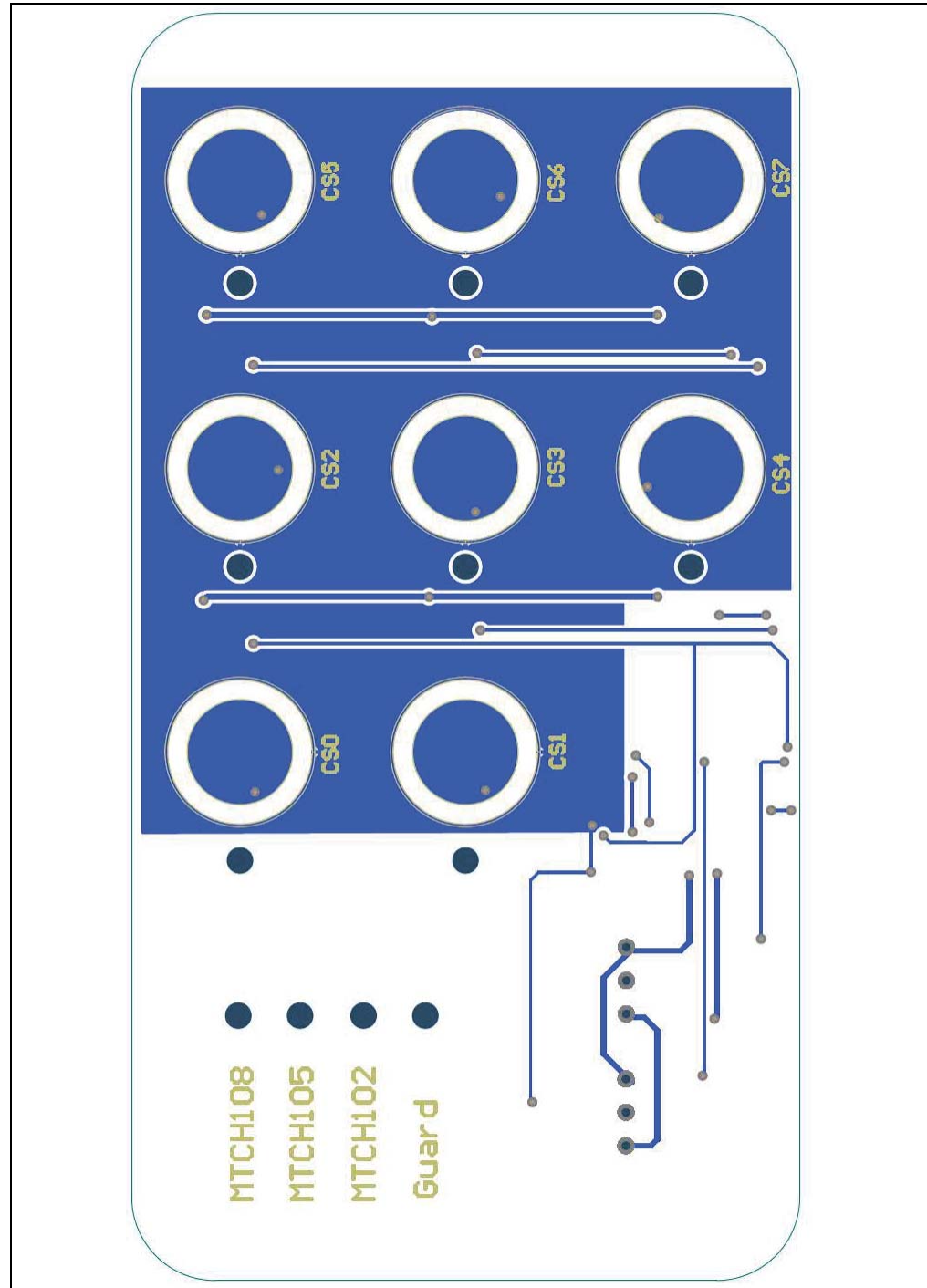
# MTCH108 Demonstration Board User's Guide

---

NOTES:

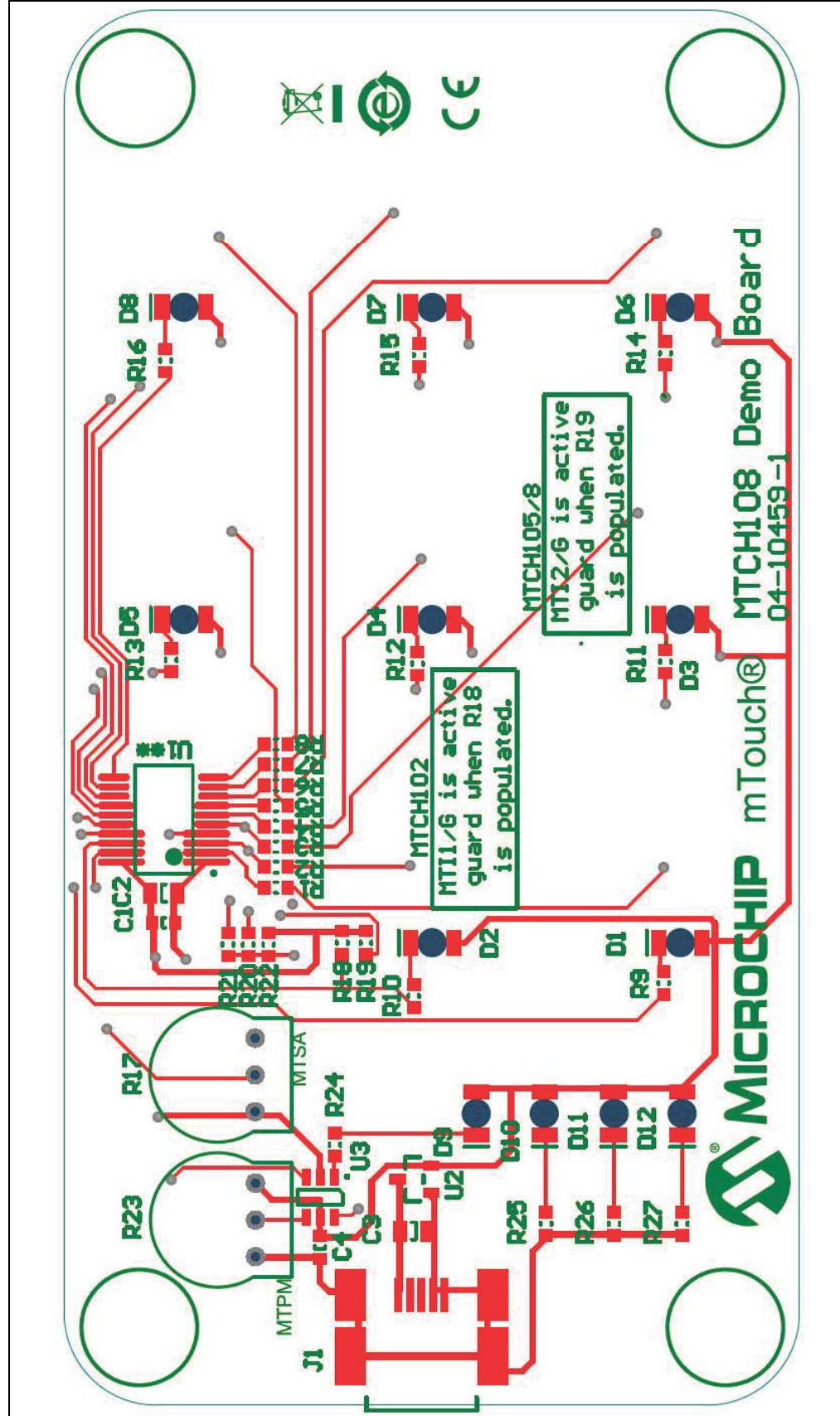
**Appendix B. MTCH108 Controller Board Layout**

**FIGURE B-1: MTCH108 CONTROLLER BOARD FRONT LAYOUT**



# MTCH108 Demonstration Board User's Guide

FIGURE B-2: MTCH108 CONTROLLER BOARD BACK SIDE LAYOUT





# MICROCHIP

## Worldwide Sales and Service

### AMERICAS

#### Corporate Office

2355 West Chandler Blvd.  
Chandler, AZ 85224-6199

Tel: 480-792-7200

Fax: 480-792-7277

Technical Support:

[http://www.microchip.com/  
support](http://www.microchip.com/support)

Web Address:

[www.microchip.com](http://www.microchip.com)

#### Atlanta

Duluth, GA

Tel: 678-957-9614

Fax: 678-957-1455

#### Austin, TX

Tel: 512-257-3370

#### Boston

Westborough, MA

Tel: 774-760-0087

Fax: 774-760-0088

#### Chicago

Itasca, IL

Tel: 630-285-0071

Fax: 630-285-0075

#### Cleveland

Independence, OH

Tel: 216-447-0464

Fax: 216-447-0643

#### Dallas

Addison, TX

Tel: 972-818-7423

Fax: 972-818-2924

#### Detroit

Novi, MI

Tel: 248-848-4000

#### Houston, TX

Tel: 281-894-5983

#### Indianapolis

Noblesville, IN

Tel: 317-773-8323

Fax: 317-773-5453

#### Los Angeles

Mission Viejo, CA

Tel: 949-462-9523

Fax: 949-462-9608

#### New York, NY

Tel: 631-435-6000

#### San Jose, CA

Tel: 408-735-9110

#### Canada - Toronto

Tel: 905-673-0699

Fax: 905-673-6509

### ASIA/PACIFIC

#### Asia Pacific Office

Suites 3707-14, 37th Floor  
Tower 6, The Gateway  
Harbour City, Kowloon

#### Hong Kong

Tel: 852-2943-5100

Fax: 852-2401-3431

#### Australia - Sydney

Tel: 61-2-9868-6733

Fax: 61-2-9868-6755

#### China - Beijing

Tel: 86-10-8569-7000

Fax: 86-10-8528-2104

#### China - Chengdu

Tel: 86-28-8665-5511

Fax: 86-28-8665-7889

#### China - Chongqing

Tel: 86-23-8980-9588

Fax: 86-23-8980-9500

#### China - Dongguan

Tel: 86-769-8702-9880

#### China - Hangzhou

Tel: 86-571-8792-8115

Fax: 86-571-8792-8116

#### China - Hong Kong SAR

Tel: 852-2943-5100

Fax: 852-2401-3431

#### China - Nanjing

Tel: 86-25-8473-2460

Fax: 86-25-8473-2470

#### China - Qingdao

Tel: 86-532-8502-7355

Fax: 86-532-8502-7205

#### China - Shanghai

Tel: 86-21-5407-5533

Fax: 86-21-5407-5066

#### China - Shenyang

Tel: 86-24-2334-2829

Fax: 86-24-2334-2393

#### China - Shenzhen

Tel: 86-755-8864-2200

Fax: 86-755-8203-1760

#### China - Wuhan

Tel: 86-27-5980-5300

Fax: 86-27-5980-5118

#### China - Xian

Tel: 86-29-8833-7252

Fax: 86-29-8833-7256

### ASIA/PACIFIC

#### China - Xiamen

Tel: 86-592-2388138

Fax: 86-592-2388130

#### China - Zhuhai

Tel: 86-756-3210040

Fax: 86-756-3210049

#### India - Bangalore

Tel: 91-80-3090-4444

Fax: 91-80-3090-4123

#### India - New Delhi

Tel: 91-11-4160-8631

Fax: 91-11-4160-8632

#### India - Pune

Tel: 91-20-3019-1500

#### Japan - Osaka

Tel: 81-6-6152-7160

Fax: 81-6-6152-9310

#### Japan - Tokyo

Tel: 81-3-6880-3770

Fax: 81-3-6880-3771

#### Korea - Daegu

Tel: 82-53-744-4301

Fax: 82-53-744-4302

#### Korea - Seoul

Tel: 82-2-554-7200

Fax: 82-2-558-5932 or

82-2-558-5934

#### Malaysia - Kuala Lumpur

Tel: 60-3-6201-9857

Fax: 60-3-6201-9859

#### Malaysia - Penang

Tel: 60-4-227-8870

Fax: 60-4-227-4068

#### Philippines - Manila

Tel: 63-2-634-9065

Fax: 63-2-634-9069

#### Singapore

Tel: 65-6334-8870

Fax: 65-6334-8850

#### Taiwan - Hsin Chu

Tel: 886-3-5778-366

Fax: 886-3-5770-955

#### Taiwan - Kaohsiung

Tel: 886-7-213-7828

#### Taiwan - Taipei

Tel: 886-2-2508-8600

Fax: 886-2-2508-0102

#### Thailand - Bangkok

Tel: 66-2-694-1351

Fax: 66-2-694-1350

### EUROPE

#### Austria - Wels

Tel: 43-7242-2244-39

Fax: 43-7242-2244-393

#### Denmark - Copenhagen

Tel: 45-4450-2828

Fax: 45-4485-2829

#### France - Paris

Tel: 33-1-69-53-63-20

Fax: 33-1-69-30-90-79

#### Germany - Dusseldorf

Tel: 49-2129-3766400

#### Germany - Karlsruhe

Tel: 49-721-625370

#### Germany - Munich

Tel: 49-89-627-144-0

Fax: 49-89-627-144-44

#### Italy - Milan

Tel: 39-0331-742611

Fax: 39-0331-466781

#### Italy - Venice

Tel: 39-049-7625286

#### Netherlands - Drunen

Tel: 31-416-690399

Fax: 31-416-690340

#### Poland - Warsaw

Tel: 48-22-3325737

#### Spain - Madrid

Tel: 34-91-708-08-90

Fax: 34-91-708-08-91

#### Sweden - Stockholm

Tel: 46-8-5090-4654

#### UK - Wokingham

Tel: 44-118-921-5800

Fax: 44-118-921-5820

07/14/15