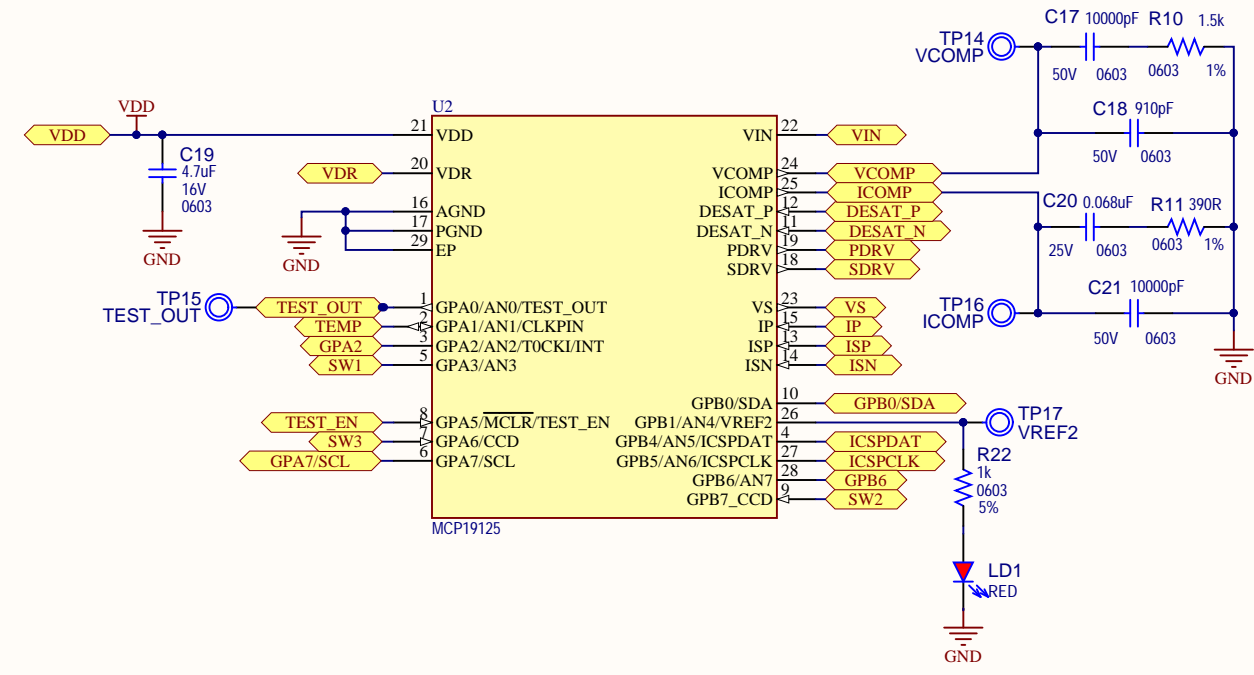
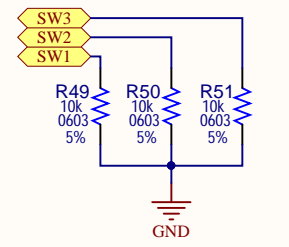
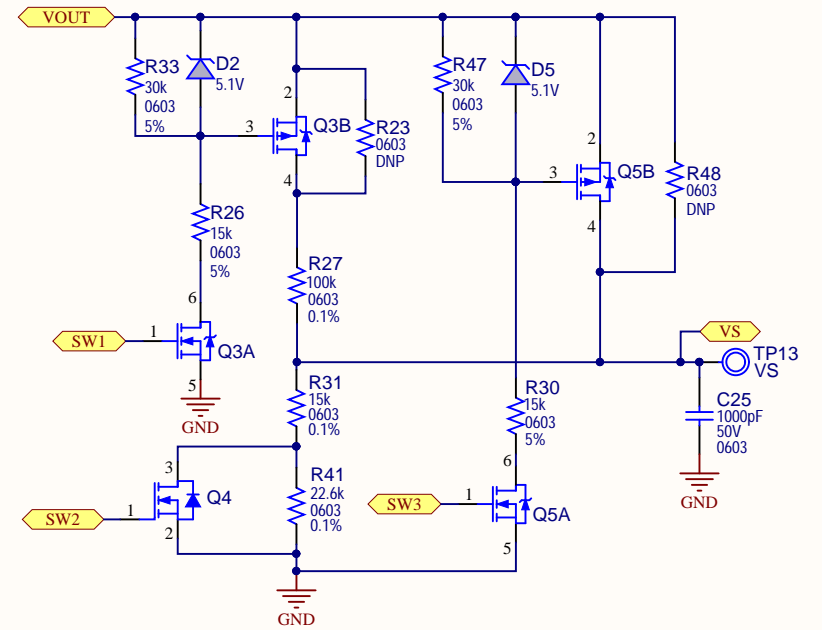
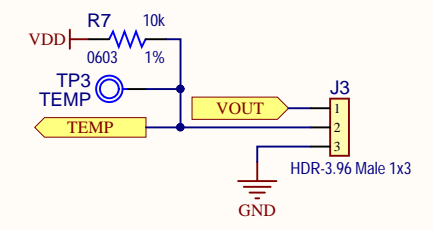
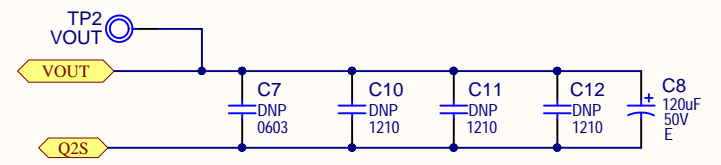
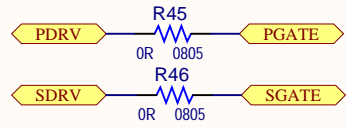
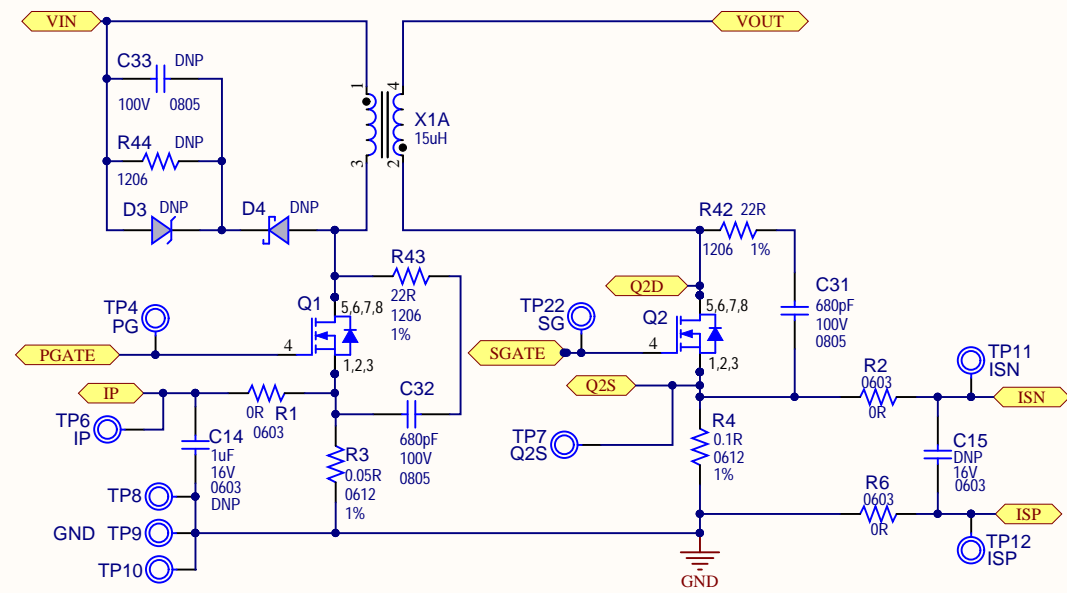
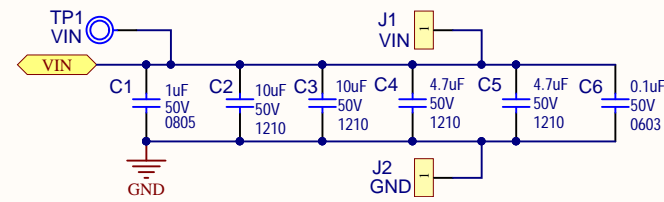
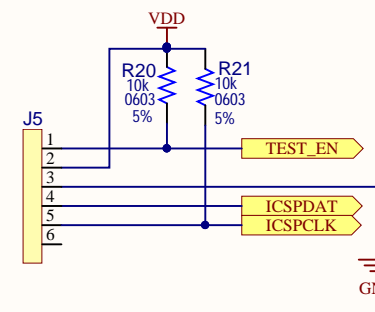
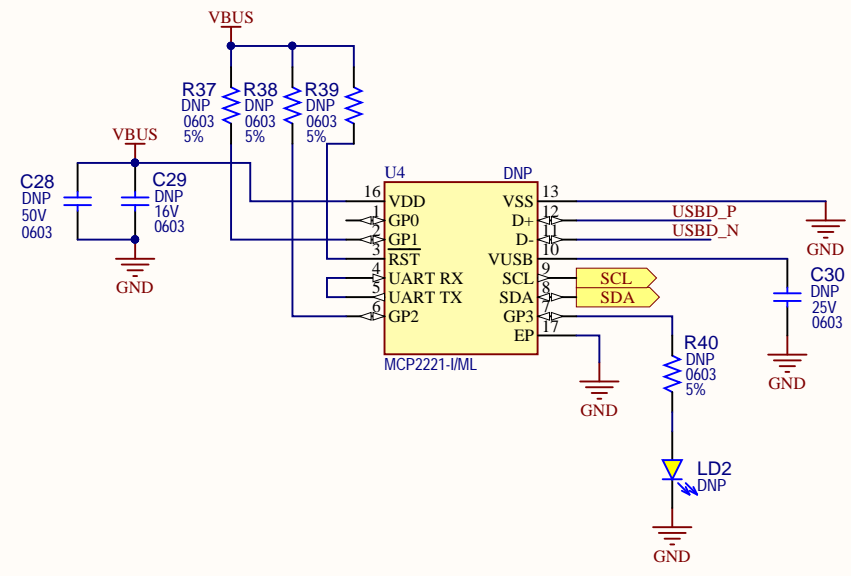
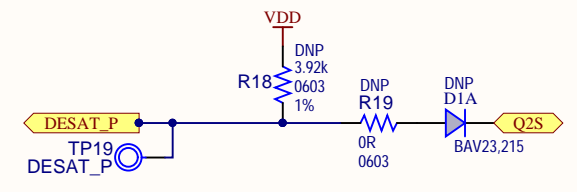
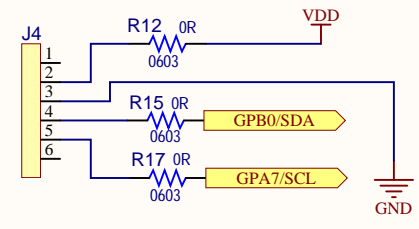
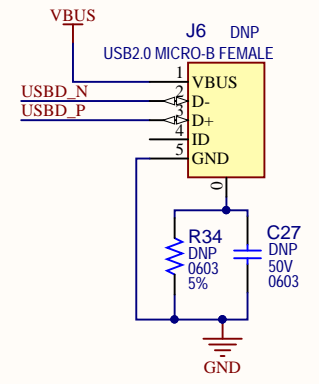
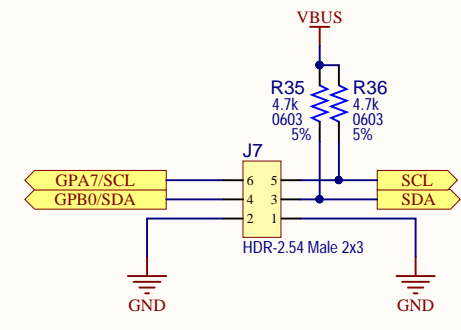
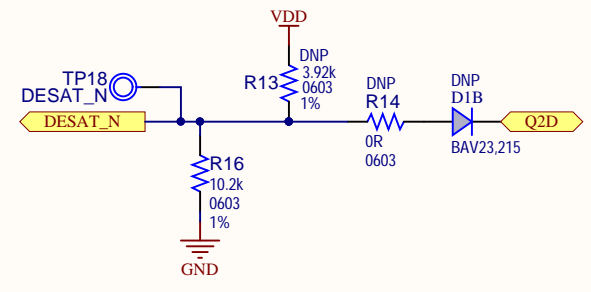
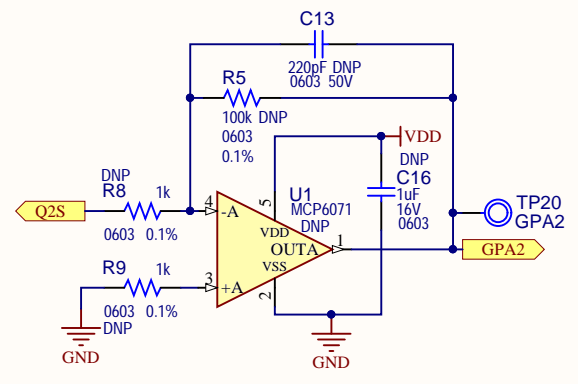


REV	ECO#	DESCRIPTION	DATE



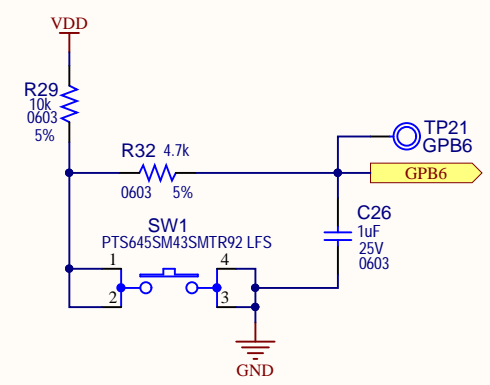
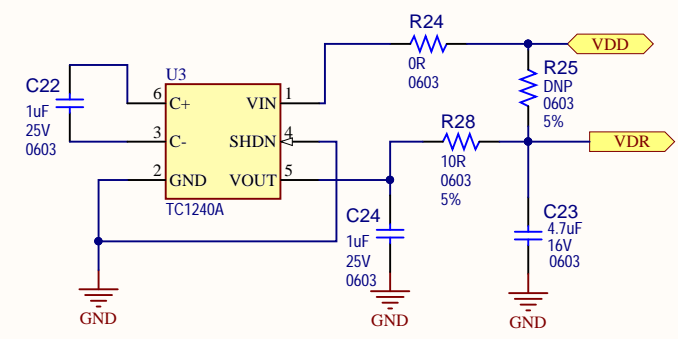
Drawn By: Joseph Depew	
Engineer: Jeffrey Dann	
PartNumber: ADM00745	Project Title MCP19125 Flyback Battery Charger
Sheet Title MCP19125 Battery Charger Evaluation Board	Designed with
Size B	Sch #03-10531 Revision:1
Date: 4/14/2017 9:37:43 AM	Sheet 1 of 2
File: ADM00745_S1.SchDoc	

REV	ECO#	DESCRIPTION	DATE



- SCR1 Phillips Screw 1/4"
- SCR2 Phillips Screw 1/4"
- SCR3 Phillips Screw 1/4"
- SCR4 Phillips Screw 1/4"

LABEL
02- -R1
 JIT
 LABEL Need Help Small



Drawn By: Joseph Depew	
Engineer: Jeffrey Dann	
PartNumber: ADM00745	Project Title: MCP19125 Flyback Battery Charger
Sheet Title: MCP19125 Battery Charger Evaluation Board	<i>Designed with</i> Altium
Size: B	Sch #03-10531 Date: 4/14/2017 9:37:43 AM
Revision: 1	Sheet 2 of 2
File: ADM00745_S2_SchDoc	