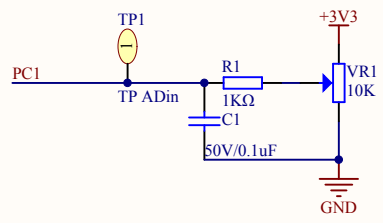
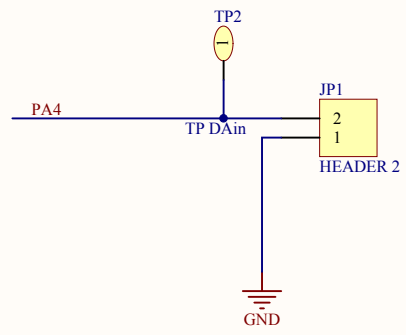


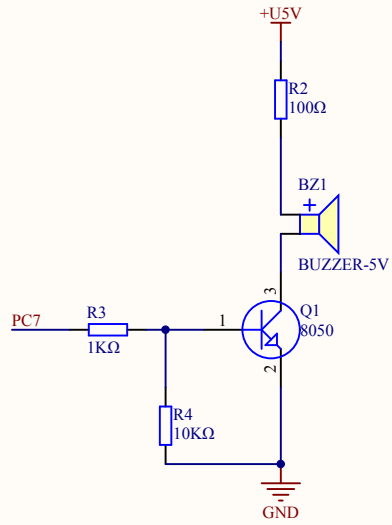
ADC



DAC

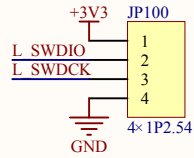


Title		
Size	Number	Revision
A4		
Date:	2015-7-31	Sheet of
File:	E:\Fxu Project\AD DA.SchDoc	Drawn By:

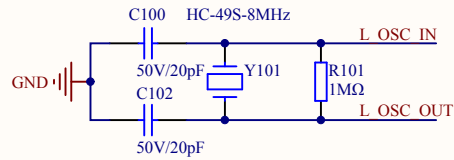


Title		
Size	Number	Revision
A4		
Date:	2015-7-31	Sheet of
File:	E:\Fxu Project\AUDIO.SchDoc	Drawn By:

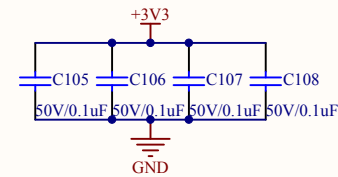
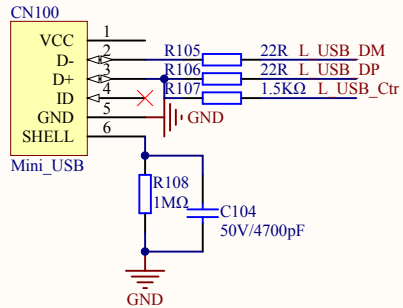
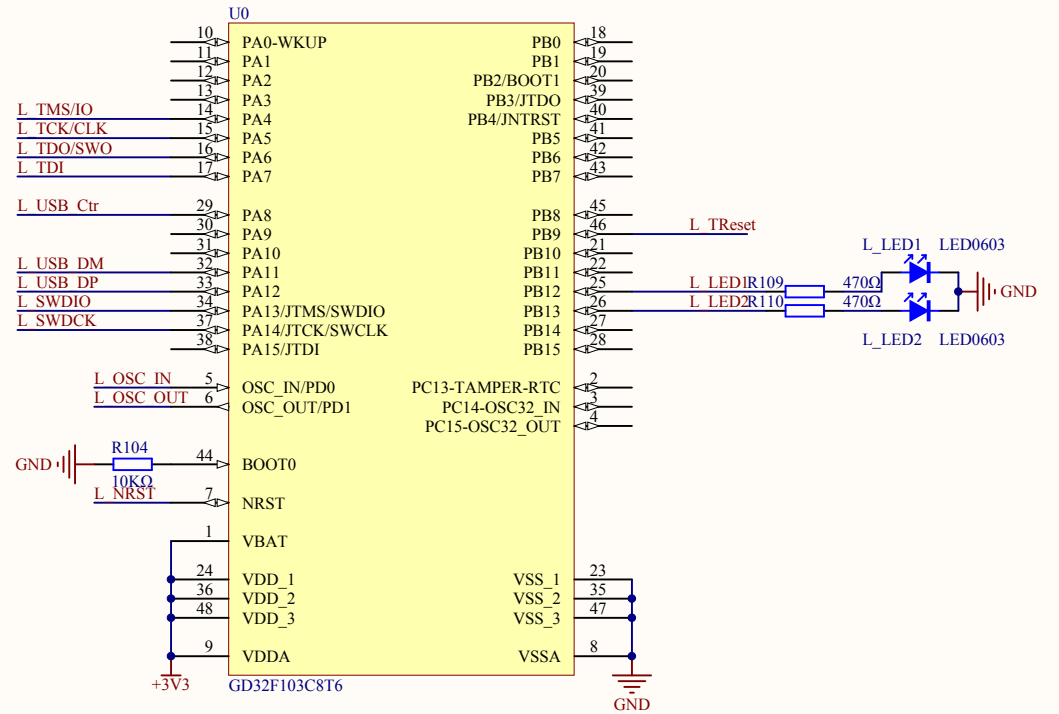
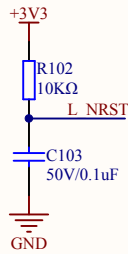
MCU SWD



HSE



Reset



Company Name: GigaDevice

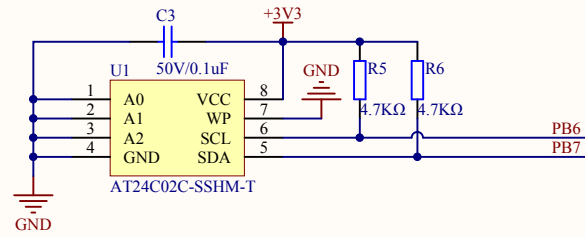
File Name: GDLink

Revision: 1.0

Data: 2015-01-09

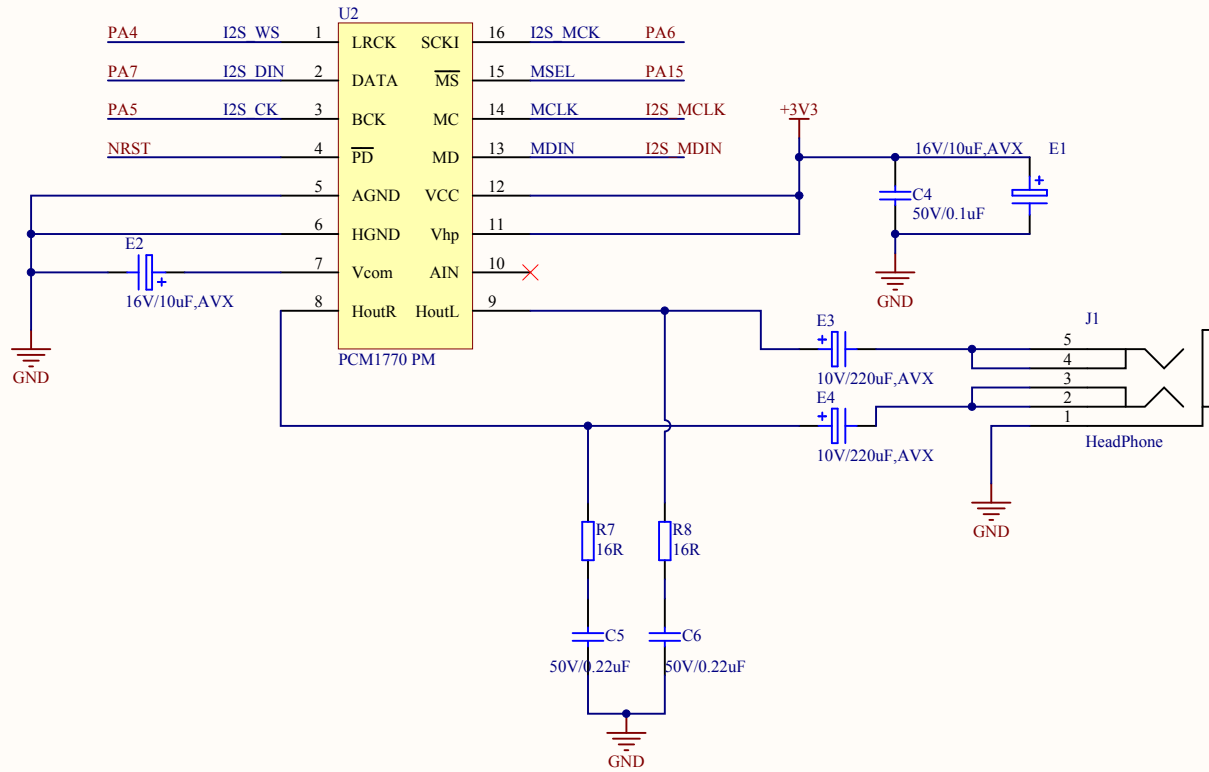
Author: XuFei

I2C

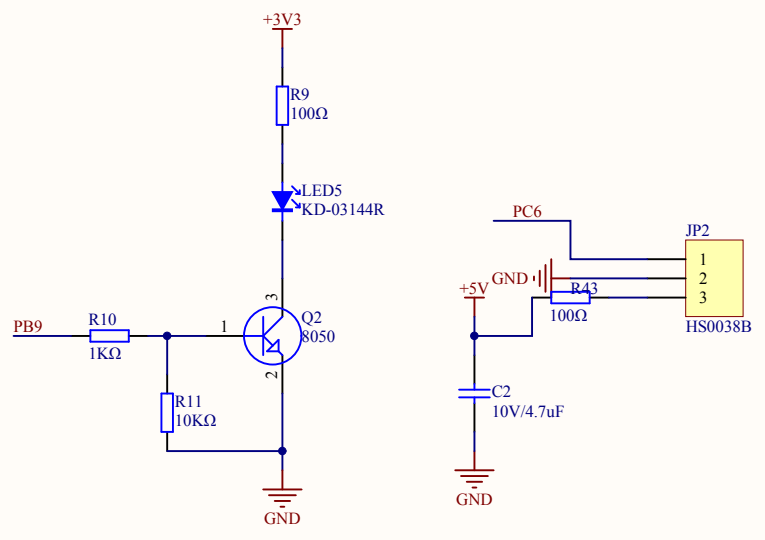


Title		
Size	Number	Revision
A4		
Date:	2015-7-31	Sheet of
File:	E:\Fxu Project\I2C.SchDoc	Drawn By:

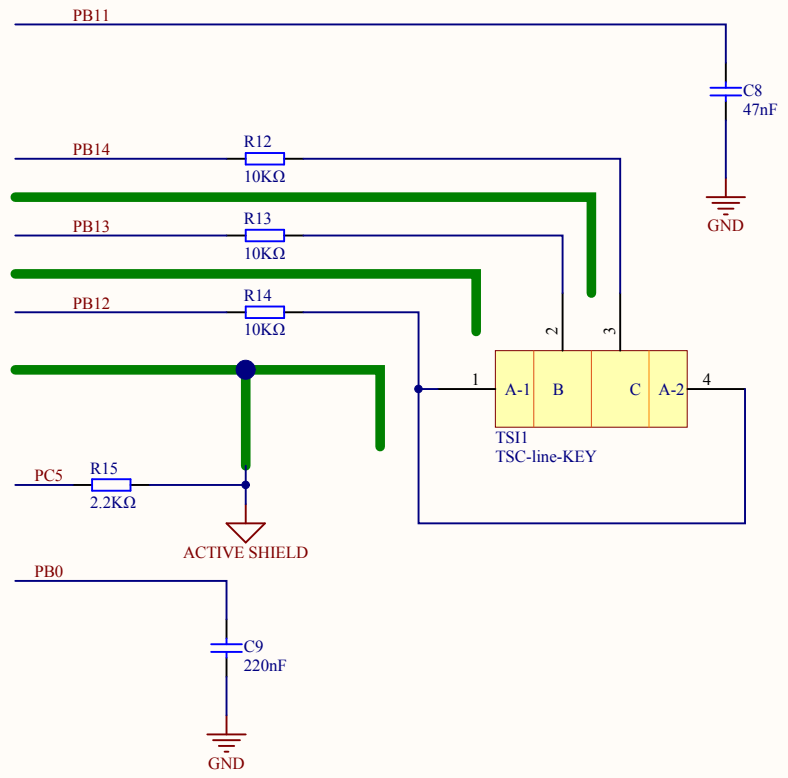
I2S



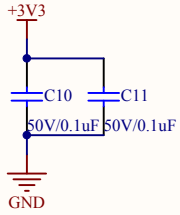
Title		
Size	Number	Revision
A4		
Date:	2015-7-31	Sheet of
File:	E:\Fxu Project\I2S.SchDoc	Drawn By:



Title		
Size	Number	Revision
A4		
Date:	2015-7-31	Sheet of
File:	E:\Fxu Project\..MR.SchDoc	Drawn By:

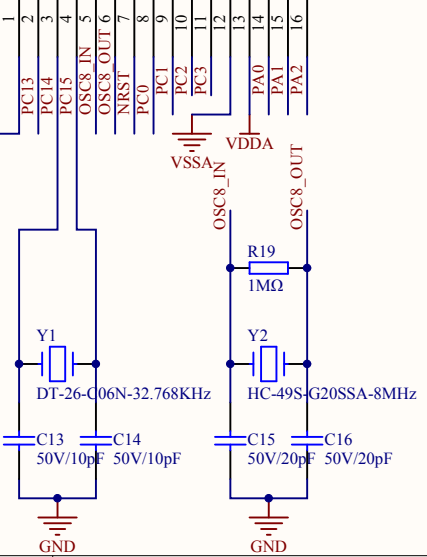
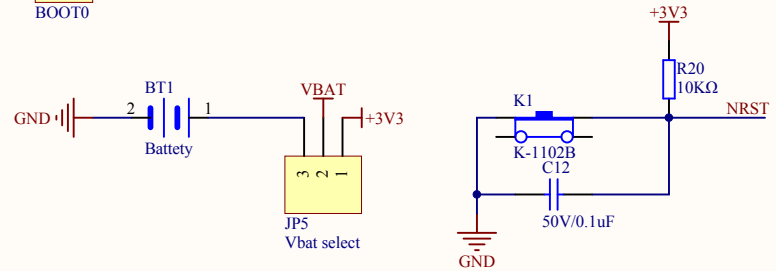
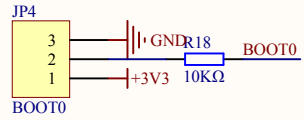
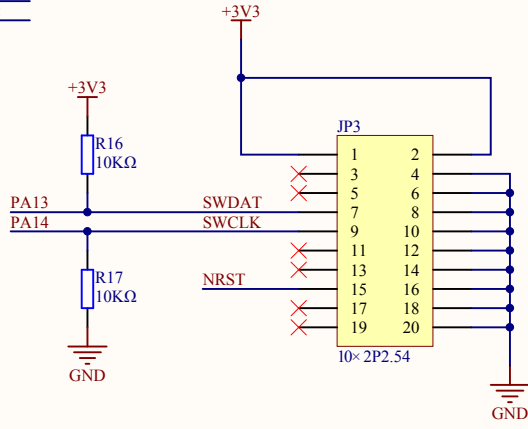
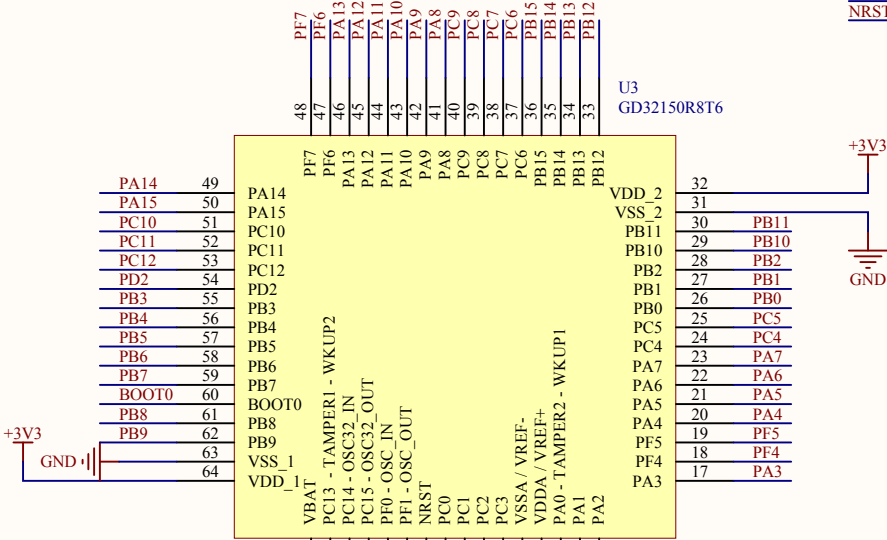


Title		
Size A4	Number	Revision
Date:	2015-7-31	Sheet of
File:	E:\Fxu Project\Linear Sensor.SchDoc	Drawn By:

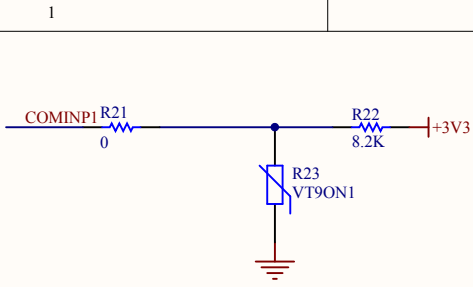


SWD GDLINK

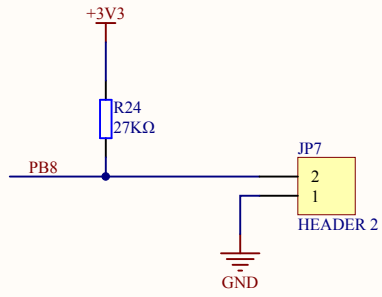
SWDAT	L TMS/IO
SWCLK	L TCK/CLK
NRST	L TRReset



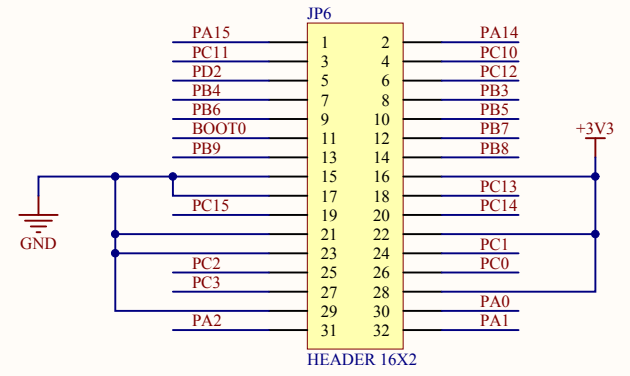
Title		
Size	Number	Revision
A4		
Date:	2015-7-31	Sheet of
File:	E:\Fxu Project\MCU.SchDoc	Drawn By:



COMPARATOR

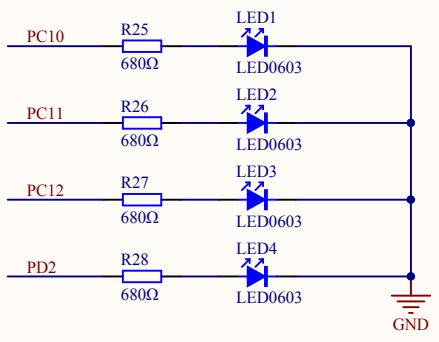


HDMI-CEC

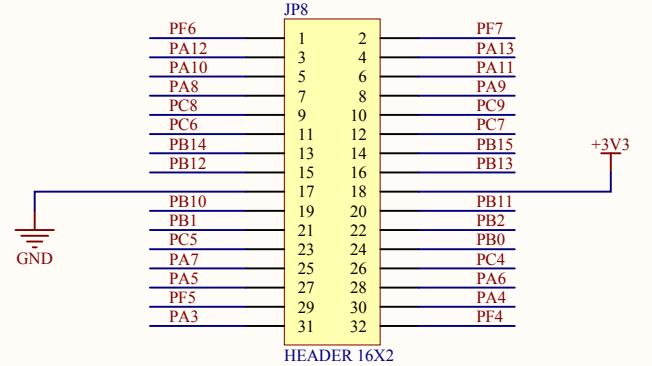
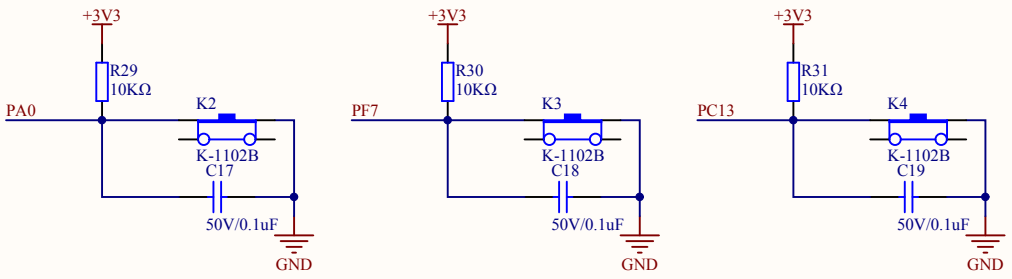


HEADER 16X2

LED



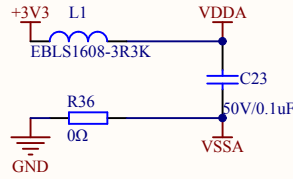
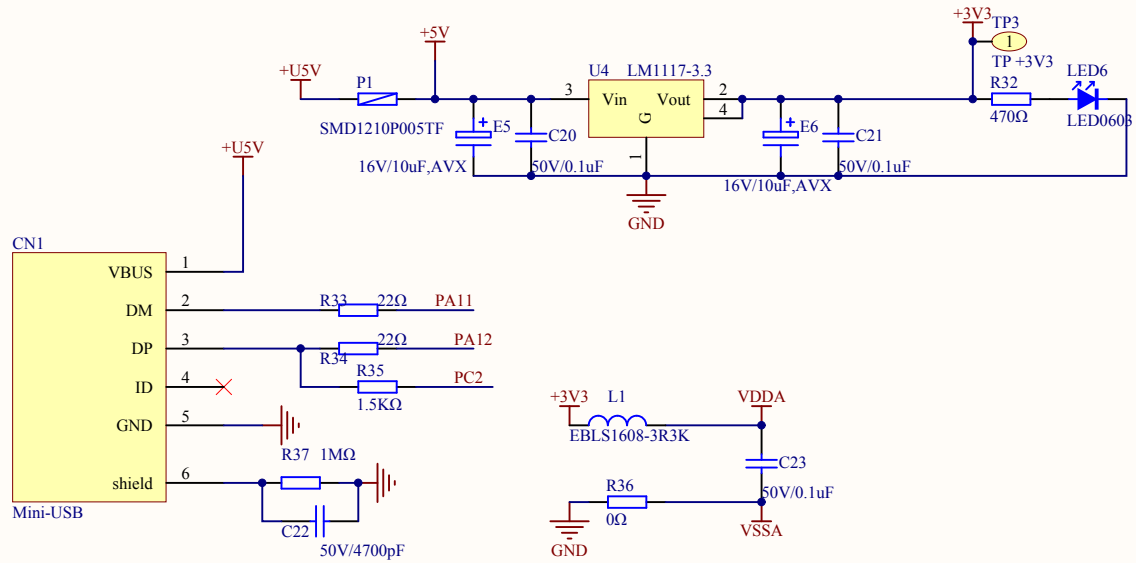
KEY



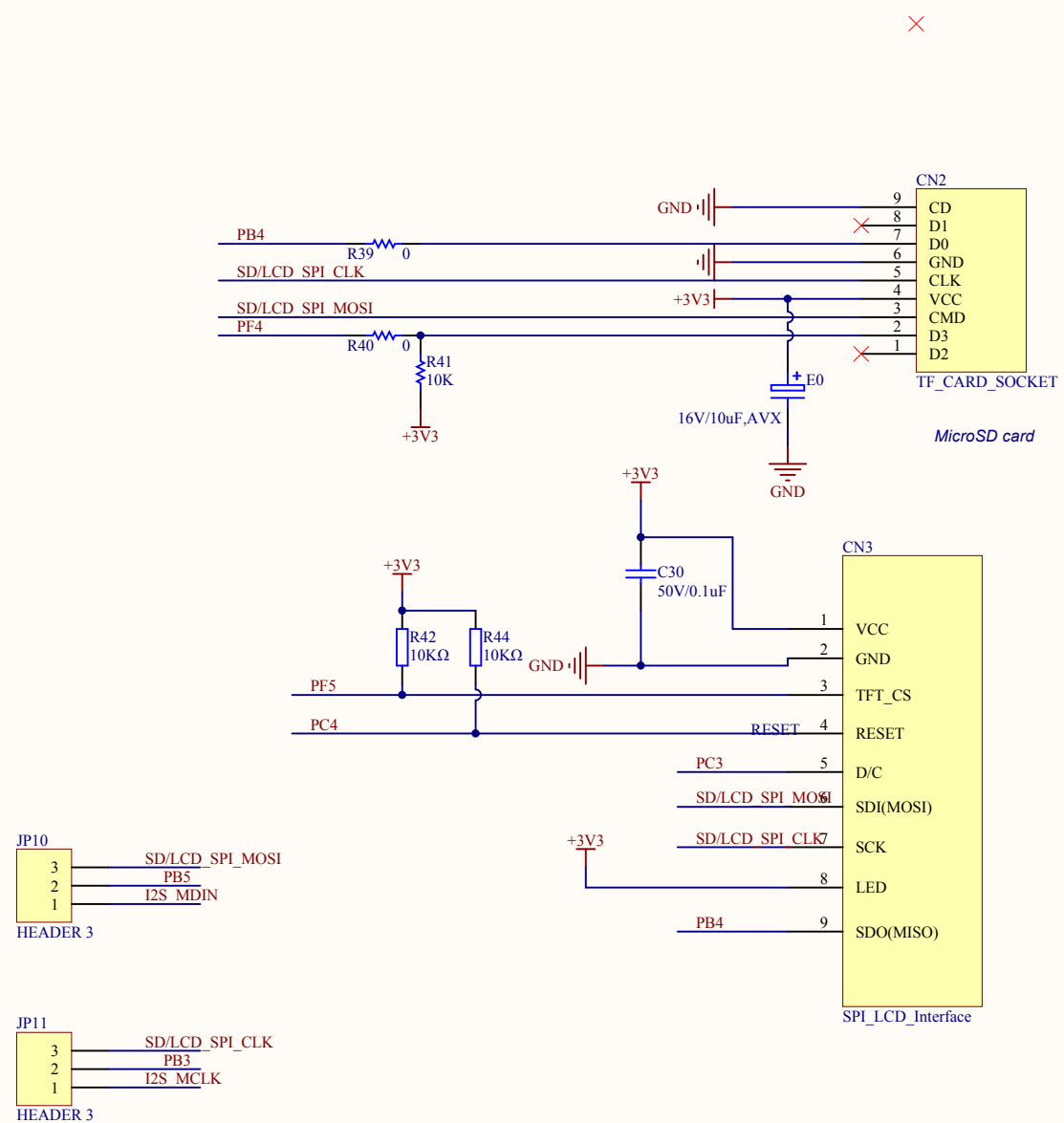
HEADER 16X2

EXTENTION

Title		
Size A4	Number	Revision
Date: 2015-7-31	Sheet of	
File: E:\Fxu Project\...\Peripherals.SchDoc	Drawn By:	



Title		
Size A4	Number	Revision
Date:	2015-7-31	Sheet of
File:	E:\Fxu Project\.\POWER.SchDoc	Drawn By:



Title		
Size	Number	Revision
A4		
Date:	2015-7-31	Sheet of
File:	E:\Fxu Project\.\SPI.SchDoc	Drawn By:

