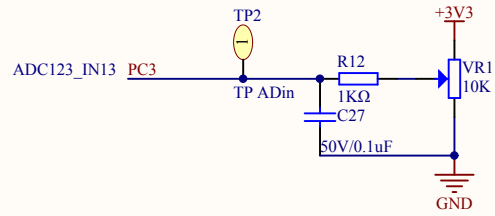
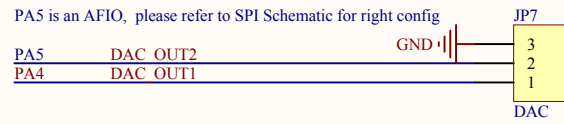


### ADC



### DAC

PA5 is an AFIO, please refer to SPI Schematic for right config



**Company Name: GigaDevice**

**File Name: AD\_DA**

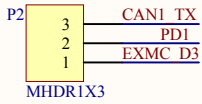
Revision: 1.0

Data: 2013-8-20

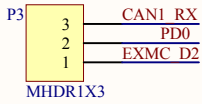
Author: XuFei

# CAN

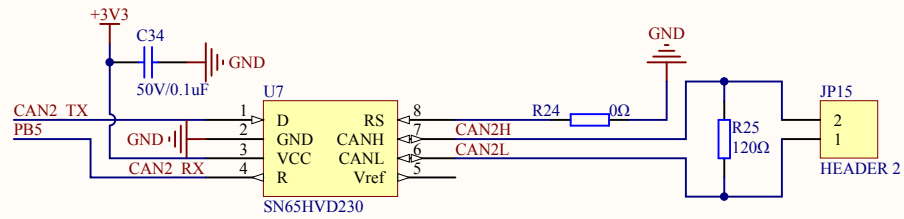
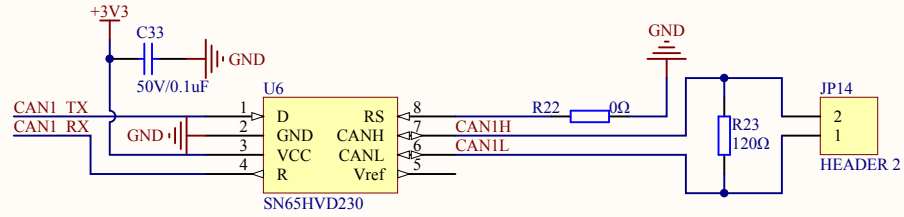
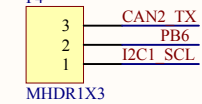
Short P2(1,2) for EXMC function  
Short P2(2,3) for CAN1 function



Short P3(1,2) for EXMC function  
Short P3(2,3) for CAN1 function



Short P4(1,2) for I2C1 function  
Short P4(2,3) for CAN2 function



**Company Name: GigaDevice**

**File Name: CAN**

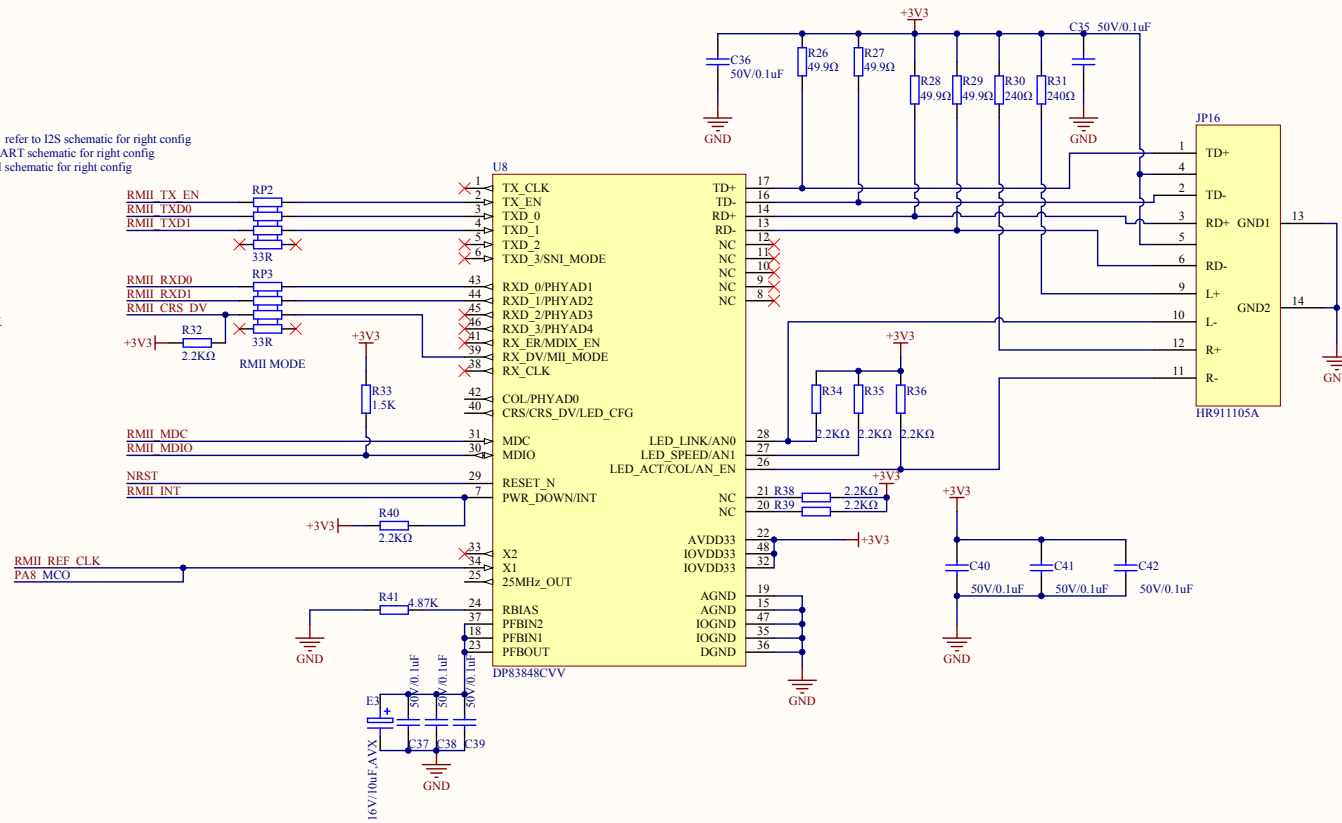
Revision: 1.0

Data: 2013-7-24

Author: XuFei

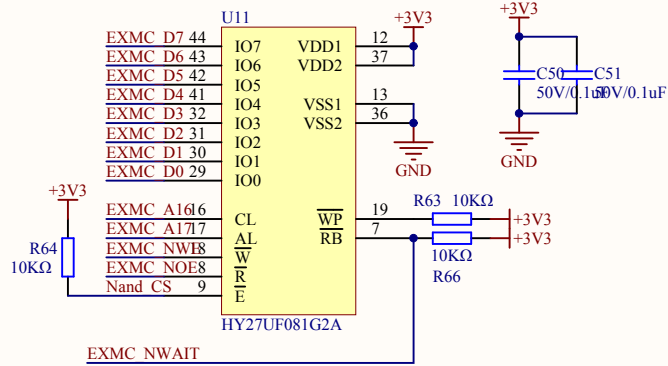
PB12 and PB13 are AFIOs refer to I2S schematic for right config  
 PA2 is an AFIO, refer to USART schematic for right config  
 PA7 is an AFIO, refer to SPI schematic for right config

- PB11 RMII TX\_EN
- PB12 RMII\_TXD0
- PB13 RMII\_TXD1
- PC4 RMII\_RXD0
- PC5 RMII\_RXD1
- PA7 RMII CRS\_DV
- PC1 RMII\_MDC
- PA2 RMII\_MDIO
- PB0 RMII\_INT
- PA1 RMII\_REF\_CLK

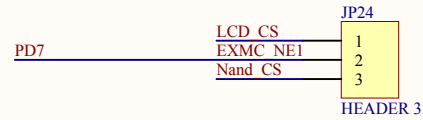
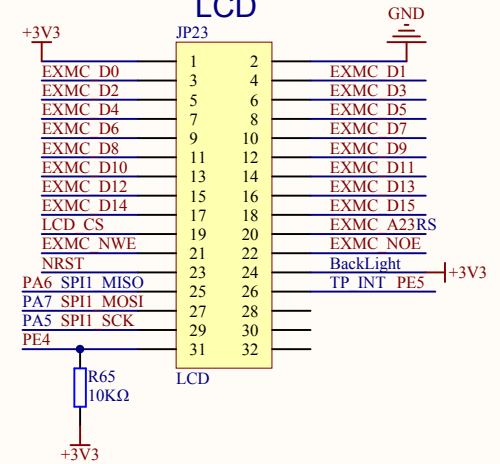


<b>Company Name: GigaDevice</b>		
<b>File Name: Ethernet</b>		
Revision: 1.0	Date: 2013-8-21	Author: Xufei

### Nand Flash



### LCD

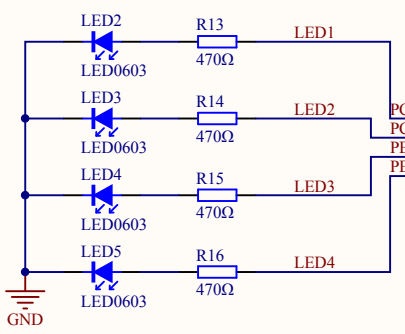


PD0,PD1 are AFIOs, please refer to CAN schematic for right config

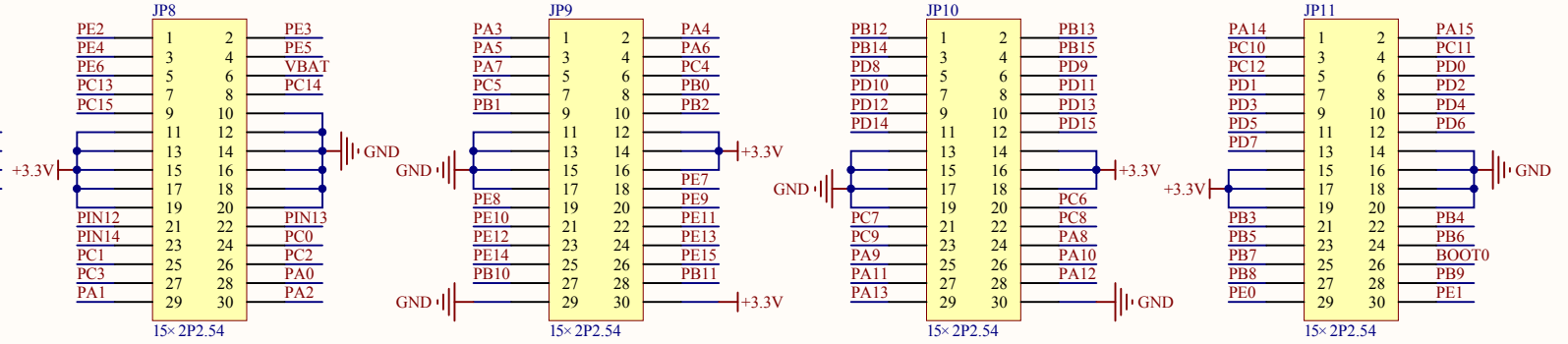
PD14	EXMC D0	PD11	EXMC A16
PD15	EXMC D1	PD12	EXMC A17
PD0	EXMC D2	PE2	EXMC A23
PD1	EXMC D3	PD4	EXMC NOE
PE7	EXMC D4	PD5	EXMC NWE
PE8	EXMC D5	PD6	EXMC NWAIT
PE9	EXMC D6		
PE10	EXMC D7		
PE11	EXMC D8		
PE12	EXMC D9		
PE13	EXMC D10		
PE14	EXMC D11		
PE15	EXMC D12		
PD8	EXMC D13		
PD9	EXMC D14		
PD10	EXMC D15		

<b>Company Name: GigaDevice</b>		
<b>File Name: EXMC</b>		
Revision: 1.0	Data: 2013-8-20	Author: XuFei

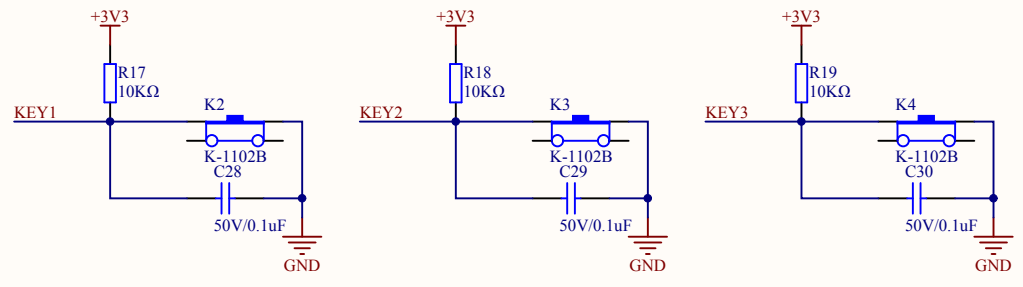
### LED



### Extension Pin



### KEY



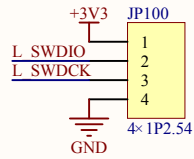
- PA0 KEY1
- PC13 KEY2
- PB14 KEY3

**Company Name: GigaDevice**

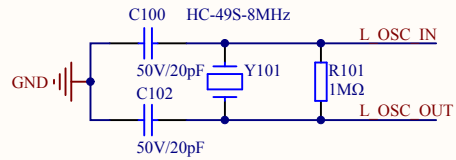
**File Name: Extension**

Revision: 1.0	Data: 2013-8-20	Author: XuFei
---------------	-----------------	---------------

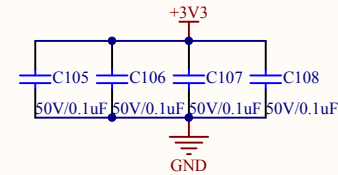
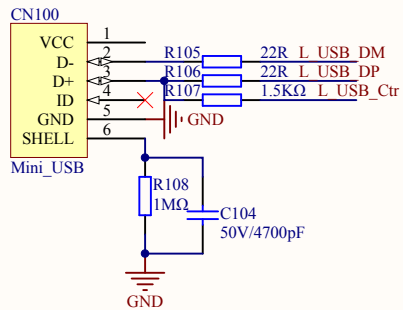
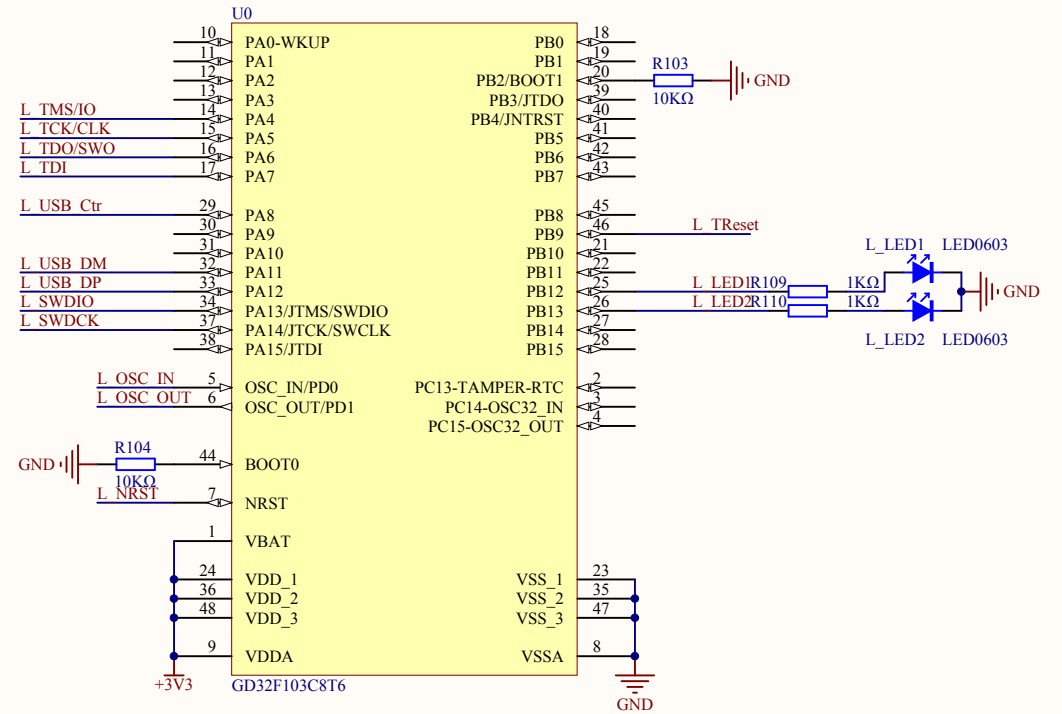
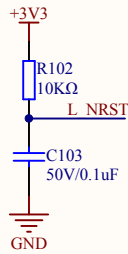
### MCU SWD



### HSE



### Reset



Company Name: GigaDevice

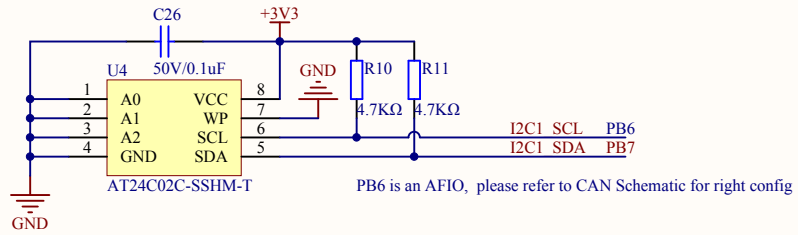
File Name: GDLink

Revision: 1.0

Data: 2015-01-09

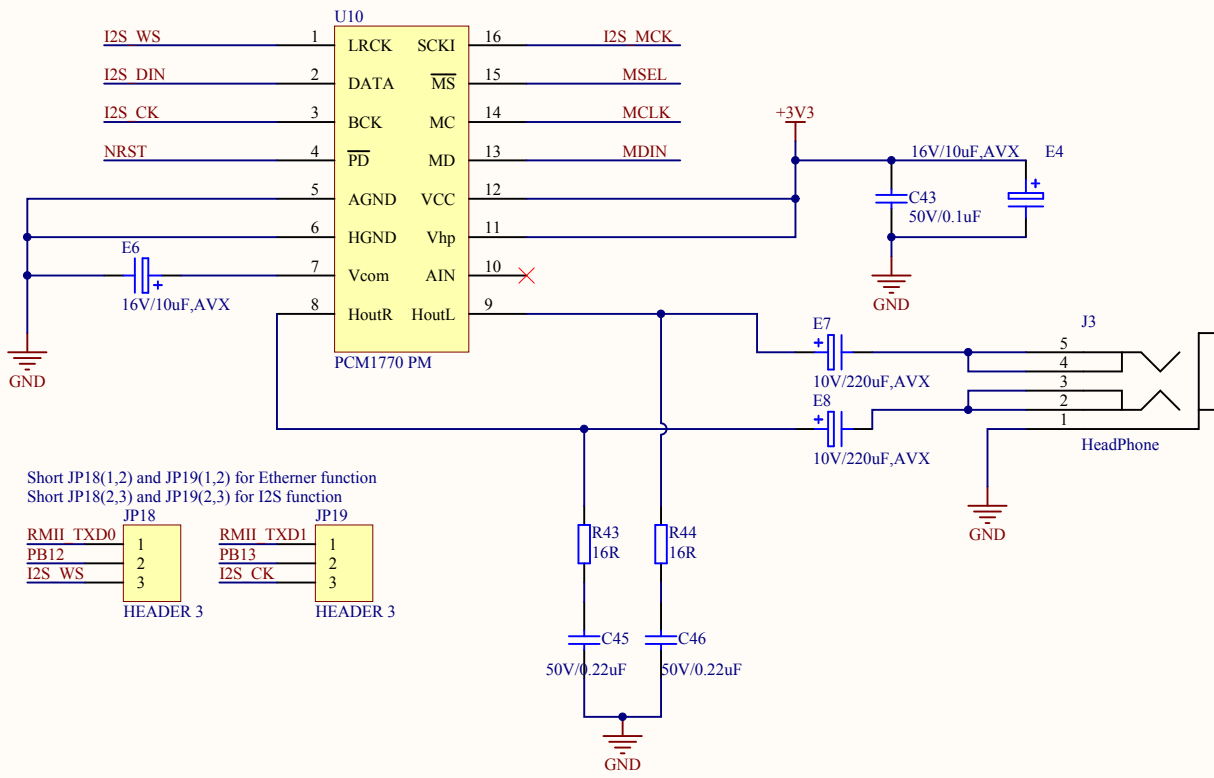
Author: XuFei

# I2C



<b>Company Name: GigaDevice</b>		
<b>File Name: I2C_SMbus</b>		
Revision: 1.0	Data: 2013-8-20	Author: XuFei

PC6 I2S\_MCK  
 PB15 I2S\_DIN  
 PA7 SPI1\_MOSI MDIN  
 SPI1\_SCK MCLK  
 PA4 MSEL



Short JP18(1,2) and JP19(1,2) for Ethernet function  
 Short JP18(2,3) and JP19(2,3) for I2S function

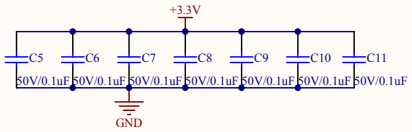
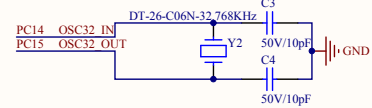
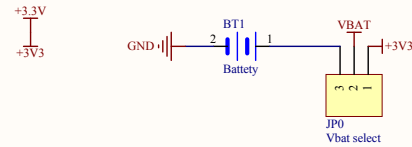
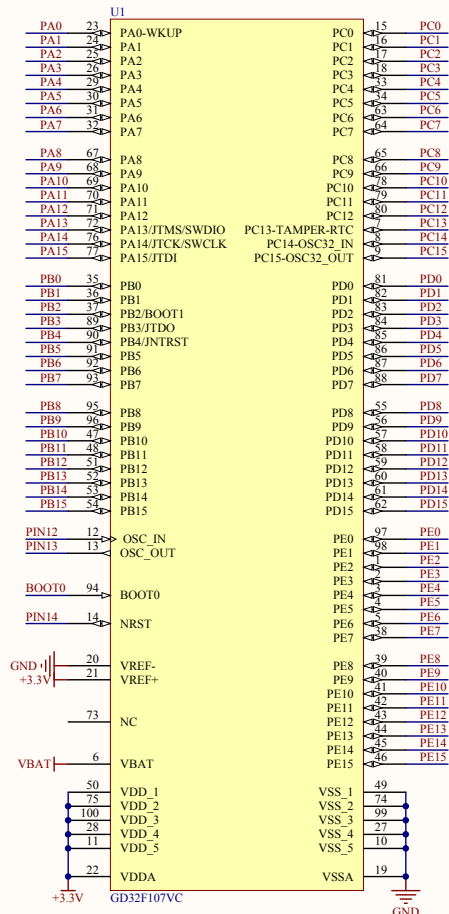
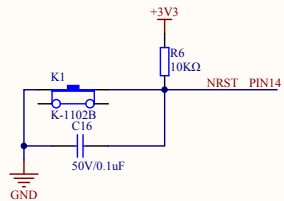
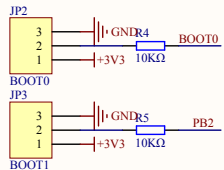
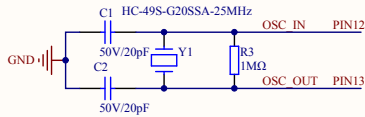
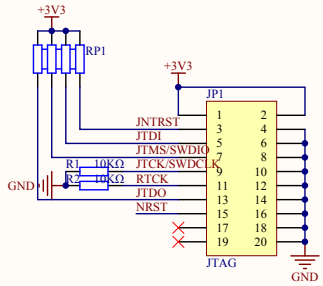
<b>JP18</b>		<b>JP19</b>	
RMI1_TXD0	1	RMI1_TXD1	1
PB12	2	PB13	2
I2S_WS	3	I2S_CK	3

HEADER 3      HEADER 3

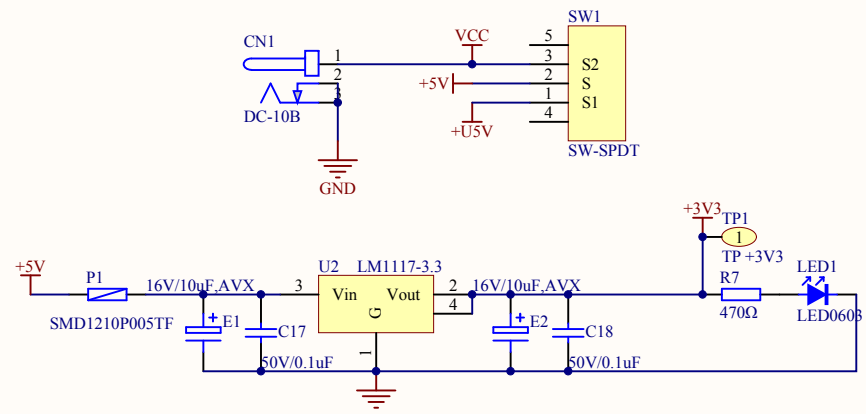
<b>Company Name: GigaDevice</b>		
<b>File Name: I2S</b>		
Revision: 1.0	Data: 2013-7-23	Author: Lixin



GDLink	JTAG	
L_TDI	JNTRST	PB4
L_TMS/IO	JTDI	PA15
L_TCK/CLK	JTMS/SWDIO	PA13
L_TDO/SWO	JTCK/SWDCLK	PA14
L_TReset	JTDO	PB3
	NRST	

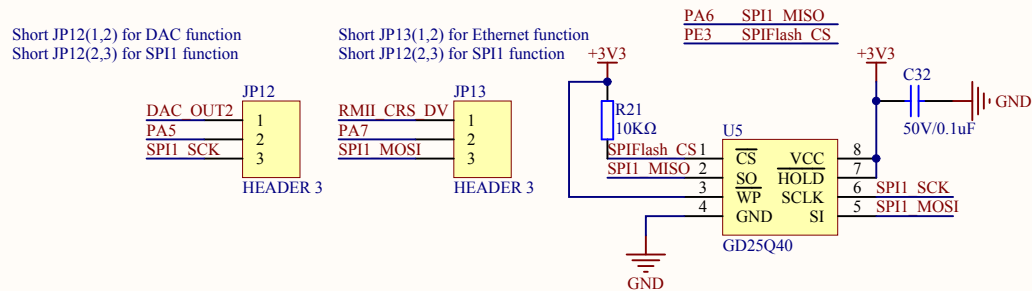


<b>Company Name: GigaDevice</b>		
<b>File Name: MCU</b>		
Revision: 1.0	Date: 2013-8-20	Author: XuFei



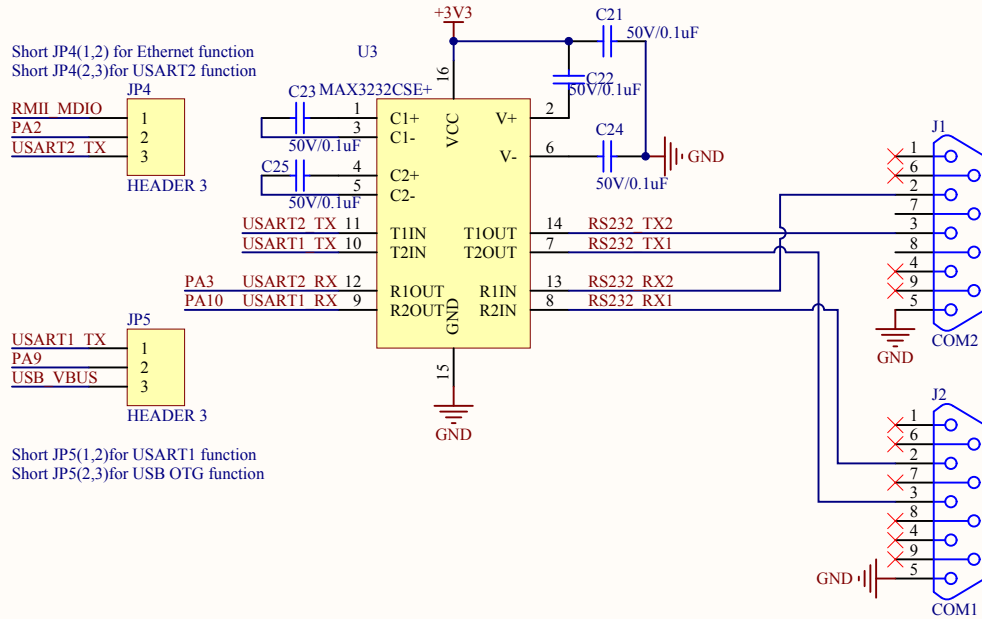
<b>Company Name: GigaDevice</b>		
<b>File Name: Power</b>		
Revision: 1.0	Data: 2013-8-20	Author: XuFei

### SPI Flash



<b>Company Name: GigaDevice</b>		
<b>File Name: SPI</b>		
Revision: 1.0	Data: 2013-8-20	Author: XuFei

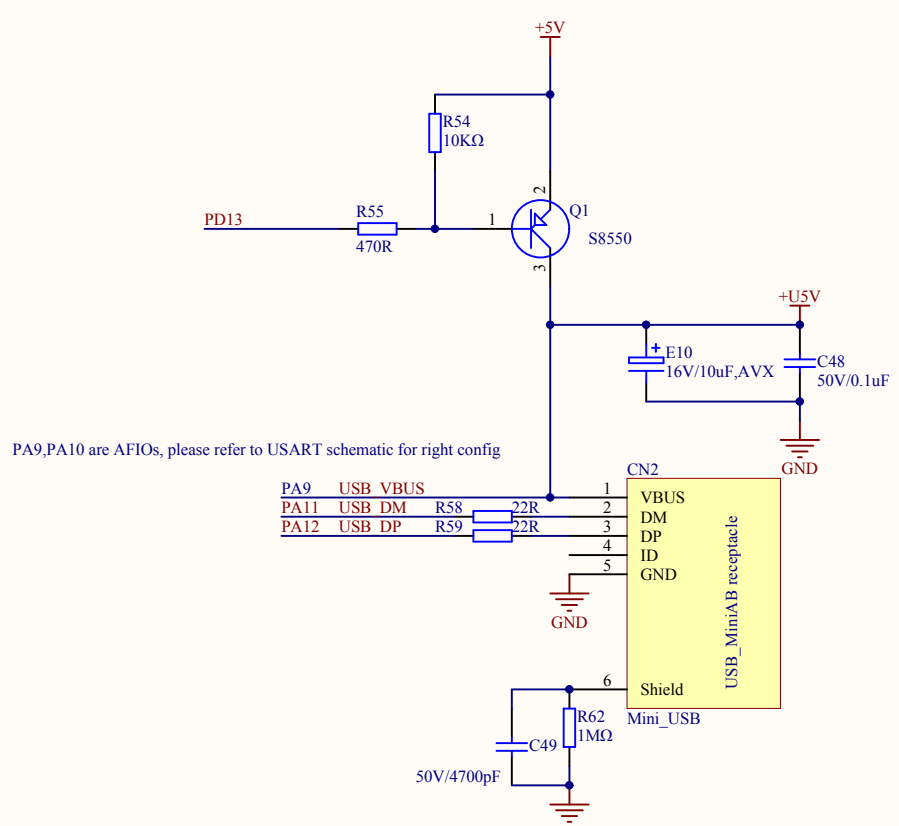
### USART1/USART2



Short JP4(1,2) for Ethernet function  
 Short JP4(2,3) for USART2 function

Short JP5(1,2) for USART1 function  
 Short JP5(2,3) for USB OTG function

<b>Company Name: GigaDevice</b>		
<b>File Name: USART</b>		
Revision: 1.0	Data: 2013-8-20	Author: XuFei



<b>Company Name: GigaDevice</b>		
<b>File Name: USB_OTG</b>		
Revision: 1.1	Data: 2013.9.10	Author: Xufei

