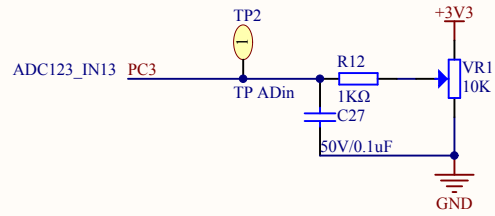
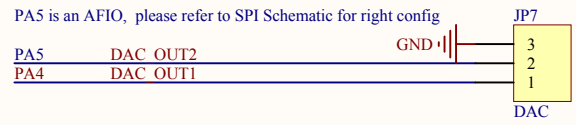


ADC



DAC

PA5 is an AFIO, please refer to SPI Schematic for right config



Company Name: GigaDevice

File Name: AD_DA

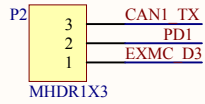
Revision: 1.0

Data: 2013-8-20

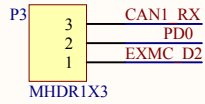
Author: XuFei

CAN

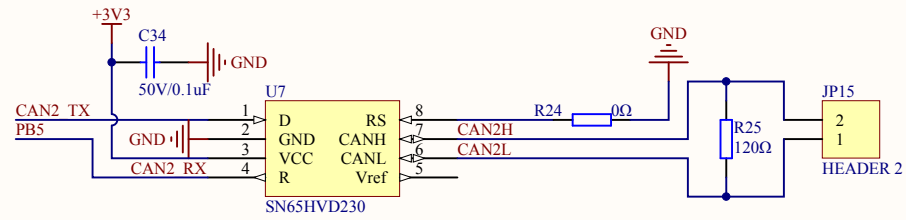
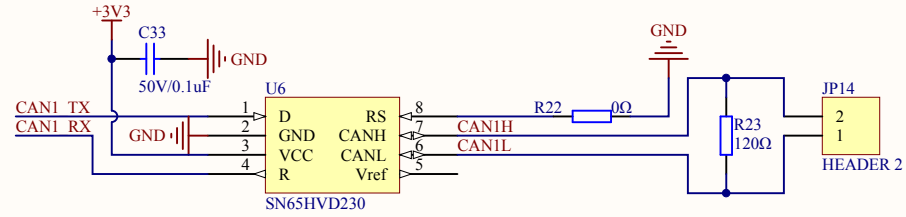
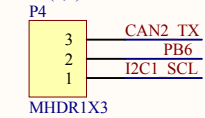
Short P2(1,2) for EXMC function
Short P2(2,3) for CAN1 function



Short P3(1,2) for EXMC function
Short P3(2,3) for CAN1 function

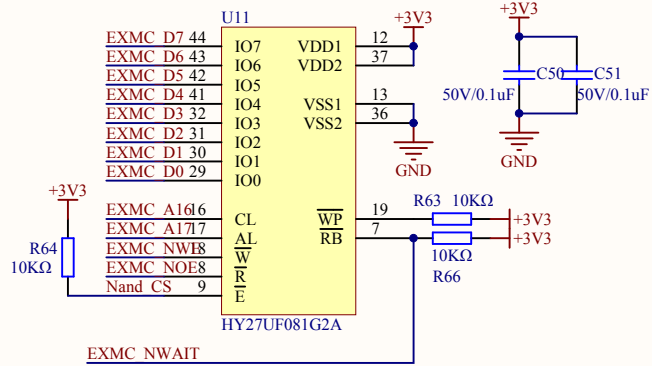


Short P4(1,2) for I2C1 function
Short P4(2,3) for CAN2 function

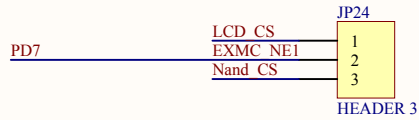
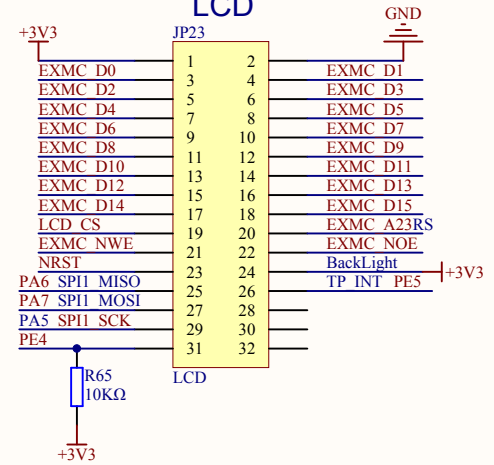


Company Name: GigaDevice		
File Name: CAN		
Revision: 1.0	Data: 2013-7-24	Author: XuFei

Nand Flash



LCD



PD0,PD1 are AFIOs, please refer to CAN schematic for right config

PD14	EXMC D0	PD11	EXMC A16
PD15	EXMC D1	PD12	EXMC A17
PD0	EXMC D2	PE2	EXMC A23
PD1	EXMC D3	PD4	EXMC NOE
PE7	EXMC D4	PD5	EXMC NWE
PE8	EXMC D5	PD6	EXMC NWAIT
PE9	EXMC D6		
PE10	EXMC D7		
PE11	EXMC D8		
PE12	EXMC D9		
PE13	EXMC D10		
PE14	EXMC D11		
PE15	EXMC D12		
PD8	EXMC D13		
PD9	EXMC D14		
PD10	EXMC D15		

Company Name: GigaDevice

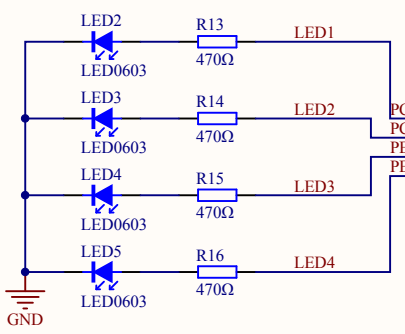
File Name: EXMC

Revision: 1.0

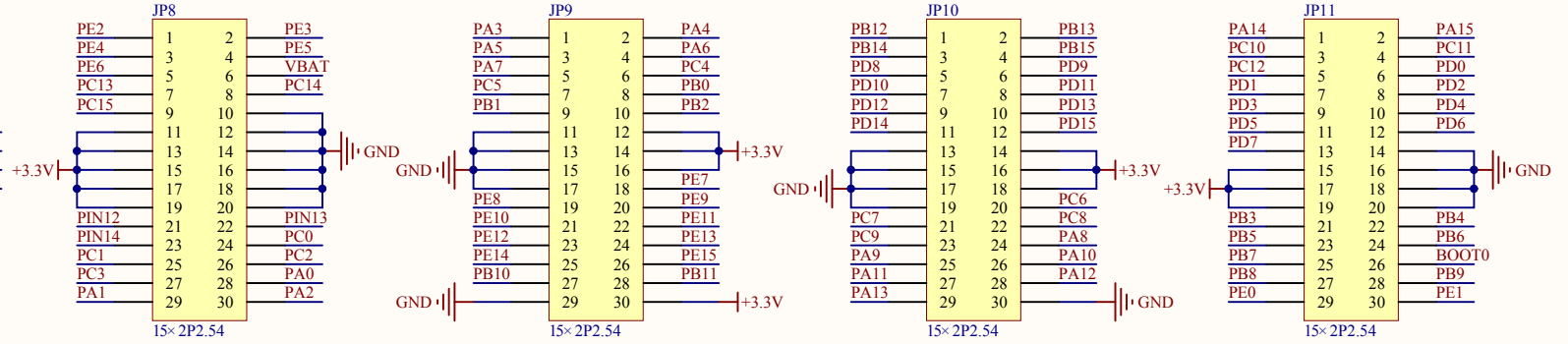
Data: 2013-8-20

Author: XuFei

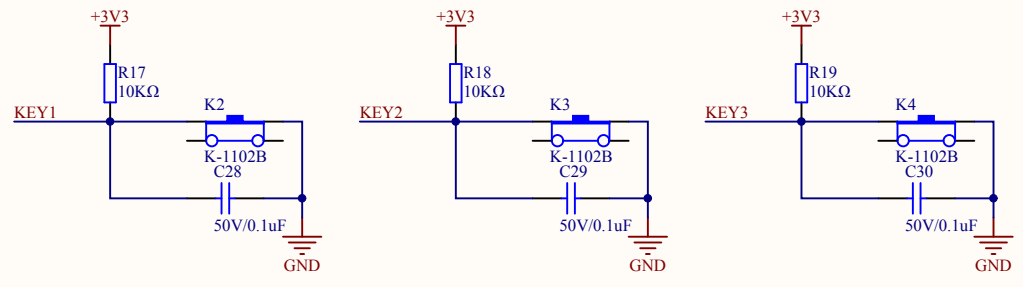
LED



Extension Pin



KEY



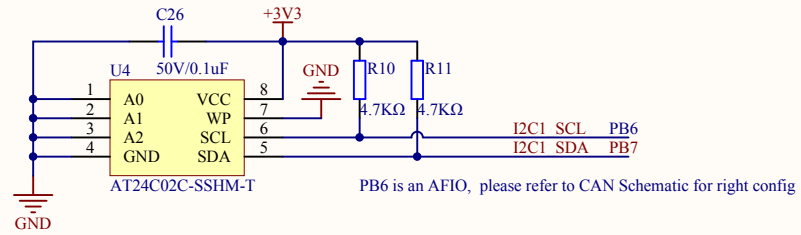
- PA0 KEY1
- PC13 KEY2
- PB14 KEY3

Company Name: GigaDevice

File Name: Extension

Revision: 1.0 Data: 2013-8-20 Author: XuFei

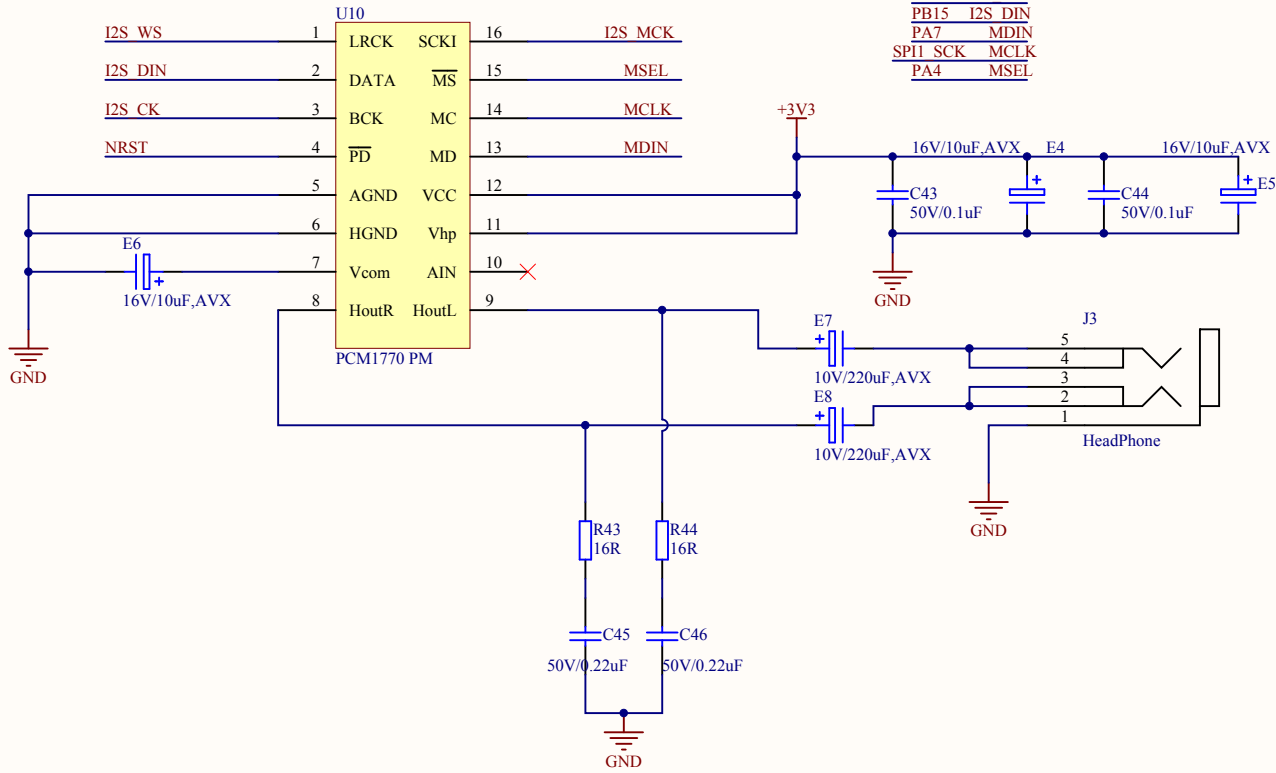
I2C



Company Name: GigaDevice		
File Name: I2C_SMbus		
Revision: 1.0	Data: 2013-8-20	Author: XuFei

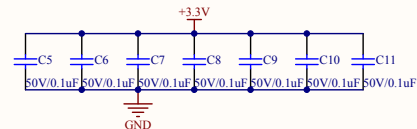
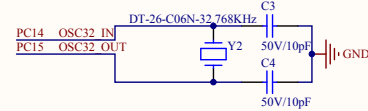
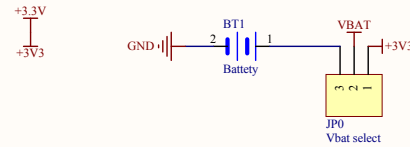
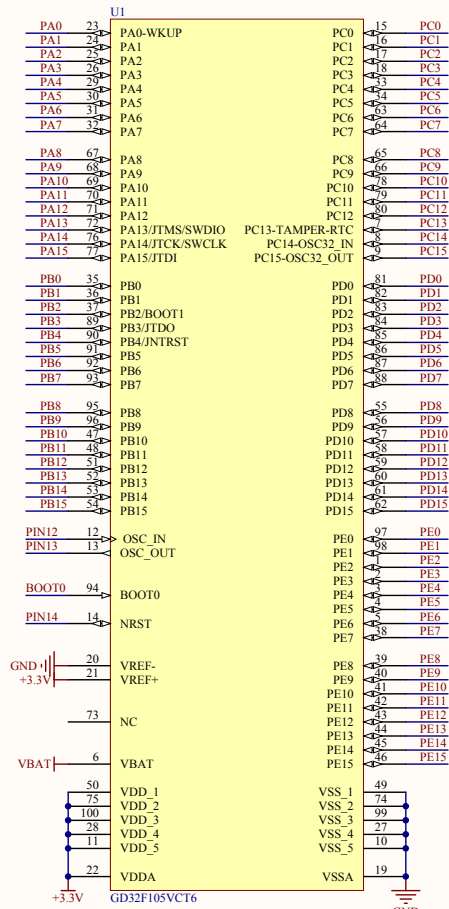
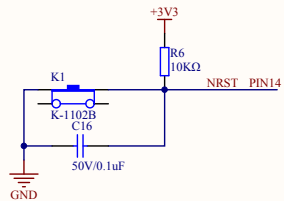
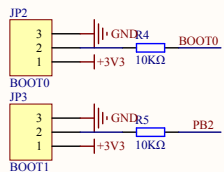
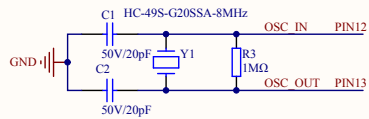
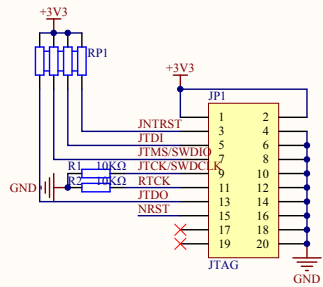
I2S

- PC6 I2S MCK
- PB12 I2S WS
- PB13 I2S CK
- PB15 I2S DIN
- PA7 MDIN
- SPI1 SCK MCLK
- PA4 MSEL

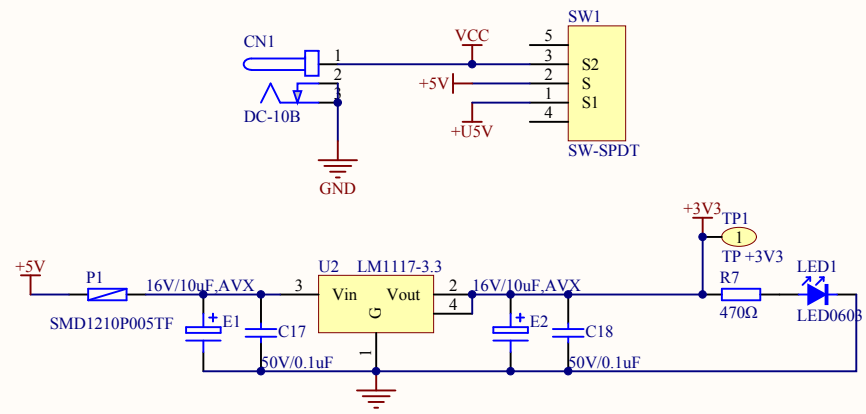


Company Name: GigaDevice		
File Name: I2S		
Revision: 1.0	Data: 2013-7-23	Author: Lixin

JNTRST	PB4
JTDI	PA15
JTMS/SWDIO	PA13
JTCK/SWDCLK	PA14
JTDO	PB3



Company Name: GigaDevice		
File Name: MCU		
Revision: 1.0	Date: 2013-8-20	Author: XuFei



Company Name: GigaDevice

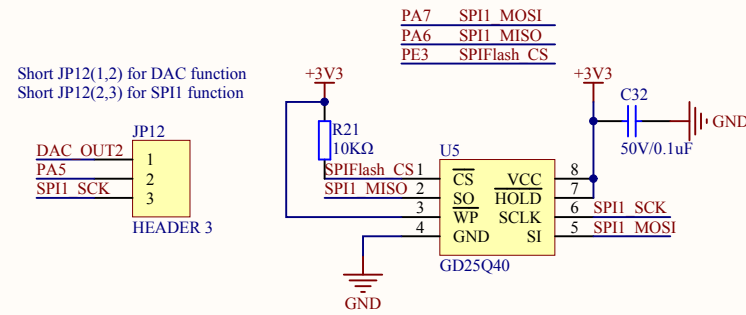
File Name: Power

Revision: 1.0

Data: 2013-8-20

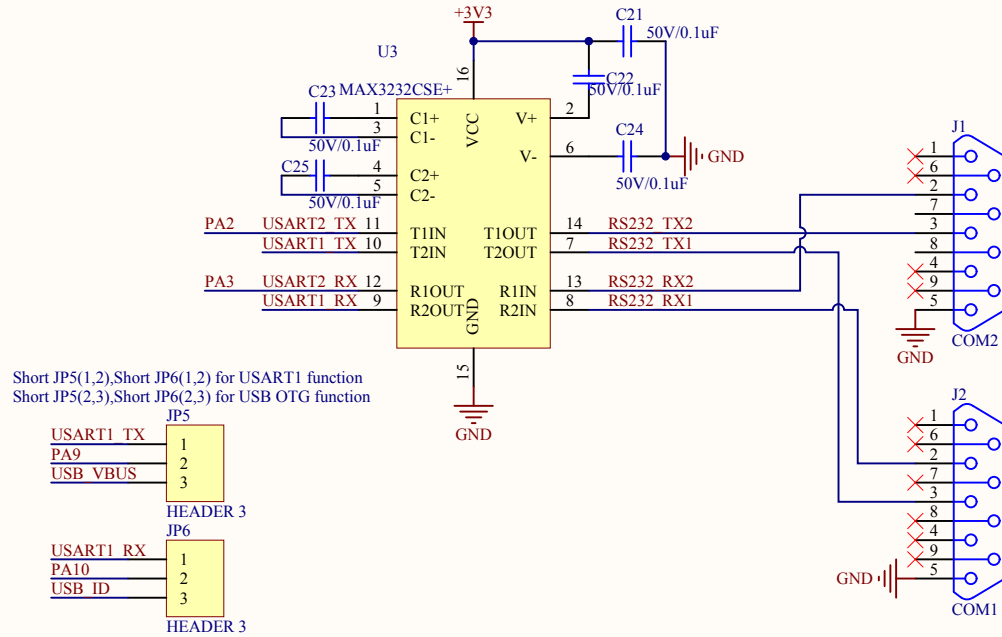
Author: XuFei

SPI Flash

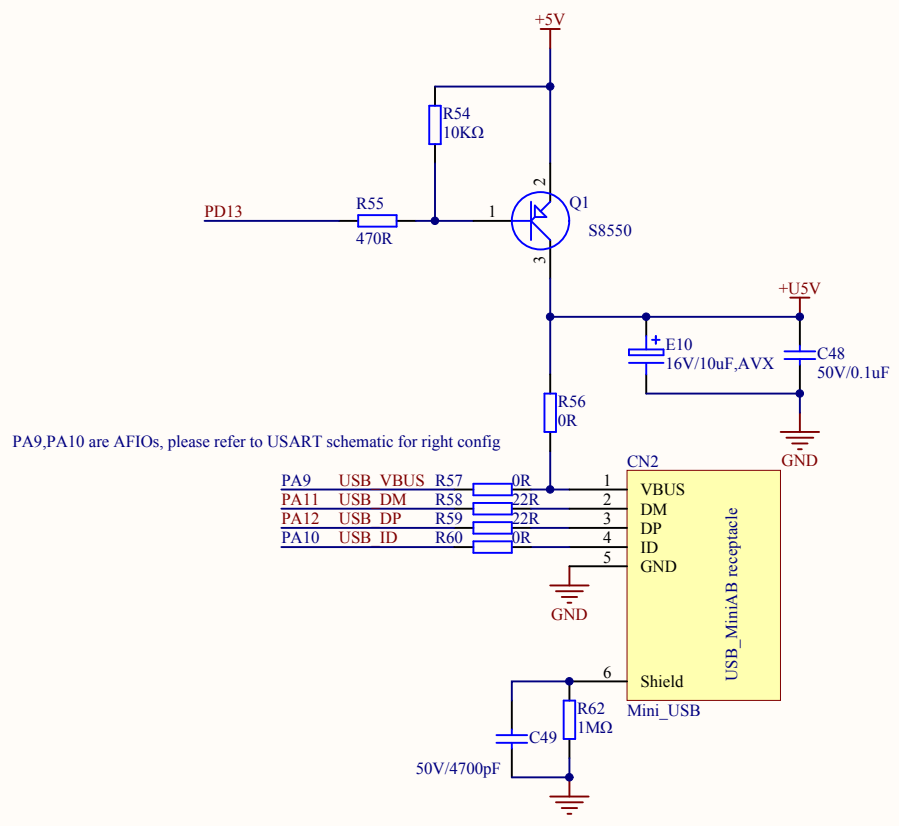


Company Name: GigaDevice		
File Name: SPI		
Revision: 1.0	Data: 2013-8-20	Author: XuFei

USART1/USART2



Company Name: GigaDevice		
File Name: USART		
Revision: 1.0	Data: 2013-8-20	Author: XuFei



Company Name: GigaDevice		
File Name: USB_OTG		
Revision: 1.1	Data: 2013.9.10	Author: Xufei

